

brother®

P-touch

PARTS REFERENCE LIST

MODEL: PT-80

MECHANISMS & ELECTRONICS

NOTES FOR USING THIS PARTS REFERENCE LIST

1. When ordering parts, inform us of the following items:

- (1) Code
- (2) Q'ty
- (3) Description
- (4) Symbol (PCB No., Revision, and Parts location mounted on the PCB.)

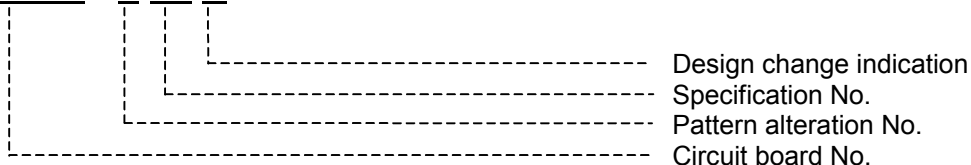
Note : Orders without Parts Code or Tool No. cannot be accepted.

[Example]

REF. NO.	SYMBOL	CODE	Q'TY	DESCRIPTION	REMARKS
					R

Revision No. : marked on the printed circuit board.

B55L180 - 1 01 A



2. Design-changed parts:

When the parts are design-changed, any one of the following symbols is indicated in the REMARKS column.

- CHNG#A : compatible between old and new
- CHNG#B : replaceable from old to new
- CHNG#D : incompatible
- ADD : newly added

3. Parts marked with an "R" in the REMARKS column are recommended spare parts.

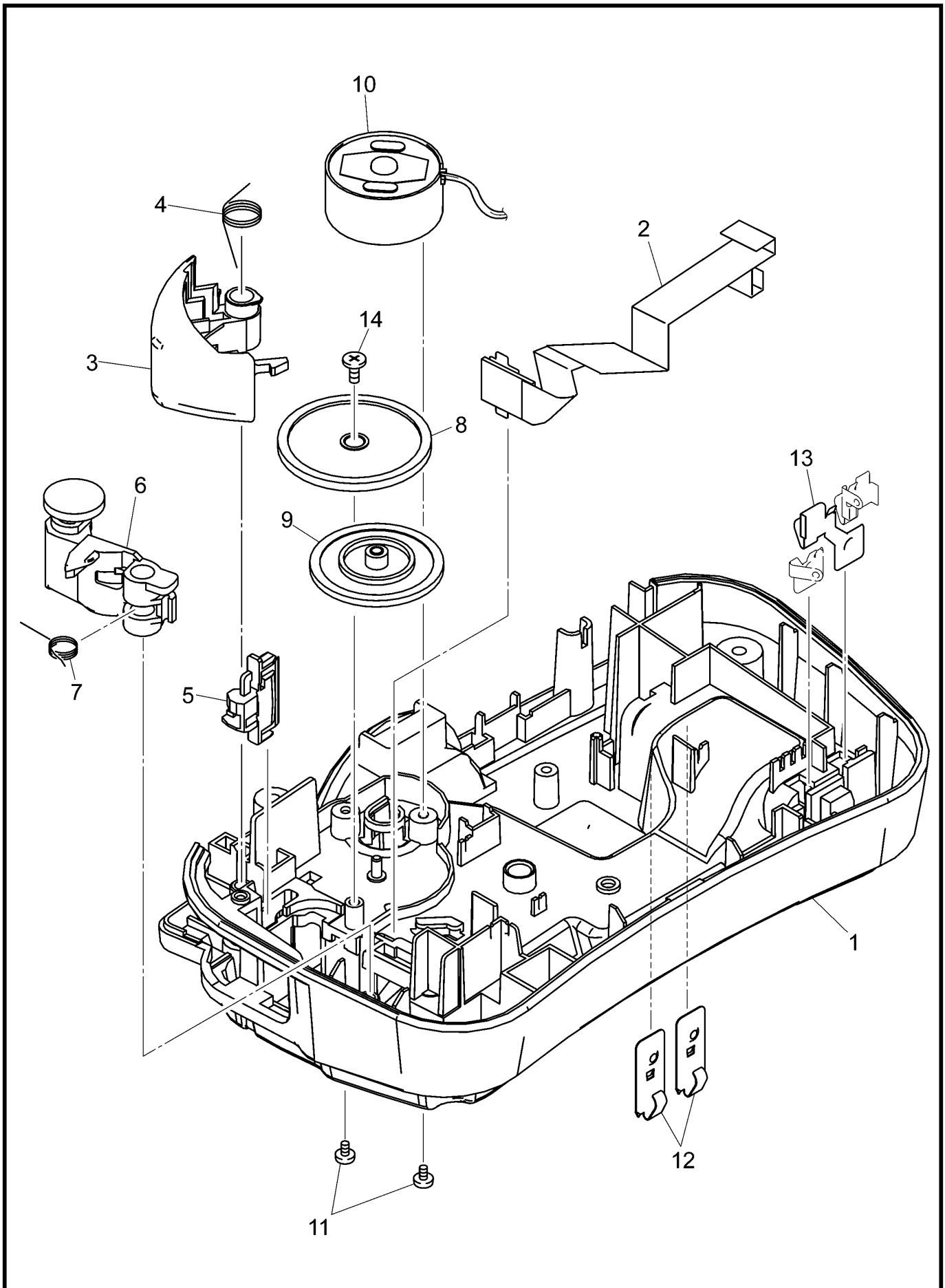
4. The original of this list was made based on the information as of March, 2006.

5. Parts are subject to change in design without prior notice.

CONTENTS

1 . PRINT MECHANISM	1
2 . COVERS	3
3 . MAIN PCB	5
4 . RUBBER KEY	7
5 . POWER SUPPLY PCB	9
6 . PRINTED MATTER	11
7 . PACKING MATERIALS	13

1. PRINT MECHANISM



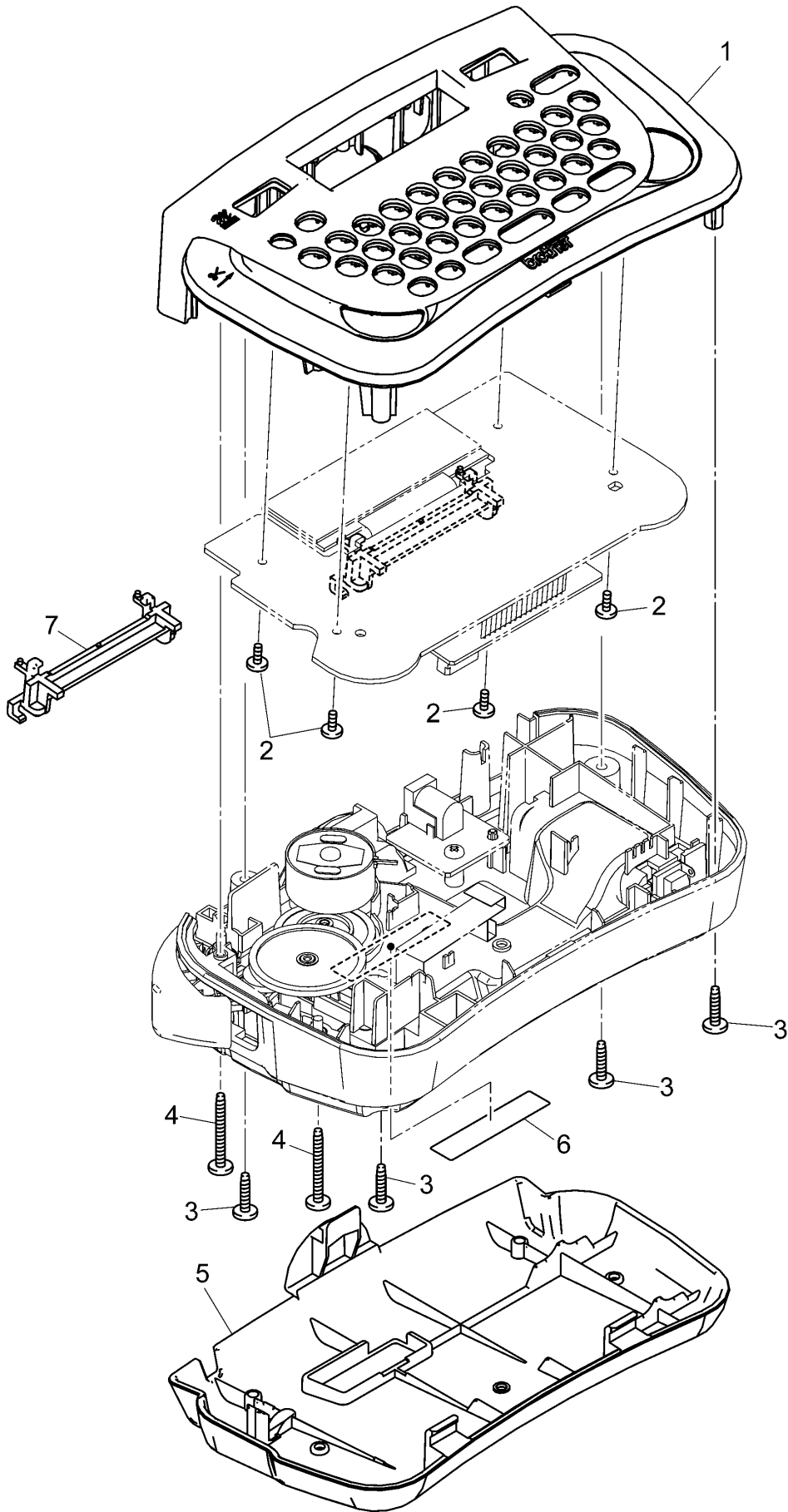
MODEL PT-80 8V2-U22-045

1 . PRINT MECHANISM

REF.NO.	CODE	Q'TY	DESCRIPTION	REMARKS
1	LN7969001	1	BOTTOM COVER PT-80	
1	LN7969002	1	BOTTOM COVER PT-80	
2	LA9601001	1	HEAD ASSY KF 2000-11	
3	LN7972001	1	CUTTER LEVER PT-80	
3	LN7972002	1	CUTTER LEVER PT-80	
4	LA9422001	1	CUTTER RELEASE SPRING	
5	LN0739001	1	CUTTER ASSY PT55	
6	LA9423001	1	ROLLER HOLDER ASSY	
7	LA9428001	1	ROLLER HOLDER RELEASE SPRING	
8	LA9429000	1	DOUBLE GEAR 1	
9	LA9430000	1	DOUBLE GEAR 2	
10	LA9604001	1	DC MOTOR ASSY	
11	UN3640001	2	SCREW, PAN 1.7X2.5	
12	LA3867000	2	BATTERY TERMINAL A (+ -)	
13	LN8011000	1	BATTERY TERMINAL PT80 (+ -)	
14	LN8054001	1	PSTAITE M2X4	

MODEL PT80 8V2-U22-045

2. COVERS



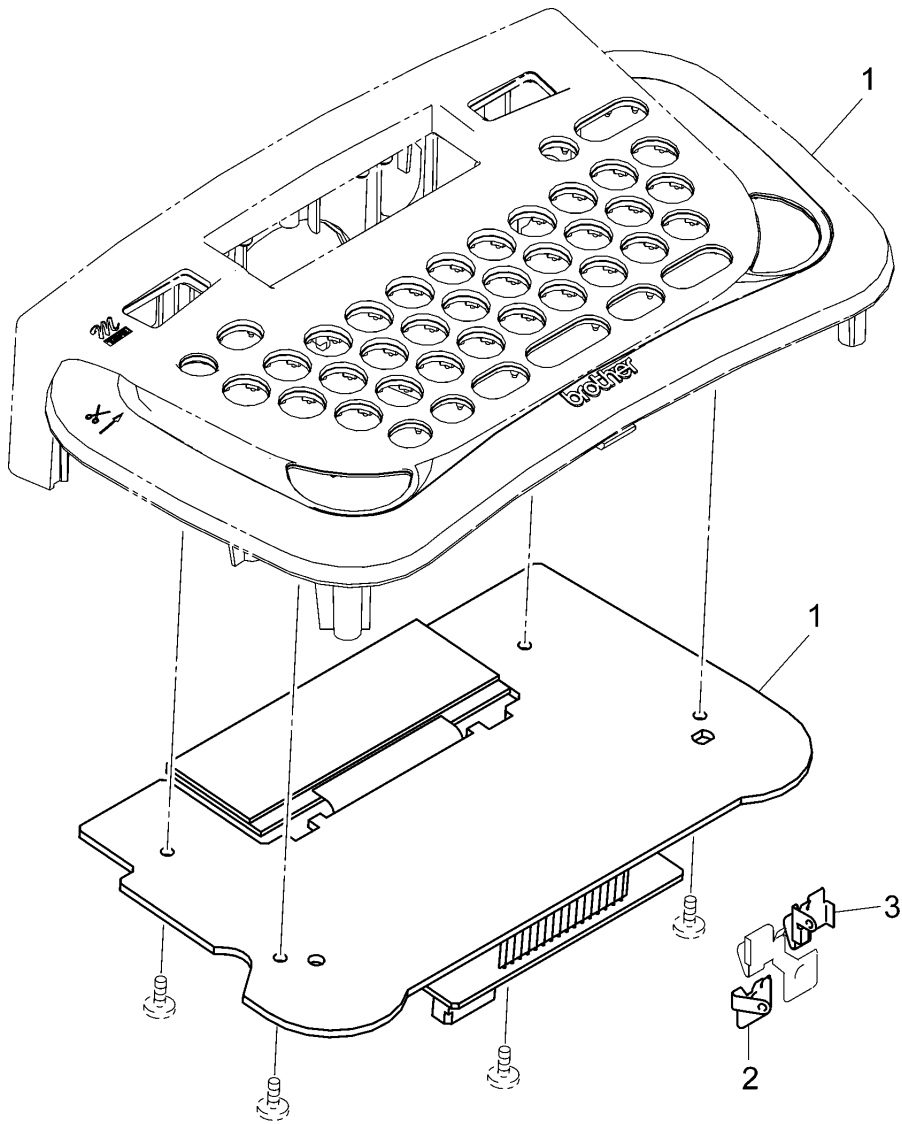
MODEL PT-80 8V2-U22-061

2 . COVERS

REF.NO.	CODE	Q'TY	DESCRIPTION	REMARKS
1	LN7971001	1	BODY COVER PT-80 US	
1	LN8056001	1	BODY COVER PT-80 EU	
2	LN8054001	4	PSTAITE M2X4	
2	LN8308001	4	PSTAITE M2X4 CH	
3	085271017	4	TAPTITE BIND B M2.6X10	
4	085272017	2	TAPTITE BIND B M2.6X20	
5	LN7970001	1	CASSETTE COVER PT-80	
5	LN7970002	1	CASSETTE COVER PT-80	
6	LN8034001	1	LCD MYLAR LABEL PT-80US	
6	LN8057001	1	LCD MYLAR LABEL PT-80EU	
7	LN7973001	1	PCB HOLDER PT-80	

MODEL PT-80 8V2-U22-061

3 . MAIN PCB



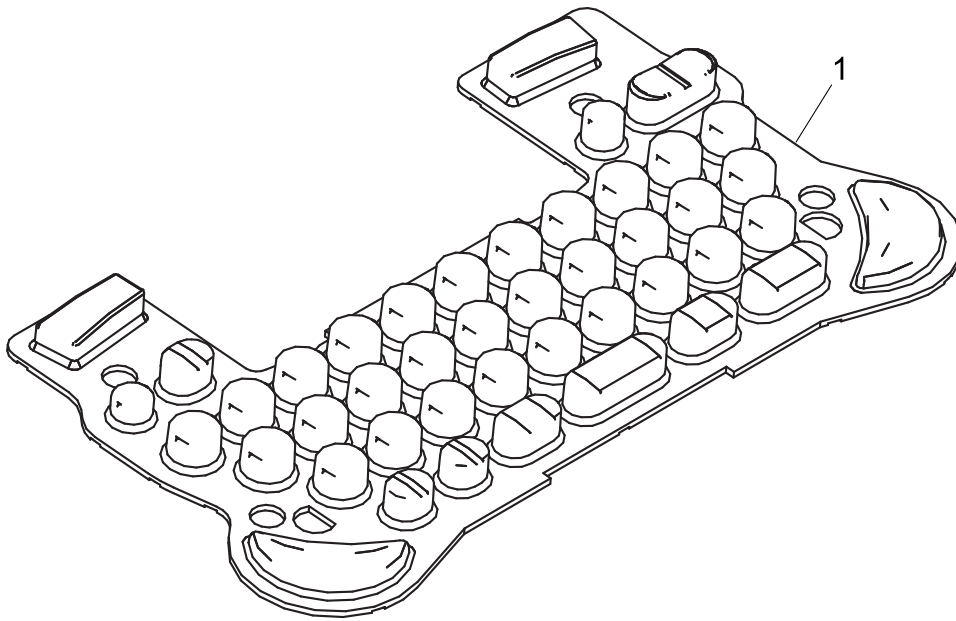
MODEL PT-80 8V2-U22-101

3 . MAIN PCB

REF.NO.	SYMBOL	CODE	Q'TY	DESCRIPTION	REMARKS
1		LN8042001	1	MAIN PCB ASSY PT-80	
1		LN8042003	1	MAIN PCB ASSY PT-80	
1		LN8042002	1	MAIN PCB ASSY PT-80	
1		LN8042004	1	MAIN PCB ASSY PT-80	
1		LN8042006	1	MAIN PCB ASSY PT-80	
1		LN8042005	1	MAIN PCB ASSY PT-80	
1		LN8042007	1	MAIN PCB ASSY PT-80	
1		LN8236001	1	MAIN PCB ASSY PT-80HS	
2		LN8049001	1	BATTERY HARNESS 80P	
3		LN8050001	1	BATTERY HARNESS 80M	

MODEL PT-80 8V2-U22-101

4 . RUBBER KEY

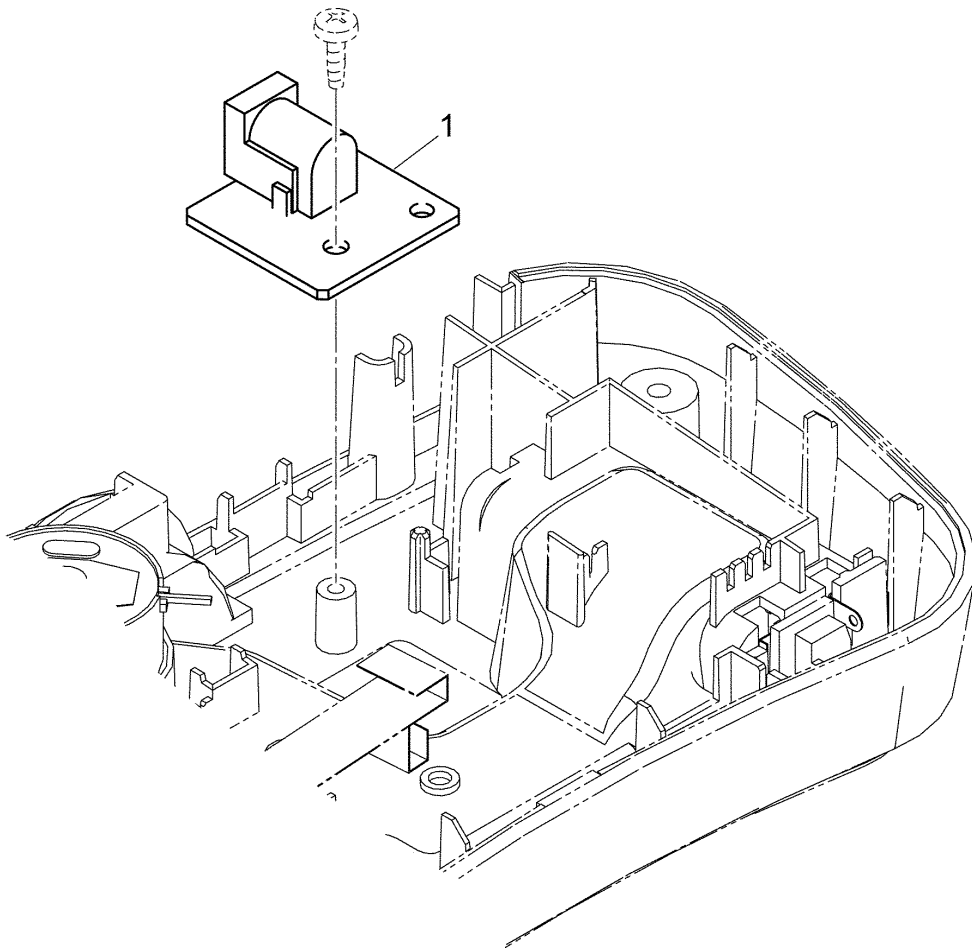


4 . RUBBER KEY

REF.NO.	CODE	Q'TY	DESCRIPTION	REMARKS
1	LN7968001	1	RUBBER 45 KEY PT-80 US	
1	LN8068001	1	RUBBER 45 KEY PT-80 DEU	
1	LN8055001	1	RUBBER 45 KEY PT-80 GBR	
1	LN8072001	1	RUBBER 45 KEY PT-80 FRA	

MODEL PT-80 8V2-U22-003

5 . POWER SUPPLY PCB



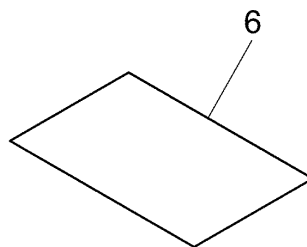
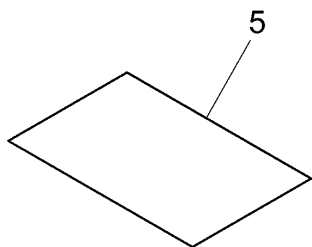
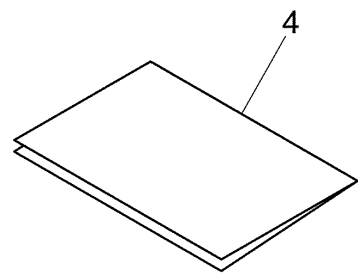
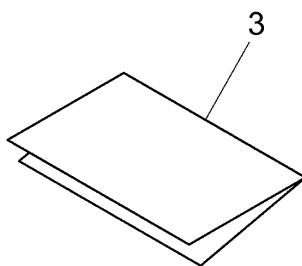
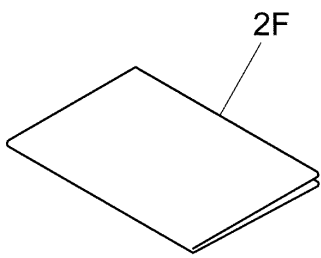
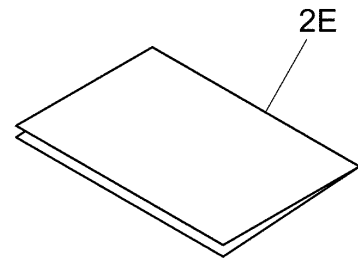
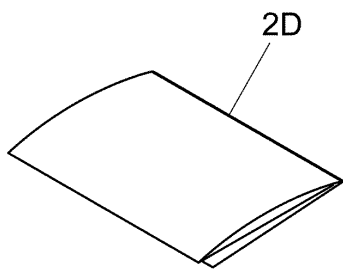
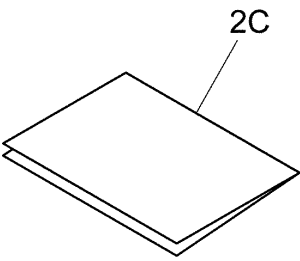
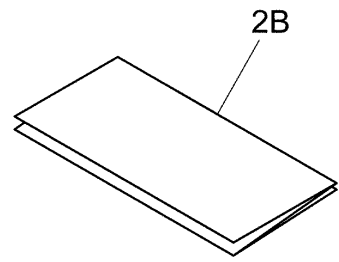
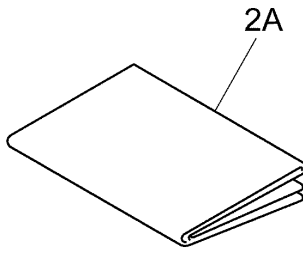
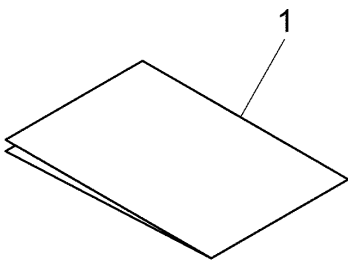
MODEL PT-80 8V2-U22-102

5 . POWER SUPPLY PCB

REF.NO.	SYMBOL	CODE	Q'TY	DESCRIPTION	REMARKS
1		LN8063001	1	JACK PCB ASSY PT-80	

MODEL PT-80 8V2-U22-102

6 . PRINTED MATTER

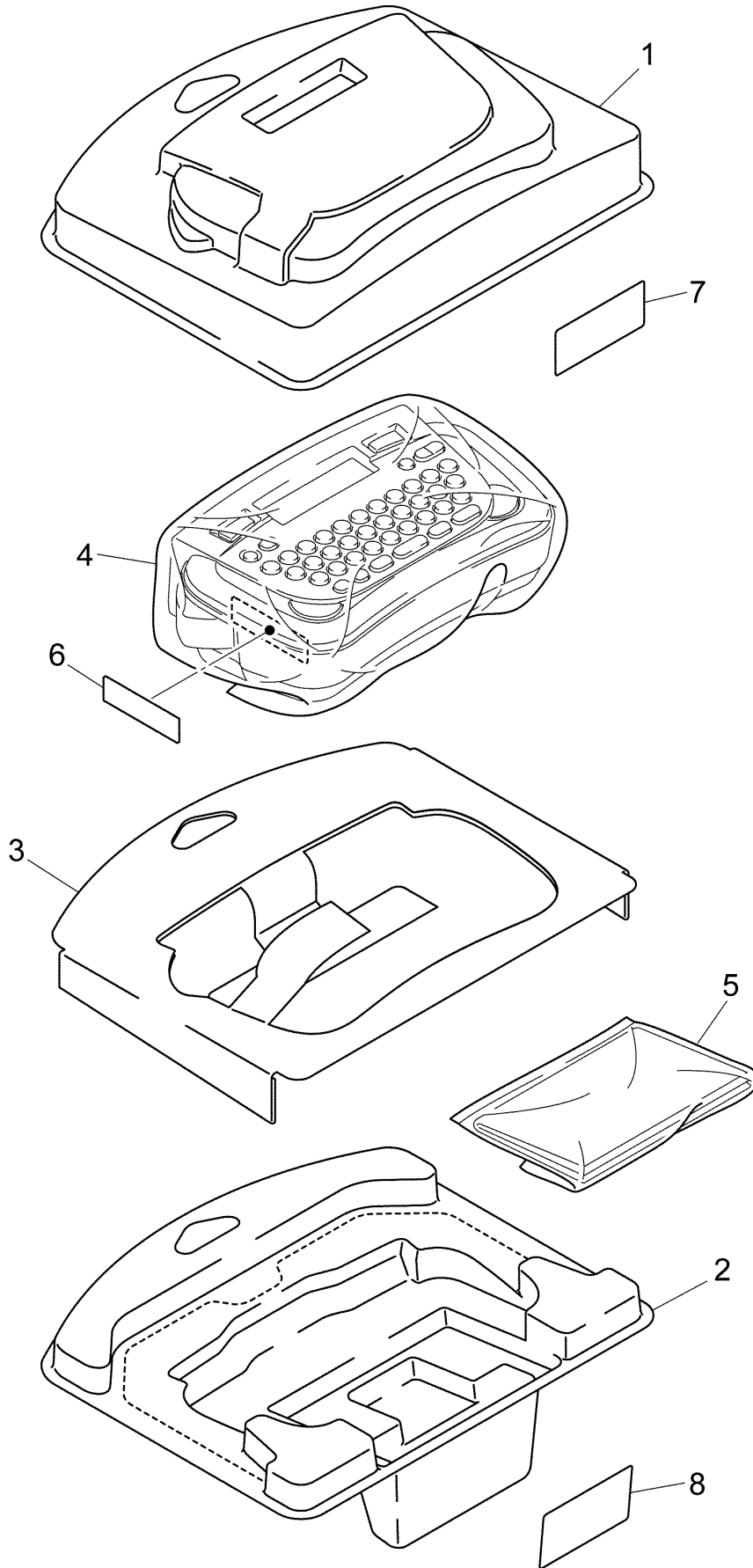


6 . PRINTED MATTER

REF.NO.	SYMBOL	CODE	Q'TY	DESCRIPTION	REMARKS
1		LN8296001	1	USER'S MANUAL PT-80 DEU	
1		LN8291001	1	USER'S MANUAL PT-80 GBR	
1		LN8297001	1	USER'S MANUAL PT-80 FRA/DUT	
1		LN8299001	1	USER'S MANUAL PT-80 NOR	
1		LN8300001	1	USER'S MANUAL PT-80 SWE/DAN	
1		LN8298001	1	USER'S MANUAL PT-80 SPA/POR	
1		LN8233001	1	USER'S MANUAL PT-80 USA/SPA	
1		LN9049001	1	USER'S MANUAL PT-80 AUS	
1		LN8301001	1	USER'S MANUAL PT-80 ITA/CHE.GER	
1		LN8490001	1	USER'S MANUAL PT-80 CAN ENG/FRA	
2		UH3851001	1	WARRANTY CARD EUR	
2		LM4756001	1	WARRANTY CARD IRE	
2		LM2019001	1	WARRANTY CARD SWE/NOR	
2		LJ5400001	1	WARRANTY CARD SPA	
2		LN9325001	1	WARRANTY CARD USA CH	
2		UN8607002	1	WARRANTY CARD CAN.E/F	
3		LN6297001	1	REGISTER INSERTION US CH	
4		LN7686001	1	ACCESSORY ORDER FORM USA	
5		LN8469001	1	UNPACKING INSTRUCTION PT-80	
6		LN8491001	1	LEGEND LABEL PT-80	

MODEL PT-80 8V2-U22-920

7 . PACKING MATERIALS



MODEL PT-80 8V2-U22-930

7 . PACKING MATERIALS

REF.NO.	SYMBOL	CODE	Q'TY	DESCRIPTION	REMARKS
1		LN8036000	1	UPPER PACK SHELL PT-80	
2		LN8037001	1	LOWER PACK SHELL PT-80	
3		LN8038001	1	COMMERCIAL SHEET PT-80 USA	
3		LN8058001	1	COMMERCIAL SHEET PT-80 EU	
3		LN8492001	1	COMMERCIAL SHEET PT-80 CAN	
3		LN9050001	1	COMMERCIAL SHEET PT-80 AUS	
4		LA6866001	1	BAG 130X250	
5		LA5898001	1	BAG 90X175	
6		LA9999001	1	PLATEN PROTECT PAD	
7		LN6939001	1	AUSTRIA LABEL SMALL	
8		UN8891001	1	C-TICK MARK	
9		LA6041001	1	SECURITY TAG	

MODEL PT-80 8V2-U22-930

brother®

March, 2006
8V2U22
Printed in Japan