

brother[®]

PARTS REFERENCE LIST

MODEL: PT-9200PC (For U.S.A./Canada)

MECHANISMS & ELECTRONICS

NOTES FOR USING THIS PARTS REFERENCE LIST

1. In the case of ordering parts, it needs mentioning the following items:

- (1) Code
- (2) Q'ty
- (3) Description
- (4) Symbol (PCB No., Revision , and Parts location mounted on the PCB.)

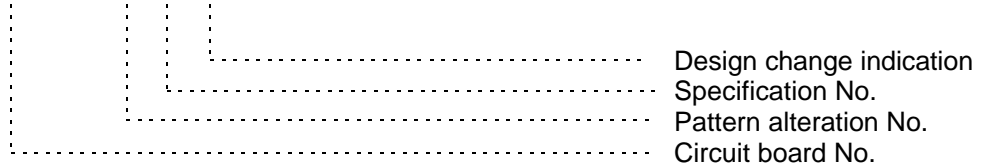
Note : No orders without Parts Code or Tool No. can be accepted.

[Example]

REF. NO.	SYMBOL	CODE	Q'TY	DESCRIPTION	REMARKS
	(4) ⋮	(1) ⋮	(2) ⋮	(3) ⋮	

Revision No. : marked on the printed circuit board.

B48J300 - 1 01 A



2. Design-changed parts:

When the parts are changed, any one of the following symbols is indicated in the REMARKS column.

- CHNG#A : compatible between old and new
- CHNG#B : replaceable from old to new
- CHNG#D : incompatible
- ADD : newly established

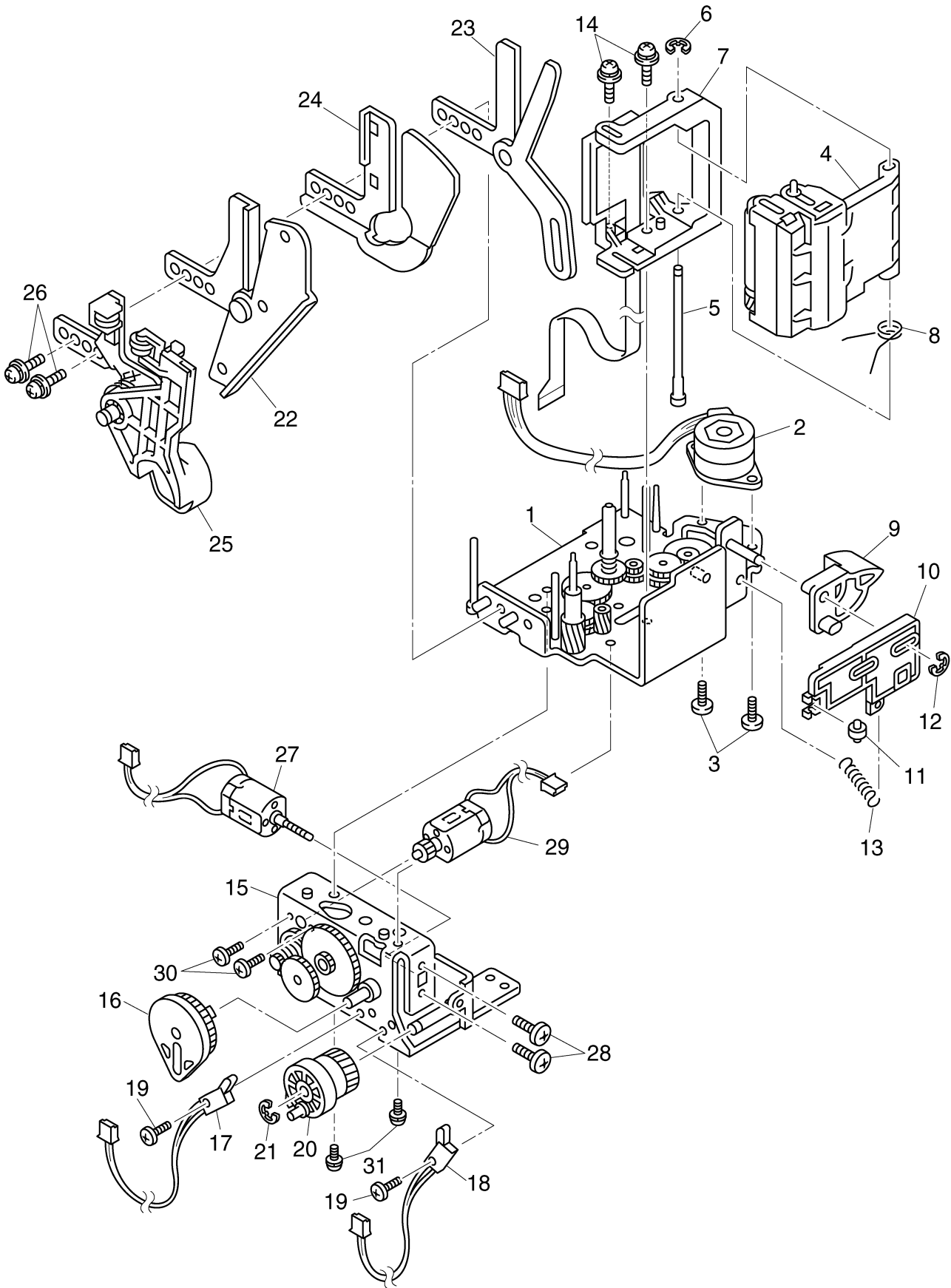
3. The original of this list was made based on the information available in August, 1998.

4. Parts are subject to change in design without prior notice.

CONTENTS

1 . PRINT MECHANISM	1
2 . COVERS	3
3 . MAIN PCB	5
4 . DETECTORS.....	7
5 . POWER SUPPLY PCB.....	7
6 . ATTACHMENTS.....	9
7 . PRINTED MATTERS	9
8 . PACKING MATERIALS.....	11

1 . PRINT MECHANISM



MODEL PT-9200PC 5V2-601-045

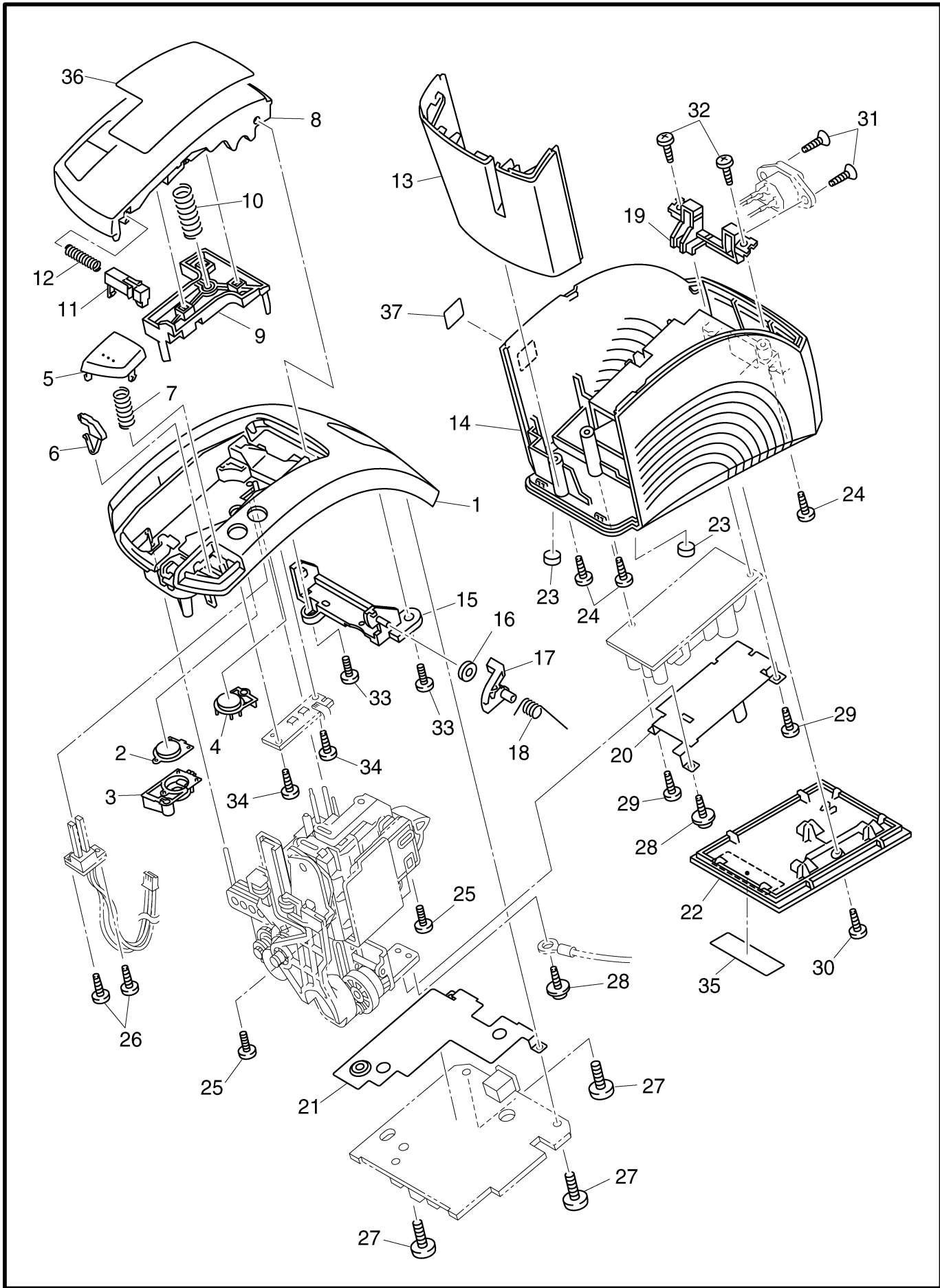
1 . PRINT MECHANISM

PT98039

REF.NO.	CODE	Q'TY	DESCRIPTION	REMARKS
1	UT0859001	1	MAIN FRAME PP ASSY	
2	Z26576001	1	TAPE FEED MOTOR, BP242516M08	
3	UB3848001	2	SCREW, PAN M2.6X3.5	
4	UT0886001	1	ROLLER HOLDER ASSY PP	
5	UT0895001	1	ROLLER HOLDER SHAFT	
6	048025346	1	RETAINING RING, E2.5	
7	UT0591001	1	HEAD ASSY KSH384 BW (SP)	
8	UT0901001	1	ROLLER HOLDER RELEASE SPRING	
9	UT0902001	1	RELEASE CAM	
10	UT0903001	1	ROLLER RELEASE ROD	
11	UB5507000	1	RELEASE ROD ROLLER	
12	048025346	1	RETAINING RING, E2.5	
13	UT0872001	1	RELEASE LEVER SPRING PP	CHNG#A
14	0A4301005	2	SCREW, PAN (S/P WASHER) M3X10	
15	UT0904001	1	HALF FRAME ASSY	
16	UT0917001	1	HALF ROCK GEAR	
17	UT0958001	1	HALF CUTTER SENSOR ASSY	
18	UT0961001	1	FULL CUTTER SENSOR ASSY	
19	UT0855001	2	SCREW, PAN M1.7X6	
20	UT0918001	1	CUTTER HELICAL GEAR ASSY	
21	048040346	1	RETAINING RING, E4	
22	UT0921001	1	HALF CUTTER ASSY	
23	UT0929001	1	CUTTER ASSY PP	
24	UT0932001	1	HALF SPACER	
25	UT1401001	1	EJECT UNIT ASSY	
26	0A4401205	2	SCREW, PAN (S/P WASHER) M4X12	
27	UT0933001	1	FULL CUTTER MOTOR ASSY	
28	UB3848001	2	SCREW, PAN M2.6X3.5	
29	UT0934001	1	HALF CUTTER MOTOR ASSY	
30	UB3848001	2	SCREW, PAN M2.6X3.5	
31	0A3300605	2	SCREW, PAN WASHER M3X6D	

MODEL PT-9200PC 5V2-601-045

2. COVERS

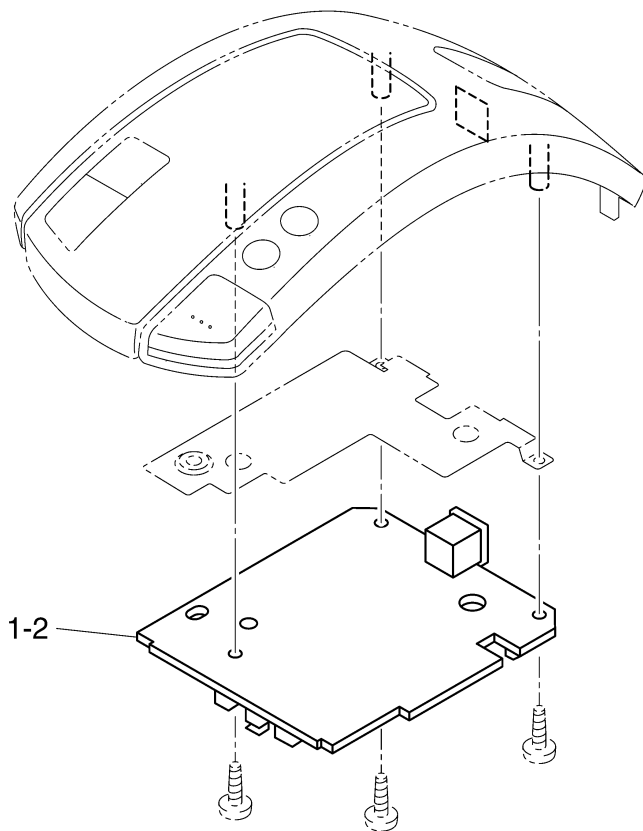
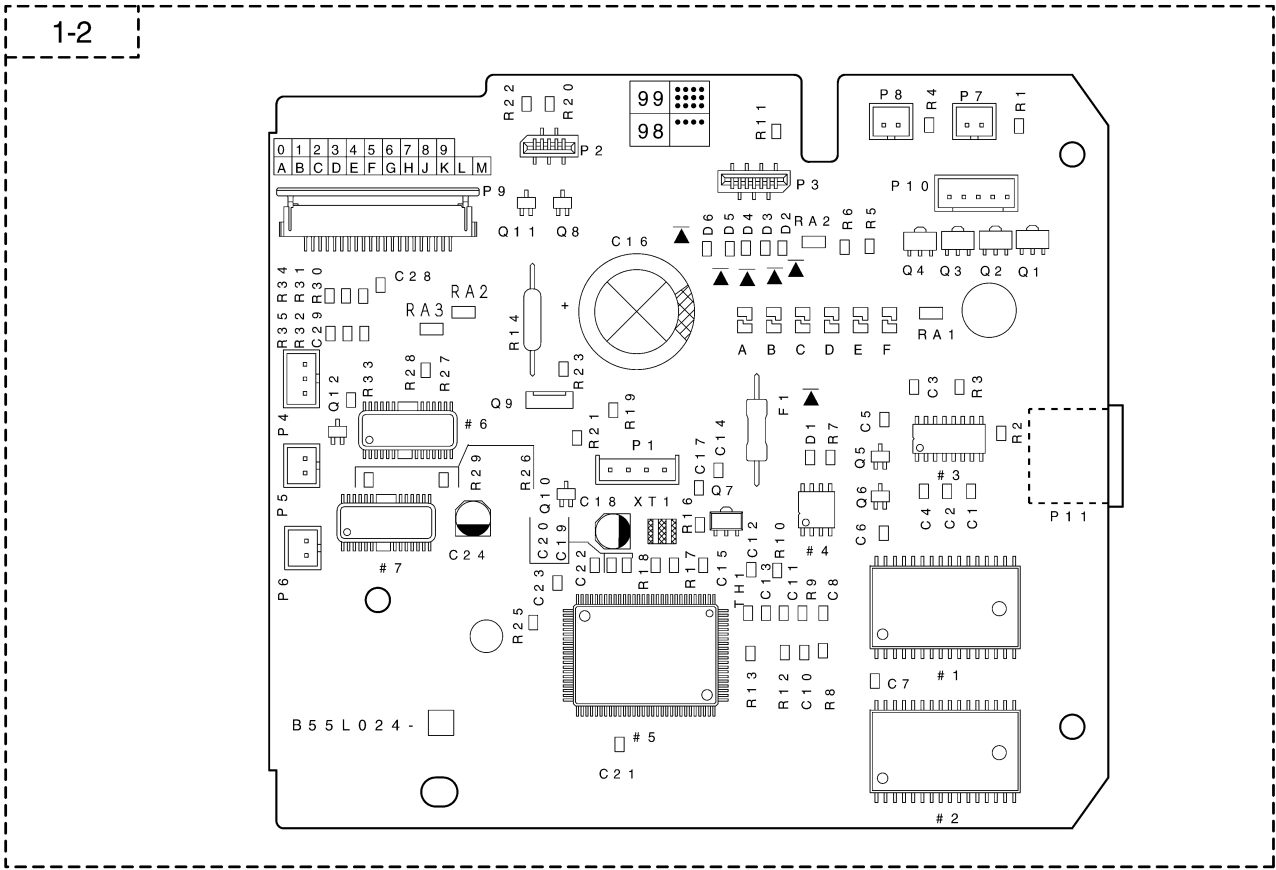


MODEL PT-9200PC 5V2-601-061

2 . COVERS

REF.NO.	CODE	Q'TY	DESCRIPTION	REMARKS
1	UT0936001	1	BODY COVER PP US, GRAY1395	
2	UT0937001	1	POWER SUPPLY SWITCH BUTTON	
3	UT0938001	1	POWER SUPPLY ACTUATOR	
4	UT0939001	1	CUT FEED BUTTON, BLUE6189	
5	UT0940001	1	COVER LOCK BUTTON, GRAY1395	
6	UT0941001	1	COVER BUTTON ACTUATOR	
7	UT0942001	1	LOCK LEVER SPRING	
8	UT0943001	1	CASSETTE COVER PP US, GRAY1463	
9	UT0944001	1	CASSETTE PRESSER, GRAY1395	
10	UT0945001	1	CASSETTE SPRING	
11	UT0995001	1	COVER LOCK ACTUATOR, GRAY1395	
12	UT0996001	1	COVER LOCK SPRING	
13	UT0946001	1	FRONT COVER PP US, GRAY1395	
14	UT0947001	1	BOTTOM COVER PP US, GRAY1395	
15	UT0948001	1	CASSETTE COVER BRACKET, GY1395	
16	UT0997001	1	DAMPER RUBBER	
17	UT0998001	1	COVER OPEN CAM	
18	UT0949001	1	COVER OPEN SPRING	
19	UT0951001	1	INLET BRACKET	
20	UT0952000	1	SHIELD PLATE B	
21	UT0953000	1	SHIELD PLATE A	
22	UT0955001	1	LOWER COVER, GRAY1395	
23	UB4431001	2	LOWER FOOT	
24	085271017	3	TAPTITE, BIND B M2.6X10	
25	085270815	2	TAPTITE, BIND B M2.6X8	
26	085270815	2	TAPTITE, BIND B M2.6X8	
27	085270815	3	TAPTITE, BIND B M2.6X8	
28	0A5400805	2	SCREW, PAN (S/P WASHER) M4X8	
29	085270815	2	TAPTITE, BIND B M2.6X8	
30	085271017	1	TAPTITE, BIND B M2.6X10	
31	084311016	2	SCREW, FLAT B M3X10	
32	085270815	2	TAPTITE, BIND B M2.6X8	
33	085270815	2	TAPTITE, BIND B M2.6X8	
34	085270815	2	TAPTITE, BIND B M2.6X8	
35	UT0555001	1	FCC LABEL (USA/CAN)	
36	UT0970001	1	MYLAR LABEL PP US (USA)	
37	UT0577001	1	TAPE CAUTION LABEL PP US (USA)	
37	UT0578001	1	TAPE CAUTION LABEL PP EU (CAN)	

3. MAIN PCB

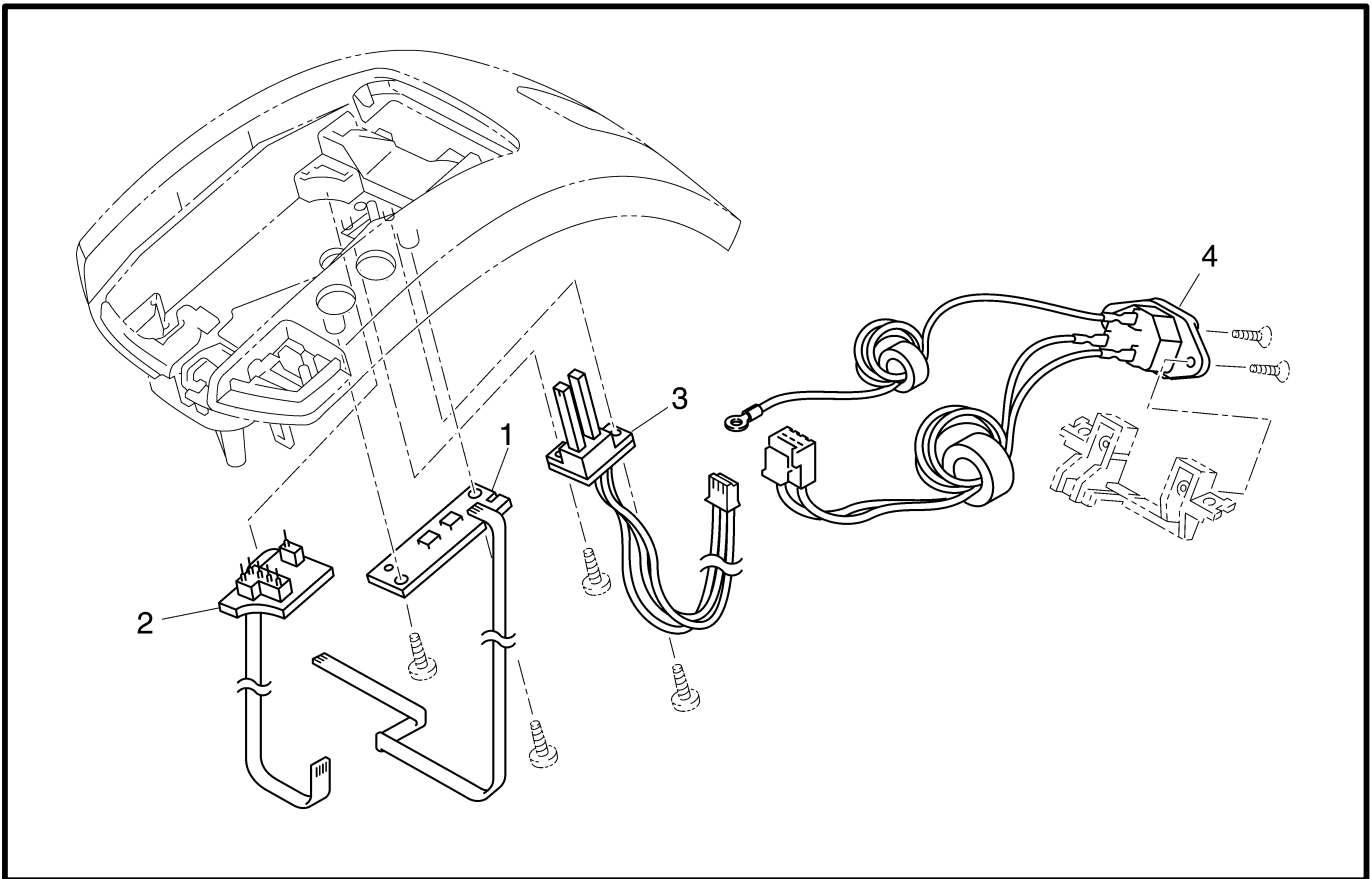


3 . MAIN PCB

REF.NO.	SYMBOL	CODE	Q'TY	DESCRIPTION	REMARKS
1-2	B55L024-1	UT0839001	1	MAIN PCB ASSY PROPC (SP)	
1	#5	UT0803001	1	MCU:M30622M8-PP	
2	#1,#2	UT0804001	2	SRAM:51008BFP55	

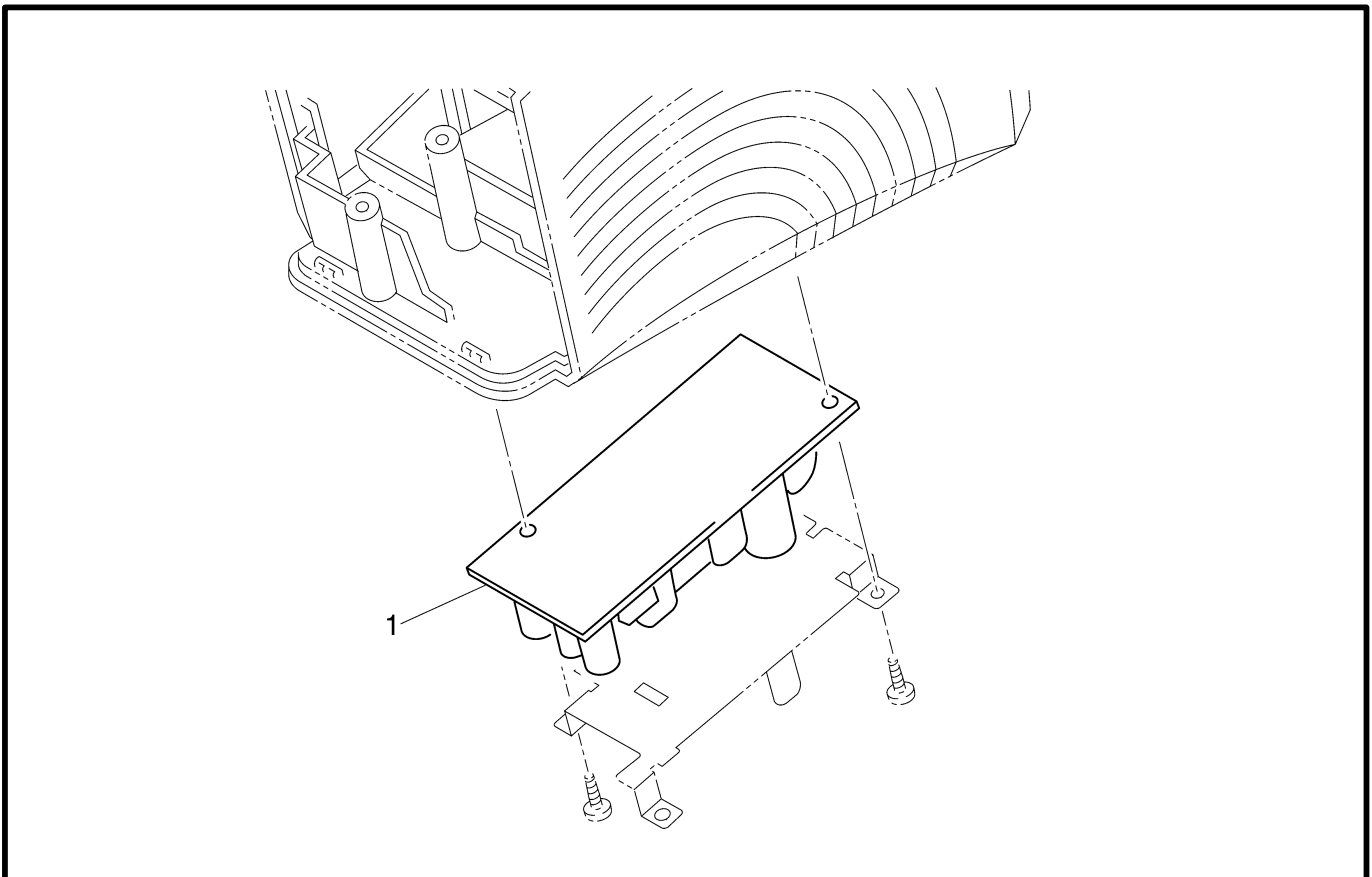
MODEL PT-9200PC 5V2-601-101

4 . DETECTORS



MODEL PT-9200PC 5V2-601-100

5 . POWER SUPPLY PCB



MODEL PT-9200PC 5V2-601-102

4 . DETECTORS

REF.NO.	SYMBOL	CODE	Q'TY	DESCRIPTION	REMARKS
1	B55L025-1	UT0840001	1	SUB PCB ASSY PROPC (SP)	
2	B55L026-1	UT0841001	1	SENSOR PCB ASSY PROPC (SP)	
3	B55L028-1	UT0842001	1	TAPE END SENSOR ASSY (SP)	
4		UT0830001	1	INLET ASSY PP	

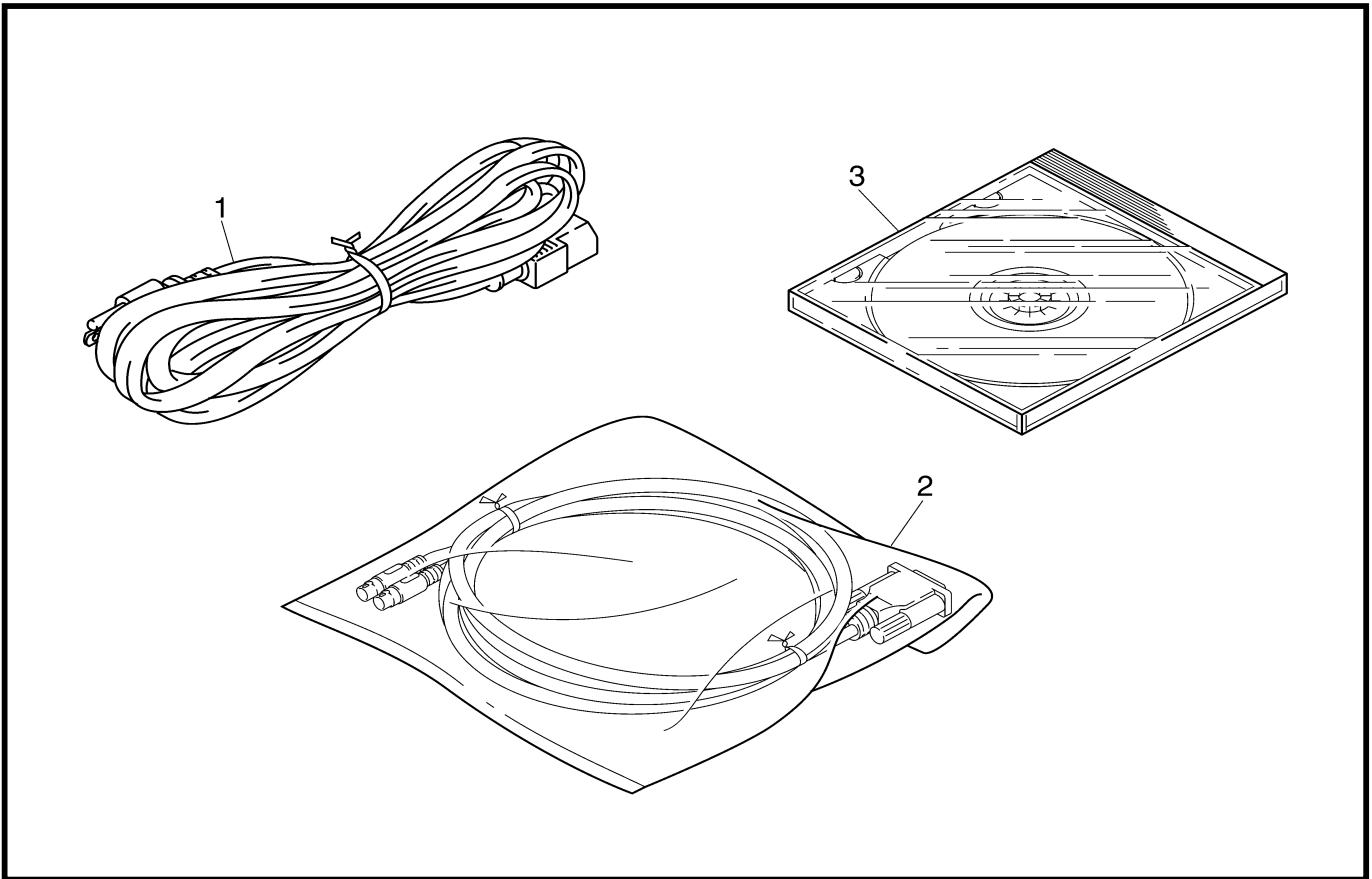
MODEL PT-9200PC 5V2-601-100

5 . POWER SUPPLY PCB

REF.NO.	SYMBOL	CODE	Q'TY	DESCRIPTION	REMARKS
1	MPW1533	UT0843001	1	PS PCB ASSY, 100-120V (SP)	

MODEL PT-9200PC 5V2-601-102

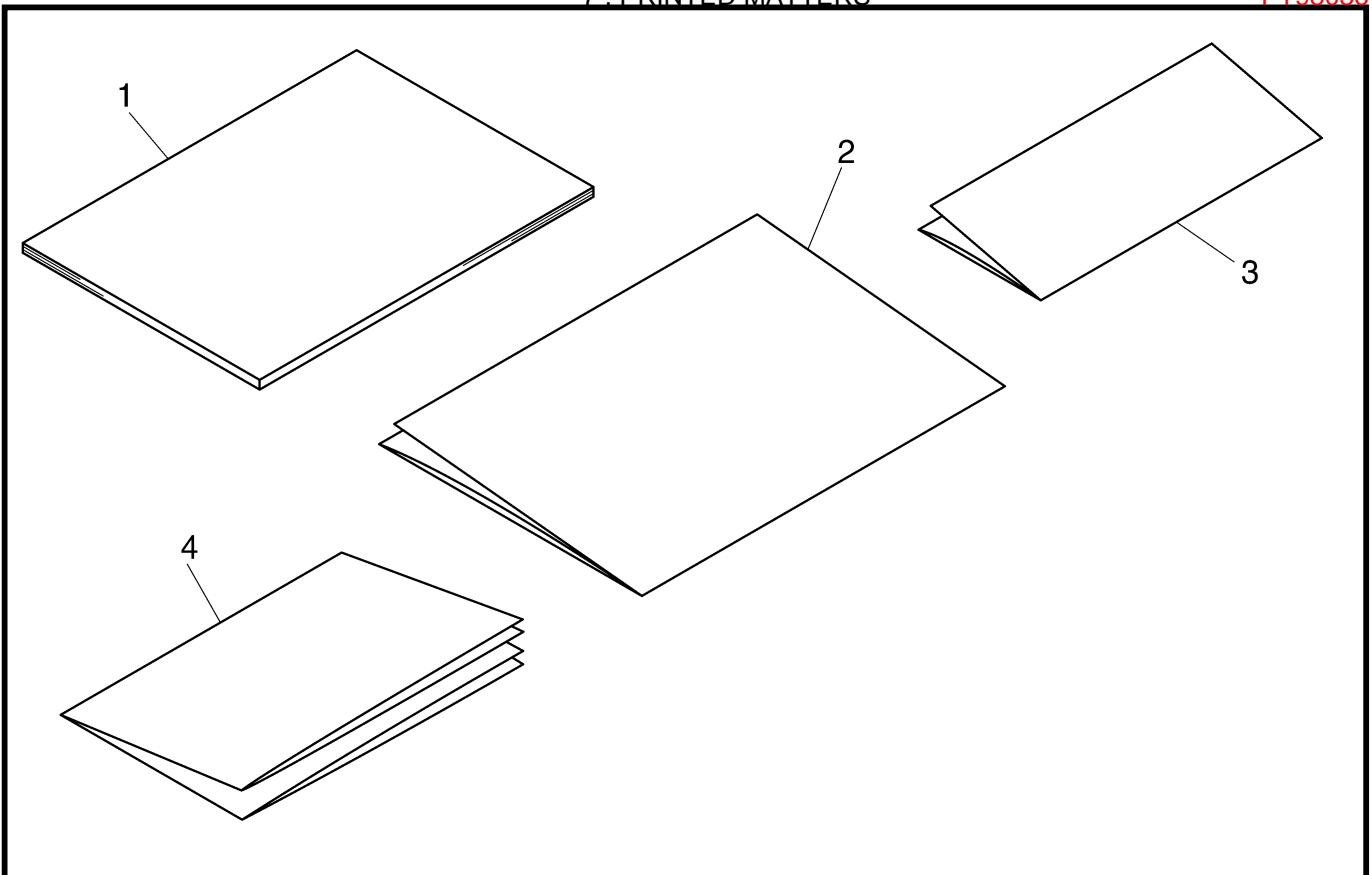
6 . ATTACHMENTS



MODEL PT-9200PC 5V2-601-910

7 . PRINTED MATTERS

PT98036



MODEL PT-9200PC 5V2-601-920

6 . ATTACHMENTS

REF.NO.	SYMBOL	CODE	Q'TY	DESCRIPTION	REMARKS
1		UH1051001	1	AC CORD, UL/CSA	
2		UN7385001	1	I/F CABLE WIN/MAC, SERIAL I/F	
3		UT0973001	1	CD-ROM ASSY PP US (USA)	
3		UT0559001	1	CD-ROM ASSY PP CA (CAN)	

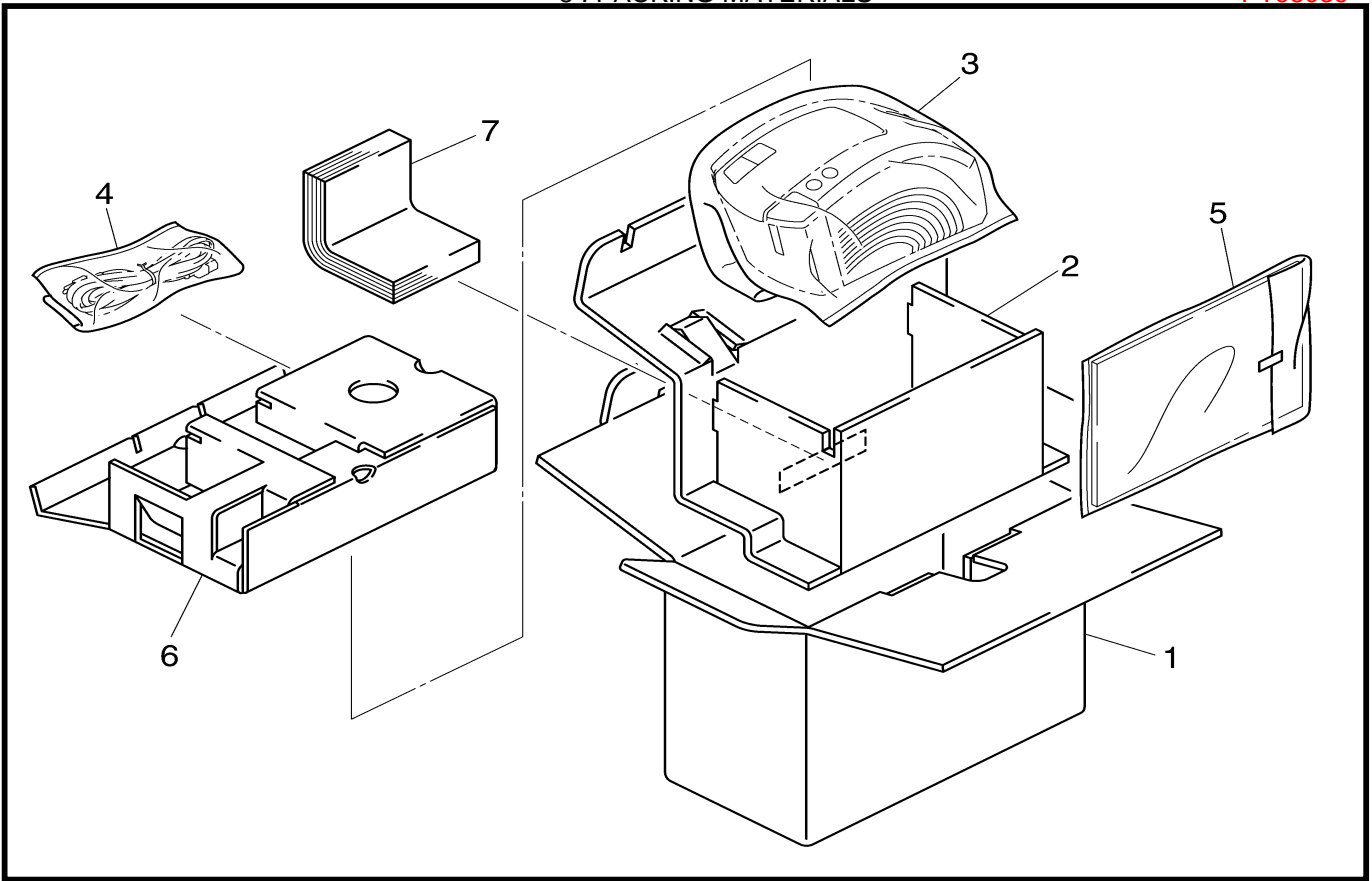
MODEL PT-9200PC 5V2-601-910

7 . PRINTED MATTERS

PT98036

REF.NO.	SYMBOL	CODE	Q'TY	DESCRIPTION	REMARKS
1		UT0975001	1	USER'S MANUAL PP, USA.ENGLISH (USA)	
1		UT0557001	1	USER'S MANUAL PP CA, CAN.E/F (CAN)	
2		UT0977001	1	WARRANTY CARD PP, USA.ENGLISH (USA)	
2		UN8607001	1	WARRANTY CARD PP, CAN.E/F (CAN)	
3		UT0325001	1	TAPE CATALOG US (USA)	
3		UT0326001	1	TAPE CATALOG CA36 (CAN)	
4		UB4382001	1	SERVICE CENTER LIST US (USA)	

MODEL PT-9200PC 5V2-601-920



MODEL PT-9200PC 5V2-601-930

8 . PACKING MATERIALS

PT98039

REF.NO.	CODE	Q'TY	DESCRIPTION	REMARKS
1	UT0983001	1	CARTON, PT-9200PC (USA)	
1	UT0561001	1	CARTON, PT-9200PC (CAN)	
2	UT0984001	1	STYROFOAM PAD PP	
3	UT0985001	1	BAG, 250X600H (BODY)	
4	UT0594001	1	BAG, 130X350 (AC CORD)	
5	UN5224001	1	BAG, 215X360H (USER'S MANUAL)	
6	UT0596001	1	STYROFOAM PAD B	
7	UT0597001	1	CORRUPAD PP	

MODEL PT-9200PC 5V2-601-930

brother[®]

Aug., '98
5V2075BE0
Printed in Japan