

brother®

P-touch

PARTS REFERENCE LIST

MODEL: PT-9500PC

PS-9000 (OPTION)

MECHANISMS & ELECTRONICS

NOTES FOR USING THIS PARTS REFERENCE LIST

1. When ordering parts, inform us of the following items:

- (1) Code
- (2) Q'ty
- (3) Description
- (4) Symbol (PCB No., Revision, and Parts location mounted on the PCB.)

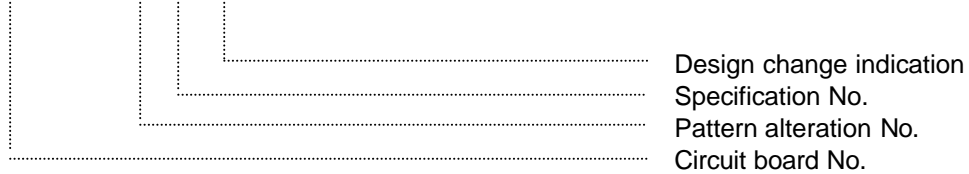
Note : Orders without Parts Code or Tool No. cannot be accepted.

[Example]

REF. NO.	SYMBOL	CODE	Q'TY	DESCRIPTION	REMARKS
					R

Revision No. : marked on the printed circuit board.

B55L155 - 1 01 A



2. Design-changed parts:

When the parts are design-changed, any one of the following symbols is indicated in the REMARKS column.

- CHNG#A : compatible between old and new
- CHNG#B : replaceable from old to new
- CHNG#D : incompatible
- ADD : newly added

3. Parts marked with an "R" in the REMARKS column are recommended spare parts.

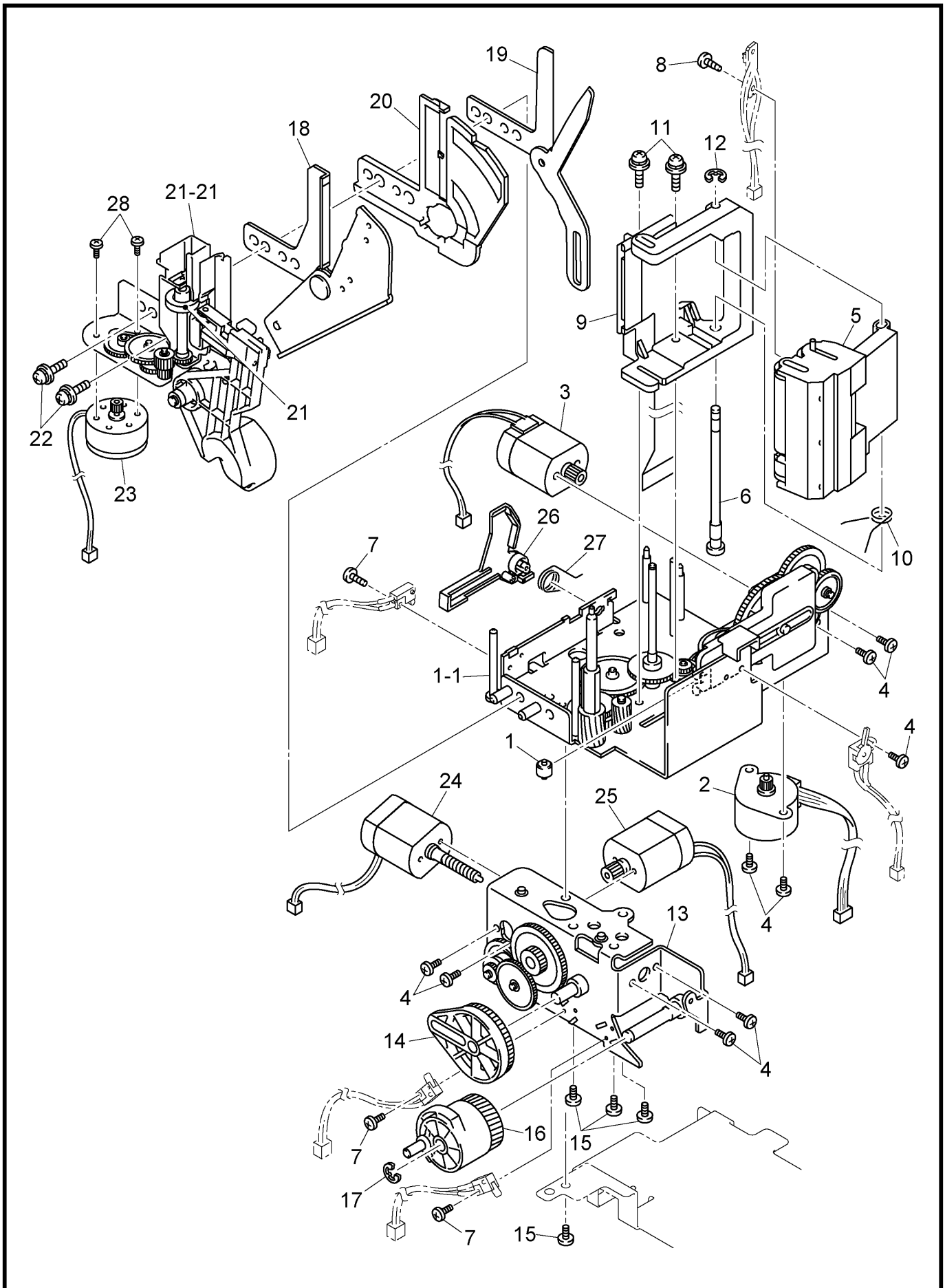
4. The original of this list was made based on the information as of September, 2003.

5. Parts are subject to change in design without prior notice.

CONTENTS

1 . PRINT MECHANISM	1
2 . COVERS	3
3 . MAIN PCB	5
4 . SENSORS	7
5 . PRINTED MATTER	7
6 . ATTACHMENTS	9
7 . PACKING MATERIALS	11

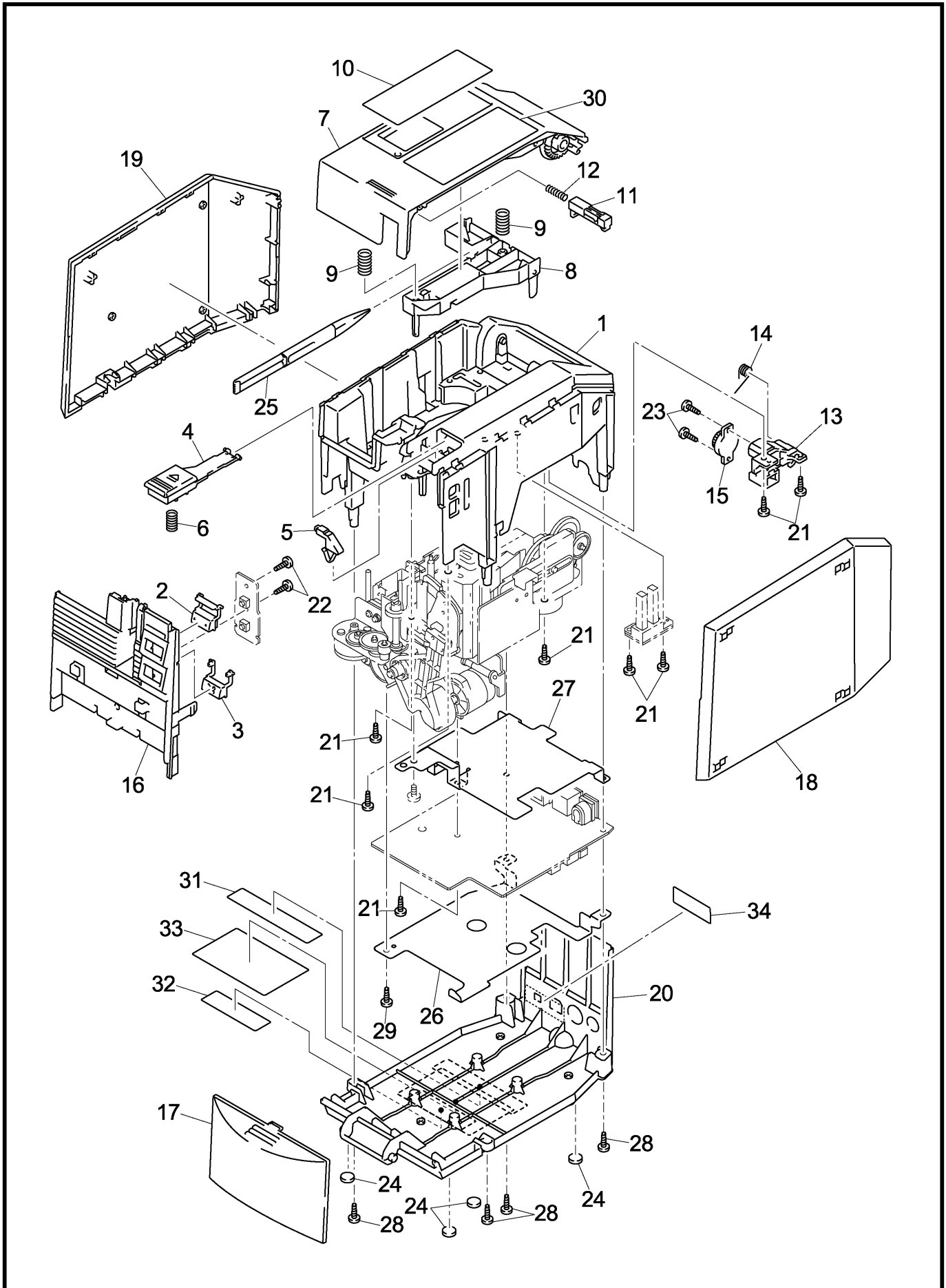
1. PRINT MECHANISM



MODEL PT-9500PC 8V2-631-045

1 . PRINT MECHANISM

REF.NO.	CODE	Q'TY	DESCRIPTION	REMARKS
1-1	LN0900001	1	CHASSIS 9500 ASSY	R
1	UB5507000	1	RELEASE ROD ROLLER	
2	LN0912001	1	TAPE FEED MOTOR ASSY 9500	
3	LN0914001	1	RELEASE MOTOR ASSY	
4	UB3848001	9	SCREW, PAN M2.6X3.5	
5	LA8984001	1	ROLLER HOLDER ASSY 3600 (SP)	R
6	UT0895001	1	ROLLER HOLDER SHAFT	
7	UT0855001	3	SCREW, PAN M1.7X6	
8	085210415	1	TAPTITE, BIND B M2X4	
9	LA2071001	1	HEAD ASSY KSH384 BW3 (SP)	R
10	UT0901001	1	ROLLER HOLDER RELEASE SPRING	
11	0A4300805	2	SCREW, PAN (S/P WASHER) M3X8	
12	048025346	1	RETAINING RING, E2.5	
13	LN0917001	1	HALF FRAME ASSY	R
14	UT0917001	1	HALF ROCK GEAR	
15	060300415	4	SCREW, BIND M3X4	
16	LN0923001	1	CUTTER HELICAL GEAR ASSY	
17	048040346	1	RETAINING RING, E4	
18	LN0925001	1	HALF CUTTER ASSY 9500	R
19	LN2829001	1	CUTTER ASSY 9500 (SP)	R
20	LN0927001	1	HALF SPACER	
21-21	LN0928001	1	EJECT UNIT ASSY	R
21	LA8241001	1	EJECT RUBBER	
22	0A4401205	2	SCREW, PAN (S/P WASHE) M4X12	
23	LN0942001	1	EJECT MOTOR ASSY	
24	LN0943001	1	FULL CUTTER MOTOR ASSY	R
25	LN0948001	1	HALF CUTTER MOTOR ASSY	R
26	LA8247001	1	AV SENSOR ACTUATOR	
27	LN2808001	1	AV SENSOR SPRING 9500	
28	LA8420001	2	SCREW, PAN M1.7X3	



2 . COVERS

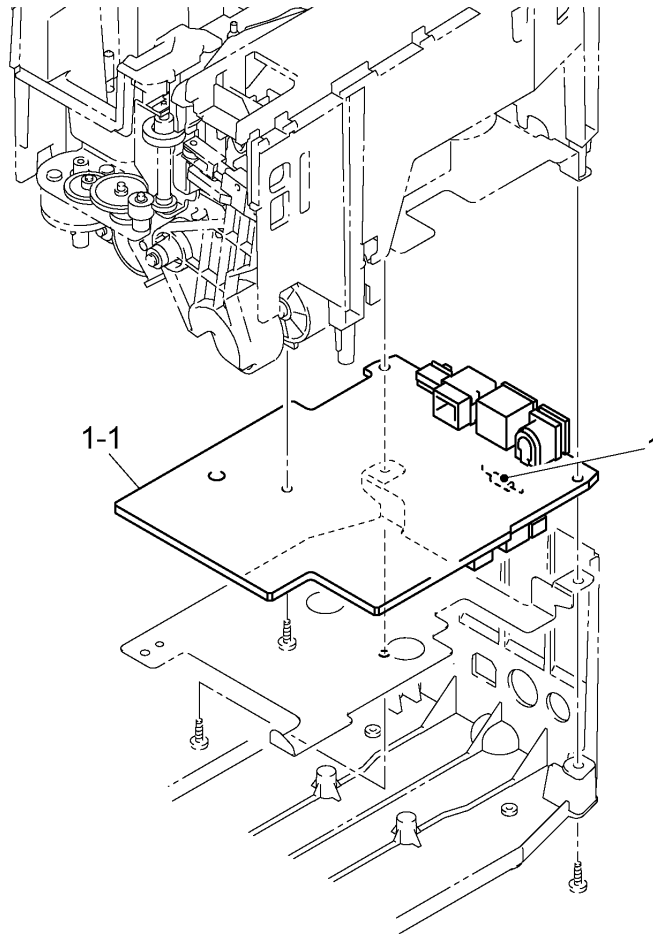
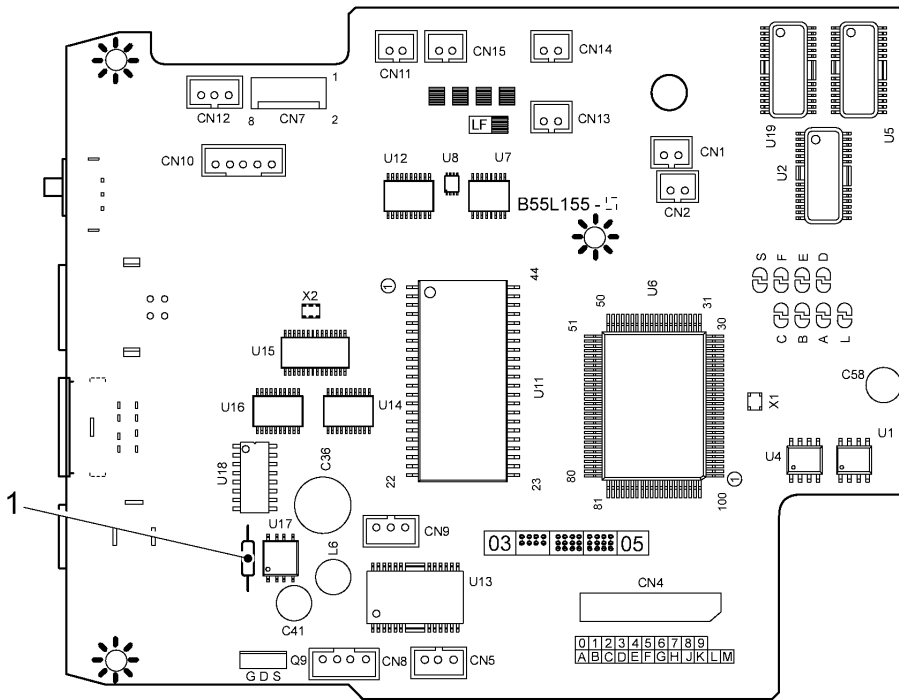
PtPn030154

REF.NO.	CODE	Q'TY	DESCRIPTION	REMARKS
1	LN0952001	1	BODY COVER 9500	
2	LN0953001	1	POWER SUPPLY SWITCH BUTTON	
3	LN0954001	1	CUT FEED BUTTON 9500	
4	LN0955001	1	COVER OPEN BUTTON 9500	
5	UT0941001	1	COVER BUTTON ACTUATOR	
6	LN1486001	1	COVER BUTTON SPRING	
7	LN0848001	1	CASSETTE COVER 9500 US (USA/CAN)	ADD
7	LN0956001	1	CASSETTE COVER 9500 JP (EUROPE/AUS/SGP/HKG/TWN/KOR/CHN)	ADD
8	LN0957001	1	CASSETTE PRESSER 9500	
9	LN0958001	2	CASSETTE SPRING 9500	
10	LN0849001	1	TAPE PANEL 9500 US (USA/CAN)	ADD
10	LN0892001	1	TAPE PANEL 9500 EU (EUROPE/AUS/SGP/HKG/TWN/KOR/CHN)	ADD
11	UT0995001	1	COVER LOCK ACTUATOR	
12	UT0996001	1	COVER LOCK SPRING	
13	LN0960001	1	CASSETTE COVER BRACKET	
14	LN0961001	1	COVER OPEN SPRING 9500	
15	LN0962001	1	DAMPER 9500	
16	LN0963001	1	FRONT COVER 9500	
17	LN0964001	1	SLOT COVER 9500	
18	LN0965001	1	SIDE COVER R 9500	
19	LN0966001	1	SIDE COVER L 9500	
20	LN0967001	1	BOTTOM COVER 9500 (EXCEPT KOR/CHN)	
20	LN5692001	1	BOTTOM COVER 9500 ASIA (KOR/CHN)	ADD
21	085270817	8	TAPTITE, BIND B M2.6X8	
22	085270615	2	TAPTITE, BIND B M2.6X6	
23	085210615	2	TAPTITE, BIND B M2X6	
24	LA5753001	4	LOWER FOOT 2300	
25	UT0267001	1	LETTERING STICK TZ36	
26	LN1487000	1	SHIELD PLATE 9500A	
27	LN1496000	1	SHIELD PLATE 9500B	
28	085271017	4	TAPTITE, BIND B M2.6X10	
29	UB3848001	1	SCREW, PAN M2.6X3.5	
30	LN2972001	1	MYLAR LABEL 9500 US (USA)	
31	LA5703001	1	FCC LABEL 2300 (USA/CAN)	ADD
31	LA4998001	1	C-TICK MARK (AUS)	ADD
32	LN2973001	1	CAUTION LABEL 9500 US (USA)	
33	LA8366001	1	CAUTION LABEL 3600 EC (EUROPE/CAN/AUS/SGP/HKG/TWN/KOR/CHN)	ADD
34	LN3730001	1	USB STICKER US (USA/IRL/GBR/AUS/SGP/HKG/TWN/KOR/CHN)	ADD

MODEL PT-9500PC 8V2-631-061

3. MAIN PCB

1-1



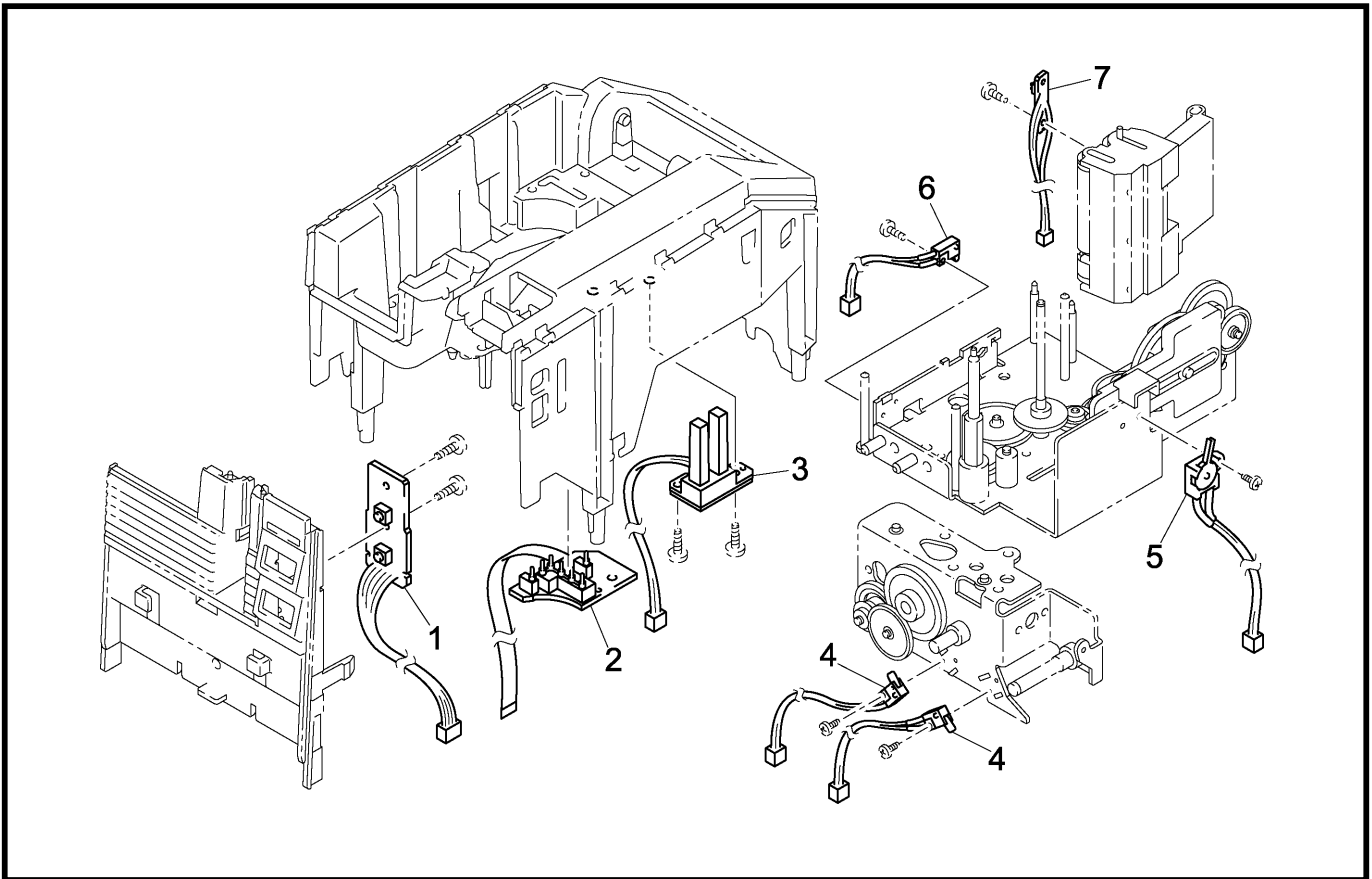
3 . MAIN PCB

PtPn030157

REF.NO.	SYMBOL	CODE	Q'TY	DESCRIPTION	REMARKS
1-1 1	B55L155-101D F1	LN0980001 UN0999000	1 1	MAIN PCB ASSY 9500 FUZE, 125V4A	R, CHNG#B

MODEL PT-9500PC 8V2-631-101

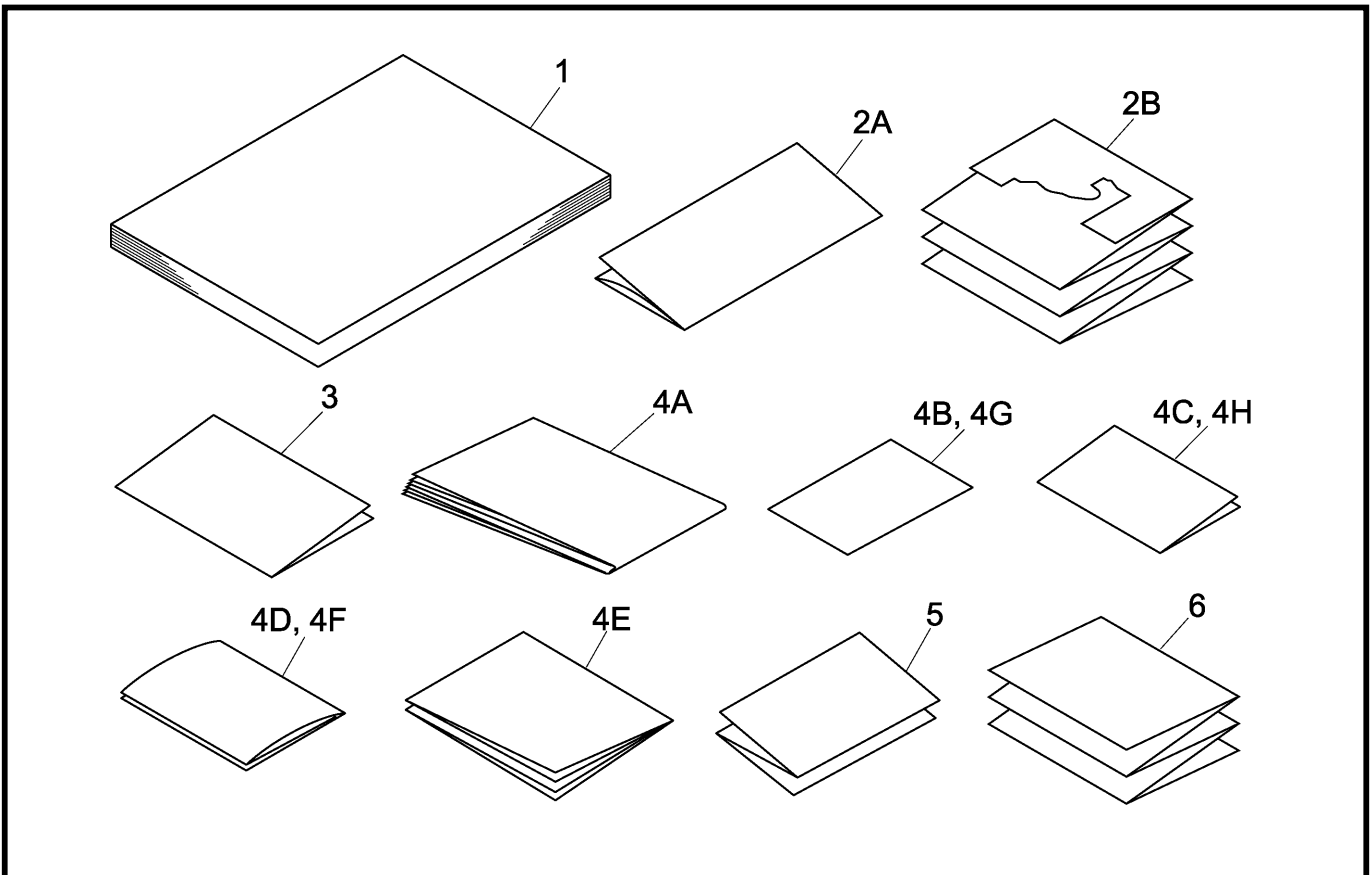
4 . SENSORS



MODEL PT-9500PC 8V2-631-100

5 . PRINTED MATTER

PtPn040028



MODEL PT-9500PC 8V2-631-920

4 . SENSORS

REF.NO.	SYMBOL	CODE	Q'TY	DESCRIPTION	REMARKS
1	B55L157-1A	LN0968001	1	SUB PCB ASSY 9500	R
2	B55L159-1	LN0971001	1	CASSETTE SENSOR PCB ASSY 9500	R
3	B55L028-1	LN0974001	1	TAPE END SENSOR ASSY 9500	R
4		LN0977001	2	CUTTER SENSOR ASSY 9500	
5		LN0978001	1	ROLLER HOLDER SENSOR ASSY	
6		LN0889001	1	AV SW SENSOR ASSY 9500	
7	B55L134-1	LN0890001	1	AV SENSOR PCB ASSY 9500	R

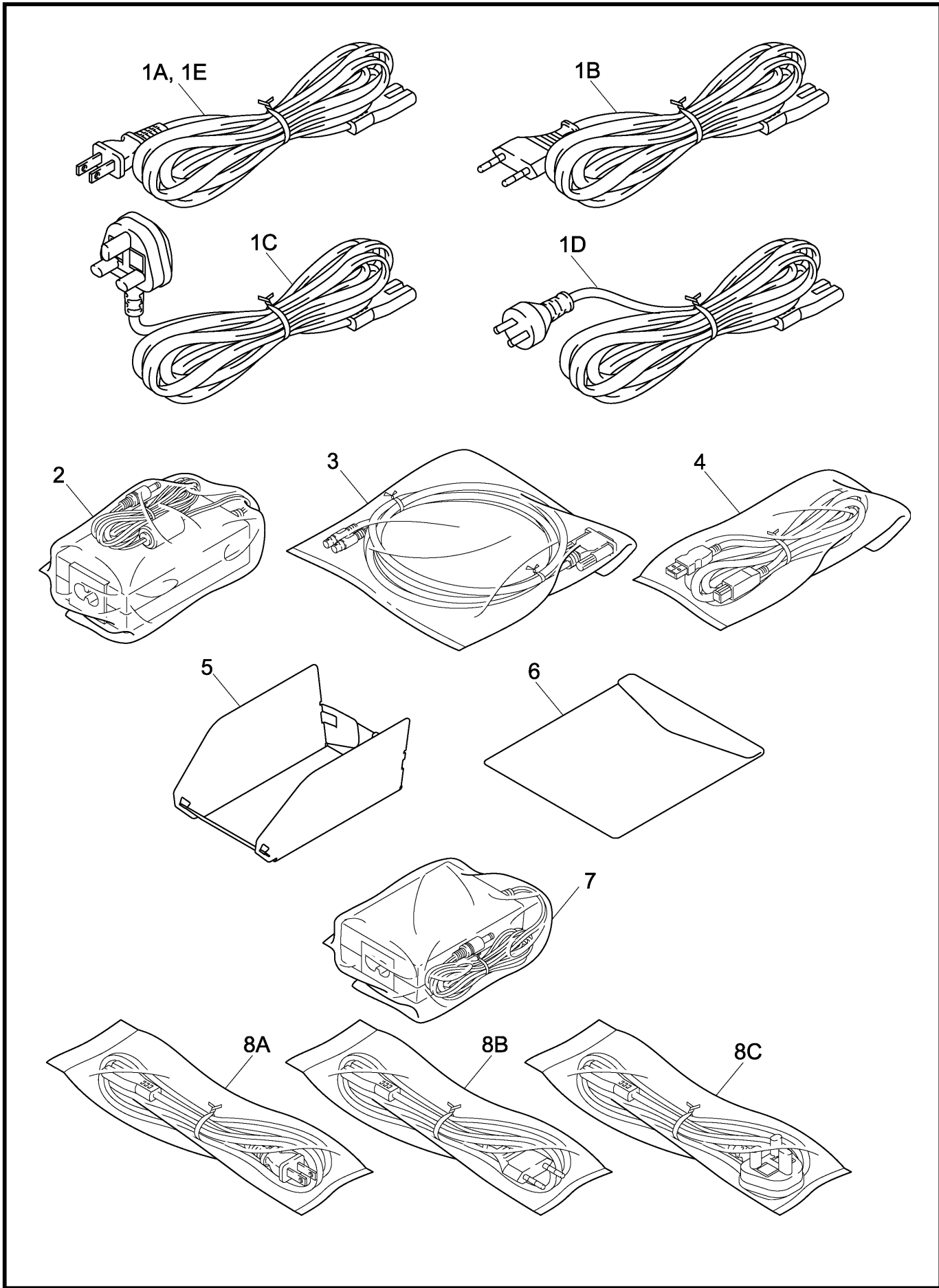
MODEL PT-9500PC 8V2-631-100

5 . PRINTED MATTER

PtPn040055

REF.NO.	SYMBOL	CODE	Q'TY	DESCRIPTION	REMARKS
1	A	LN2975001	1	USER'S MANUAL 9500 US (USA)	CHNG#B
1		LN3619001	1	USER'S MANUAL 9500EU A (DEU/AUT)	ADD
1		LN3621001	1	USER'S MANUAL 9500EU C (GBR/IRL/FIN/ESP/AUS/SGP)	ADD
1		LN3620001	1	USER'S MANUAL 9500EU B (DNK/SWE)	
1		LN4251001	1	USER'S MANUAL 9500CA (CAN)	ADD
1		LN5690001	1	USER'S MANUAL 9500 ASIA (HKG/TWN/KOR/CHN)	ADD
2A		LN2976001	1	TAPE CATALOG 9500 US (USA)	
2A		LA8799001	1	TAPE CATALOG CA 36 (CAN)	ADD
2A		LA2795001	1	TZ TAPE CATALOG, AUS CH (AUS/SGP/HKG/TWN/KOR/CHN)	ADD
2B	A	UN4239001	1	TAPE CATALOG UK (EUROPE)	
3		LA7986001	1	REGISTRATION CARD (USA)	
4A	F	UH3851001	1	WARRANTY CARD EUR (DEU/GBR/IRL/DNK/SWE/ESP/AUT)	ADD
4B		LF2491001	1	12 MONTH WARRANTY BOOKLET UK (GBR)	ADD
4C		LE5115001	1	WARRANTY CARD SWE-A (SWE)	
4D		LA1757001	1	WARRANTY CARD, SPA (ESP)	
4E	B	UN8607001	1	WARRANTY CARD, CAN.E/F (CAN)	ADD
4F	A	LA4592001	1	WARRANTY CARD, HONG KONG (HKG)	ADD
4G		LA1999001	1	WARRANTY CARD PP, TAIWAN (TWN)	ADD
4H		LF4280001	1	3YR GUARANTEE CARD GER (DEU)	ADD
5	B	LA8624001	1	ACCESSORY ORDER FORM LIST (USA)	CHNG#B
5		LN0026001	1	ACCESSORY ORDER LIST AUS (AUS/SGP/HKG/TWN/KOR/CHN)	ADD
6		LN4131001	1	PRIZE LEAFLET (GBR)	ADD

MODEL PT-9500PC 8V2-631-920



6 . ATTACHMENTS

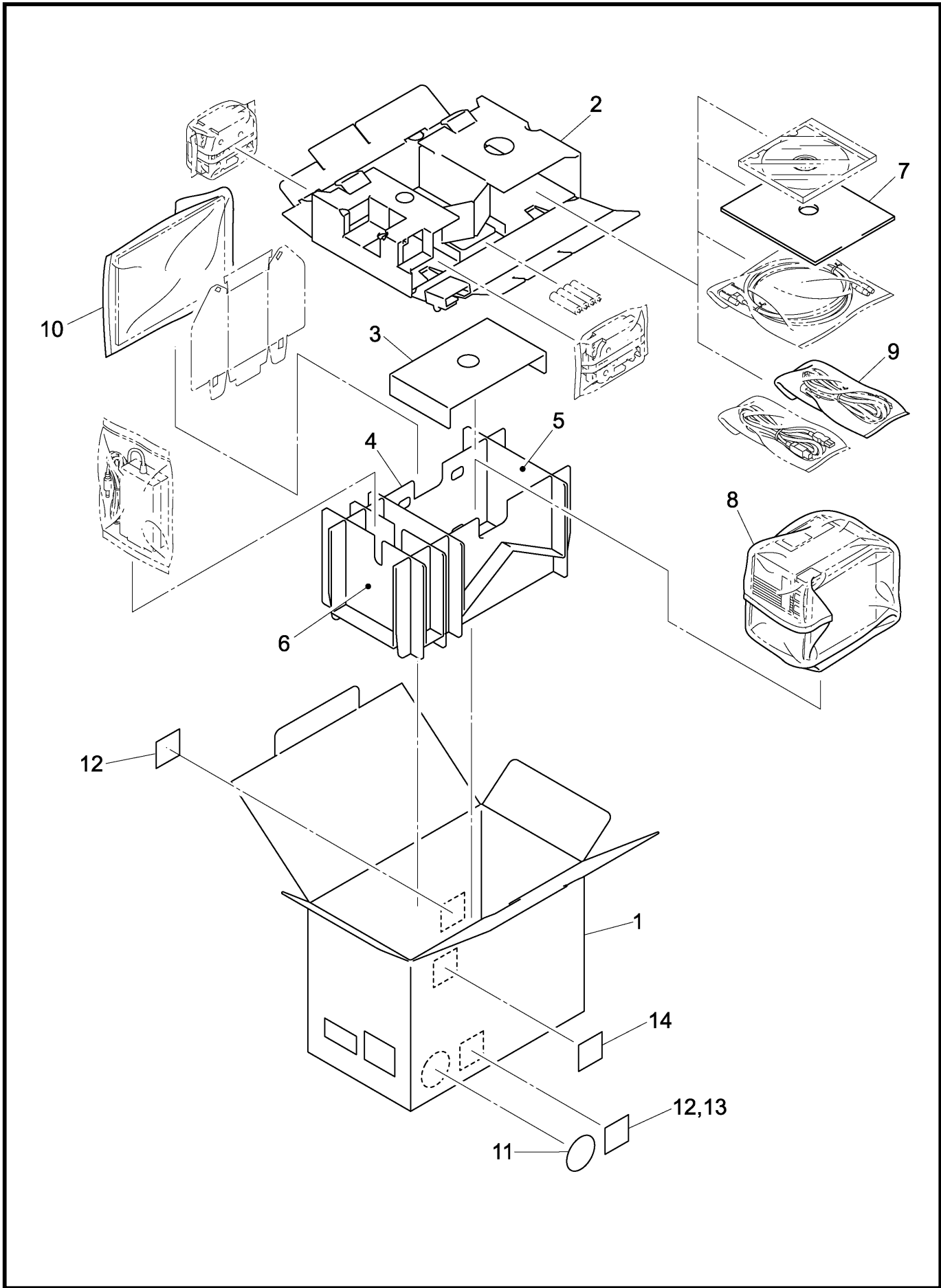
PtPn040052

REF.NO.	SYMBOL	CODE	Q'TY	DESCRIPTION	REMARKS
1A		LN2284001	1	POWER SUPPLY CORD CSA LF (USA/CAN/TWN)	ADD
1B		LA8339001	1	POWER SUPPLY CORD CEE (DEU/DNK/SWE/FIN/ESP /AUT)	CHNG#A
1B		LN6224001	1	POWER SUPPLY CORD KOR (KOR)	CHNG#A
1C		LA8370001	1	POWER SUPPLY CORD BS (GBR/IRL/SGP/HKG)	ADD
1D		LN0028001	1	POWER SUPPLY CORD AUS (AUS)	ADD
1E		LN4396001	1	POWER SUPPLY CORD CHN LF (CHN)	ADD
2	B	LN3041001	1	ADAPTER AD9000 LF	CHNG#A
3		LN3043001	1	I/F CABLE WIN/MAC LF	ADD
4		LN2395001	1	USB I/F CABLE LF	ADD
5		LN0994001	1	TRAY 9500	
6		LN2974001	1	CD-ROM ASSY 9500 US (USA)	
6		LN3618001	1	CD-ROM ASSY 9500 EU (EUROPE/AUS/SGP)	ADD
6		LN4250001	1	CD-ROM ASSY 9500 CA (CAN)	ADD
6		LN5691001	1	CD-ROM ASSY 9500 ASIA (HKG/TWN/KOR/CHN)	ADD
7		LN2290001	1	ADAPTER PS9000 (USA/DEU/GBR) (PS9000)	
8A		LN2291001	1	POWER SUPPLY CODE JP (USA) (PS9000)	
8B		LN2308001	1	POWER SUPPLY CODE EU (DEU) (PS9000)	
8C		LN2313001	1	POWER SUPPLY CODE UK (GBR) (PS9000)	

MODEL PT-9500PC/PS-9000 8V2-631-910

7 . PACKING MATERIALS

PtPn040028



MODEL PT-9500PC 8V2-631-930

7 . PACKING MATERIALS

PtPn040044

REF.NO.	SYMBOL	CODE	Q'TY	DESCRIPTION	REMARKS
1		LN0895001	1	CARTON 9500 US (USA)	R
1		LN3622001	1	CARTON 9500 EU (EUROPE)	R
1	A	LN4252001	1	CARTON 9500 CA (CAN)	CHNG#A
1		LN4254001	1	CARTON 9500 ASIA (AUS/SGP/HKG/TWN/KOR/CHN)	ADD
2		LN0996000	1	PAD UPPER	
3		LN0997000	1	PAD MIDDLE	
4		LN0998000	1	PAD LOWER	
5		LN1852000	1	PARTITION PAD A	
6		LN1853000	1	PARTITION PAD B	
7		LN0824000	1	CD PAD 9500	
8		LA7881001	1	BAG, 250X600H	
9		LA7882001	1	BAG, 130X350	
10		LA6867001	1	BAG, 215X360H	
11		LA4516001	1	ADDITIONAL LABEL (GBR)	
12		LN3054001	2	50TH ANNIVERSARY LABEL US (USA)	
13		LN4280001	1	PRIZE STICKER BOAT (GBR)	ADD
14		LF4281001	1	3YR GUARANTEE MYLAR LABEL GER (DEU)	ADD

MODEL PT-9500PC 8V2-631-930

brother®

Sep., 2003
8V2053BE0
Printed in Japan