



P-touch

PARTS REFERENCE LIST

MODEL: PT-D200

PT-D200VP/D200WNVP

PT-D200BWVP/D200BT

PT-D200DA/D200MA

PT-D200SA/D200DR

PT-D200BW/D200KT

PT- D200SN/D200CB

PT- D200RK/D200LB

PT- D200G

PT- E200/E200VP

NOTE FOR USING THIS PARTS REFERENCE LIST

1. In the case of ordering parts, it is necessary to mention the following items:

- (1) Code
- (2) Q'ty
- (3) Description <Example>

	(1)	(2)	(3)			
REFNo.	CODE	Q'TY	DESCRIPTION	MODEL	SPEC	REMARKS

2. Design-changed parts:

If any of the parts code is changed in this Parts List, one of the following symbols is indicated in the REMARKS column.

- CHG (chg): The parts code is changed to a new one in this Parts List.
- ADD (add): The parts code is newly added in this Parts List.
- DEL (del): The parts code is deleted in this Parts List.
- Symbol in capital letters indicates the latest parts change information in the page.

3. Parts change will be informed by the Parts change information.

4. Parts are subject to change in design without prior notice.

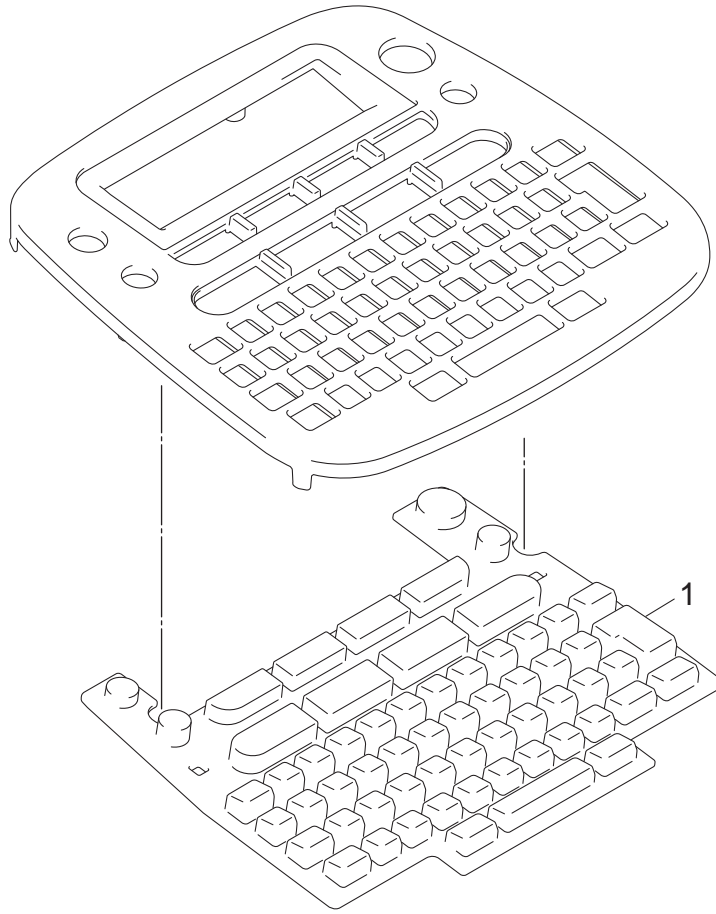
COUNTRIES & AREAS

U.S.A. ----- USA	Taiwan -----TWN
Germany ----- DEU	Singapore ----- SGP
Canada ----- CAN	Argentina ----- ARG
United Kingdom ----- GBR	Spain ----- ESP
France ----- FRA	China ----- CHN
Brazil ----- BRA	Hungary ----- HUN
Hong Kong ----- HKG	Thailand ----- THA
Russia ----- RUS	Korea -----KOR
Denmark ----- DNK	United Arab Emirates ----- ARE
Turkey ----- TUR	Philippines ----- PHL
India ----- IND	South Africa ----- ZAF
Netherlands ----- NLD	Malaysia ----- MYS
Switzerland ----- CHE	
Australia ----- AUS	

CONTENTS

1.	<u>RUBBER KEY</u>	1
2.	<u>PRINT MECHANISM</u>	3
3.	<u>COVERS</u>	7
4.	<u>SENSOR UNIT</u>	11
5.	<u>MAIN PCB</u>	13
6.	<u>POWER SUPPLY PCB</u>	15
7.	<u>LCD UNIT</u>	17
8.	<u>ACCESSORY</u>	19
9.	<u>PRINTED MATTER</u>	21
10.	<u>PACKING</u>	25

1.RUBBER KEY

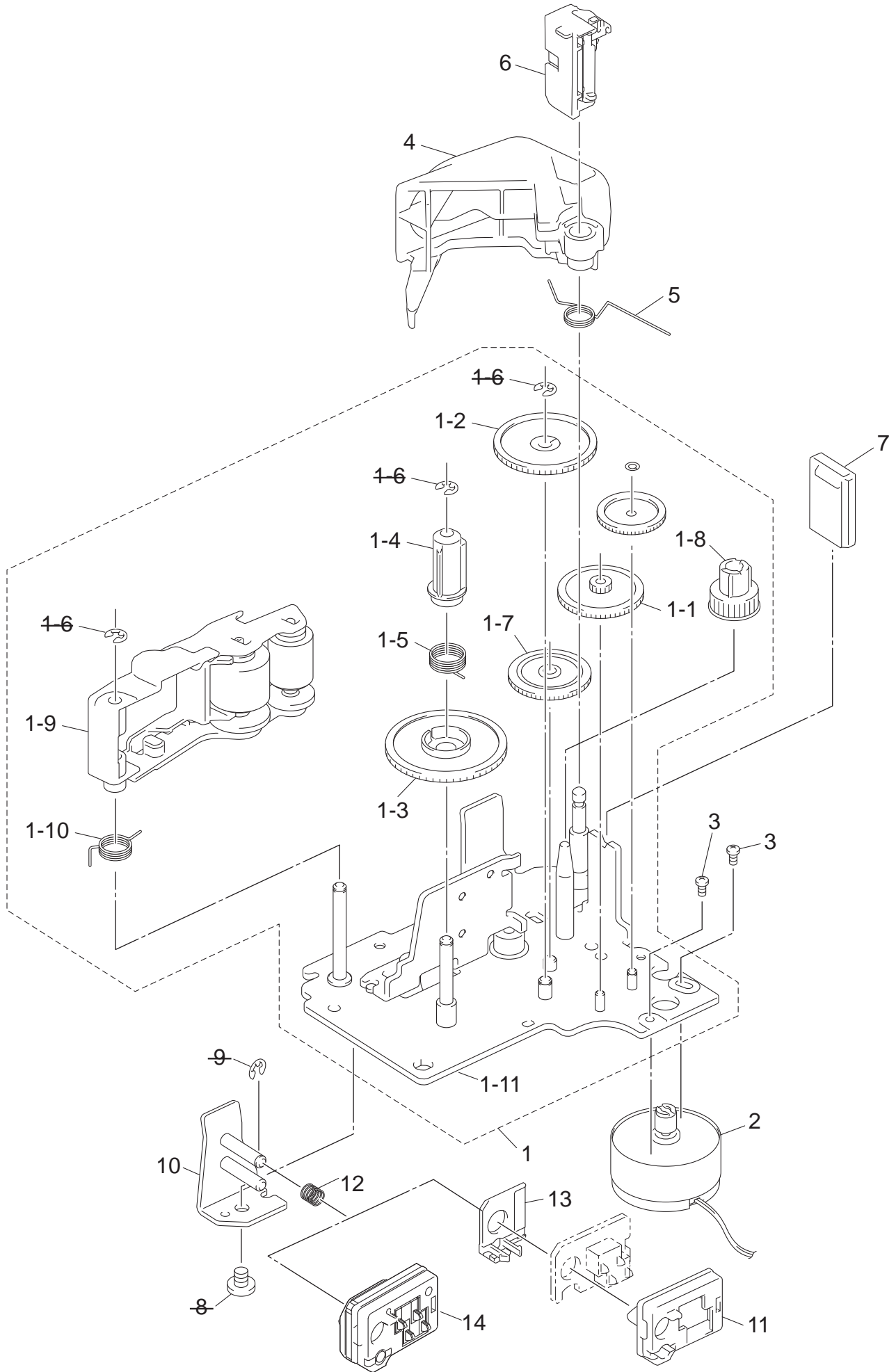


1.RUBBER KEY

REF No.	CODE	Q'TY	DESCRIPTION	MODEL	SPEC	REMARKS
1	LAD480001	1	RUBBER 61 KEY D200 ARE	PT-D200	FOR ARE	
1	LAB323001	1	RUBBER 61 KEY D200 CHN	PT-D200	FOR CHN	
1	LAC458001	1	RUBBER 61 KEY D200 TWN	PT-D200	FOR TWN	
1	LAB225001	1	RUBBER 61 KEY D200 FRA	PT-D200	FOR FRA	chg
1	LAC457001	1	RUBBER 61 KEY D200 HKG	PT-D200	FOR HKG	
1	LAB824001	1	RUBBER 61 KEY D200 KOR	PT-D200	FOR KOR	
1	LAE345001	1	RUBBER 61 KEY D200 RUS	PT-D200	FOR RUS	
1	LAB213001	1	RUBBER 61 KEY D200 US	PT-D200	FOR USA/BRA/IND/AUS	chg
1	LAB224001	1	RUBBER 61 KEY D200 UK	PT-D200	FOR CAN/GBR/TUR/NLD/DNK/ARG/ ESP/HUN	chg
1	LAB226001	1	RUBBER 61 KEY D200 DEU	PT-D200	FOR DEU/CHE	chg
1	LAB821001	1	RUBBER 61 KEY D200 THA	PT-D200	FOR THA	
1	LAB226002	1	RUBBER 61 KEY D200 DEU	PT-D200*	FOR CHE/DEU	
1	LAB225002	1	RUBBER 61 KEY D200 FRA	PT-D200*	FOR FRA	
1	LAB224003	1	RUBBER 61 KEY D200 UK	PT-D200*	FOR NLD/HUN	
1	LAB213001	1	RUBBER 61 KEY D200 US	PT-D200BT		chg
1	LAB224003	1	RUBBER 61 KEY D200 UK	PT-D200BW		
1	LAB226002	1	RUBBER 61 KEY D200 DEU	PT-D200BWVP		
1	LAB226001	1	RUBBER 61 KEY D200 DEU	PT-D200CB		chg
1	LAB213003	1	RUBBER 61 KEY D200 US	PT-D200DA		
1	LAB224002	1	RUBBER 61 KEY D200 UK	PT-D200DR		
1	D00JEK001	1	RUBBER 61 KEY D200G US	PT-D200G		
1	LAE942001	1	RUBBER 61 KEY D200 HKG KITTY	PT-D200KT	FOR HKG	
1	LAG430001	1	RUBBER 61 KEY D200 SGP KITTY	PT-D200KT	FOR SGP/ZAF/PHL/MYS	
1	LAG431001	1	RUBBER 61 KEY D200 THA KITTY	PT-D200KT	FOR THA	
1	LAF868001	1	RUBBER 61 KEY D200 KOR KITTY	PT-D200KT	FOR KOR	
1	LAH721001	1	RUBBER 61 KEY D200 CHN KITTY	PT-D200KT	FOR CHN	
1	D00HPE001	1	RUBBER 61 KEY D200 TWN LINE	PT-D200LB	FOR TWN	
1	D00FLY001	1	RUBBER 61 KEY D200 HKG LINE	PT-D200LB	FOR HKG	
1	D00HPD001	1	RUBBER 61 KEY D200 KOR LINE	PT-D200LB	FOR KOR	
1	LAB213004	1	RUBBER 61 KEY D200 US	PT-D200MA		
1	LAG682001	1	RUBBER 61 KEY D200 TWN RK	PT-D200RK	FOR TWN	
1	LAJ771001	1	RUBBER 61 KEY D200 SGP RK	PT-D200RK	FOR SGP/PHL	
1	LAJ772001	1	RUBBER 61 KEY D200 THA RK	PT-D200RK	FOR THA	
1	LAG681001	1	RUBBER 61 KEY D200 HKG RK	PT-D200RK	FOR HKG	
1	LAB213002	1	RUBBER 61 KEY D200 US	PT-D200SA		
1	LAF866001	1	RUBBER 61 KEY D200 TWN SNOOPY	PT-D200SN	FOR TWN	
1	LAF867001	1	RUBBER 61 KEY D200 HKG SNOOPY	PT-D200SN	FOR HKG	
1	LAJ775001	1	RUBBER 61 KEY D200 CHN SNOOPY	PT-D200SN	FOR CHN	
1	LAB224001	1	RUBBER 61 KEY D200 UK	PT-D200VP	FOR GBR/DNK/NLD/ESP/HUN	chg
1	LAB226001	1	RUBBER 61 KEY D200 DEU	PT-D200VP	FOR CHE/DEU	chg
1	LAB225001	1	RUBBER 61 KEY D200 FRA	PT-D200VP	FOR FRA	chg
1	LAB213001	1	RUBBER 61 KEY D200 US	PT-D200VP	FOR SGP	chg
1	LAE345001	1	RUBBER 61 KEY D200 RUS	PT-D200VP	FOR RUS	
1	LAB224003	1	RUBBER 61 KEY D200 UK	PT-D200VP*	FOR GBR/NLD/DNK/HUN	
1	LAB226002	1	RUBBER 61 KEY D200 DEU	PT-D200VP*	FOR CHE	
1	LAB225002	1	RUBBER 61 KEY D200 FRA	PT-D200VP*	FOR FRA	
1	LAB226003	1	RUBBER 61 KEY D200 DEU	PT-D200WNVP		
1	LAB327001	1	RUBBER 61 KEY E200 CHN	PT-E200		
1	LAD407001	1	RUBBER 61 KEY E200 THA	PT-E200VP	FOR THA	
1	LAD486001	1	RUBBER 61 KEY E200 TWN	PT-E200VP	FOR TWN	
1	LAD481001	1	RUBBER 61 KEY E200 ARE	PT-E200VP	FOR ARE	

PT-D200* D200VP* are Black and White model

2.PRINT MECHANISM



2.PRINT MECHANISM

REF NO.	CODE	Q'TY	DESCRIPTION	MODEL	SPEC	REMARKS
1	LAB214001	1	FRAME ASSY PT-H100 (SP)	PT-D200		chg
1	LAB214001	1	FRAME ASSY PT-H100 (SP)	PT-D200*		chg
1	LAB214001	1	FRAME ASSY PT-H100 (SP)	PT-D200BW		chg
1	LAB214001	1	FRAME ASSY PT-H100 (SP)	PT-D200BWVP		chg
1	LAB214001	1	FRAME ASSY PT-H100 (SP)	PT-D200CB		chg
1	LAB214001	1	FRAME ASSY PT-H100 (SP)	PT-D200DA		chg
1	LAB214001	1	FRAME ASSY PT-H100 (SP)	PT-D200DR		chg
1	LAB214001	1	FRAME ASSY PT-H100 (SP)	PT-D200G		
1	LAB214001	1	FRAME ASSY PT-H100 (SP)	PT-D200KT		chg
1	LAB214001	1	FRAME ASSY PT-H100 (SP)	PT-D200LB		
1	LAB214001	1	FRAME ASSY PT-H100 (SP)	PT-D200MA		chg
1	LAB214001	1	FRAME ASSY PT-H100 (SP)	PT-D200RK		chg
1	LAB214001	1	FRAME ASSY PT-H100 (SP)	PT-D200SA		chg
1	LAB214001	1	FRAME ASSY PT-H100 (SP)	PT-D200SN		chg
1	LAB214001	1	FRAME ASSY PT-H100 (SP)	PT-D200VP		chg
1	LAB214001	1	FRAME ASSY PT-H100 (SP)	PT-D200VP*		chg
1	LAB214001	1	FRAME ASSY PT-H100 (SP)	PT-D200WNVP		chg
1	LAB214001	1	FRAME ASSY PT-H100 (SP)	PT-E200		chg
1	LAB214001	1	FRAME ASSY PT-H100 (SP)	PT-E200VP		chg
1-1	LA3193001	1	DOUBLE GEAR 2			
1-2	LAF133001	1	DOUBLE GEAR 3 L	PT-D200		chg
1-2	LAF133001	1	DOUBLE GEAR 3 L	PT-D200*		chg
1-2	LA3194001	1	DOUBLE GEAR 3	PT-D200BT		
1-2	LAF133001	1	DOUBLE GEAR 3 L	PT-D200BW		chg
1-2	LAF133001	1	DOUBLE GEAR 3 L	PT-D200BWVP		chg
1-2	LAF133001	1	DOUBLE GEAR 3 L	PT-D200CB		chg
1-2	LAF133001	1	DOUBLE GEAR 3 L	PT-D200DA		chg
1-2	LAF133001	1	DOUBLE GEAR 3 L	PT-D200DR		chg
1-2	LAF133001	1	DOUBLE GEAR 3 L	PT-D200G		
1-2	LAF133001	1	DOUBLE GEAR 3 L	PT-D200KT		chg
1-2	LAF133001	1	DOUBLE GEAR 3 L	PT-D200LB		
1-2	LAF133001	1	DOUBLE GEAR 3 L	PT-D200MA		chg
1-2	LAF133001	1	DOUBLE GEAR 3 L	PT-D200RK		chg
1-2	LAF133001	1	DOUBLE GEAR 3 L	PT-D200SA		chg
1-2	LAF133001	1	DOUBLE GEAR 3 L	PT-D200SN		chg
1-2	LAF133001	1	DOUBLE GEAR 3 L	PT-D200VP		chg
1-2	LAF133001	1	DOUBLE GEAR 3 L	PT-D200VP*		chg
1-2	LAF133001	1	DOUBLE GEAR 3 L	PT-D200WNVP		chg
1-2	LAF133001	1	DOUBLE GEAR 3 L	PT-E200		chg
1-2	LAF133001	1	DOUBLE GEAR 3 L	PT-E200VP		chg
1-3	LA3866001	1	RIBBON DRIVE GEAR			
1-4	LA3632001	1	RIBBON DRIVE CAM			
1-5	UN3559001	1	RIBBON CLUTCH SPRING			
1-6	048020346	3	RETAINING RING E2			DEL
1-7	LA3195001	1	IDLE GEAR			
1-8	LA3196001	1	TAPE IDLE GEAR			
1-9	LAH223001	1	ROLLER HOLDER ASSY NTZ12	PT-D200		add
1-9	LAH223001	1	ROLLER HOLDER ASSY NTZ12	PT-D200*		add
1-9	LW4382001	1	ROLLER HOLDER ASSY NTZ12	PT-D200BT		
1-9	LAH223001	1	ROLLER HOLDER ASSY NTZ12	PT-D200BW		add
1-9	LAH223001	1	ROLLER HOLDER ASSY NTZ12	PT-D200BWVP		add
1-9	LAH223001	1	ROLLER HOLDER ASSY NTZ12	PT-D200CB		add
1-9	LAH223001	1	ROLLER HOLDER ASSY NTZ12	PT-D200DA		add
1-9	LAH223001	1	ROLLER HOLDER ASSY NTZ12	PT-D200DR		add
1-9	LAH223001	1	ROLLER HOLDER ASSY NTZ12	PT-D200G		
1-9	LAH223001	1	ROLLER HOLDER ASSY NTZ12	PT-D200KT		add
1-9	LAH223001	1	ROLLER HOLDER ASSY NTZ12	PT-D200LB		
1-9	LAH223001	1	ROLLER HOLDER ASSY NTZ12	PT-D200MA		add
1-9	LAH223001	1	ROLLER HOLDER ASSY NTZ12	PT-D200RK		add
1-9	LAH223001	1	ROLLER HOLDER ASSY NTZ12	PT-D200SA		add
1-9	LAH223001	1	ROLLER HOLDER ASSY NTZ12	PT-D200SN		add
1-9	LAH223001	1	ROLLER HOLDER ASSY NTZ12	PT-D200VP		add
1-9	LAH223001	1	ROLLER HOLDER ASSY NTZ12	PT-D200VP*		add
1-9	LAH223001	1	ROLLER HOLDER ASSY NTZ12	PT-D200WNVP		add
1-9	LAH223001	1	ROLLER HOLDER ASSY NTZ12	PT-E200		add
1-9	LAH223001	1	ROLLER HOLDER ASSY NTZ12	PT-E200VP		add
1-10	LW4385001	1	ROLLER HOLDER RELEASE SPRING			
1-11	LAB497001	1	FRAME ASSY H100	PT-D200BT		
2	LW4374001	1	DC MOTOR ASSY TZA12F			

2.PRINT MECHANISM

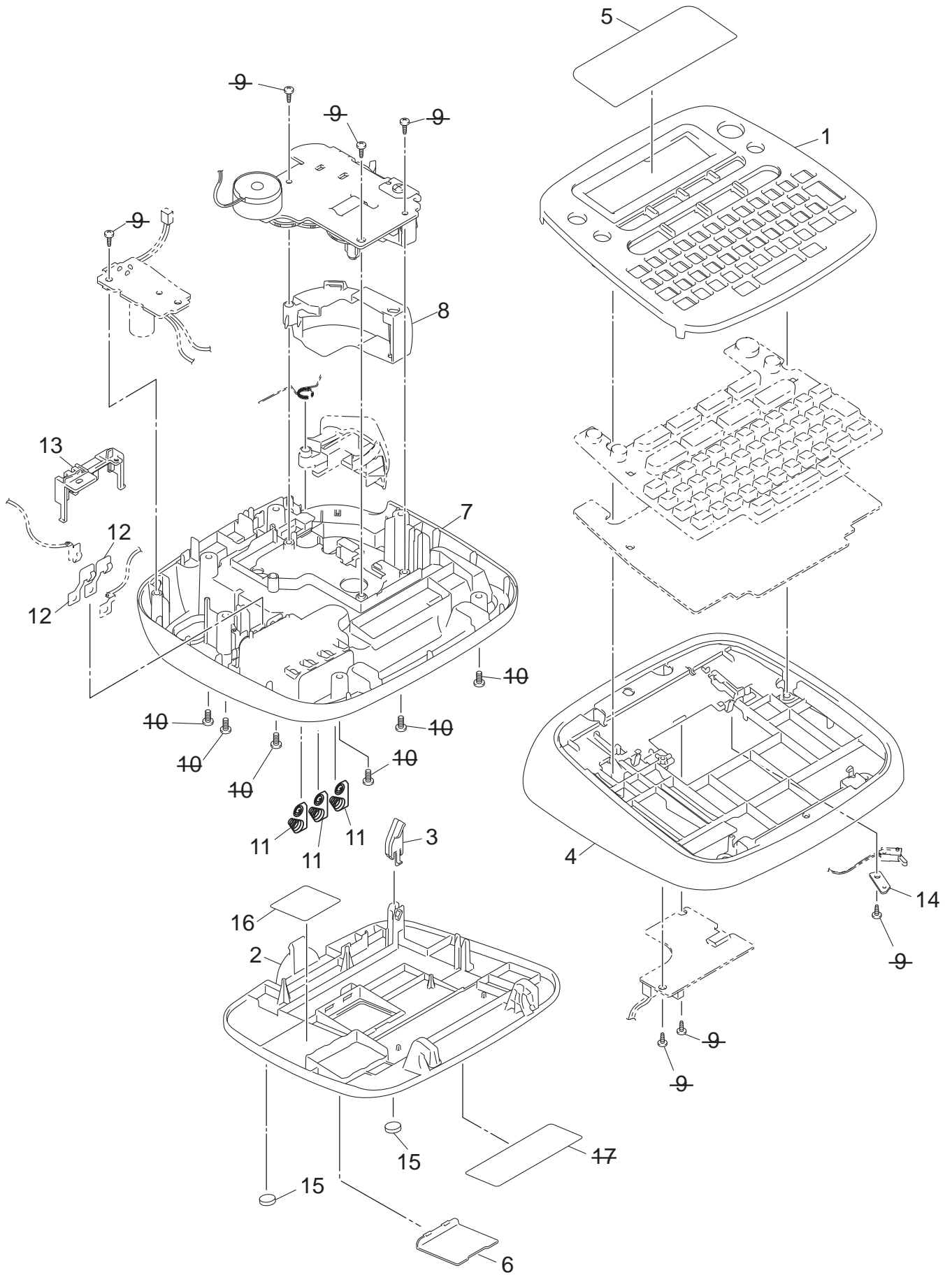
REF NO.	CODE	Q'TY	DESCRIPTION	MODEL	SPEC	REMARKS
3	LA8420001	2	SCREW PAN M1.7X3**	PT-D200		
3	LAB474001	2	SCREW PAN M1.7X2.7**	PT-D200		add
3	LAB474001	2	SCREW PAN M1.7X2.7**	PT-D200*		
3	LA8420001	2	SCREW PAN M1.7X3**	PT-D200*		
3	LAB474001	2	SCREW PAN M1.7X2.7**	PT-D200BT		add
3	LA8420001	2	SCREW PAN M1.7X3**	PT-D200BT		
3	LA8420001	2	SCREW PAN M1.7X3**	PT-D200BW		
3	LAB474001	2	SCREW PAN M1.7X2.7**	PT-D200BW		
3	LAB474001	2	SCREW PAN M1.7X2.7**	PT-D200BWVP		
3	LA8420001	2	SCREW PAN M1.7X3**	PT-D200BWVP		
3	LA8420001	2	SCREW PAN M1.7X3**	PT-D200CB		
3	LAB474001	2	SCREW PAN M1.7X2.7**	PT-D200CB		
3	LA8420001	2	SCREW PAN M1.7X3**	PT-D200DA		
3	LAB474001	2	SCREW PAN M1.7X2.7**	PT-D200DA		
3	LA8420001	2	SCREW PAN M1.7X3**	PT-D200DR		
3	LAB474001	2	SCREW PAN M1.7X2.7**	PT-D200DR		
3	LAB474001	2	SCREW PAN M1.7X2.7**	PT-D200G		
3	LA8420001	2	SCREW PAN M1.7X3**	PT-D200KT	FOR HKG/SGP/THA/KOR/CHN/PHL	
3	LAB474001	2	SCREW PAN M1.7X2.7**	PT-D200KT		
3	LAB474001	2	SCREW PAN M1.7X2.7**	PT-D200LB		
3	LA8420001	2	SCREW PAN M1.7X3**	PT-D200MA		
3	LAB474001	2	SCREW PAN M1.7X2.7**	PT-D200MA		
3	LA8420001	2	SCREW PAN M1.7X3**	PT-D200RK	FOR HKG/TWN	
3	LAB474001	2	SCREW PAN M1.7X2.7**	PT-D200RK		
3	LA8420001	2	SCREW PAN M1.7X3**	PT-D200SA		
3	LAB474001	2	SCREW PAN M1.7X2.7**	PT-D200SA		
3	LA8420001	2	SCREW PAN M1.7X3**	PT-D200SN	FOR TWN/HKG	
3	LAB474001	2	SCREW PAN M1.7X2.7**	PT-D200SN		
3	LA8420001	2	SCREW PAN M1.7X3**	PT-D200VP		
3	LAB474001	2	SCREW PAN M1.7X2.7**	PT-D200VP		add
3	LA8420001	2	SCREW PAN M1.7X3**	PT-D200VP*		
3	LAB474001	2	SCREW PAN M1.7X2.7**	PT-D200VP*		
3	LA8420001	2	SCREW PAN M1.7X3**	PT-D200WNVP		
3	LAB474001	2	SCREW PAN M1.7X2.7**	PT-D200WNVP		
3	LA8420001	2	SCREW PAN M1.7X3**	PT-E200		
3	LAB474001	2	SCREW PAN M1.7X2.7**	PT-E200		add
3	LA8420001	2	SCREW PAN M1.7X3**	PT-E200VP		
3	LAB474001	2	SCREW PAN M1.7X2.7**	PT-E200VP		
4	LW8961003	1	CUTTER LEVER D200	PT-D200	FOR RUS	
4	LW8961001	1	CUTTER LEVER D200	PT-D200	FOR USA/DEU/CAN/GBR/FRA/BRA/ TUR/IND/NLD/CHE/DNK/HKG/AUS/ ARG/ESP/THA/TWN/ARE/KOR/CHN/ HUN	add
4	LW8961003	1	CUTTER LEVER D200	PT-D200*		
4	LW8961001	1	CUTTER LEVER D200	PT-D200BT		add
4	LW8961003	1	CUTTER LEVER D200	PT-D200BW		
4	LW8961003	1	CUTTER LEVER D200	PT-D200BWVP		
4	LW8961001	1	CUTTER LEVER D200	PT-D200CB		add
4	LW8961003	1	CUTTER LEVER D200	PT-D200DA		
4	LW8961003	1	CUTTER LEVER D200	PT-D200DR		
4	LW8961001	1	CUTTER LEVER D200	PT-D200G		
4	LW8961003	1	CUTTER LEVER D200	PT-D200KT		
4	LW8961003	1	CUTTER LEVER D200	PT-D200LB		
4	LW8961003	1	CUTTER LEVER D200	PT-D200MA		
4	LW8961004	1	CUTTER LEVER D200	PT-D200RK		
4	LW8961003	1	CUTTER LEVER D200	PT-D200SA		
4	LW8961003	1	CUTTER LEVER D200	PT-D200SN		
4	LW8961001	1	CUTTER LEVER D200	PT-D200VP	FOR GBR/DNK/CHE/NLD/FRA/DEU/ SGP/ESP/HUN	add
4	LW8961003	1	CUTTER LEVER D200	PT-D200VP	FOR RUS	
4	LW8961003	1	CUTTER LEVER D200	PT-D200VP*		
4	LW8961002	1	CUTTER LEVER D200	PT-D200WNVP		
4	LW8961002	1	CUTTER LEVER D200	PT-E200		
4	LW8961002	1	CUTTER LEVER D200	PT-E200VP		
5	LN6886001	1	CUTTER LEVER SPRING 1280			
6	LAA139001	1	CUTTER CASE ASSY TZA			
7	LAA971001	1	BOARD TZA			chg
8	060300416	1	SCREW BIND M3X4			DEL
9	048020346	1	RETAINING RING E2			DEL

2.PRINT MECHANISM

REF NO.	CODE	Q'TY	DESCRIPTION	MODEL	SPEC	REMARKS
10	LAE456001	1	SENSOR FRAME 12 ASSY			chg
11	LAB501001	1	SIDE SENSOR HOLDER TZA12	PT-D200BT		chg
12	LAB479001	1	SIDE SENSOR SPRING TZA12			chg
13	LAA143001	1	SENSOR HOLD PIN TZA12	PT-D200BT		
14	LAH401001	1	SIDE SENSOR ASSY 12 (SP)	PT-D200		add
14	LAH401001	1	SIDE SENSOR ASSY 12 (SP)	PT-D200*		add
14	LAH401001	1	SIDE SENSOR ASSY 12 (SP)	PT-D200BW		add
14	LAH401001	1	SIDE SENSOR ASSY 12 (SP)	PT-D200BWVP		add
14	LAH401001	1	SIDE SENSOR ASSY 12 (SP)	PT-D200CB		add
14	LAH401001	1	SIDE SENSOR ASSY 12 (SP)	PT-D200DA		add
14	LAH401001	1	SIDE SENSOR ASSY 12 (SP)	PT-D200DR		add
14	LAH401001	1	SIDE SENSOR ASSY 12 (SP)	PT-D200G		
14	LAH401001	1	SIDE SENSOR ASSY 12 (SP)	PT-D200KT		add
14	LAH401001	1	SIDE SENSOR ASSY 12 (SP)	PT-D200LB		
14	LAH401001	1	SIDE SENSOR ASSY 12 (SP)	PT-D200MA		add
14	LAH401001	1	SIDE SENSOR ASSY 12 (SP)	PT-D200RK		add
14	LAH401001	1	SIDE SENSOR ASSY 12 (SP)	PT-D200SA		add
14	LAH401001	1	SIDE SENSOR ASSY 12 (SP)	PT-D200SN		add
14	LAH401001	1	SIDE SENSOR ASSY 12 (SP)	PT-D200VP		add
14	LAH401001	1	SIDE SENSOR ASSY 12 (SP)	PT-D200VP*		add
14	LAH401001	1	SIDE SENSOR ASSY 12 (SP)	PT-D200WNVP		add
14	LAH401001	1	SIDE SENSOR ASSY 12 (SP)	PT-E200		add
14	LAH401001	1	SIDE SENSOR ASSY 12 (SP)	PT-E200VP		add

PT-D200* D200VP* are Black and White model
 ** Refer to Service Manual PageIII-9

3.COVERS



3.COVERS

REF No.	CODE	Q'TY	DESCRIPTION	MODEL	SPEC	REMARKS
1	LW8962001	1	UPPER COVER D200 US	PT-D200	FOR USA/BRA/IND/AUS	
1	LAB324001	1	UPPER COVER D200 CHN	PT-D200	FOR CHN	
1	LAC460001	1	UPPER COVER D200 TWN	PT-D200	FOR TWN	
1	LAD482001	1	UPPER COVER D200 ARE	PT-D200	FOR ARE	
1	LAC459001	1	UPPER COVER D200 HKG	PT-D200	FOR HKG	
1	LAB825001	1	UPPER COVER D200 KOR	PT-D200	FOR KOR	
1	LAA158002	1	UPPER COVER D200 EU	PT-D200	FOR RUS	
1	LAA158001	1	UPPER COVER D200 EU	PT-D200	FOR DEU/CAN/GBR/FRA/TUR/NLD/ CHE/DNK/ARG/ESP/THA/HUN	
1	LAA158002	1	UPPER COVER D200 EU	PT-D200*		
1	LW8962001	1	UPPER COVER D200 US	PT-D200BT		
1	LAA158002	1	UPPER COVER D200 EU	PT-D200BW		
1	LAA158002	1	UPPER COVER D200 EU	PT-D200BWVP		
1	LAA158001	1	UPPER COVER D200 EU	PT-D200CB		
1	LW8962003	1	UPPER COVER D200 US	PT-D200DA		
1	LAA158004	1	UPPER COVER D200 EU	PT-D200DR		
1	LW8962005	1	UPPER COVER D200 US	PT-D200G		
1	LAE943001	1	UPPER COVER D200 HKG KITTY	PT-D200KT	FOR HKG	
1	LAG432001	1	UPPER COVER D200 SGP KITTY	PT-D200KT	FOR SGP/THA/ZAF/PHL/MYS	
1	LAF871001	1	UPPER COVER D200 KOR KITTY	PT-D200KT	FOR KOR	
1	LAH722001	1	UPPER COVER D200 CHN KITTY	PT-D200KT	FOR CHN	
1	D00HPG001	1	UPPER COVER D200 TWN LINE	PT-D200LB	FOR TWN	
1	LAJ705001	1	UPPER COVER D200 HKG LINE	PT-D200LB	FOR HKG	
1	D00HPF001	1	UPPER COVER D200 KOR LINE	PT-D200LB	FOR KOR	
1	LW8962004	1	UPPER COVER D200 US	PT-D200MA		
1	LAG684001	1	UPPER COVER D200 TWN RILAKKUMA	PT-D200RK	FOR TWN	
1	LAG683001	1	UPPER COVER D200 HKG RILAKKUMA	PT-D200RK	FOR HKG	
1	LAJ773001	1	UPPER COVER D200 SGP RILAKKUMA	PT-D200RK	FOR SGP/THA/PHL	
1	LW8962002	1	UPPER COVER D200 US	PT-D200SA		
1	LAF869001	1	UPPER COVER D200 TWN SNOOPY	PT-D200SN	FOR TWN	
1	LAF870001	1	UPPER COVER D200 HKG SNOOPY	PT-D200SN	FOR HKG	
1	LAJ774001	1	UPPER COVER D200 CHN SNOOPY	PT-D200SN	FOR CHN	
1	LAA158001	1	UPPER COVER D200 EU	PT-D200VP	FOR GBR/DNK/CHE/NLD/FRA/DEU/ ESP/HUN	
1	LW8962001	1	UPPER COVER D200 US	PT-D200VP	FOR SGP	
1	LAA158002	1	UPPER COVER D200 EU	PT-D200VP	FOR RUS	
1	LAA158002	1	UPPER COVER D200 EU	PT-D200VP*		
1	LAA158003	1	UPPER COVER D200 EU	PT-D200WNVP		
1	LAB328001	1	UPPER COVER E200 CHN	PT-E200		
1	LAC807001	1	UPPER COVER E200	PT-E200VP	FOR THA	
1	LAD487001	1	UPPER COVER E200 TWN	PT-E200VP	FOR TWN	
1	LAD483001	1	UPPER COVER E200 ARE	PT-E200VP	FOR ARE	
2	LW8963001	1	CASSETTE COVER D200	PT-D200	FOR DEU/TUR/IND/NLD/CHE/DNK/ ESP/HUN	
2	LAB325001	1	CASSETTE COVER D200/E200	PT-D200	FOR USA/CAN/GBR/FRA/BRA/HKG/ AUS/ARG/THA/TWN/ARE/KOR/CHN	
2	LAB325002	1	CASSETTE COVER D200/E200	PT-D200	FOR RUS	
2	LAB325002	1	CASSETTE COVER D200/E200	PT-D200*		
2	LW8963001	1	CASSETTE COVER D200	PT-D200BT		
2	LAB325002	1	CASSETTE COVER D200/E200	PT-D200BW		
2	LAB325002	1	CASSETTE COVER D200/E200	PT-D200BWVP		
2	LAB325001	1	CASSETTE COVER D200/E200	PT-D200CB		
2	LW8963003	1	CASSETTE COVER D200	PT-D200DA		
2	LAB325005	1	CASSETTE COVER D200/E200	PT-D200DR		chg
2	LAB325001	1	CASSETTE COVER D200/E200	PT-D200G		
2	LAB325003	1	CASSETTE COVER D200/E200	PT-D200KT		
2	LAB325003	1	CASSETTE COVER D200/E200	PT-D200LB		
2	LW8963004	1	CASSETTE COVER D200	PT-D200MA		
2	LAB325004	1	CASSETTE COVER D200/E200	PT-D200RK		
2	LW8963002	1	CASSETTE COVER D200	PT-D200SA		
2	LAB325003	1	CASSETTE COVER D200/E200	PT-D200SN		
2	LW8963001	1	CASSETTE COVER D200	PT-D200VP	FOR GBR/DNK/CHE/NLD/FRA/SGP/ ESP/HUN	
2	LAB325001	1	CASSETTE COVER D200/E200	PT-D200VP	FOR DEU	
2	LAB325002	1	CASSETTE COVER D200/E200	PT-D200VP	FOR RUS	
2	LAB325002	1	CASSETTE COVER D200/E200	PT-D200VP*		

3.COVERS

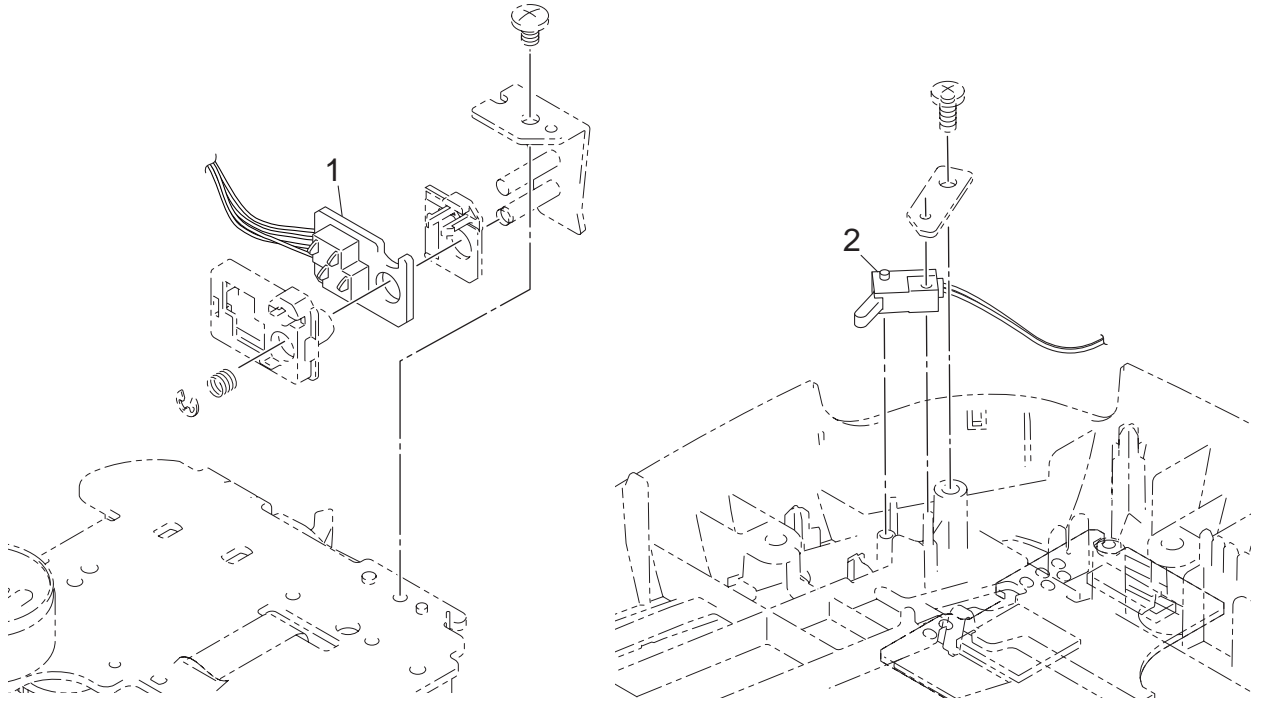
REF No.	CODE	Q'TY	DESCRIPTION	MODEL	SPEC	REMARKS
2	LAB325003	1	CASSETTE COVER D200/E200	PT-D200WNVP		
2	LAB325002	1	CASSETTE COVER D200/E200	PT-E200		
2	LAB325002	1	CASSETTE COVER D200/E200	PT-E200VP		
3	LN6779002	1	HOLDER CAM 1280			
4	LAA145001	1	FLAME COVER D200	PT-D200		
4	LAA145001	1	FLAME COVER D200	PT-D200*		
4	LAA145001	1	FLAME COVER D200	PT-D200BT		
4	LAA145001	1	FLAME COVER D200	PT-D200BW		
4	LAA145001	1	FLAME COVER D200	PT-D200BWVP		
4	LAA145001	1	FLAME COVER D200	PT-D200CB		
4	LAA145003	1	FLAME COVER D200	PT-D200DA		
4	LAA145001	1	FLAME COVER D200	PT-D200DR		
4	LAA145004	1	FLAME COVER D200	PT-D200G		
4	LAA145005	1	FLAME COVER D200	PT-D200KT		
4	LAA145008	1	FLAME COVER D200	PT-D200LB		
4	LAA145001	1	FLAME COVER D200	PT-D200MA		
4	LAA145007	1	FLAME COVER D200	PT-D200RK		
4	LAA145001	1	FLAME COVER D200	PT-D200SA		
4	LAA145006	1	FLAME COVER D200	PT-D200SN		
4	LAA145001	1	FLAME COVER D200	PT-D200VP		
4	LAA145001	1	FLAME COVER D200	PT-D200VP*		
4	LAA145004	1	FLAME COVER D200	PT-D200WNVP		
4	LAA145002	1	FLAME COVER D200	PT-E200		
4	LAA145002	1	FLAME COVER D200	PT-E200VP		
5	LW8964001	1	LCD PANEL D200	PT-D200	FOR USA/DEU/CAN/GBR/FRA/BRA/ TUR/IND/NLD/CHE/DNK/HKG/AUS/ ARG/ESP/THA/TWN/ARE/KOR/CHN/ HUN	
5	LW8964002	1	LCD PANEL D200	PT-D200	FOR RUS	
5	LW8964002	1	LCD PANEL D200	PT-D200*		
5	LW8964001	1	LCD PANEL D200	PT-D200BT		
5	LW8964002	1	LCD PANEL D200	PT-D200BW		
5	LW8964002	1	LCD PANEL D200	PT-D200BWVP		
5	LW8964001	1	LCD PANEL D200	PT-D200CB		
5	LW8964001	1	LCD PANEL D200	PT-D200DA		
5	LW8964001	1	LCD PANEL D200	PT-D200DR		
5	LW8964001	1	LCD PANEL D200	PT-D200G		
5	LAE944001	1	LCD PANEL D200 KITTY	PT-D200KT		
5	LAJ706001	1	LCD PANEL D200 LINE	PT-D200LB	FOR TWN/HKG	
5	D00LGT001	1	LCD PANEL D200 KOR LINE	PT-D200LB	FOR KOR	
5	LW8964002	1	LCD PANEL D200	PT-D200MA		
5	LAG685001	1	LCD PANEL D200 RILAKKUMA	PT-D200RK		
5	LW8964001	1	LCD PANEL D200	PT-D200SA		
5	LAF872001	1	LCD PANEL D200 SNOOPY	PT-D200SN		
5	LW8964001	1	LCD PANEL D200	PT-D200VP	FOR GBR/DNK/CHE/NLD/FRA/DEU/ SGP/ESP/HUN	
5	LW8964002	1	LCD PANEL D200	PT-D200VP	FOR RUS	
5	LW8964002	1	LCD PANEL D200	PT-D200VP*		
5	LW8964001	1	LCD PANEL D200	PT-D200WNVP		
5	LW8964002	1	LCD PANEL D200	PT-E200		
5	LW8964002	1	LCD PANEL D200	PT-E200VP		
6	LAA147001	1	CASSETTE PANEL D200			
7	LAF249001	1	BOTTOM COVER D200	PT-D200		chg
7	LAF249001	1	BOTTOM COVER D200	PT-D200*		chg
7	LW8965001	1	BOTTOM COVER D200	PT-D200BT		
7	LAF249001	1	BOTTOM COVER D200	PT-D200BW		chg
7	LAF249001	1	BOTTOM COVER D200	PT-D200BWVP		chg
7	LAF249001	1	BOTTOM COVER D200	PT-D200CB		chg
7	LAF249003	1	BOTTOM COVER D200	PT-D200DA		chg
7	LAF249001	1	BOTTOM COVER D200	PT-D200DR		chg
7	LAF249004	1	BOTTOM COVER D200	PT-D200G		
7	LAF249005	1	BOTTOM COVER D200	PT-D200KT		
7	LAF249008	1	BOTTOM COVER D200	PT-D200LB		
7	LAF249001	1	BOTTOM COVER D200	PT-D200MA		chg
7	LAF249007	1	BOTTOM COVER D200	PT-D200RK		
7	LAF249001	1	BOTTOM COVER D200	PT-D200SA		chg
7	LAF249006	1	BOTTOM COVER D200	PT-D200SN		
7	LAF249001	1	BOTTOM COVER D200	PT-D200VP		chg
7	LAF249001	1	BOTTOM COVER D200	PT-D200VP*		chg

3.COVERS

REF NO.	CODE	Q'TY	DESCRIPTION	MODEL	SPEC	REMARKS
7	LAF249004	1	BOTTOM COVER D200	PT-D200WNVP		chg
7	LAF249002	1	BOTTOM COVER D200	PT-E200		chg
7	LAF249002	1	BOTTOM COVER D200	PT-E200VP		chg
8	LAA146001	1	CUTTER BLIND COVER			
9	085270616	7	TAPTITE BIND B M2.6X6			DEL
10	085271017	6	TAPTITE BIND B M2.6X10			DEL
11	LAA148001	3	BATTERY SPRING PLUS/MINUS			
12	LA3228000	2	BATTERY TERMINAL B (+ -)			
13	LW3476001	1	TERMINAL PRESS COVER 1290			
14	LAB035001	1	SW HOLD PLATE			
15	LA5753001	2	LOWER FOOT 2300			
16	LW4062001	1	FCC LABEL S CAN		FOR CAN	
16	LW3670001	1	FCC LABEL S		FOR USA	
17	LAA595001	1	QUICK STICKER D200 US		FOR USA	DEL
(18)	LW0985001	1	CHINA ROHS STICKER 10	PT-D200	FOR CHN	DEL
(18)	LW0985001	1	CHINA ROHS STICKER 10	PT-E200		DEL
(19)	LW1476001	1	CHINA PRODUCTION DATE LABEL		FOR CHN	DEL
(20)	LAB783001	1	INFORMATION LABEL CHN	PT-D200	FOR CHN	del
(20)	LAB783001	1	INFORMATION LABEL CHN	PT-E200		del
(21)	LAD607001	1	NOM LABEL	PT-D200	FOR USA	del
(21)	LAD607001	1	NOM LABEL	PT-D200DA		del
(22)	LW7693001	1	KOR PRODUCTION DATE LABEL	PT-D200	FOR KOR	DEL
(22)	LW7693001	1	KOR PRODUCTION DATE LABEL	PT-D200KT	FOR KOR	DEL
(23)	LAE876001	1	BIS LABEL IND S	PT-D200	FOR IND	DEL
(24)	LAE346001	1	EAC LABEL RUS WHITE		FOR RUS	DEL
(25)	LAE547001	1	RUSSIA MACHINE STICKER		FOR RUS	DEL
(26)	LAF874001	1	SANRIO KOREA LICENSE LABEL	PT-D200KT	FOR KOR	DEL

PT-D200* D200VP* are Black and White model

4.SENSOR UNIT

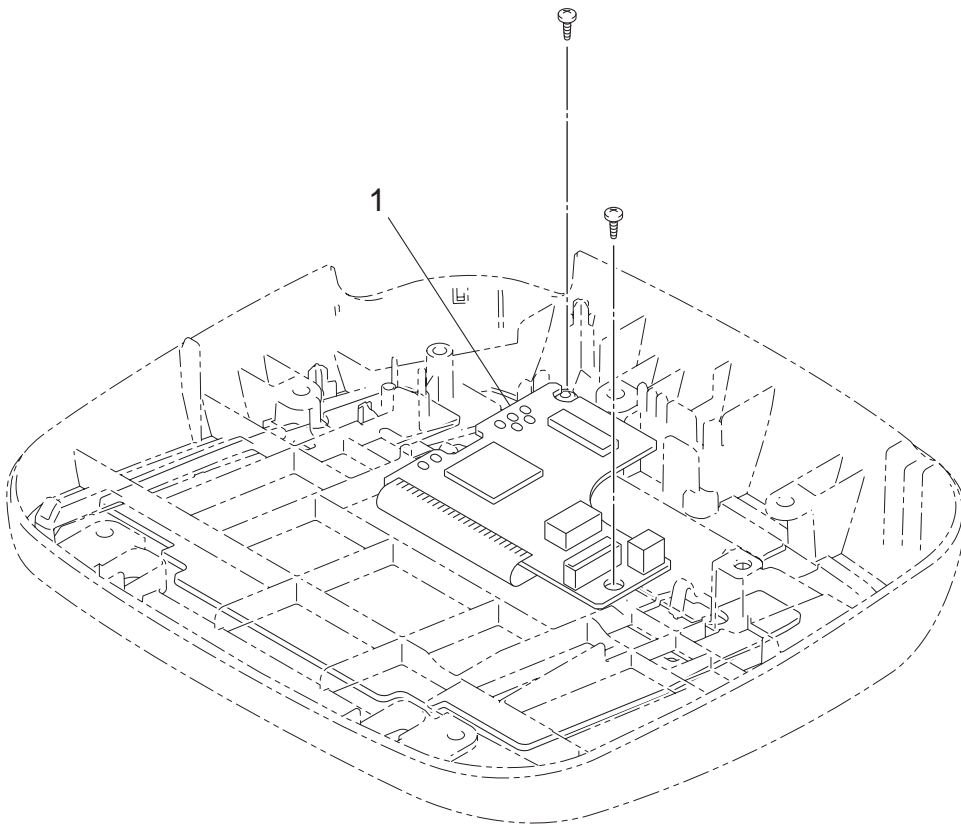
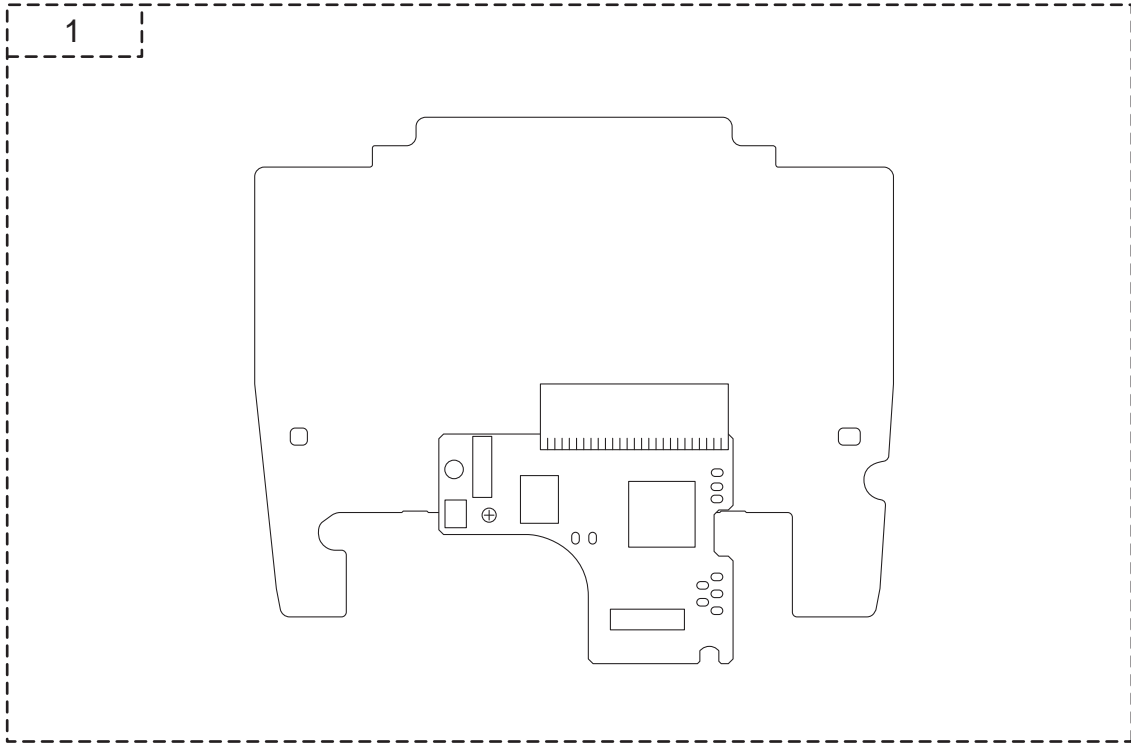


4.SENSOR UNIT

REF NO.	CODE	Q'TY	DESCRIPTION	MODEL	SPEC	REMARKS
1	LA117001	1	SIDE SENSOR PCB ASSY D200	PT-D200BT		
2	LW3846001	1	CUTTER SENSOR ASSY 1090			

PT-D200* D200VP* are Black and White model

5.MAIN PCB

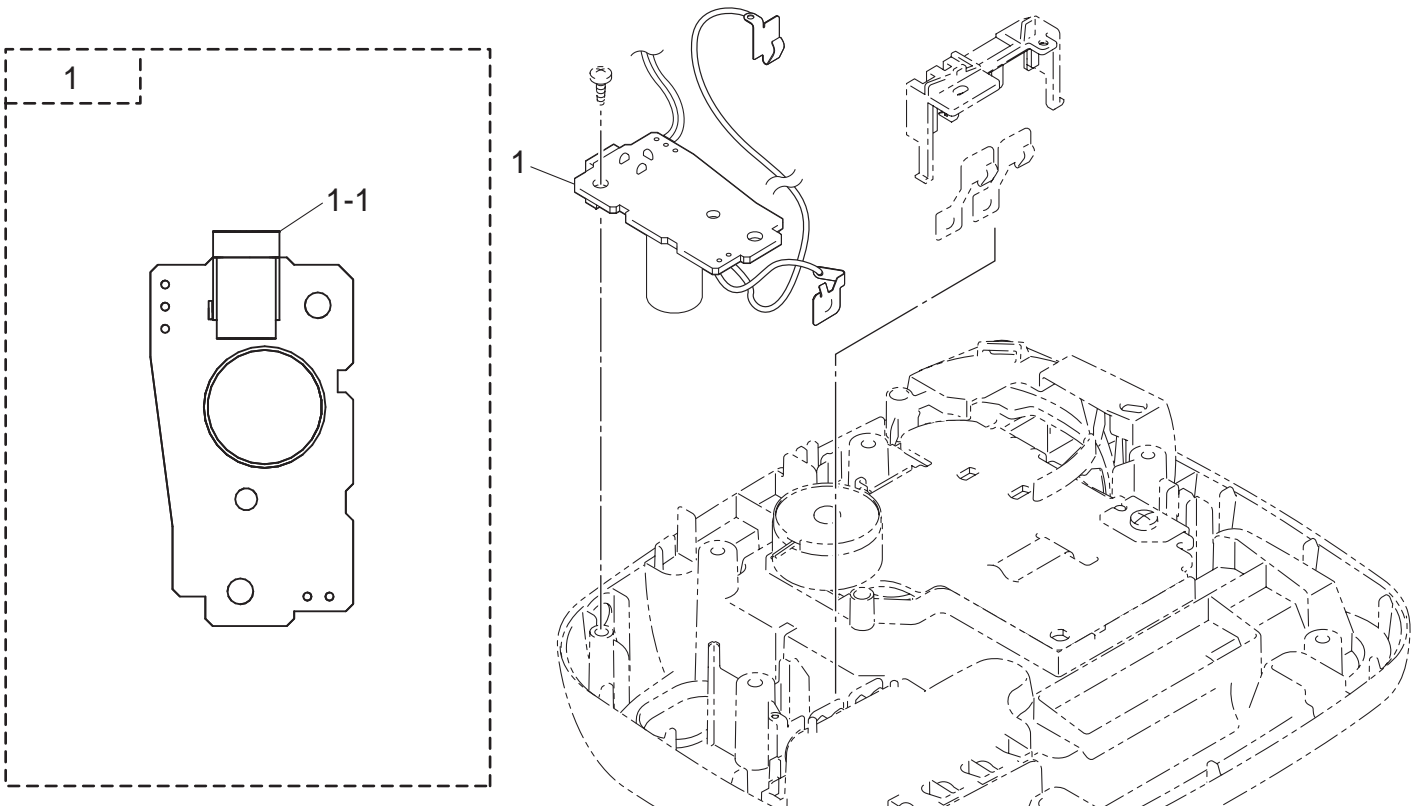


5.MAIN PCB

REF NO.	CODE	Q'TY	DESCRIPTION	MODEL	SPEC	REMARKS
1	LAF307007	1	MAIN PCB ASSY PT-D200		FOR ARE	chg
1	LAF307008	1	MAIN PCB ASSY PT-D200		FOR RUS	
1	LAF307002	1	MAIN PCB ASSY PT-D200	PT-D200	FOR DEU/NLD/CHE/DNK/ESP/HUN	chg
1	LAF307003	1	MAIN PCB ASSY PT-D200	PT-D200	FOR CHN	chg
1	LAF307006	1	MAIN PCB ASSY PT-D200	PT-D200	FOR HKG/TWN	chg
1	LAJ234001	1	MAIN PCB ASSY PT-D200	PT-D200	FOR AUS	CHG
1	LAF307004	1	MAIN PCB ASSY PT-D200	PT-D200	FOR THA	chg
1	LAJ234002	1	MAIN PCB ASSY PT-D200	PT-D200	FOR USA/CAN/GBR/FRA/BRA/TUR/ IND/ARG	ADD
1	LAF307005	1	MAIN PCB ASSY PT-D200	PT-D200	FOR KOR	chg
1	LAJ234002	1	MAIN PCB ASSY PT-D200	PT-D200*		CHG
1	LAA116002	1	MAIN PCB ASSY PT-D200	PT-D200BT		
1	LAJ234002	1	MAIN PCB ASSY PT-D200	PT-D200BW		CHG
1	LAJ234002	1	MAIN PCB ASSY PT-D200	PT-D200BWVP		CHG
1	LAJ234002	1	MAIN PCB ASSY PT-D200	PT-D200CB		CHG
1	LAJ234002	1	MAIN PCB ASSY PT-D200	PT-D200DA		CHG
1	LAJ234002	1	MAIN PCB ASSY PT-D200	PT-D200DR		CHG
1	LAJ234002	1	MAIN PCB ASSY PT-D200	PT-D200G		
1	LAF307009	1	MAIN PCB ASSY PT-D200	PT-D200KT	FOR HKG	
1	LAF307012	1	MAIN PCB ASSY PT-D200	PT-D200KT	FOR SGP/ZAF/PHL/MYS	
1	LAF307013	1	MAIN PCB ASSY PT-D200	PT-D200KT	FOR THA	
1	LAF307010	1	MAIN PCB ASSY PT-D200	PT-D200KT	FOR KOR	
1	LAF307015	1	MAIN PCB ASSY PT-D200	PT-D200KT	FOR CHN	
1	LAF307016	1	MAIN PCB ASSY PT-D200	PT-D200LB	FOR TWN/HKG	
1	LAF307020	1	MAIN PCB ASSY PT-D200	PT-D200LB	FOR KOR	
1	LAJ234002	1	MAIN PCB ASSY PT-D200	PT-D200MA		CHG
1	LAF307018	1	MAIN PCB ASSY PT-D200	PT-D200RK	FOR SGP/PHL	
1	LAF307019	1	MAIN PCB ASSY PT-D200	PT-D200RK	FOR THA	
1	LAF307014	1	MAIN PCB ASSY PT-D200	PT-D200RK	FOR HKG/TWN	
1	LAJ234002	1	MAIN PCB ASSY PT-D200	PT-D200SA		CHG
1	LAF307011	1	MAIN PCB ASSY PT-D200	PT-D200SN	FOR TWN/HKG	
1	LAF307017	1	MAIN PCB ASSY PT-D200	PT-D200SN	FOR CHN	
1	LAF307002	1	MAIN PCB ASSY PT-D200	PT-D200VP	FOR GBR/DNK/CHE/NLD/FRA/ESP/ HUN	chg
1	LAJ234002	1	MAIN PCB ASSY PT-D200	PT-D200VP	FOR DEU	ADD
1	LAF307001	1	MAIN PCB ASSY PT-D200	PT-D200VP	FOR SGP	chg
1	LAJ234002	1	MAIN PCB ASSY PT-D200	PT-D200VP*		CHG
1	LAJ234002	1	MAIN PCB ASSY PT-D200	PT-D200WNVP		CHG
1	LAF307003	1	MAIN PCB ASSY PT-D200	PT-E200		chg
1	LAF307004	1	MAIN PCB ASSY PT-D200	PT-E200VP	FOR THA	chg
1	LAF307006	1	MAIN PCB ASSY PT-D200	PT-E200VP	FOR TWN	chg

PT-D200* D200VP* are Black and White model

6. POWER SUPPLY PCB

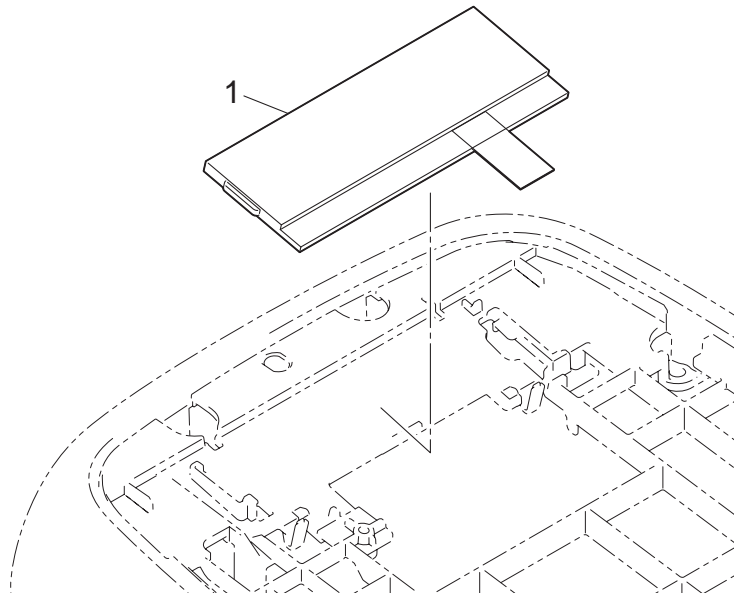


6.POWER SUPPLY PCB

REF NO.	CODE	Q'TY	DESCRIPTION	MODEL	SPEC	REMARKS
1	LAB300001	1	POWER PCB ASSY D200CHN		FOR CHN	
1	LW3510001	1	POWER PCB ASSY 1290		FOR USA/DEU/TWN/HKG/SGP/THA/ ZAF/KOR/PHL/MYS/CAN/GBR/FRA/ BRA/DNK/TUR/IND/NLD/CHE/AUS/ ARG/ESP/ARE/HUN/RUS	
1-1	W00325001	1	JACK:HEC0470			

PT-D200* D200VP* are Black and White model

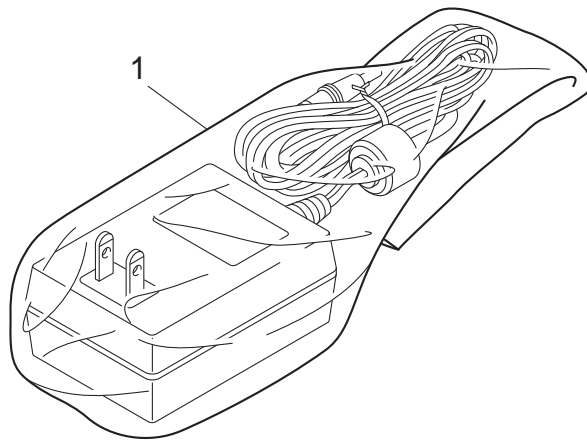
7.LCD UNIT



7.LCD UNIT

REF NO.	CODE	Q'TY	DESCRIPTION	MODEL	SPEC	REMARKS
1	A40222001	1	LCDM:BTG-12816CA	PT-D200* D200VP* are Black and White model		

8.ACCESSORY

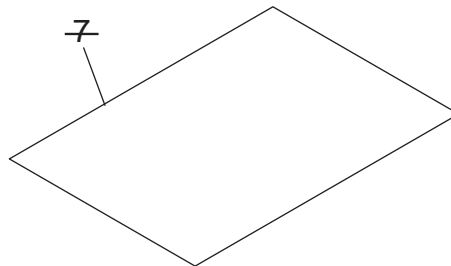
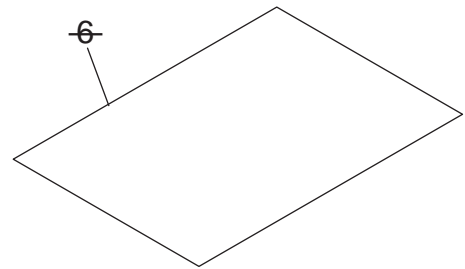
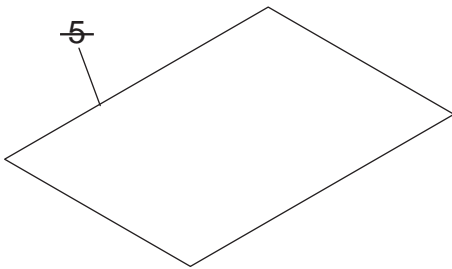
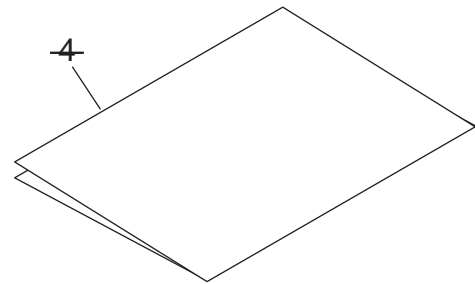
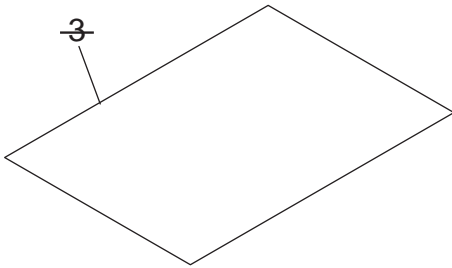
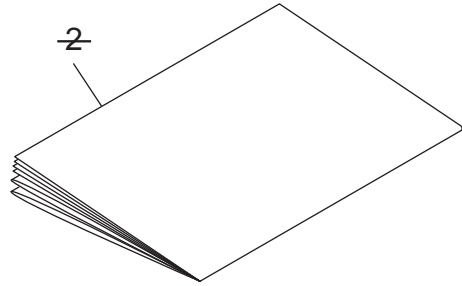
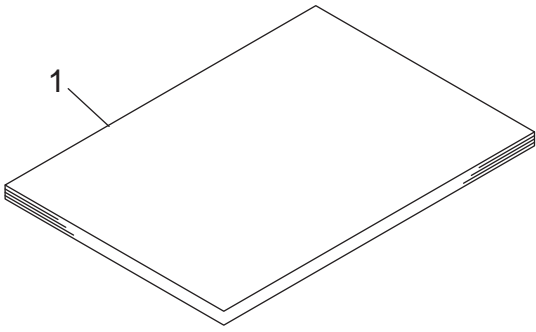


8.ACCESSORY

REF NO.	CODE	Q'TY	DESCRIPTION	MODEL	SPEC	REMARKS
1	LAE243001	1	ADAPTER AD-24ES US	PT-D200	FOR TWN	chg
1	LAB732001	1	ADAPTER AD-24 CHN	PT-D200	FOR CHN	chg
1	LAF389001	1	ADAPTER AD-24ES EU	PT-D200BWVP		chg
1	LAB732001	1	ADAPTER AD-24 CHN	PT-D200SN	FOR CHN	
1	LW4672001	1	ADAPTER AD-24ES UK	PT-D200VP	FOR GBR/SGP	
1	LAF389001	1	ADAPTER AD-24ES EU	PT-D200VP	FOR DNK/CHE/NLD/FRA/DEU/ESP/ HUN/RUS	chg
1	LW4672001	1	ADAPTER AD-24ES UK	PT-D200VP*	FOR GBR	
1	LAF389001	1	ADAPTER AD-24ES EU	PT-D200VP*	FOR CHE/NLD/DNK/FRA/HUN	chg
1	LAF389001	1	ADAPTER AD-24ES EU	PT-D200WNVP		chg
1	LAB732001	1	ADAPTER AD-24 CHN	PT-E200		chg
1	LAF389001	1	ADAPTER AD-24ES EU	PT-E200VP	FOR THA	chg
1	LAE243001	1	ADAPTER AD-24ES US	PT-E200VP	FOR TWN	chg
1	LW4672001	1	ADAPTER AD-24ES UK	PT-E200VP	FOR ARE	

PT-D200* D200VP* are Black and White model

9.PRINTED MATTER



9.PRINTED MATTER

REF NO.	CODE	Q'TY	DESCRIPTION	MODEL	SPEC	REMARKS
1	LAD388001	1	USER'S MANUAL D200/E200 ARE		FOR ARE	
1	LAA688001	1	USER'S MANUAL D200 CAN		FOR CAN	
1	LAA655001	1	USER'S MANUAL D200 SPA/POR		FOR ESP	
1	LAB838001	1	USER'S MANUAL D200 HK		FOR HKG	
1	D00FSM001	1	USER'S MANUAL D200 RUS/BGR		FOR RUS	CHG
1	LAD811001	1	USER'S MANUAL D200 KAZ/BLR		FOR RUS	
1	LAJ388001	1	USER'S MANUAL D200 TWN		FOR TWN	CHG
1	D00FSG001	1	USER'S MANUAL D200 SPA/POR	PT-D200	FOR ARG	ADD
1	LAA689001	1	USER'S MANUAL D200 AUS	PT-D200	FOR IND/AUS	
1	LAA652001	1	USER'S MANUAL D200 FRE/DUT	PT-D200	FOR NLD/CHE	
1	LAB579001	1	USER'S MANUAL D200 THA	PT-D200	FOR THA	
1	LAA657001	1	USER'S MANUAL D200 POL/HUN	PT-D200	FOR HUN	
1	LAA658001	1	USER'S MANUAL D200 SVK/SVN	PT-D200	FOR HUN	
1	LAB578001	1	USER'S MANUAL D200 KOR	PT-D200	FOR KOR	
1	LAA618001	1	USER'S MANUAL D200 GBR	PT-D200	FOR HUN	
1	LAH536001	1	USER'S MANUAL D200 CHN	PT-D200	FOR CHN	chg
1	LAA723001	1	USER'S MANUAL D200 US	PT-D200	FOR USA	chg
1	LAA659001	1	USER'S MANUAL D200 CRO/ROM	PT-D200	FOR HUN	
1	LAA656001	1	USER'S MANUAL D200 CZE/BUL	PT-D200	FOR HUN	
1	LAA651001	1	USER'S MANUAL D200 GER/ITA	PT-D200	FOR DEU/NLD/CHE	
1	D00FSB001	1	USER'S MANUAL D200 GBR	PT-D200	FOR GBR	ADD
1	LAA653001	1	USER'S MANUAL D200 DAN/SWE	PT-D200	FOR DNK	
1	D00FSD001	1	USER'S MANUAL D200 FRE/DUT	PT-D200	FOR FRA	ADD
1	LAB012001	1	USER'S MANUAL D200 BRA	PT-D200	FOR BRA	
1	LAA654001	1	USER'S MANUAL D200 NOR/FIN	PT-D200	FOR DNK	
1	LAA690001	1	USER'S MANUAL D200 TUR	PT-D200	FOR TUR	
1	D00FSL001	1	USER'S MANUAL D200 CRO/ROM	PT-D200*	FOR HUN	CHG
1	D00FSG001	1	USER'S MANUAL D200 SPA/POR	PT-D200*	FOR NLD	CHG
1	D00FSJ001	1	USER'S MANUAL D200 POL/HUN	PT-D200*	FOR HUN	CHG
1	D00FSK001	1	USER'S MANUAL D200 SVK/SVN	PT-D200*	FOR HUN	CHG
1	D00FSD001	1	USER'S MANUAL D200 FRE/DUT	PT-D200*	FOR FRA/NLD/CHE	CHG
1	D00FSB001	1	USER'S MANUAL D200 GBR	PT-D200*	FOR HUN	CHG
1	D00FSC001	1	USER'S MANUAL D200 GER/ITA	PT-D200*	FOR NLD/CHE/DEU	CHG
1	D00FSH001	1	USER'S MANUAL D200 CZE/BUL	PT-D200*	FOR HUN	CHG
1	LAA723001	1	USER'S MANUAL D200 US	PT-D200BT		chg
1	D00FSC001	1	USER'S MANUAL D200 GER/ITA	PT-D200BWVP		CHG
1	D00FSC001	1	USER'S MANUAL D200 GER/ITA	PT-D200CB		CHG
1	LAA723001	1	USER'S MANUAL D200 US	PT-D200DA		chg
1	D00JNC001	1	USER'S MANUAL D200G US ENG	PT-D200G		
1	D00KGR001	1	USER'S MANUAL D200G US SPA	PT-D200G		
1	LAA689001	1	USER'S MANUAL D200 AUS	PT-D200KT	FOR SGP/ZAF/PHL/MYS	
1	LAG435001	1	USER'S MANUAL D200KT THA	PT-D200KT	FOR THA	
1	LAF512001	1	USER'S MANUAL D200 KOR KITTY	PT-D200KT	FOR KOR	
1	LAJ664001	1	USER'S MANUAL D200/E200 CHN	PT-D200KT	FOR CHN	CHG
1	LAK180001	1	USER'S MANUAL D200 KOR LINE	PT-D200LB	FOR KOR	
1	LAA723001	1	USER'S MANUAL D200 US	PT-D200MA		chg
1	LAA689001	1	USER'S MANUAL D200 AUS	PT-D200RK	FOR SGP/PHL	
1	LAG435001	1	USER'S MANUAL D200KT THA	PT-D200RK	FOR THA	
1	LAA723001	1	USER'S MANUAL D200 US	PT-D200SA		chg
1	LAJ664001	1	USER'S MANUAL D200/E200 CHN	PT-D200SN	FOR CHN	
1	LAA618001	1	USER'S MANUAL D200 GBR	PT-D200VP	FOR GBR/HUN	
1	LAA653001	1	USER'S MANUAL D200 DAN/SWE	PT-D200VP	FOR DNK	
1	LAA654001	1	USER'S MANUAL D200 NOR/FIN	PT-D200VP	FOR DNK	
1	LAA652001	1	USER'S MANUAL D200 FRE/DUT	PT-D200VP	FOR CHE/NLD	
1	LAA651001	1	USER'S MANUAL D200 GER/ITA	PT-D200VP	FOR CHE/NLD	
1	D00FSC001	1	USER'S MANUAL D200 GER/ITA	PT-D200VP	FOR DEU	ADD
1	LAF262001	1	USER'S MANUAL D200VP SGP	PT-D200VP	FOR SGP	
1	LAA656001	1	USER'S MANUAL D200 CZE/BUL	PT-D200VP	FOR HUN	
1	LAA657001	1	USER'S MANUAL D200 POL/HUN	PT-D200VP	FOR HUN	
1	LAA658001	1	USER'S MANUAL D200 SVK/SVN	PT-D200VP	FOR HUN	
1	LAA659001	1	USER'S MANUAL D200 CRO/ROM	PT-D200VP	FOR HUN	
1	D00FSH001	1	USER'S MANUAL D200 CZE/BUL	PT-D200VP*	FOR HUN	CHG
1	D00FSJ001	1	USER'S MANUAL D200 POL/HUN	PT-D200VP*	FOR HUN	CHG
1	D00FSK001	1	USER'S MANUAL D200 SVK/SVN	PT-D200VP*	FOR HUN	CHG
1	D00FSL001	1	USER'S MANUAL D200 CRO/ROM	PT-D200VP*	FOR HUN	CHG
1	D00FSB001	1	USER'S MANUAL D200 GBR	PT-D200VP*	FOR GBR/HUN	CHG
1	D00FSC001	1	USER'S MANUAL D200 GER/ITA	PT-D200VP*	FOR CHE/NLD	CHG
1	D00FSD001	1	USER'S MANUAL D200 FRE/DUT	PT-D200VP*	FOR CHE/NLD/FRA	CHG
1	D00FSG001	1	USER'S MANUAL D200 SPA/POR	PT-D200VP*	FOR NLD	CHG

9.PRINTED MATTER

REF NO.	CODE	Q'TY	DESCRIPTION	MODEL	SPEC	REMARKS
1	D00FSE001	1	USER'S MANUAL D200 DAN/SWE	PT-D200VP*	FOR DNK	CHG
1	D00FSF001	1	USER'S MANUAL D200 NOR/FIN	PT-D200VP*	FOR DNK	CHG
1	D00FSC001	1	USER'S MANUAL D200 GER/ITA	PT-D200WNVP		CHG
1	LAJ664001	1	USER'S MANUAL D200/E200 CHN	PT-E200		CHG
1	LAB579001	1	USER'S MANUAL D200 THA	PT-E200VP	FOR THA	
2	LAD397001	1	INSERTION D200/E200 ARE		FOR ARE	DEL
2	LAD851001	1	INSERTION D200 RUS		FOR RUS	DEL
2	LAA477001	1	INSERTION D200	PT-D200	FOR USA/DEU/CAN/GBR/FRA/BRA/ TUR/IND/NLD/CHE/DNK/AUS/ARG/ ESP/HUN	DEL
2	LAD986001	1	INSERTION D200/E200 CHN	PT-D200	FOR CHN	DEL
2	LAA209001	1	TAPE CATALOG CIV AP	PT-D200	FOR THA	DEL
2	LAA207001	1	TAPE CATALOG RETAIL AP	PT-D200	FOR TUR/IND/AUS/ARE	DEL
2	LAB845001	1	INSERTION D200 HK/TW	PT-D200	FOR HKG/TWN	DEL
2	LW3688001	1	INSERTION ARGENTINA	PT-D200	FOR ARG	DEL
2	LAA477001	1	INSERTION D200	PT-D200*		DEL
2	LAA477001	1	INSERTION D200	PT-D200BT		DEL
2	LAA477001	1	INSERTION D200	PT-D200BW		DEL
2	LAA477001	1	INSERTION D200	PT-D200BWVP		DEL
2	LAA477001	1	INSERTION D200	PT-D200CB		DEL
2	LAA477001	1	INSERTION D200	PT-D200DA		DEL
2	LAA477001	1	INSERTION D200	PT-D200DR		DEL
2	LAF992001	1	INSERTION D200 HK KITTY	PT-D200KT	FOR HKG	DEL
2	LAG425001	1	INSERTION D200 SGP KITTY	PT-D200KT	FOR SGP/PHL	DEL
2	LAG426001	1	INSERTION D200 THA KITTY	PT-D200KT	FOR THA	DEL
2	LAH359001	1	INSERTION D200 CHN KITTY	PT-D200KT	FOR CHN	DEL
2	LAA477001	1	INSERTION D200	PT-D200MA		DEL
2	LAF978001	1	INSERTION D200 HK/TW RK	PT-D200RK	FOR HKG/TWN	DEL
2	LAA477001	1	INSERTION D200	PT-D200SA		DEL
2	LAF873001	1	INSERTION D200 HK/TW SNOOPY	PT-D200SN	FOR TWN/HKG	DEL
2	LAA477001	1	INSERTION D200	PT-D200VP	FOR GBR/DNK/CHE/NLD/FRA/DEU/ SGP/ESP/HUN	DEL
2	LAA207001	1	TAPE CATALOG RETAIL AP	PT-D200VP	FOR SGP	DEL
2	LAA477001	1	INSERTION D200	PT-D200VP*		DEL
2	LAA477001	1	INSERTION D200	PT-D200WNVP		DEL
2	LAD986001	1	INSERTION D200/E200 CHN	PT-E200		DEL
2	LAA209001	1	TAPE CATALOG CIV AP	PT-E200VP		DEL
3	LAA719001	1	TZE TAPE CATALOG CAN		FOR CAN	DEL
3	LAD582001	1	TAPE CATALOG CHN		FOR CHN	DEL
3	LW7733001	1	TAPE CATALOG OFFICE A		FOR DEU/GBR/FRA/NLD/CHE/ESP	DEL
3	LW7734001	1	TAPE CATALOG OFFICE B		FOR DNK/RUS	DEL
3	LW7735001	1	TAPE CATALOG OFFICE C		FOR HUN/RUS	DEL
3	LAA208001	1	TAPE CATALOG OFFICE AP	PT-D200	FOR HKG/TWN/KOR	DEL
3	LAB809001	1	TZE TAPE CATALOG USA	PT-D200	FOR USA/BRA/ARG	DEL
3	LAB809001	1	TZE TAPE CATALOG USA	PT-D200BT		DEL
3	LAB809001	1	TZE TAPE CATALOG USA	PT-D200DA		DEL
3	LAA208001	1	TAPE CATALOG OFFICE AP	PT-D200KT	FOR HKG/SGP/THA/KOR/PHL	DEL
3	LAB809001	1	TZE TAPE CATALOG USA	PT-D200MA		DEL
3	LAA208001	1	TAPE CATALOG OFFICE AP	PT-D200RK		DEL
3	LAB809001	1	TZE TAPE CATALOG USA	PT-D200SA		DEL
3	LAA208001	1	TAPE CATALOG OFFICE AP	PT-D200SN	FOR TWN/HKG	DEL
4	LW3356001	1	1YEAR WARRANTY CARD CAN		FOR CAN	DEL
4	LW3773001	1	WARRANTY CARD CHINA		FOR CHN	DEL
4	LM2652001	1	WARRANTY CARD POR		FOR ESP	del
4	LJ5400001	1	WARRANTY CARD SPA		FOR ESP	del
4	LW2661001	1	WARRANTY CARD FRA		FOR FRA	DEL
4	LM4756001	1	WARRANTY CARD IRE		FOR GBR	del
4	LW2157001	1	3YEAR WARRANTY CARD UK		FOR GBR	del
4	LW6916001	1	WARRANTY CARD EURO		FOR GBR/FRA/DNK/NLD/CHE/ESP	DEL
4	LA4592001	1	WARRANTY CARD HONG KONG		FOR HKG	DEL
4	LW3135001	1	CEE WARRANTY CARD		FOR HUN/RUS	DEL
4	LAH381001	1	WARRANTY CARD RUSSIA		FOR RUS	DEL
4	LX7910001	1	WARRANTY CARD TWN		FOR TWN	DEL
4	LAB811001	1	WARRANTY CARD USA CH		FOR USA	DEL
4	LS1027001	1	WARRANTY CARD BRZ	PT-D200	FOR BRA	DEL
4	LU8520001	1	WARRANTY CARD TUR 4	PT-D200	FOR TUR	DEL
4	LAG048001	1	LOCAL WARRANTY INSTRUCTION	PT-D200	FOR GBR/ESP	DEL
4	LAG048001	1	LOCAL WARRANTY INSTRUCTION	PT-D200*	FOR FRA/NLD/CHE/HUN	DEL
4	LAG048001	1	LOCAL WARRANTY INSTRUCTION	PT-D200VP	FOR GBR/ESP	DEL

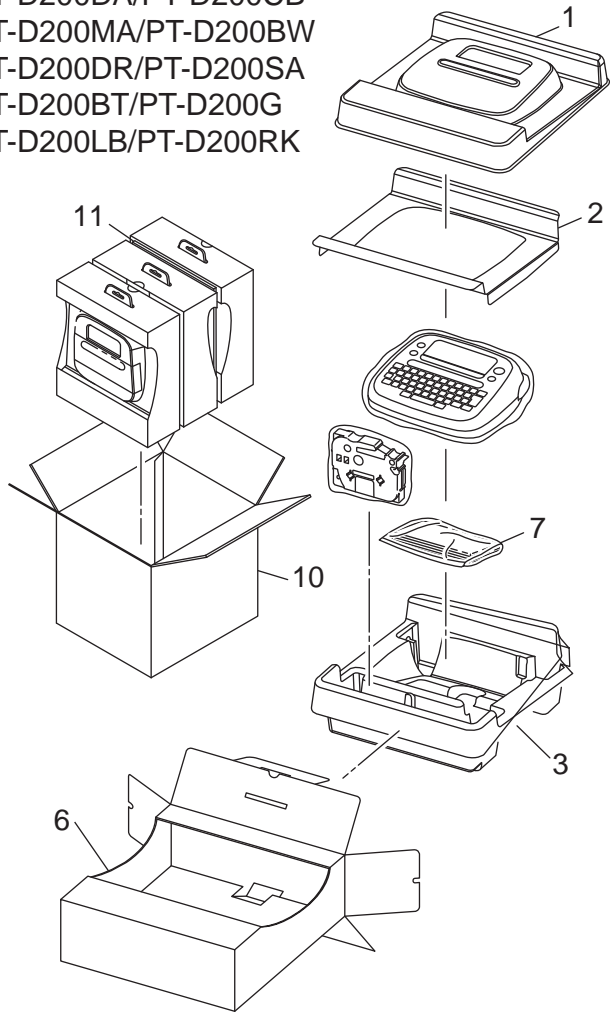
9.PRINTED MATTER

REF NO.	CODE	Q'TY	DESCRIPTION	MODEL	SPEC	REMARKS
4	LAA048001	1	LOCAL WARRANTY INSTRUCTION	PT-D200VP*		DEL
5	LAA645001	1	ACCESSORY ORDER FORM LIST	PT-D200	FOR USA	DEL
5	LAB015001	1	ACCESSORY ORDER FORM LIST	PT-D200	FOR CAN	DEL
			CAN			
5	LAA645001	1	ACCESSORY ORDER FORM LIST	PT-D200BT		DEL
5	LAB015001	1	ACCESSORY ORDER FORM LIST	PT-D200BW		DEL
			CAN			
5	LAA645001	1	ACCESSORY ORDER FORM LIST	PT-D200DA		DEL
5	LAB015001	1	ACCESSORY ORDER FORM LIST	PT-D200DR		DEL
			CAN			
5	LAA645001	1	ACCESSORY ORDER FORM LIST	PT-D200MA		DEL
5	LAA645001	1	ACCESSORY ORDER FORM LIST	PT-D200SA		DEL
6	LN6297001	1	REGISTER INSERTION US CH		FOR USA	DEL
7	LW7758001	1	WEEE & BATTERY INSERTION EU		FOR DEU/GBR/FRA/DNK/TUR/NLD/ CHE/ESP/HUN/RUS	del
(8)	LW8688001	1	CE INSERTION		FOR BRA/ARG	del
(9)	LAA727001	1	WEEE/ROHS INSERTION INDIA	PT-D200	FOR IND	DEL
(10)	LAF448001	1	TURKISH DOC INFO INSERTION	PT-D200	FOR TUR	DEL
(11)	LAB972001	1	ADAPTER INSERTION ARGENTINA	PT-D200	FOR ARG	DEL
(12)	LAD399001	1	STOP SHEET CAN		FOR CAN	DEL
(13)	LAB730001	1	APPLICATION BOOKLET US	PT-D200DA		DEL
(13)	LAB730001	1	APPLICATION BOOKLET US	PT-D200MA		DEL
(13)	LAB730001	1	APPLICATION BOOKLET US	PT-D200SA		DEL

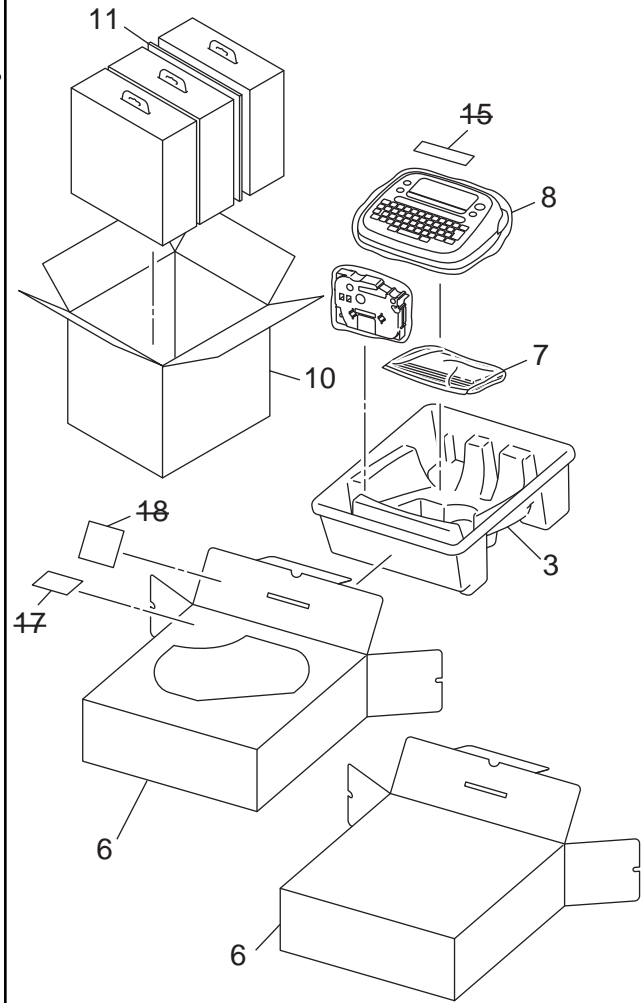
PT-D200* D200VP* are Black and White model

10.PACKING

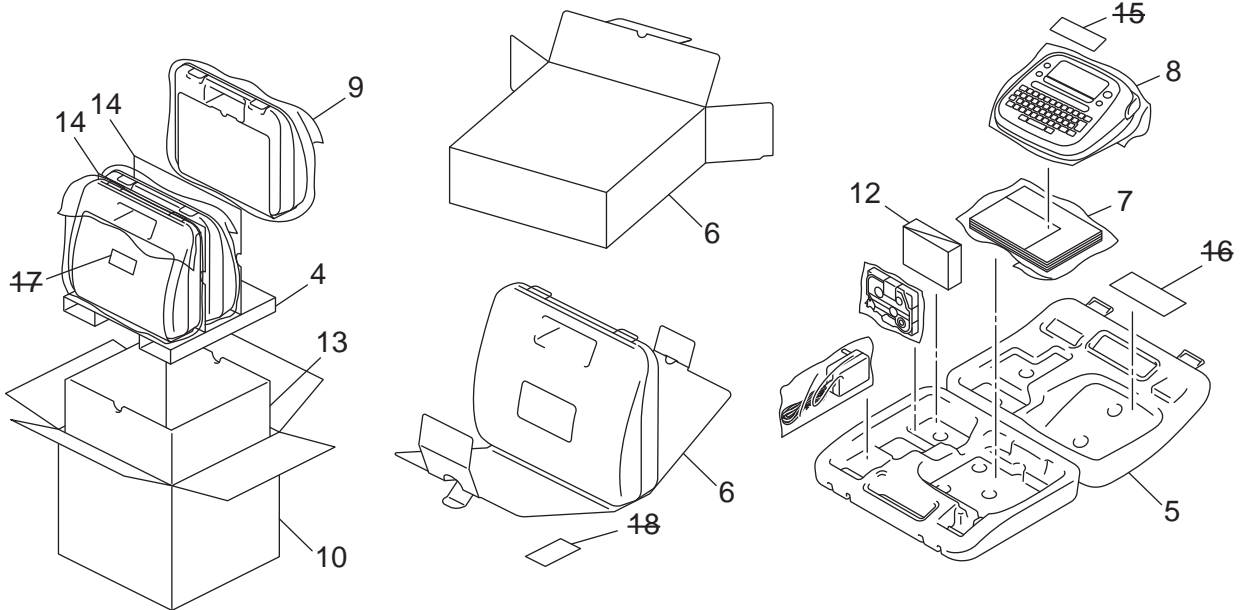
PT-D200 (USA/CAN/BRA/IND/AUS)
 PT-D200KT/PT-D200SN
 PT-D200DA/PT-D200CB
 PT-D200MA/PT-D200BW
 PT-D200DR/PT-D200SA
 PT-D200BT/PT-D200G
 PT-D200LB/PT-D200RK



PT-D200 (OTHER)/PT-E200



PT-D200VP/PT-E200VP/PT-E200/PT-D200WNVP/PT-D200BWVP



10.PACKING

REF No.	CODE	Q'TY	DESCRIPTION	MODEL	SPEC	REMARKS
1	LAA150001	1	BLISTER UPPER D200	PT-D200	FOR USA/CAN/BRA/IND/AUS	
1	LAA150001	1	BLISTER UPPER D200	PT-D200BT		
1	LAA150001	1	BLISTER UPPER D200	PT-D200BW		
1	LAA150001	1	BLISTER UPPER D200	PT-D200CB		
1	LAA150001	1	BLISTER UPPER D200	PT-D200DA		
1	LAA150001	1	BLISTER UPPER D200	PT-D200DR		
1	D00LLY001	1	BLISTER UPPER D200G	PT-D200G		
1	LAA150001	1	BLISTER UPPER D200	PT-D200KT		
1	LAA150001	1	BLISTER UPPER D200	PT-D200LB		
1	LAA150001	1	BLISTER UPPER D200	PT-D200MA		
1	LAA150001	1	BLISTER UPPER D200	PT-D200RK		
1	LAA150001	1	BLISTER UPPER D200	PT-D200SA		
1	LAA150001	1	BLISTER UPPER D200	PT-D200SN	FOR TWN/HKG	
2	LAA151001	1	COLOR SHEET D200	PT-D200	FOR USA/CAN/BRA	
2	LAA721001	1	COLOR SHEET D200 CAN	PT-D200	FOR CAN	del
2	LAF379001	1	COLOR SHEET D200 AP	PT-D200	FOR IND/AUS	chg
2	LAA151001	1	COLOR SHEET D200	PT-D200BT		
2	LAF125001	1	COLOR SHEET D200BW CAN	PT-D200BW		
2	LAF379001	1	COLOR SHEET D200 AP	PT-D200CB		chg
2	LAD159001	1	COLOR SHEET D200SA	PT-D200DA		
2	LAD159001	1	COLOR SHEET D200SA	PT-D200DR		
2	D00JV4001	1	COLOR SHEET D200G	PT-D200G		
2	LAE963001	1	COLOR SHEET D200 HK KITTY	PT-D200KT		
2	LAJ710001	1	COLOR SHEET D200 HK/TW LINE	PT-D200LB		
2	LAD159001	1	COLOR SHEET D200SA	PT-D200MA		
2	LAJ842001	1	COLOR SHEET D200 RK 2016	PT-D200RK	FOR SGP/THA/PHL	
2	LAG689001	1	COLOR SHEET D200 HK/TW RK	PT-D200RK	FOR HKG/TWN	
2	LAD159001	1	COLOR SHEET D200SA	PT-D200SA		
2	LAF877001	1	COLOR SHEET D200 HK/TW SNOOPY	PT-D200SN	FOR TWN/HKG	
3	LAA153000	1	PAD LOWER D200 US	PT-D200	FOR USA/CAN/BRA/IND/AUS	
3	LAA159000	1	PAD LOWER D200 EU	PT-D200	FOR DEU/GBR/FRA/TUR/NLD/CHE/ DNK/HKG/ARG/ESP/THA/TWN/ARE/ KOR/CHN/HUN/RUS	
3	LAA159000	1	PAD LOWER D200 EU	PT-D200*		
3	LAA153000	1	PAD LOWER D200 US	PT-D200BT		
3	LAA153000	1	PAD LOWER D200 US	PT-D200BW		
3	LAA153000	1	PAD LOWER D200 US	PT-D200CB		
3	LAA153000	1	PAD LOWER D200 US	PT-D200DA		
3	LAA153000	1	PAD LOWER D200 US	PT-D200DR		
3	LAA153000	1	PAD LOWER D200 US	PT-D200G		
3	LAA153000	1	PAD LOWER D200 US	PT-D200KT		
3	LAA153000	1	PAD LOWER D200 US	PT-D200LB		
3	LAA153000	1	PAD LOWER D200 US	PT-D200MA		
3	LAA153000	1	PAD LOWER D200 US	PT-D200RK		
3	LAA153000	1	PAD LOWER D200 US	PT-D200SA		
3	LAA153000	1	PAD LOWER D200 US	PT-D200SN	FOR TWN/HKG	
3	LAA159000	1	PAD LOWER D200 EU	PT-D200SN	FOR CHN	
4	LAA586000	1	PAD LOWER PT-D200VP	PT-D200BWVP		
4	LAA586000	1	PAD LOWER PT-D200VP	PT-D200VP		
4	LAA586000	1	PAD LOWER PT-D200VP	PT-D200VP*		
4	LAA586000	1	PAD LOWER PT-D200VP	PT-D200WNV		
4	LAA586000	1	PAD LOWER PT-D200VP	PT-E200VP		
5	LAA455001	1	CARRYING CASE D200	PT-D200BWVP		
5	LAA455001	1	CARRYING CASE D200	PT-D200VP		
5	LAA455001	1	CARRYING CASE D200	PT-D200VP*		
5	LAA455001	1	CARRYING CASE D200	PT-D200WNV		
5	LAA455001	1	CARRYING CASE D200	PT-E200		
5	LAA455001	1	CARRYING CASE D200	PT-E200VP		
6	LAC332001	1	CARTON D200 BRA	PT-D200	FOR BRA	add
6	LAE727001	1	CARTON D200 CHN	PT-D200	FOR CHN	chg
6	LAC217001	1	CARTON D200 TW	PT-D200	FOR TWN	
6	LAC216001	1	CARTON D200 HK	PT-D200	FOR HKG	
6	LAD253001	1	CARTON D200 EU	PT-D200	FOR DEU/GBR/FRA/NLD/CHE/DNK/ ESP/HUN	chg
6	LAB047001	1	CARTON D200 EU	PT-D200	FOR ARG	
6	LAE348001	1	CARTON D200 RUS	PT-D200	FOR RUS	
6	LAE798001	1	CARTON D200 CAN	PT-D200	FOR CAN	chg
6	LAA930001	1	CARTON D200 TUR	PT-D200	FOR TUR	

10.PACKING

REF No.	CODE	Q'TY	DESCRIPTION	MODEL	SPEC	REMARKS
6	LAF378001	1	CARTON D200 AP	PT-D200	FOR IND/AUS	chg
6	LAB306001	1	CARTON D200 THA	PT-D200	FOR THA	
6	LAD484001	1	CARTON D200 ARE	PT-D200	FOR ARE	
6	LAB473001	1	CARTON D200 KOR	PT-D200	FOR KOR	
6	LAB797001	1	CARTON D200 US	PT-D200	FOR USA	chg
6	LAF353001	1	CARTON D200 EU	PT-D200*		
6	LAB062001	1	CARTON D200BT US	PT-D200BT		
6	LAF124001	1	CARTON D200BW CAN	PT-D200BW		
6	LAD293001	1	CARTON PT-D200BW EU	PT-D200BWVP		
6	LAF953001	1	CARTON D200CB EU	PT-D200CB		
6	LAD175001	1	CARTON D200DA US	PT-D200DA		
6	LAD280001	1	CARTON D200DR CAN	PT-D200DR		
6	D00JV3001	1	CARTON D200G US	PT-D200G		
6	LAE946001	1	CARTON D200 HKG KITTY	PT-D200KT	FOR HKG	
6	LAG433001	1	CARTON D200 SGP KITTY	PT-D200KT	FOR SGP/ZAF/PHL/MYS	
6	LAG434001	1	CARTON D200 THA KITTY	PT-D200KT	FOR THA	
6	LAF865001	1	CARTON D200 KOR KITTY	PT-D200KT	FOR KOR	
6	LAH724001	1	CARTON D200 CHN KITTY	PT-D200KT	FOR CHN	
6	D00HH6001	1	CARTON D200 TWN LINE	PT-D200LB	FOR TWN	
6	LAJ709001	1	CARTON D200 HKG LINE	PT-D200LB	FOR HKG	
6	D00HH5001	1	CARTON D200 KOR LINE	PT-D200LB	FOR KOR	
6	LAD150001	1	CARTON D200MA US	PT-D200MA		
6	LAG688001	1	CARTON D200 TWN RILAKKUMA	PT-D200RK	FOR TWN	
6	LAJ840001	1	CARTON D200 SGP RILAKKUMA	PT-D200RK	FOR SGP/PHL	
6	LAG687001	1	CARTON D200 HKG RILAKKUMA	PT-D200RK	FOR HKG	
6	LAJ841001	1	CARTON D200 THA RILAKKUMA	PT-D200RK	FOR THA	
6	LAD158001	1	CARTON D200SA US	PT-D200SA		
6	LAH260001	1	CARTON D200 TWN SNOOPY	PT-D200SN	FOR TWN	chg
6	LAF876001	1	CARTON D200 HKG SNOOPY	PT-D200SN	FOR HKG	
6	LAJ777001	1	CARTON D200 CHN SNOOPY	PT-D200SN	FOR CHN	
6	LAB048001	1	CARTON PT-D200VP EU	PT-D200VP	FOR GBR/DNK/CHE/NLD/FRA/DEU/ ESP/HUN	chg
6	LAF265001	1	CARTON D200VP SGP	PT-D200VP	FOR SGP	
6	LAE349001	1	CARTON PT-D200VP RUS	PT-D200VP	FOR RUS	
6	LAD293001	1	CARTON PT-D200BW EU	PT-D200VP*		
6	LAD497001	1	CARTON PT-D200WN	PT-D200WNVP		
6	LAE728001	1	CARTON E200 CHN	PT-E200		chg
6	LAC099001	1	CARTON E200 THA	PT-E200VP	FOR THA	
6	LAD429001	1	CARTON E200 TW	PT-E200VP	FOR TWN	
6	LAD485001	1	CARTON E200 ARE	PT-E200VP	FOR ARE	
7	LW5701001	1	PE BAG 134X170	PT-D200		
7	LW5701001	1	PE BAG 134X170	PT-D200*		
7	LW5701001	1	PE BAG 134X170	PT-D200BT		
7	LW5701001	1	PE BAG 134X170	PT-D200BW		
7	LA7456001	1	PE BAG 130X250	PT-D200BWVP		
7	LW5701001	1	PE BAG 134X170	PT-D200CB		
7	LW5701001	1	PE BAG 134X170	PT-D200DA		
7	LW5701001	1	PE BAG 134X170	PT-D200DR		
7	LW5701001	1	PE BAG 134X170	PT-D200G		
7	LW5701001	1	PE BAG 134X170	PT-D200KT		
7	LW5701001	1	PE BAG 134X170	PT-D200LB		
7	LW5701001	1	PE BAG 134X170	PT-D200MA		
7	LW5701001	1	PE BAG 134X170	PT-D200RK		
7	LW5701001	1	PE BAG 134X170	PT-D200SA		
7	LW5701001	1	PE BAG 134X170	PT-D200SN		
7	LA7456001	1	PE BAG 130X250	PT-D200VP		
7	LA7456001	1	PE BAG 130X250	PT-D200VP*		
7	LA7456001	1	PE BAG 130X250	PT-D200WNVP		
7	LW5701001	1	PE BAG 134X170	PT-E200		
7	LW5701001	1	PE BAG 134X170	PT-E200VP		
8	LA6496001	1	BAG 230X280	PT-D200	FOR DEU/GBR/FRA/TUR/NLD/CHE/ DNK/HKG/ARG/ESP/THA/TWN/ARE/ KOR/CHN/HUN/RUS	
8	LA6496001	1	BAG 230X280	PT-D200*		
8	LA6496001	1	BAG 230X280	PT-D200BWVP		
8	LA6496001	1	BAG 230X280	PT-D200SN	FOR CHN	
8	LA6496001	1	BAG 230X280	PT-D200VP		
8	LA6496001	1	BAG 230X280	PT-D200VP*		
8	LA6496001	1	BAG 230X280	PT-D200WNVP		

10.PACKING

REF No.	CODE	Q'TY	DESCRIPTION	MODEL	SPEC	REMARKS
8	LA6496001	1	BAG 230X280	PT-E200		
8	LA6496001	1	BAG 230X280	PT-E200VP		
9	LN7473001	1	PE BAG 1280VP	PT-D200BWVP		
9	LN7473001	1	PE BAG 1280VP	PT-D200VP		
9	LN7473001	1	PE BAG 1280VP	PT-D200VP*		
9	LN7473001	1	PE BAG 1280VP	PT-D200WNVP		
9	LN7473001	1	PE BAG 1280VP	PT-E200VP		
10	LAA155001	1	CARTON (X3) D200 US	PT-D200	FOR BRA/IND/AUS	
10	LAA162001	1	CARTON (X3) D200 EU	PT-D200	FOR DEU/GBR/FRA/TUR/NLD/CHE/ DNK/ESP/HUN	
10	LAF365001	1	CARTON (X3) D200 CHN	PT-D200	FOR CHN	chg
10	LAE350001	1	CARTON (X3) D200 EU	PT-D200	FOR RUS	
10	LAB823001	1	CARTON (X3) D200 AP	PT-D200	FOR HKG/ARG/THA/ARE/KOR	
10	LAH591001	1	CARTON (X3) D200 US	PT-D200	FOR USA/CAN	chg
10	LAC464001	1	CARTON (X3) D200 TWN	PT-D200	FOR TWN	
10	LAA162001	1	CARTON (X3) D200 EU	PT-D200*		
10	LAB063001	1	CARTON (X3) D200BT US	PT-D200BT		
10	LAH591001	1	CARTON (X3) D200 US	PT-D200BW		chg
10	LAA584001	1	CARTON (X3) PTD200VP EU	PT-D200BWVP		
10	LAF954001	1	CARTON (X3) D200CB EU	PT-D200CB		
10	LAH591001	1	CARTON (X3) D200 US	PT-D200DA		chg
10	LAH591001	1	CARTON (X3) D200 US	PT-D200DR		chg
10	LAA155001	1	CARTON (X3) D200 US	PT-D200KT	FOR HKG/SGP/THA/ZAF/KOR/PHL/ MYS	
10	LAH726001	1	CARTON (X3) D200 KITTY CHN	PT-D200KT	FOR CHN	
10	LAA155001	1	CARTON (X3) D200 US	PT-D200LB		
10	LAH591001	1	CARTON (X3) D200 US	PT-D200MA		chg
10	LAA155001	1	CARTON (X3) D200 US	PT-D200RK		
10	LAH591001	1	CARTON (X3) D200 US	PT-D200SA		chg
10	LAA155001	1	CARTON (X3) D200 US	PT-D200SN	FOR TWN/HKG	
10	LAF365001	1	CARTON (X3) D200 CHN	PT-D200SN	FOR CHN	
10	LAA584001	1	CARTON (X3) PTD200VP EU	PT-D200VP	FOR GBR/DNK/CHE/NLD/FRA/DEU/ ESP/HUN	
10	LAD408001	1	CARTON (X3) E200VP AP	PT-D200VP	FOR SGP	
10	LAF012001	1	CARTON (X3) PTD200VP EU	PT-D200VP	FOR RUS	
10	LAA584001	1	CARTON (X3) PTD200VP EU	PT-D200VP*		
10	LAA584001	1	CARTON (X3) PTD200VP EU	PT-D200WNVP		
10	LAF366001	1	CARTON (X3) E200 CHN	PT-E200		chg
10	LAD408001	1	CARTON (X3) E200VP AP	PT-E200VP		
11	LAA620000	1	PAD 222X246	PT-D200	FOR USA/CAN/BRA/IND/AUS	
11	LAA620000	1	PAD 222X246	PT-D200BT		
11	LAA620000	1	PAD 222X246	PT-D200BW		
11	LAA620000	1	PAD 222X246	PT-D200CB		
11	LAA620000	1	PAD 222X246	PT-D200DA		
11	LAA620000	1	PAD 222X246	PT-D200DR		
11	LAA620000	1	PAD 222X246	PT-D200KT		
11	LAA620000	1	PAD 222X246	PT-D200LB		
11	LAA620000	1	PAD 222X246	PT-D200MA		
11	LAA620000	1	PAD 222X246	PT-D200RK		
11	LAA620000	1	PAD 222X246	PT-D200SA		
11	LAA620000	1	PAD 222X246	PT-D200SN	FOR TWN/HKG	
12	LA3933000	1	CASSETTE PAD 2	PT-D200BWVP		
12	LA3933000	1	CASSETTE PAD 2	PT-D200VP		
12	LA3933000	1	CASSETTE PAD 2	PT-D200VP*		
12	LA3933000	1	CASSETTE PAD 2	PT-D200WNVP		
12	LA3933000	1	CASSETTE PAD 2	PT-E200		
12	LA3933000	1	CASSETTE PAD 2	PT-E200VP		
13	LAA585000	1	PAD SURROUND PT-D200VP	PT-D200BWVP		
13	LAA585000	1	PAD SURROUND PT-D200VP	PT-D200VP		
13	LAA585000	1	PAD SURROUND PT-D200VP	PT-D200VP*		
13	LAA585000	1	PAD SURROUND PT-D200VP	PT-D200WNVP		
13	LAA585000	1	PAD SURROUND PT-D200VP	PT-E200VP		
14	LW7994001	2	PAD PT-1290 SIDE	PT-D200BWVP		
14	LW7994001	2	PAD PT-1290 SIDE	PT-D200VP		
14	LW7994001	2	PAD PT-1290 SIDE	PT-D200VP*		
14	LW7994001	2	PAD PT-1290 SIDE	PT-D200WNVP		
14	LW7994001	2	PAD PT-1290 SIDE	PT-E200VP		

10.PACKING

REF No.	CODE	Q'TY	DESCRIPTION	MODEL	SPEC	REMARKS
15	LAA161001	1	LCD MYLAR LABEL D200 EU	PT-D200	FOR DEU/GBR/FRA/TUR/IND/NLD/ CHE/DNK/HKG/AUS/ESP/THA/ARE/ KOR/HUN/RUS	DEL
15	LAA161001	1	LCD MYLAR LABEL D200 EU	PT-D200*		DEL
15	LAA161001	1	LCD MYLAR LABEL D200 EU	PT-D200BWP		DEL
15	LAA161001	1	LCD MYLAR LABEL D200 EU	PT-D200CB		DEL
15	LAA161001	1	LCD MYLAR LABEL D200 EU	PT-D200KT	FOR SGP/THA/KOR/PHL	DEL
15	LAA161001	1	LCD MYLAR LABEL D200 EU	PT-D200RK		DEL
15	LAA161001	1	LCD MYLAR LABEL D200 EU	PT-D200SN	FOR TWN/HKG	DEL
15	LAA161001	1	LCD MYLAR LABEL D200 EU	PT-D200VP	FOR GBR/DNK/CHE/NLD/FRA/DEU/ ESP/HUN/RUS	DEL
15	LAA161001	1	LCD MYLAR LABEL D200 EU	PT-D200VP*		DEL
15	LAA161001	1	LCD MYLAR LABEL D200 EU	PT-D200WNP		DEL
16	LW7966001	1	TZE LINE UP STICKER EU1	PT-D200BWP		DEL
16	LW7966001	1	TZE LINE UP STICKER EU1	PT-D200VP	FOR GBR/DNK/CHE/NLD/FRA/DEU/ ESP/HUN/RUS	DEL
16	LW7966001	1	TZE LINE UP STICKER EU1	PT-D200VP*		DEL
16	LW7966001	1	TZE LINE UP STICKER EU1	PT-D200WNP		DEL
16	LW7966001	1	TZE LINE UP STICKER EU1	PT-E200		DEL
17	LW3751001	1	3YR GUARANTEE MYLAR LABEL GER		FOR DEU	DEL
18	LN6939001	1	AUSTRIA LABEL SMALL		FOR HUN	DEL
(19)	LAA970000	1	PROTECTION FILM D200 US	PT-D200	FOR USA/CAN/BRA/IND/AUS	DEL
(19)	LAA970000	1	PROTECTION FILM D200 US	PT-D200BT		DEL
(19)	LAA970000	1	PROTECTION FILM D200 US	PT-D200BW		DEL
(19)	LAA970000	1	PROTECTION FILM D200 US	PT-D200CB		DEL
(19)	LAD604000	1	PROTECTION FILM D200 PAINT	PT-D200DA		DEL
(19)	LAD224001	1	PROTECTION SHEET D200	PT-D200DA		DEL
(19)	LAA970000	1	PROTECTION FILM D200 US	PT-D200DR		DEL
(19)	LAA970000	1	PROTECTION FILM D200 US	PT-D200KT		DEL
(19)	LAF355000	2	PROTECTION FILM D200KT	PT-D200KT		DEL
(19)	LAA970000	1	PROTECTION FILM D200 US	PT-D200MA		DEL
(19)	LAA970000	1	PROTECTION FILM D200 US	PT-D200RK		DEL
(19)	LAA970000	1	PROTECTION FILM D200 US	PT-D200SA		DEL
(19)	LAA970000	1	PROTECTION FILM D200 US	PT-D200SN	FOR TWN/HKG	DEL
(19)	LAD812000	1	PROTECTION FILM D200WN	PT-D200WNP		DEL
(20)	UN8891001	1	C-TICK MARK	PT-D200	FOR AUS	del
(21)	LAB731001	1	APPLICATION BOOKLET STECKER US	PT-D200DA		DEL
(21)	LAB731001	1	APPLICATION BOOKLET STECKER US	PT-D200MA		DEL
(21)	LAB731001	1	APPLICATION BOOKLET STECKER US	PT-D200SA		DEL
(22)	LAA372001	1	ALKALI LABEL KOR		FOR KOR	DEL
(23)	LAB833000	1	ADAPTER PAD D200	PT-D200	FOR TWN/CHN	add
(23)	LAB833000	1	ADAPTER PAD D200	PT-D200SN	FOR CHN	
(24)	LA5166001	1	BAG 80X120	PT-D200	FOR HKG/THA/KOR	
(25)	LA5898001	1	BAG 90X175	PT-D200KT	FOR HKG/KOR	
(25)	LA5898001	1	BAG 90X175	PT-D200LB	FOR HKG/KOR	
(25)	LA5898001	1	BAG 90X175	PT-D200RK	FOR HKG	
(25)	LA5898001	1	BAG 90X175	PT-D200SN	FOR HKG	
(26)	LAB018000	2	PAD CC-D200	PT-E200		add
(27)	LAD596001	1	JAPANESE EXCELLENCE LABEL ENG	PT-D200	FOR ARE	DEL
(27)	LAD597001	1	JAPANESE EXCELLENCE LABEL ARE	PT-D200	FOR ARE	DEL
(27)	LAD598001	1	JAPANESE EXCELLENCE LABEL TUR	PT-D200	FOR TUR	DEL
(27)	LAD596001	1	JAPANESE EXCELLENCE LABEL ENG	PT-E200VP	FOR ARE	DEL
(28)	LAE877001	1	BIS LABEL IND L	PT-D200	FOR IND	DEL
(29)	LAE964001	1	EAC MARK LABEL		FOR RUS	DEL
(30)	LAE546001	1	RUSSIA CARTON STICKER		FOR RUS	DEL
(31)	LAF863001	1	CONTENT LABEL PT-D200KT HKG	PT-D200KT	FOR HKG	DEL
(32)	LAG574001	2	RECYCLE LABEL KOREA LDPE		FOR KOR	DEL
(33)	LAG571001	1	RECYCLE LABEL KOREA PET	PT-D200KT	FOR KOR	DEL
(34)	LW4122001	1	BLUE LABEL	PT-D200	FOR ARG	DEL
(35)	LAH638001	1	SANRIO GMBH LICENSE LABEL	PT-D200KT	FOR PHL	DEL

PT-D200* D200VP* are Black and White model