



PERSONAL WORD PROCESSOR
PARTS REFERENCE LIST

MODEL: WP-2500Q /WP-2600Q

MECHANISM & ELECTRONICS

NOTES FOR USING THIS PARTS REFERENCE LIST

1. In the case of ordering parts, it needs mentioning the following items:

- (1) Code
- (2) Q'ty
- (3) Description
- (4) Revision No. (for a kind of printed circuit boards)

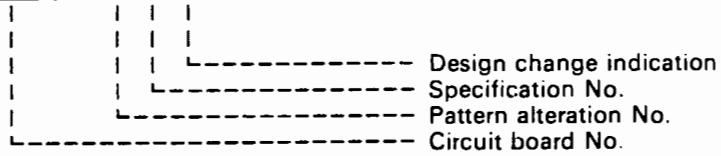
Note: No orders without Parts Code or Tool No. can be accepted.

Example

REF. NO.	CODE	Q'TY	DESCRIPTION	REMARKS

(4) Revision No.: marked on a printed circuit board

B48V032 - 3 01 A



2. On alternative parts (design changed parts);

They have any one of the following symbols. In such a case, please refer to information, "Technical Information (revised edition)", and order.

- #A : exchangeable
- #B : substitutable new one for old
- #D : unexchangeable
- # : newly-established

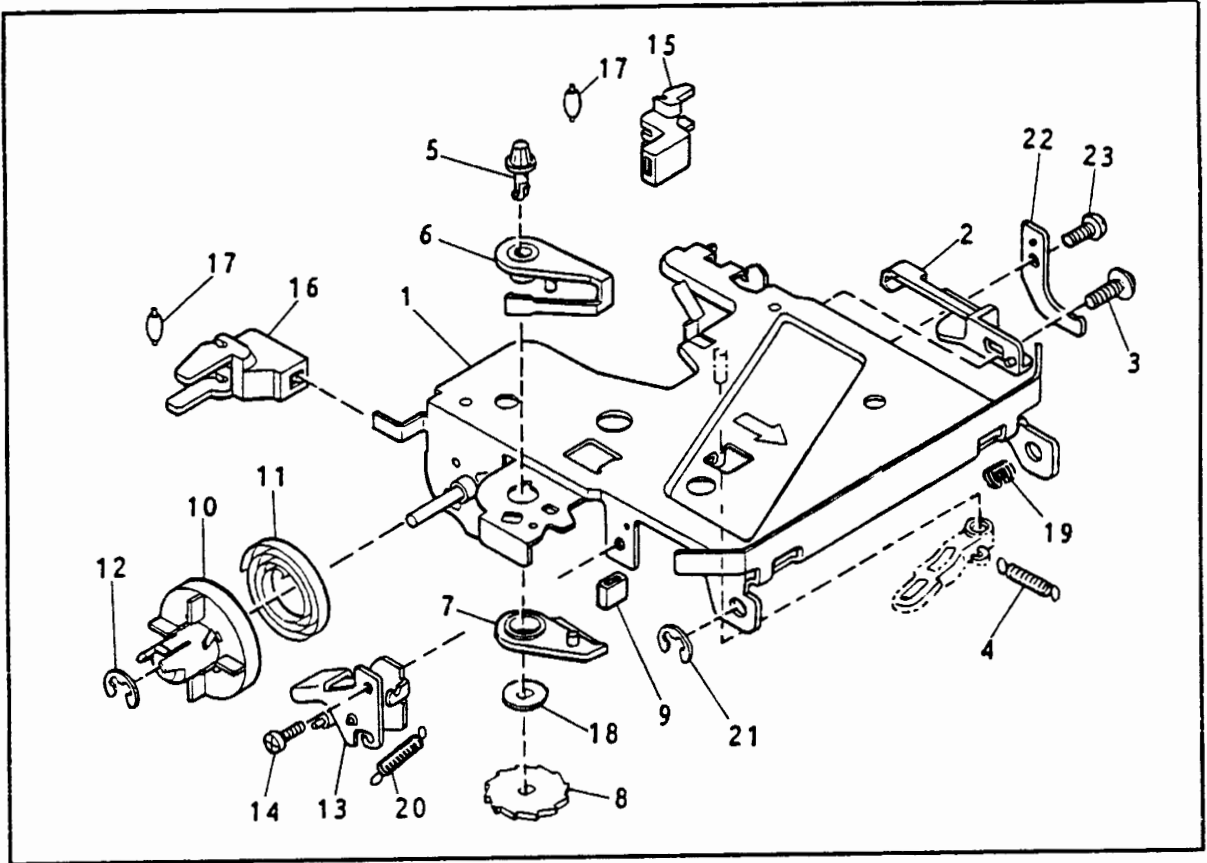
3. The original of this list was made based on the information available in April 1992.

4. Parts are subject to change in design without previous notice.

CONTENTS

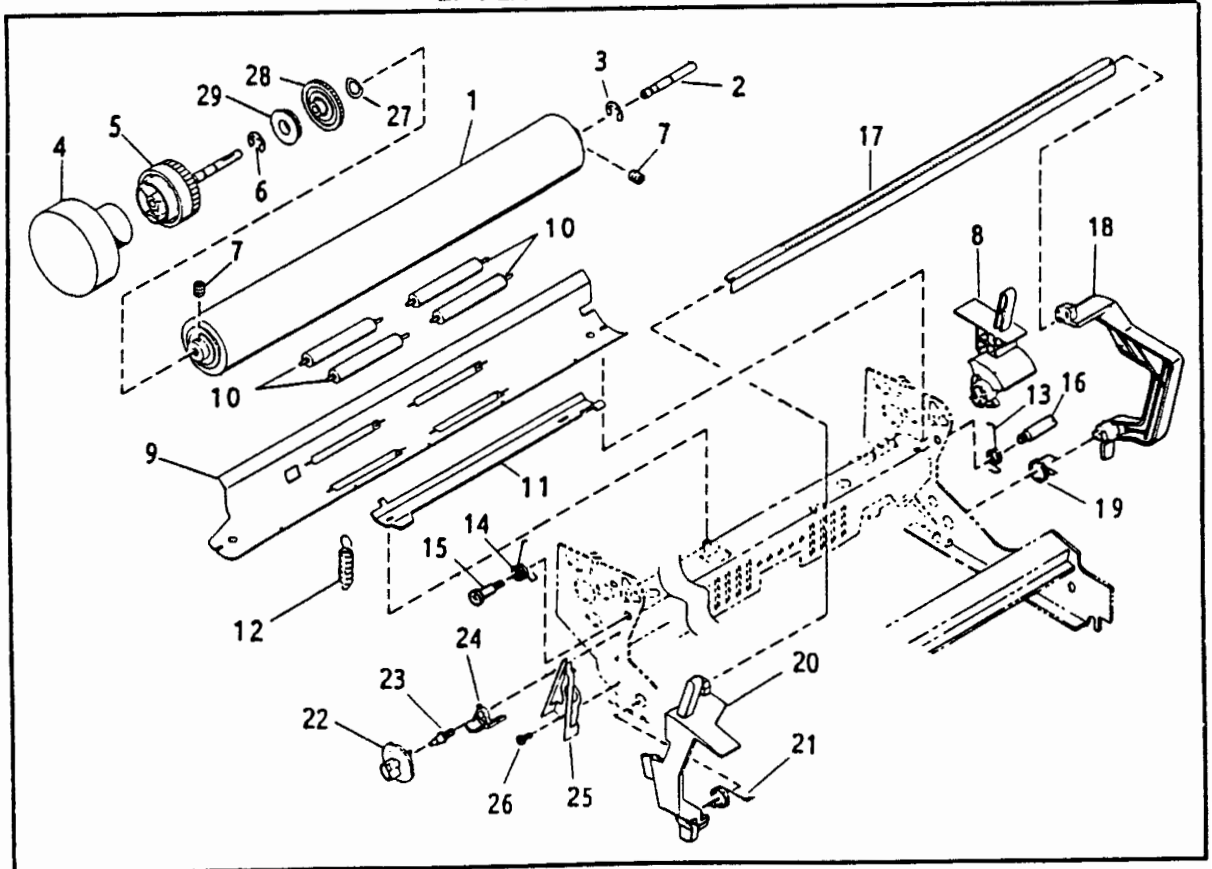
1. RIBBON FEED MECHANISM	1
2. PLATEN MECHANISM	1
3. CHASSIS ATTACHMENT	3
4. TRANSFORMER	3
5. CARRIER MECHANISM	5
6. MOTOR	7
7. DETECTOR	7
8. COVER	9
9. MAIN PCB ASSEMBLY	11
10. POWER SUPPLY PCB ASSEMBLY	15
11. MONITOR	17
12. FILTER PCB ASSEMBLY	21
13. FLOPPY DISK DRIVE ASSEMBLY	21
14. PRINTED MATTER	23
15. PACKING MATERIALS	23
16.1. KEYBOARD MECHANISM/USA.ENGLISH	25
16.2. FUNCTION KEYS/USA.ENGLISH	27
16.3. CHARACTER KEYS/USA.ENGLISH	27
17. ADJUSTING TOOL KIT	29
INDEX	31

1. RIBBON FEED MECHANISM



53V-312-017

2. PLATEN MECHANISM



53V-312-031

1. RIBBON FEED MECHANISM

REF.NO.	CODE	Q'TY	DESCRIPTION	REMARKS
1-18	UA4678001	1	RIBBON VIBRATOR ASSY	
1	UA4679001	1	RIBBON VIBRATOR SUB ASSY RE	
2	UA4683001	1	CO WHEEL HOOK	
3	U82016001	1	SCREW, PAN (WASHER) M2.6X10DB	
4	UA7644001	1	SPRING, EXTENSION	
5	U08509001	1	RIBBON FEED JOINT	
6	UA4685001	1	RIBBON FEED HOOK	
7	UA4686000	1	RIBBON FEED RATCHET	
8	UA4687000	1	RIBBON FEED RATCHET WHEEL	
9	UA4787001	1	RUBBER BAND	
10-11	U02720001	1	CS SPINDLE L SPRING ASSY	
10	542302001	1	CO SPOOL SPINDLE L	
11	U02719001	1	SPRING, SPIRAL	
12	048020346	1	RETAINING RING, E2	
13	UA4688001	1	RV FOLLOWER ASSY	
14	575039001	1	SCREW, PAN (WASHER) M3X5DA	
15	UA7352001	1	CORRECTION GUIDE R	
16	U06775001	1	CORRECTION GUIDE L	
17	U06776001	2	CORRECTION GUIDE ROLLER	
18	UA7462001	1	SPACER 12	
19	UA4693001	1	SPRING, COMPRESSION 0.65X10.5	
20	UA4694001	1	SPRING, EXTENSION	
21	048030346	1	RETAINING RING, E3	
22	UA4692000	1	LIFT STOPPER	
23	062300506	1	SCREW, PAN M3X5	

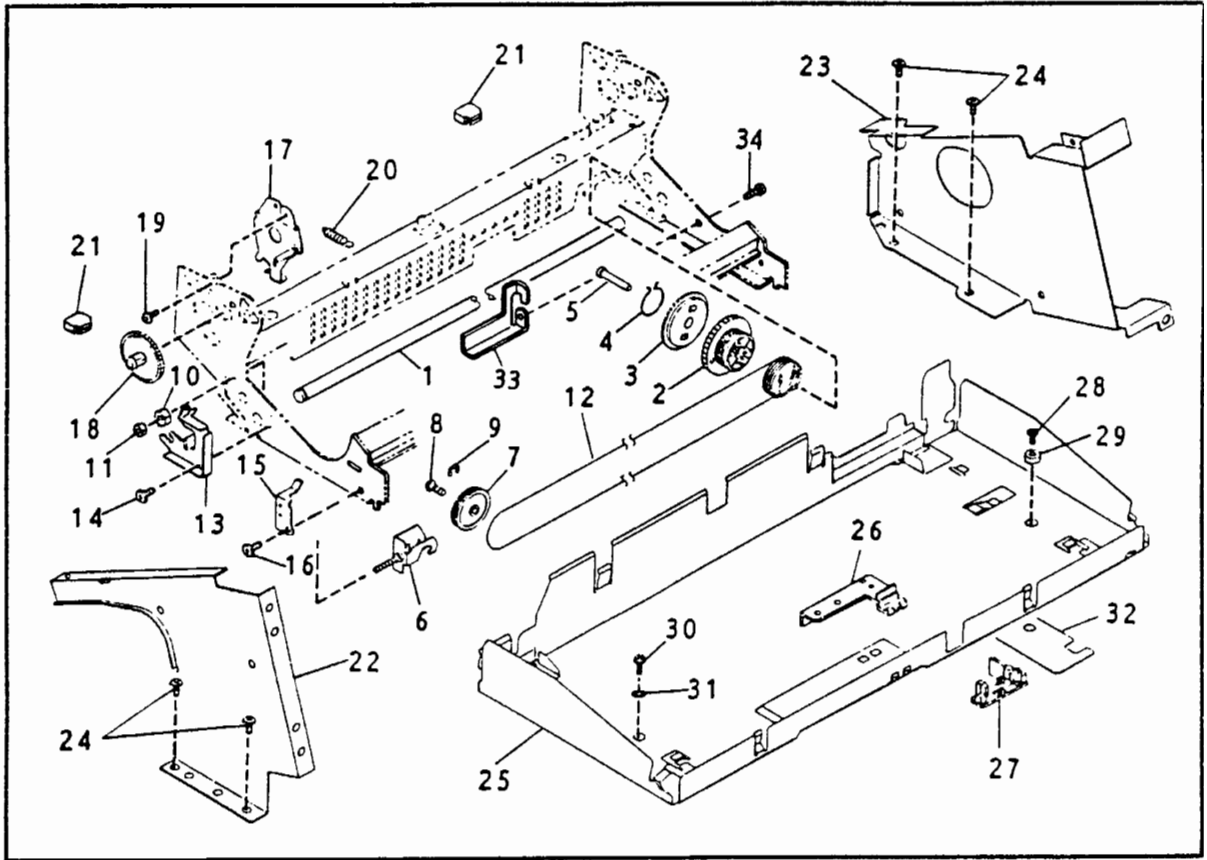
53V-312-017

2. PLATEN MECHANISM

REF.NO.	CODE	Q'TY	DESCRIPTION	REMARKS
1	UA7598001	1	PLATEN 12 ASSY	
2	UA2547001	1	PLATEN SHAFT R 85	
3	048040346	1	RETAINING RING, E4	
4	UA7367021	1	PLATEN KNOB, GRAY1251 WP-2500Q	
4	UA7367022	1	PLATEN KNOB, GRAY1252 WP-2600Q	
5	UA2548001	1	PAPER FEED GEAR ASSY 85	
6	048040346	1	RETAINING RING, E4	
7	525745001	2	SET SCREW, SOCKET (CP) M4X6W	
8	UA7368011	1	PAPER RELEASE LEVER, GRAY738	
9	UA2606001	1	PAPER PAN ASSY	
10	U05656001	4	PAPER HOLD ROLLER	
11	U11231000	1	PAPER PAN HOLD PLATE	
12	U11232001	1	SPRING, EXTENSION	
13	UA4698001	1	PLATEN SPRING R	
14	UA4699001	1	PLATEN SPRING L	
15	UA4785001	1	SHOULDER SCREW	
16	UA4700001	1	SHAFT SCREW	
17	UA2608003	1	PAPER BAIL SCALE 12	
18	UA4767011	1	PAPER BAIL ARM R, GRAY738	
19	UA2610001	1	PAPER BAIL ARM R SPRING	
20	UA4768011	1	PAPER BAIL ARM L, GRAY738	
21	UA2612001	1	PAPER BAIL ARM L SPRING	
22	UA2613000	1	PAPER BAIL RELEASE CAM	
23	UA2614001	1	SHAFT SCREW	
24	UA2615000	1	PAPER BAIL RELEASE LINK	
25	UA2616000	1	PAPER BAIL CAM SPRING	
26	062300506	1	SCREW, PAN M3X5	

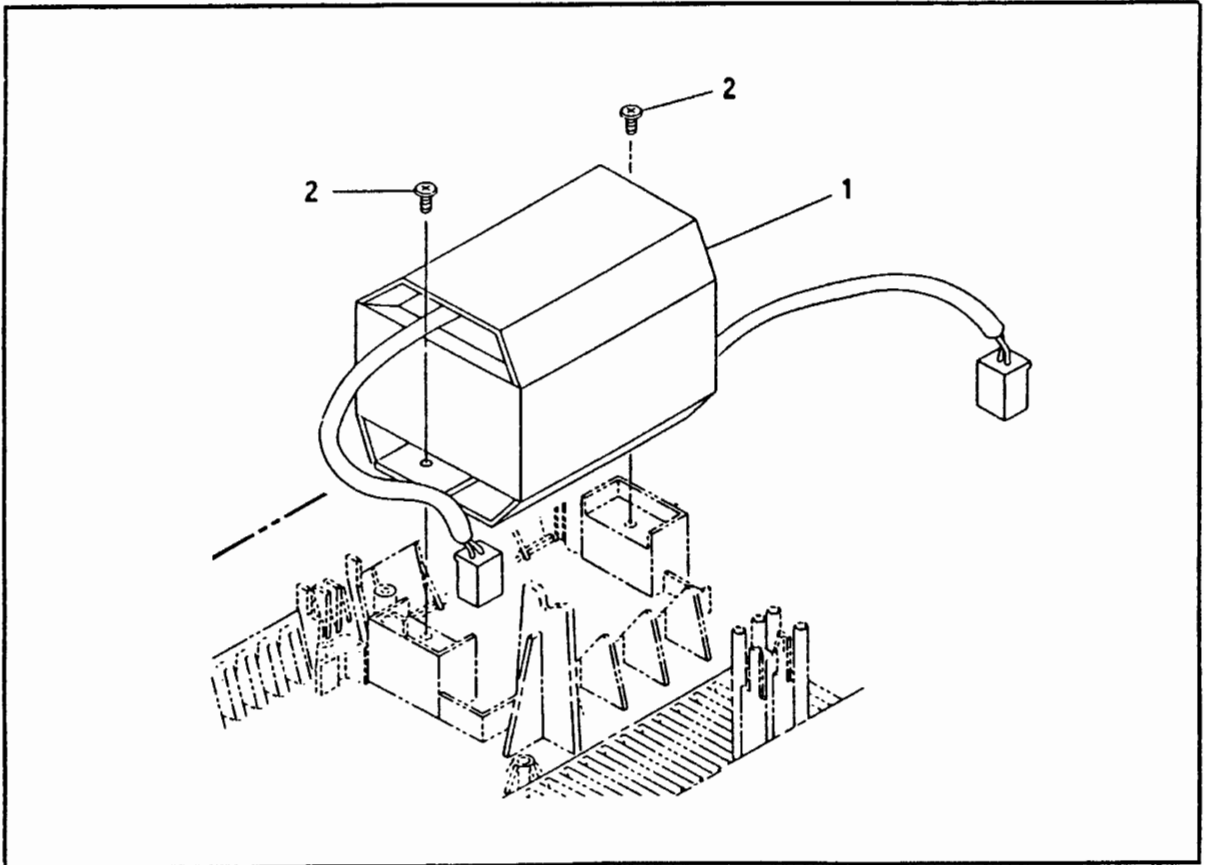
53V-312-031

3. CHASSIS ATTACHMENT



53V-312-034

4. TRANSFORMER



53V-312-050

3. CHASSIS ATTACHMENT

REF.NO.	CODE	Q'TY	DESCRIPTION	REMARKS
1	UA4705001	1	HEAD GUIDE SHAFT	
2-4	UA2619001	1	HEAD DRIVE PULLEY ASSY	
2	UA2620000	1	HEAD DRIVE PULLEY MAIN	
3	UA2621000	1	HEAD DRIVE PULLEY SUB	
4	UA2622000	1	HEAD DRIVE PULLEY SPRING	
5	U08575001	1	SHOULDER STUD	
6	U11244001	1	TENSION PULLEY HOLDER SUB ASSY	
7-9	U11246001	1	HEAD TENSION PULLEY ASSY	
7	U06824001	1	HEAD TENSION PULLEY	
8	U11247001	1	SHAFT	
9	048030346	1	RETAINING RING, E3	
10	U06958001	1	NUT, M3.5	
11	021350106	1	NUT, 1 M3.5	
12	U11248001	1	DRIVE WIRE ASSY	
13	UA4706000	1	PW HOME POSITION ACTUATOR	
14	062300506	1	SCREW, PAN M3X5	
15	U11251000	1	CR HOME POSITION LEVER	
16	062300506	1	SCREW, PAN M3X5	
17	UA2617001	1	P FEED MOTOR HOLDER SUB ASSY	
18	UA2325000	1	PAPER FEED IDLE GEAR	
19	U11256001	1	SHOULDER SCREW	
20	U11500001	1	SPRING, EXTENSION	
21	UA2624001	2	CHASSIS SUPPORT	
22	UA2625000	1	SUB CHASSIS	
23	UA7369000	1	FDD HOLDER	
24	U08740001	4	TAPTITE, BIND B M4X12	
25	UA2628000	1	SHIELD PLATE	
26	UA2629008	1	CABLE CLAMP	
27	UA2630008	1	CODE CLAMP	
28	UA2202001	1	SCREW, CUP M3.5X6	
29	UA2159000	1	COLLAR	
30	519475002	1	SCREW, FLANGE M3.5X6	
31	502673001	1	WASHER, EX TOOTH 4	
32	UA2200001	1	INSULATOR	
33	UA4707000	1	PRINTING UNIT RELEASE STOPPER	
34	062300506	1	SCREW, PAN M3X5	

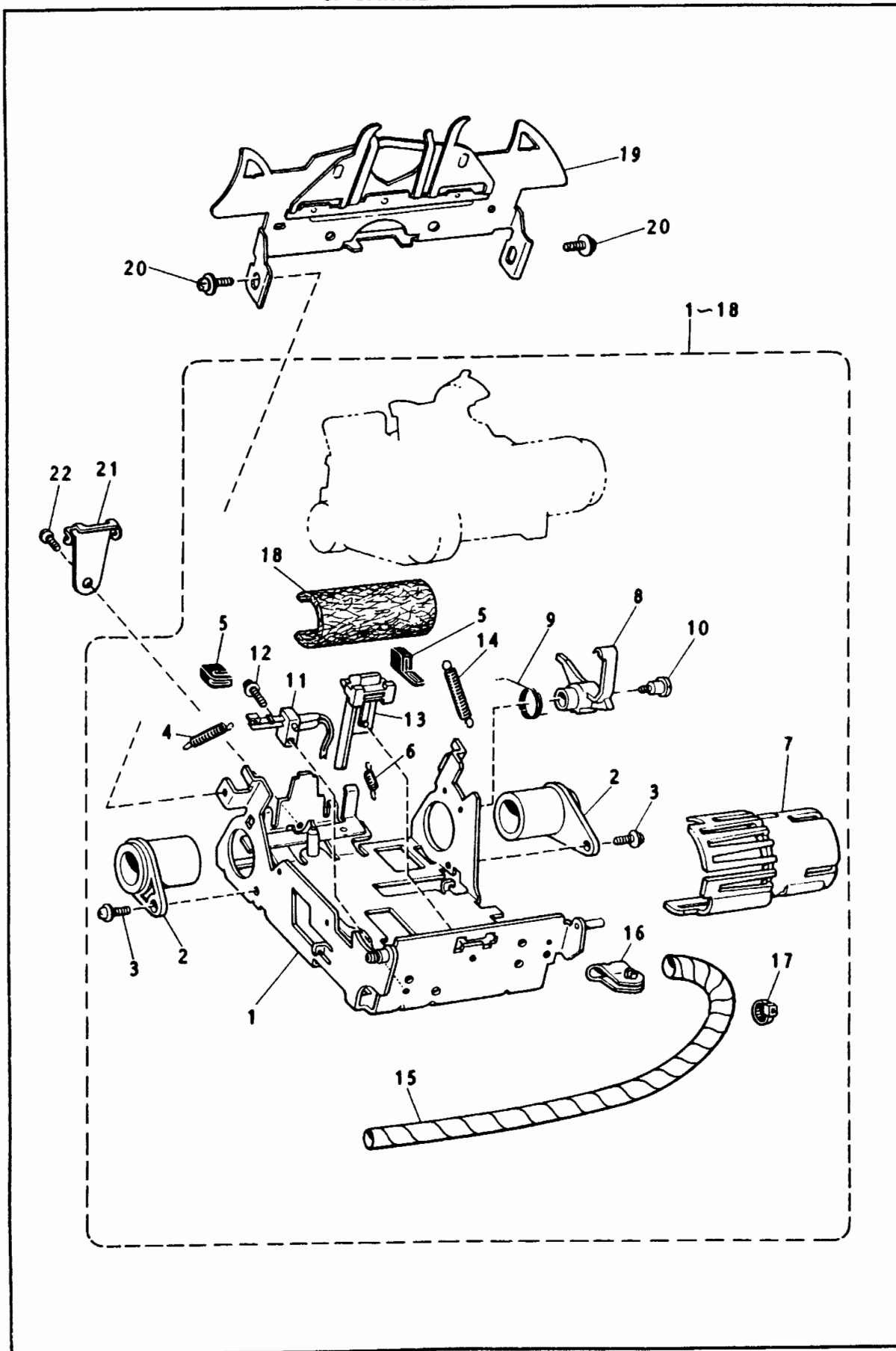
53V-312-034

4. TRANSFORMER

REF.NO.	CODE	Q'TY	DESCRIPTION	REMARKS
1	UA2648001	1	TRANSFORMER ASSY 100V (SP)	
1	UA2649001	1	TRANSFORMER ASSY 110V (SP)	
1	UA2647001	1	TRANSFORMER ASSY 117V (SP)	
1	UA2650001	1	TRANSFORMER ASSY 127V (SP)	
1	UA2651001	1	TRANSFORMER ASSY 200V (SP)	
1	UA2652001	1	TRANSFORMER ASSY 220V (SP)	
1	UA2653001	1	TRANSFORMER ASSY 240V (SP)	
2	U08740001	2	TAPTITE, BIND B M4X12	

53V-312-050

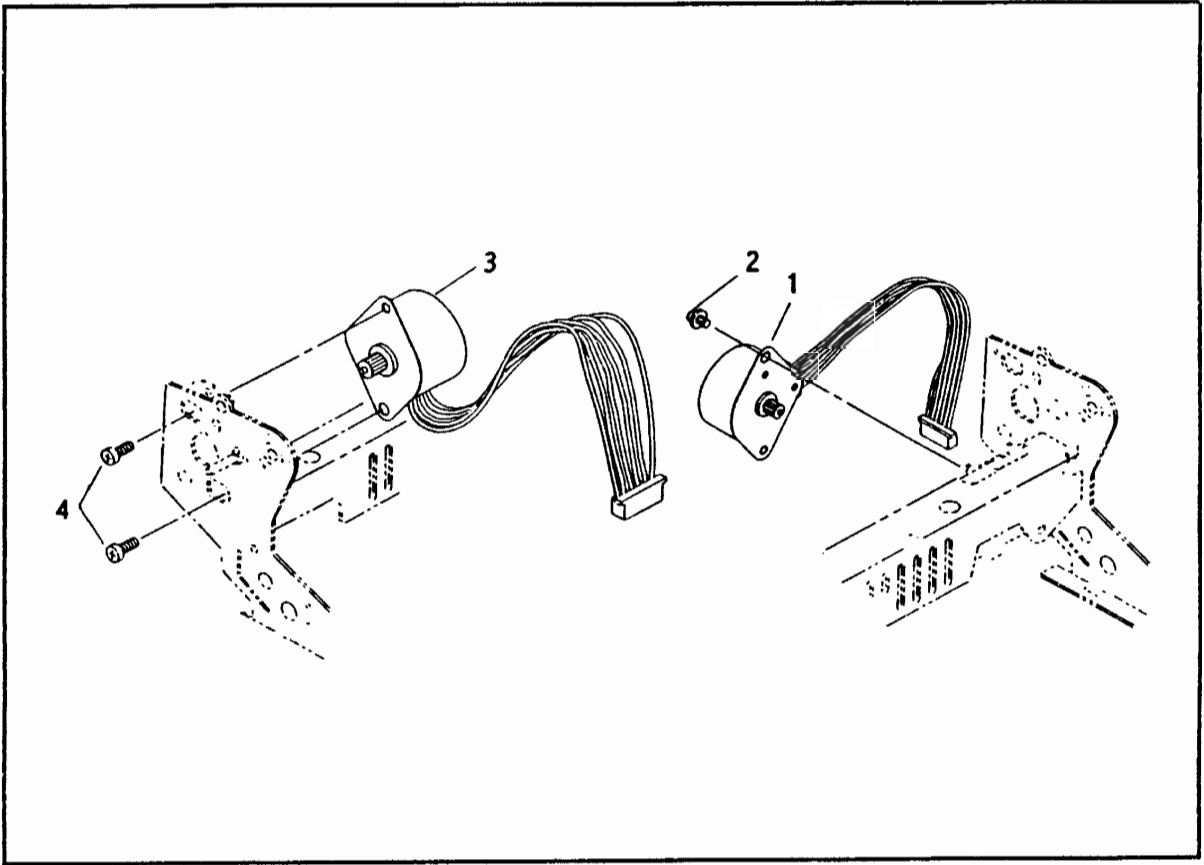
5. CARRIER MECHANISM



5. CARRIER MECHANISM

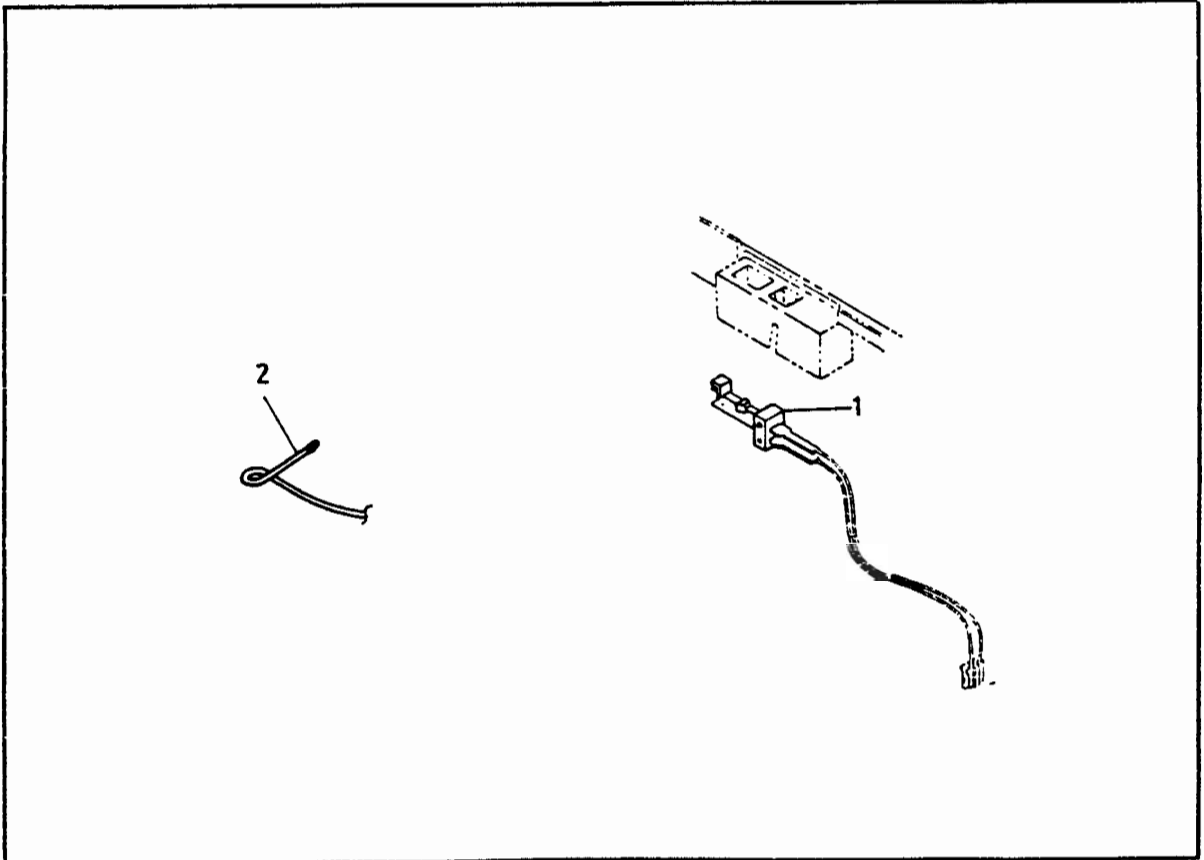
REF.NO	CODE	Q'TY	DESCRIPTION	REMARKS
1-18	UA7634001	1	HEAD HOLDER ASSY	
1	UA4710001	1	HEAD HOLDER SUB ASSY	
2	UA4716000	2	CARRIAGE RAIL BEARING	
3	571672001	2	SCREW, FLANGE M3X5	
4	UA7645001	1	SPRING, EXTENSION	
5	UC1442001	2	CASE HOLDER	
6	UA5348001	1	SPRING, EXTENSION(FOR RELEASE LEVER)	
7	UA4793001	1	MOTOR COVER	
8	UA7376001	1	CORRECTION FEED RATCHET	
9	UA7377001	1	SPRING TORSION	
10	UA7408001	1	SHOULDER SCREW	
11	UA7413001	1	LEAF SWITCH ASSY	
12	U25516001	1	SCREW, CUP M2.6X8	
13	UA4762000	1	HEAD GUIDE	
14	UA4763001	1	SPRING, EXTENSION	
15	UA7382000	1	SPIRAL TUBE	
16	U11314001	1	TUBE HOLDER	
17	U17807000	3	CABLE TIE	
18	UA7728000	1	FELT	
19	UA4764001	1	PAPER GUIDE SUB ASSY	
20	U09759001	2	SCREW, PAN (WASHER) M3X6DB	
21	U11312000	1	DRIVE WIRE CLAMP	
22	062350605	1	SCREW, PAN M3.5X6	

6. MOTOR



53V-312-054

7. DETECTOR



53V-312-100

6. MOTOR

REF.NO.	CODE	Q'TY	DESCRIPTION	REMARKS
1	Z24393001	1	HEAD DRIVE MOTOR	
2	U11776001	2	SCREW, FLANGE M3X3.5	
3	Z24385001	1	PAPER FEED MOTOR	
4	062260406	2	SCREW, PAN M2.6X4	

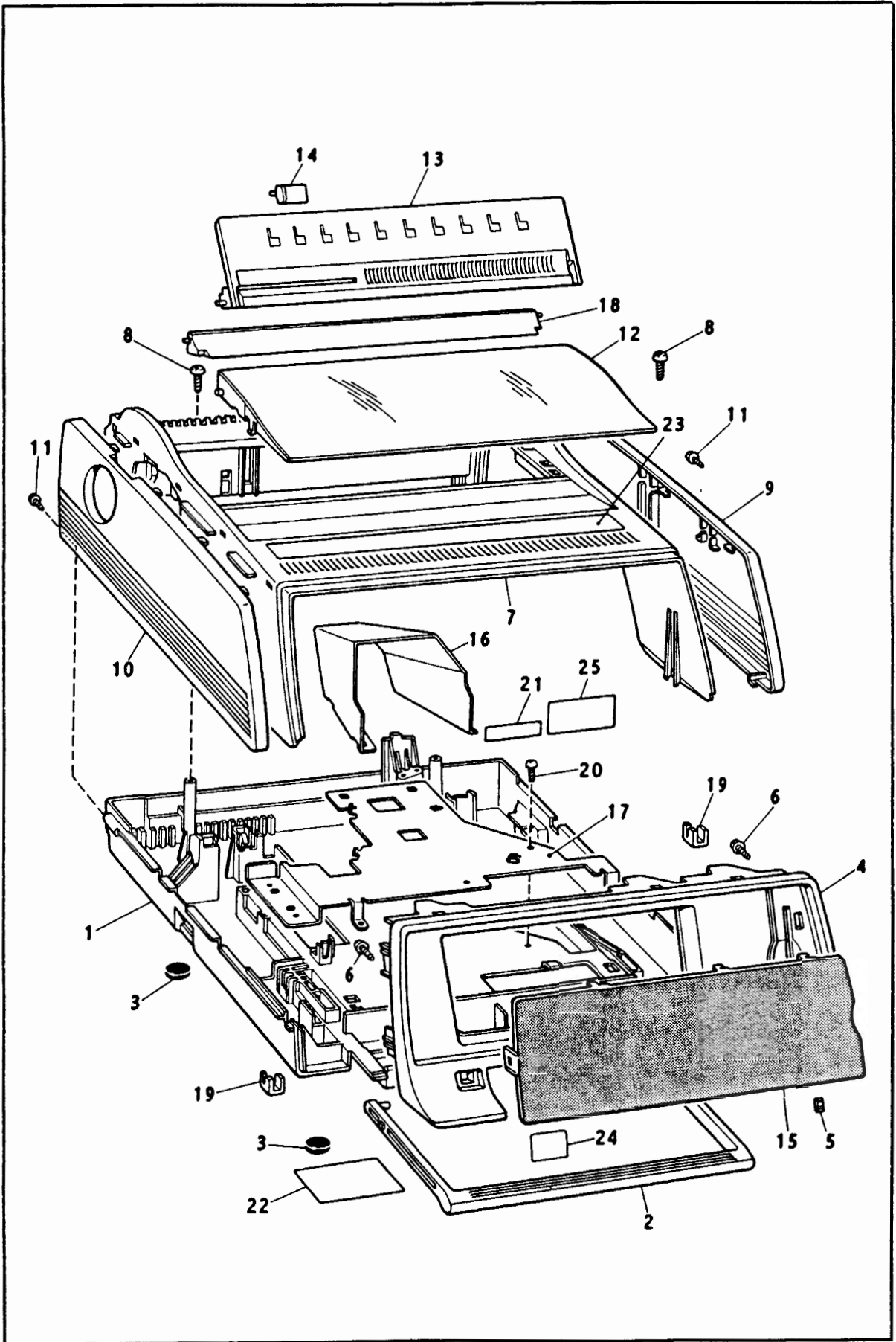
53V-312-054

7. DETECTOR

REF.NO.	CODE	Q'TY	DESCRIPTION	REMARKS
1	UA2161001	1	LEAF SWITCH ASSY	
2	UA6259001	1	TEMPERATURE SENSOR ASSY	

53V-312-100

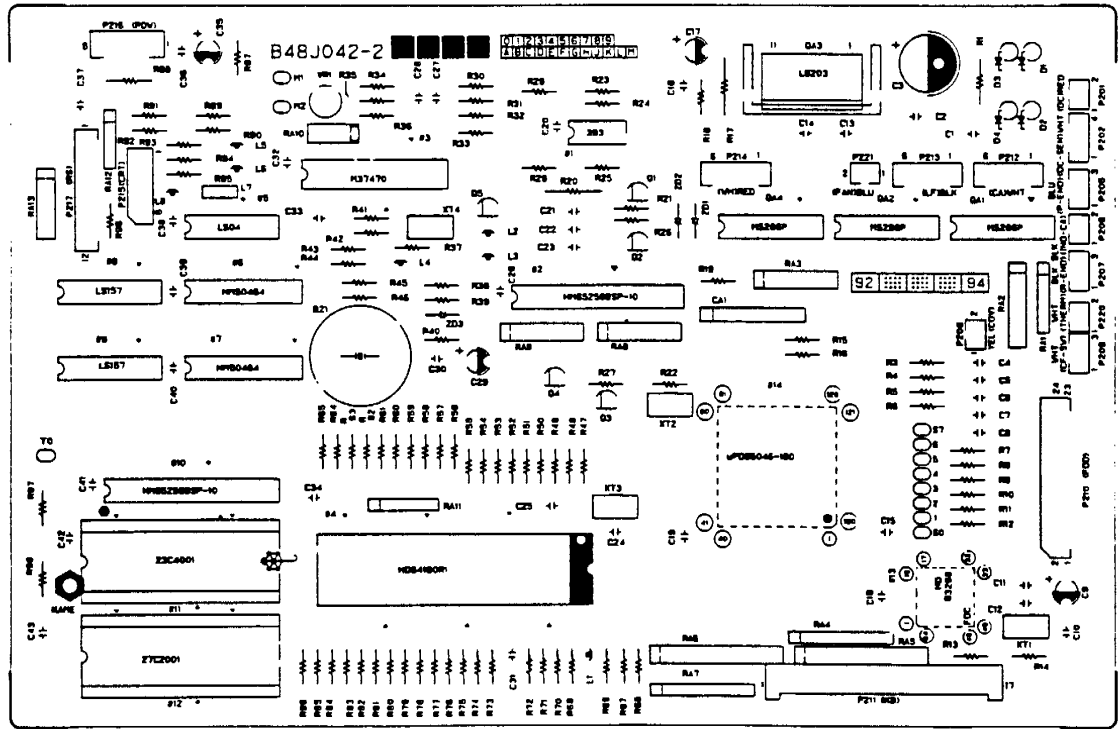
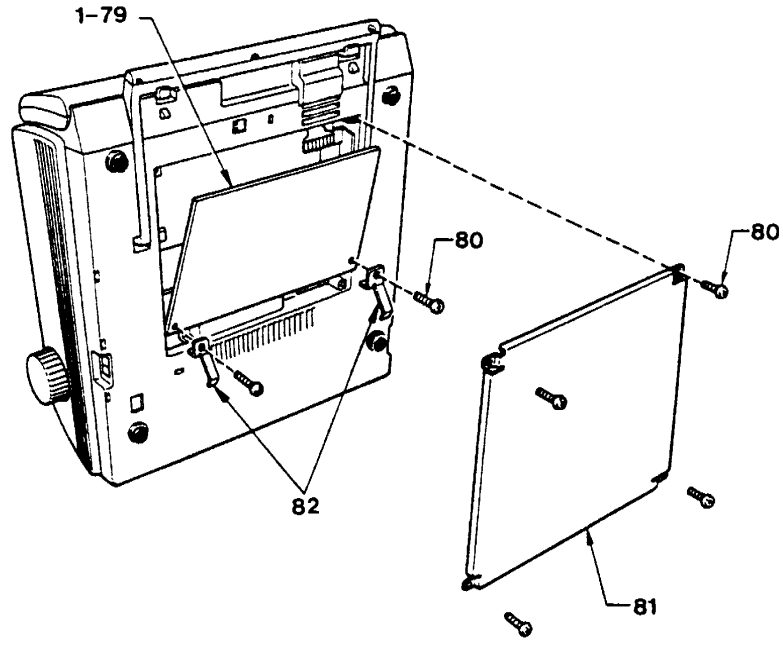
8. COVER



8. COVER

REF.NO	CODE	Q'TY	DESCRIPTION	REMARKS
1-5	UA7600021	1	BOTTOM COVER ASSY H5, GRAY1251 WP-2500Q	
1-5	UA7600022	1	BOTTOM COVER ASSY H5, GRAY1252 WP-2600Q	
1	UA7601021	1	BOTTOM COVER H5, GRAY1251 WP-2500Q	
1	UA7601022	1	BOTTOM COVER H5, GRAY1252 WP-2600Q	
2	UA7393021	1	HANDLE ASSY, GRAY1251 WP-2500Q	
2	UA7393022	1	HANDLE ASSY, GRAY1252 WP-2600Q	
3	U78048001	4	RUBBER FOOT	
4-5	UA7396021	1	FRONT PANEL ASSY H, GRAY1251 WP-2500Q	
4-5	UA7396022	1	FRONT PANEL ASSY H, GRAY1252 WP-2600Q	
4	UA7397021	1	FRONT PANEL H, GRAY1251 WP-2500Q	
4	UA7397022	1	FRONT PANEL H, GRAY1252 WP-2600Q	
5	W01243001	1	LED LENS	
6	U08740001	4	TAPTITE, BIND B M4X12	
7	UA7398021	1	BODY COVER, GRAY1251 WP-2500Q	
7	UA7398022	1	BODY COVER, GRAY1252 WP-2600Q	
8	U78141001	2	TAPTITE, BIND B M4X20	
9	UA7399021	1	SIDE COVER R, GRAY1251 WP-2500Q	
9	UA7399022	1	SIDE COVER R, GRAY1252 WP-2600Q	
10	UA7400021	1	SIDE COVER L, GRAY1251 WP-2500Q	
10	UA7400022	1	SIDE COVER L, GRAY1252 WP-2600Q	
11	UA8010001	2	TAPTITE, FLAT B (WASHER) M3X16	
12	UA7401001	1	TOP COVER, GRAY1186	
13	UA7402021	1	PAPER SUPPORTER, GRAY1251 WP-2500Q	
13	UA7402022	1	PAPER SUPPORTER, GRAY1252 WP-2600Q	
14	UA7403021	1	PAPER GUIDE, GRAY1251 WP-2500Q	
14	UA7403022	1	PAPER GUIDE, GRAY1252 WP-2600Q	
15	UA7445001	1	CRT BLINDER H5 WP-2500Q	
15	UA7404001	1	CRT BLINDER H WP-2600Q	
16	UA2153000	1	CRT YOKE SHIELD PLATE	
17	UA3974000	1	GROUND PLATE	
18	UA2183011	1	PAPER REST, GRAY738	
19	UA2195008	2	TILT PLATE SPACER, GRAY1162	
20	U05404001	1	TAPTITE, BIND B M3X8	
21	UA7632001	1	FCC LABEL USA	
22	UA2903001	1	ATTENTION LABEL	
23	UA7603001	1	FEATURE/DEMO LABEL	
23	UA7416001	1	FEATURE/DEMO LABEL	
24	UA8023001	1	WHISPER LABEL	
25	UA7606001	1	RATING LABEL, WP2500Q UL	
25	UA7419001	1	RATING LABEL, WP2600Q UL	

9. MAIN PCB ASSEMBLY



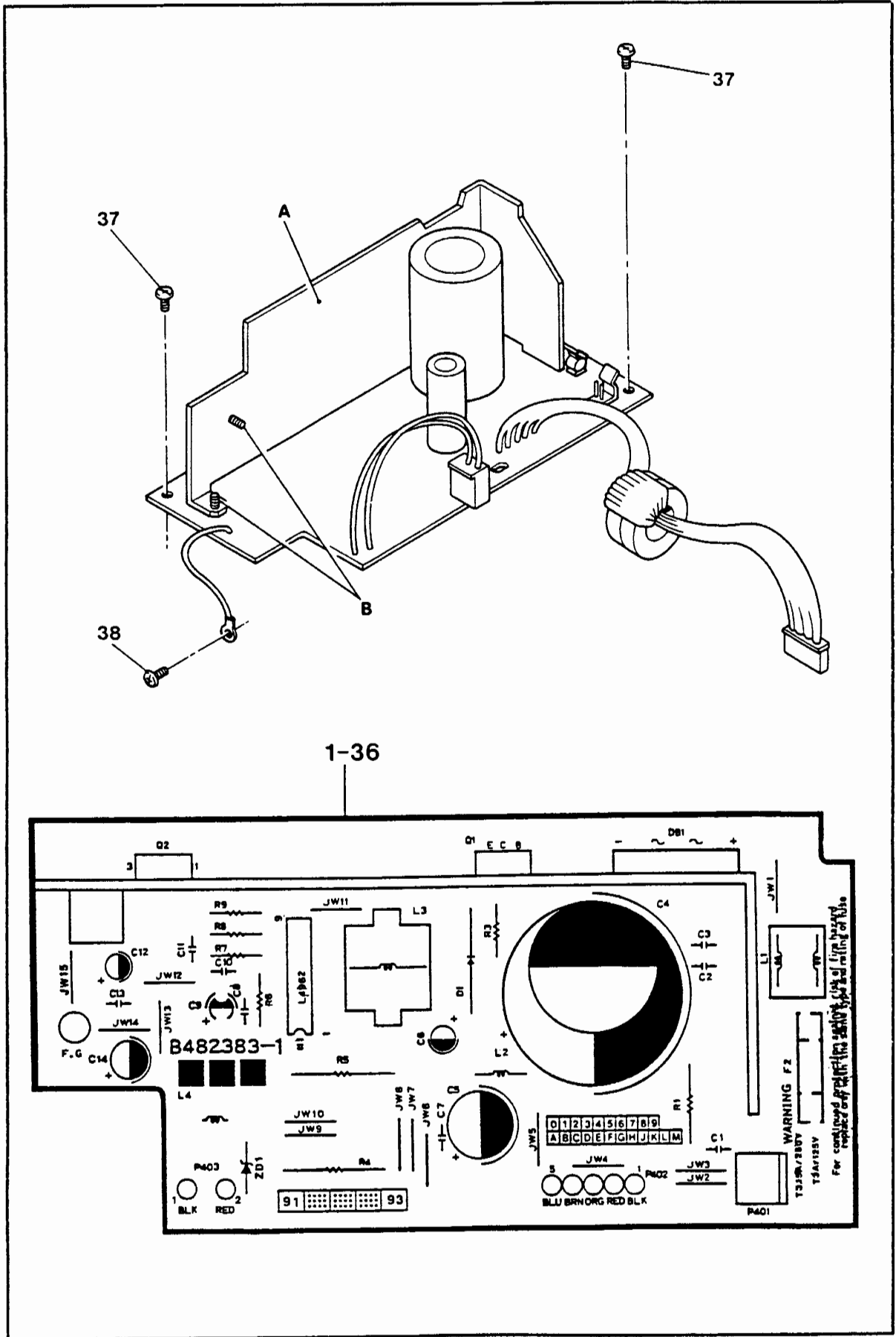
9. MAIN PCB ASSEMBLY

REF.NO.	SYMBOL	CODE	Q'TY	DESCRIPTION	RMKS
1-79	B48J042-231A	UA7639031	1	MAIN PCB ASSY B-1, USA.ENG(SP)	
1	#4	U78233000	1	MPU:HD64180R1	
2	#12	U18265000	1	IC SOCKET:ICC05-032-360TP	
3	#11	UA6282001	1	MASK ROM:KM23C4000-20	
4	#6,7	U78170000	2	DRAM:HM50464P	
5	#2,10	UA6228000	2	PSEUDO SRAM:HM65256BSP10	
6	#13	UC2835000	1	LSI:HD63266F	
7	#14	UA6252000	1	GATE ARRAY:UPD65046-160	
8	#5	091100004	1	IC:74LS04	
9	#8,9	091100157	2	IC:74LS157	
10	#3	UA6240001	1	LSI:M37470M2-093SP	
11	QA3	UA6241000	1	IC:L6203	
12	QA1,2,4	U17826000	3	TRANSISTOR AR:M5286P	
13	#1	575851000	1	IC:MPC393C	
14	Q1	U16774000	1	TRANSISTOR. :2SA1282A-FG	
15	Q2	U34923000	1	TRANSISTOR. :UN4211	
16	Q3,4	U15058000	2	TRANSISTOR. :2SC2603	
17	XT4	236441001	1	CERAMIC OSCILLATOR:CST4.00MGW	
18	XT3	U78209000	1	CERAMIC OSCILLATOR, 12.2MHZ	
19	XT2	UA6229000	1	CERAMIC OSCILLATOR:CST15.33MX	
20	XT1	UA6253000	1	CERAMIC OSCILLATOR, 16MHZ	
21	D1-4	UA6325000	4	DIODE. :RK-36-LF-DIK	
22	ZD1,2	UA6206000	2	DIODE, ZENER:MT215C	
23	ZD3	UA6230000	1	DIODE, ZENER:HZ9B1L	
24	L2,3,8	UC1772000	3	COIL:SBT-0210	
25	L1,4-6	U78267000	4	COIL:SBT-0440	
26	L7	UA1734000	1	FILTER.2R2-101	
27	BZ1	132613001	1	BUZZER:PKM24	
28	C31	Y13002001	1	CAPACITOR, CERAMIC 50B300	
29	C18	Y21810001	1	CAPACITOR, CERAMIC 50B181	
30	C8	Y16802001	1	CAPACITOR, CERAMIC 50B680	
31	C27,28	Y21020001	2	CAPACITOR, CERAMIC 50B102	
32	C2,14	Y21032401	2	CAPACITOR, CERAMIC 50B103	
33	C13,26	Y21042421	2	CAPACITOR, CERAMIC 50B104	
34	C1	Y21531121	1	CAPACITOR, CERAMIC 50B153	
35	C10,15,16,19,20,24,25,30,32,34,36-43	U10389000	18	CAPACITOR, CERAMIC 25B104Z-249	
36	C17	Y42285602	1	CAPACITOR, ALUM-ELEC 50B22-2	
37	C3	Y44715501	1	CAPACITOR, ALUM-ELEC 50B471VX	
38	C29	Y41012602	1	CAPACITOR, ALUM-ELEC 16B101	
39	C35	Y41011602	1	CAPACITOR, ALUM-ELEC 10B101VS	
40	R22	090470120	1	FIXED RESISTOR, D-A14YJ470	
41	R15,16,19,45	090101120	4	FIXED RESISTOR, D-A14YJ101	
42	R3-6,37,43,48-67,69-73,75,77,79-86,89-92	090221120	45	FIXED RESISTOR, D-A14YJ221	
43	R46	090471120	1	FIXED RESISTOR, D-A14YJ471	
44	R7-12,24,26,27,29,31,33,68,97,98	090102120	15	FIXED RESISTOR, D-A14YJ102	
45	R28,39	090152120	2	FIXED RESISTOR, D-A14YJ152	
46	R13,40	090222120	2	FIXED RESISTOR, D-A14YJ222	
47	R34	090302120	1	FIXED RESISTOR, D-A14AJ302	
48	R18,32,36,74,95	090472120	5	FIXED RESISTOR, D-A14YJ472	
49	R21,23,38,47,93,94	090103120	6	FIXED RESISTOR, D-A14YJ103	
50	R30	090473120	1	FIXED RESISTOR, D-A14YJ473	
51	R14,35,76,78	090104120	4	FIXED RESISTOR, D-A14YJ104	
52	R25	090224120	1	FIXED RESISTOR, D-A14YJ224	
53	R20	Y01500512	1	FIXED RESISTOR, G-A1YJ151	
54	R88	Y04720513	1	FIXED RESISTOR, G-A1YJ472	
55	R17	Y03307633	1	FIXED RESISTOR, G-A2YJ33-2	
56	R1	Y02209513	1	FIXED RESISTOR, G-A1YJ220	
57	RA12	Y64724041	1	RESISTOR ARRAY, 472X4J	
58	RA1	Y64725041	1	RESISTOR ARRAY, 472X5J	
59	RA4,7	Y61048041	2	RESISTOR ARRAY, 104X8J	
60	RA3,8,9	Y62215662	3	RESISTOR ARRAY, 221Y5 S	
61	RA13	Y61024662	1	RESISTOR ARRAY, 102Y4 S	
62	RA2	Y61025662	1	RESISTOR ARRAY, 102Y5 S	
63	RA5,6	Y62228662	2	RESISTOR ARRAY, 222Y8 S	
64	RA10	UA6347000	1	RESISTOR ARRAY, RGL5A1249	
65	VR1	U43385000	1	VARIABLE RESISTOR, D-1RLB102N	
66	P220	U17118000	1	CONNECTOR:B2B-PH	
67	P201	U17118001	1	CONNECTOR:B2B-PH	
68	P206	U17118002	1	CONNECTOR:B2B-PH	
69	P208	U17118004	1	CONNECTOR:B2B-PH	
70	P202	U16686000	1	CONNECTOR:B4B-PH	
71	P216	UA6238000	1	CONNECTOR:B5B-XH-A	

9. MAIN PCB ASSEMBLY

REF.NO.	SYMBOL	CODE	Q'TY	DESCRIPTION	RMKS
72	P215	U15276000	1	CONNECTOR:5267-05A	
73	P212	U17119000	1	CONNECTOR:B6B-PH	
74	P214	U17119001	1	CONNECTOR:B6B-PH	
75	P213	U17119002	1	CONNECTOR:B6B-PH	
76	P211	UA3044000	1	CONNECTOR:5229-17CPB	
77	P210	UA6254000	1	CONNECTOR:52045-2410	
78		UA6242000	1	HEAT SINK #2	
79		U05404001	1	TAPTITE, BIND B M3X8	
80		U07620001	6	TAPTITE, BIND B M3X12	
81		UA4674000	1	BOTTOM PLATE	
82		UA6258000	2	GROUND PLATE 2	

10. POWER SUPPLY PCB ASSEMBLY

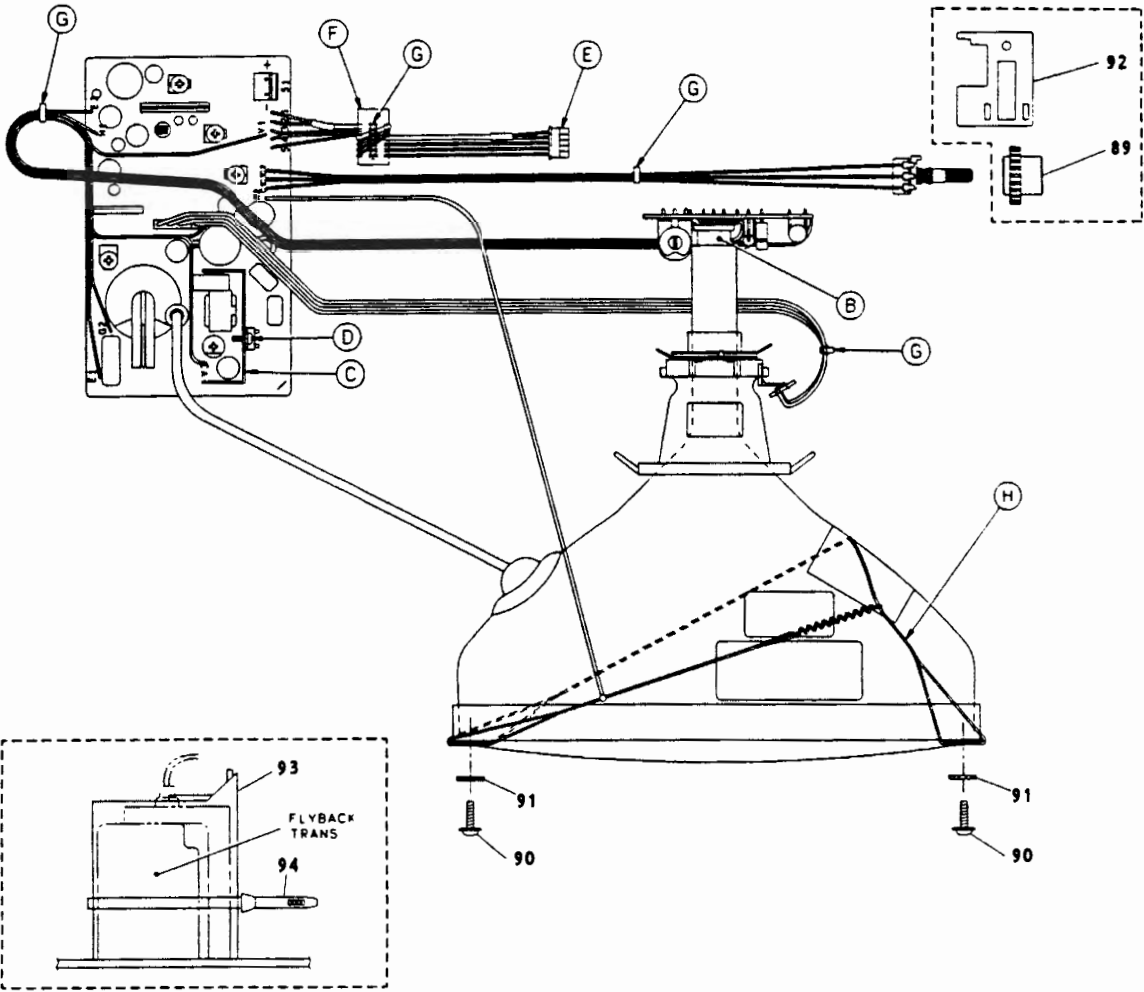


10. POWER SUPPLY PCB ASSEMBLY

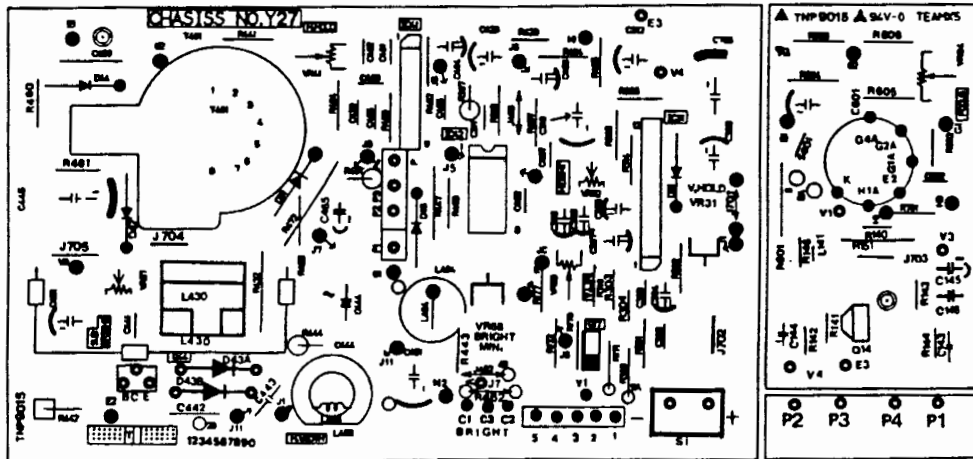
REF.NO.	SYMBOL	CODE	Q'TY	DESCRIPTION	RMKS
1-36	B482383-1A	UA2695001	1	PS PCB ASSY 1, 100-127V (SP)	
1-36	B482383-1	UA7270001	1	PS PCB ASSY 2, 200-240V (SP)	
1	#1	U85273000	1	IC:L4962	
2	Q2	136345001	1	REGULATOR:7805	
3	DB1	U17798000	1	DIODE, BR:D3SBA10	
4	Q1	UA6203000	1	TRANSISTOR, :2SC4150	
5	D1	UA6204000	1	DIODE, :SB360	
6	L1	U16735000	1	COIL:PLT1R53C	
7	L3	UC1314000	1	CHOKE COIL:140UH-3A	
8	L2	U32795001	1	FERRITE BEAD:BL01A	
9	L4	UA6205000	1	COIL:FL9H680K	
10	ZD1	UA6206000	1	DIODE, ZENER:MTZ15C	
11	C10	U18073000	1	CAPACITOR, CERAMIC 25SR333-249	
12	C7,13	U10389000	2	CAPACITOR, CERAMIC 25B104Z-249	
13	C11	Y21010001	1	CAPACITOR, CERAMIC 50B101	
14	C8	U18072000	1	CAPACITOR, CERAMIC 50B332-249	
15	C1,2,3	U10435000	3	CAPACITOR, CERAMIC 50B104-249	
16	C12	Y41011601	1	CAPACITOR, ALUM-ELEC 10B101	
17	C9	Y41002002	1	CAPACITOR, ALUM-ELEC 16B100	
18	C14	U18267000	1	CAPACITOR, ALUM-ELEC 16B101	
19	C5	Y42222001	1	CAPACITOR, ALUM-ELEC 16B222	
20	C6	Y41005602	1	CAPACITOR, ALUM-ELEC 50B100VS	
21	C4	UA1822000	1	CAPACITOR, ALUM-ELEC 50B682	
22	R9	090751110	1	FIXED RESISTOR, D-A14YG751R25	
23	R8	090561110	1	FIXED RESISTOR, D-A14YG561R25	
24	R3	Y01009411	1	FIXED RESISTOR, G-A12YJ100	
25	R7	090153120	1	FIXED RESISTOR, D-A14YJ153	
26	R6	090332120	1	FIXED RESISTOR, D-A14YJ332	
27	R4,5	UA6207000	2	FIXED RESISTOR, G-A3YJ20-1	
28	R1	U15635001	1	FIXED RESISTOR, G-A2YJ152	
29	P401	U18078000	1	CONNECTOR:5273-02A	
30	P402	UA6208001	1	POWER SUPPLY HARNESS ASSY	
31	P403	UA1819001	1	CRT HARNESS ASSY	
32	F.G	UA1820000	1	GROUND WIRE #1	
33	A	UA6210000	1	HEAT SINK #1	
34	B	U06923001	4	TAPTITE, BIND B M3X10	
35	F2	UC1840000	1	GLASS FUSE, 3A-5TT	
35	F2	U17813000	1	GLASS FUSE, 3.15AS506	
36	F2	U16537000	2	FUSE CRIP:S-N5057S	
37		U05404001	2	TAPTITE, BIND B M3X8	
38		062300506	1	SCREW, PAN M3X5	

11. MONITOR

1-88 A.



1-88



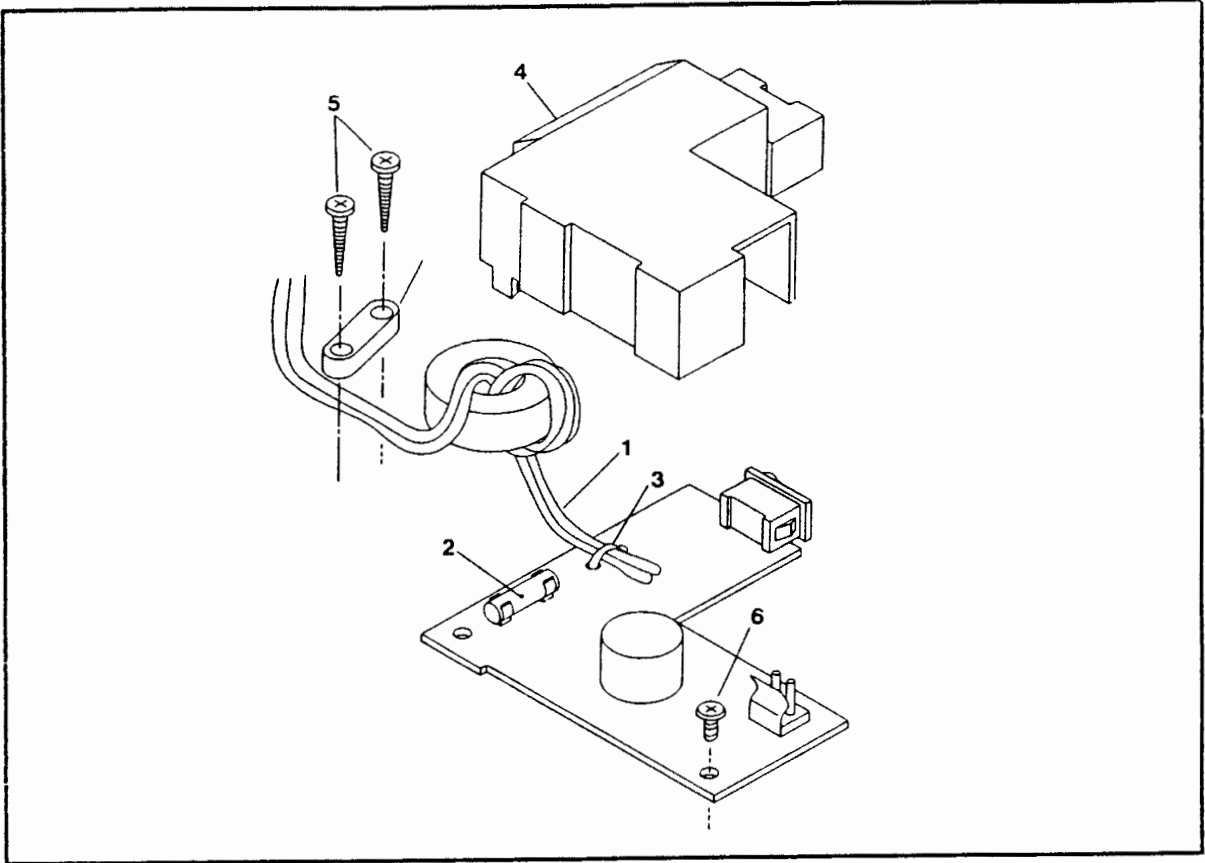
11. MONITOR

REF.NO.	SYMBOL	CODE	Q'TY	DESCRIPTION	RMKS
1-88A		UA2658001	1	CRT UNIT (SP) NORTHERN	
1-88A		UA2659001	1	CRT UNIT (SP) SOUTHERN	
1-88	TNP9015	UA2666001	1	CRT PCB ASSY (SP)	
1	IC31	U78389000	1	IC:AN5763	
2	IC41	U78388000	1	IC:AN5753	
3	Q14	U78328000	1	TRANSISTOR, :2SC1360ANC	
4	Q17	U78330000	1	TRANSISTOR, :2SD636QR	
5	Q44	UC0104000	1	TRANSISTOR, :2SD1163A02	
6	D44	UA2428000	1	DIODE, :RGP01-14	
7	D46,51	UC0109000	2	DIODE, :TVR06J	
8	D43A,43B	UC0141000	2	DIODE, :TVR10J	
9	D47	U78547000	1	DIODE, :TVR06D	
10	D31	U78326000	1	DIODE, :10E1FC	
11	L141	U78369000	1	COIL:TLT047K991	
12	L403	UA2429000	1	COIL:TLH80707T-1D	
13	L404	U78367000	1	COIL:TLH80619T	
14	L430	U78366000	1	TRANSFORMER:TLH80410	
15	C143	Y13912000	1	CAPACITOR, CERAMIC 508391	
16	C602	UC0281000	1	CAPACITOR, CERAMIC 500B102	
17	C308	Y43300001	1	CAPACITOR, ALUM-ELEC 6.3B330	
18	C310	Y41021001	1	CAPACITOR, ALUM-ELEC 10B102	
19	C307	Y41002001	1	CAPACITOR, ALUM-ELEC 16B100	
20	C309	Y42212001	1	CAPASITOR, ALUM-ELEC 16B221	
21	C423	Y43312001	1	CAPACITOR, ALUM-ELEC 16B331	
22	C312	Y44712001	1	CAPACITOR, ALUM-ELEC 16B471	
23	C491	Y41022001	1	CAPACITOR, ALUM-ELEC 16B102	
24	C705	Y42222001	1	CAPACITOR, ALUM-ELEC 16B222	
25	C404	Y44793001	1	CAPACITOR, ALUM-ELEC 25B47-1	
26	C145	Y41006001	1	CAPACITOR, ALUM-ELEC 63B100	
27	C461	Y41016001	1	CAPACITOR, ALUM-ELEC 63B101	
28	C465	U78391000	1	CAPACITOR, ALUM-ELEC 350B33-1	
29	C406	Y51020000	1	CAPACITOR, POLYESTER 50B102	
30	C303,403	Y51030000	2	CAPACITOR, POLYESTER 50B103	
31	C402,430	Y51530000	2	CAPACITOR, POLYESTER 50B153	
32	C401	Y51830000	1	CAPACITOR, POLYESTER 50B183	
33	C302	Y52230000	1	CAPACITOR, POLYESTER 50B223	
34	C311	Y53330000	1	CAPACITOR, POLYESTER 50B333	
35	C443	UA2442000	1	CAPACITOR, POLYESTER 400B223	
36	C442	UA2443000	1	CAPACITOR, POLYESTER 400B333	
37	C460	UA2430000	1	CAPACITOR, POLYESTER 1000B104	
38	C305,306	U78383000	2	CAPACITOR, TANTALUM 16B47-1	
39	C304	U78384000	1	CAPACITOR, TANTALUM 35B33-2	
40	C444	U78392000	1	CAPACITOR, ALUM-ELEC 25B120	
41	C405	UA2431000	1	CAPACITOR, STYROL 125B392	
42	R444	090122620	1	FIXED RESISTOR, D-A14AJ122S	
43	R307	090479120	1	FIXED RESISTOR, D-A14YJ47-1	
44	R143	090470120	1	FIXED RESISTOR, D-A14YJ470	
45	R146	090820120	1	FIXED RESISTOR, D-A14YJ820	
46	R144	090101120	1	FIXED RESISTOR, D-A14YJ101	
47	R313	090221120	1	FIXED RESISTOR, D-A14YJ221	
48	R140	090202120	1	FIXED RESISTOR, D-A14YJ202	
49	R404	090242120	1	FIXED RESISTOR, D-A14YJ242R25	
50	R402	090332120	1	FIXED RESISTOR, D-A14YJ332	
51	R301	090472120	1	FIXED RESISTOR, D-A14YJ472	
52	R172	090562120	1	FIXED RESISTOR, D-A14YJ562	
53	R493	090682120	1	FIXED RESISTOR, D-A14YJ682	
54	R170,171	090103120	2	FIXED RESISTOR, D-A14YJ103	
55	R310	090153120	1	FIXED RESISTOR, D-A14YJ153	
56	R462	090183120	1	FIXED RESISTOR, D-A14YJ183	
57	R403	090273120	1	FIXED RESISTOR, D-A14YJ273	
58	R401	090333120	1	FIXED RESISTOR, D-A14YJ333	
59	R302	090683120	1	FIXED RESISTOR, D-A14YJ683	
60	R305	090144120	1	FIXED RESISTOR, D-A14YJ144	
61	R465	090474120	1	FIXED RESISTOR, D-A14YJ474	
62	R304,306	U78398000	2	FIXED RESISTOR, D-A14AJ11-1	
63	R303,441,461	U78352000	3	FIXED RESISTOR, D-A14AJ68-1	
64	R460	UA2432000	1	FIXED RESISTOR, D-A14AJ220	
65	R423	U78353000	1	FIXED RESISTOR, D-A14AJ680	
66	R443	U78351000	1	FIXED RESISTOR, D-A14AJ122	
67	R602,605,606	U78350000	3	FIXED RESISTOR, D-A14AJ103	
68	R601	U78397000	1	FIXED RESISTOR, S-A12AK561	
69	R447	Y06800510	1	FIXED RESISTOR, G-A1AJ681	
70	R151	Y01801711	1	FIXED RESISTOR, G-A3YJ182	
71	R432	U78354000	1	FIXED RESISTOR, M-A2J100	
72	VR41	UA2433000	1	VARIABLE RESISTOR, D-1RLB102	
73	VR33,68	UA2444000	2	VARIABLE RESISTOR, D-1RLB103	
74	VR32	U78355000	1	VARIABLE RESISTOR, D-1RLB503	
75	VR31	UA2445000	1	VARIABLE RESISTOR, D-1RLB104	
76	VR63	UA2446000	1	VARIABLE RESISTOR, D-1ROB104	
77	VR67	U78356000	1	VARIABLE RESISTOR, D-1RLB204	
78	VR64	U78357000	1	VARIABLE RESISTOR, D-1RLB205	
79	T401	U78365000	1	FB TRANSFORMER:TLF80337T-1	
80	S1	U16194000	1	CONNECTOR:5289-2A	

11. MONITOR

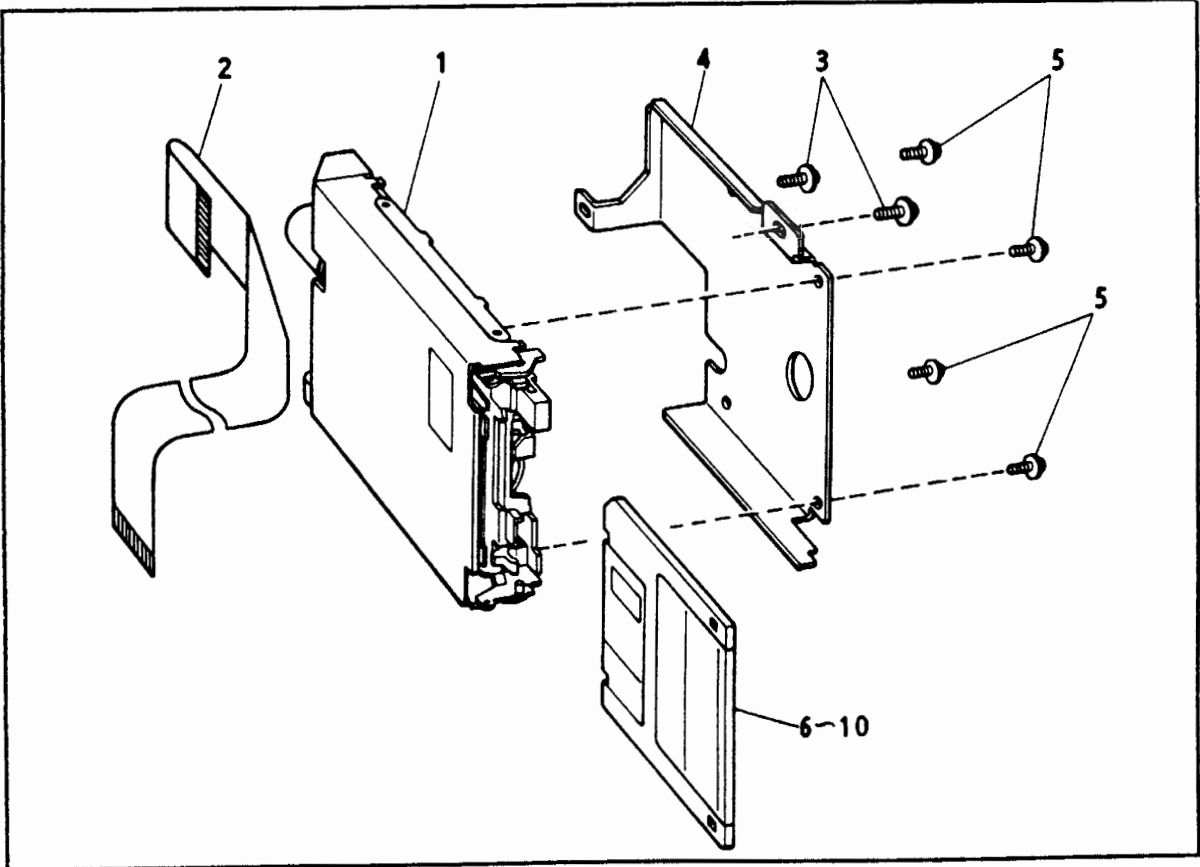
REF.NO.	SYMBOL	CODE	Q'TY	DESCRIPTION	RMKS
81	B	UC0113000	1	CRT SOCKET	
82	C	UA2434000	1	HEAT SINK:TUC4C0025	
83	D	535151001	1	TAPPING SCREW, 2 M3X8	
84-86		UA3537001	1	SIGNAL CABLE UNIT	
84	E	UA3538001	1	SIGNAL CABLE ASSY	
85	F	UA2447000	1	FILTER B5T, 25.9X14	
86	G	529545001	1	CABLE TIE	
87	G	529545001	4	CABLE TIE	
88	H	UA2437001	1	KNIT WIRE:TXA3A19015	
89		UA7405011	1	BRIGHTNESS CONTROLLER, GRAY738 WP-2800Q	
89		UA7405021	1	BRIGHTNESS CONTROLLER,GRAY1251 WP-2500Q	
89		UA7405022	1	BRIGHTNESS CONTROLLER,GRAY1252 WP-2600Q	
90		U02082001	4	TAPPING SCREW, FLANGE 2 M4X12	
91		502673001	4	WASHER, EX TOOTH 4	
92		UA2322000	1	VOLUME HOLDER	
93		UA2812001	1	FB TRANSFORMER SHIELD ASSY	
94		UA2828000	1	CABLE TIE	

12. FILTER PCB ASSEMBLY



53V-312-103

13. FLOPPY DISK DRIVE ASSEMBLY



53V-312-302

12. FILTER PCB ASSEMBLY

REF.NO.	CODE	Q'TY	DESCRIPTION	REMARKS
1-2	UA2679001	1	FILTER PCB ASSY 1, 100V (SP)	
1-2	UA2672001	1	FILTER PCB ASSY 2, 110-120V (SP)	
1-2	UA2680001	1	FILTER PCB ASSY 3, 220-230V (SP)	
1-2	UA2681001	1	FILTER PCB ASSY 4, 240V (SP)	
1-2	UA2682001	1	FILTER PCB ASSY 5, SAA (SP)	
1-2	UA2683001	1	FILTER PCB ASSY 6, PERU (SP)	
1-2	UA2684001	1	FILTER PCB ASSY 7, 110-120V (SP)	
1-2	UA2685001	1	FILTER PCB ASSY 8, 127V (SP)	
1-2	UA2686001	1	FILTER PCB ASSY 9, BS (SP)	
1-2	UA3587001	1	FILTER PCB ASSY 10, FEMKO (SP)	
1-2	UA5444001	1	FILTER PCB ASSY 11, BS (SP)	
1	UA2451001	1	AC CORD ASSY, 100V	
1	UA2452001	1	AC CORD ASSY, 115V	
1	UA2453001	1	AC CORD ASSY, 220V	
1	UA2454001	1	AC CORD ASSY, BS	
1	UA2455001	1	AC CORD ASSY, SAA	
1	UA2456001	1	AC CORD ASSY, UL	
1	UA5458001	1	AC CORD ASSY, BSM SGP./GBR.	
2	UA2448000	1	GLASS FUSE, 1.6ATSC	
2	UA2449000	1	GLASS FUSE, 1.6A-5TT	
2	UA2450000	1	GLASS FUSE, 800MAS506	
2	UA6348000	1	FUSE, 800MA19181	
3	571852001	1	CORD CLAMP	
4	UA2323008	1	POWER SUPPLY COVER UL/CSA	
4	UA4784001	1	POWER SUPPLY COVER E	
5	UA8029001	2	TAPPING SCREW, PAN V M3X18	
6	U05404001	1	TAPTITE, BIND B M3X8	

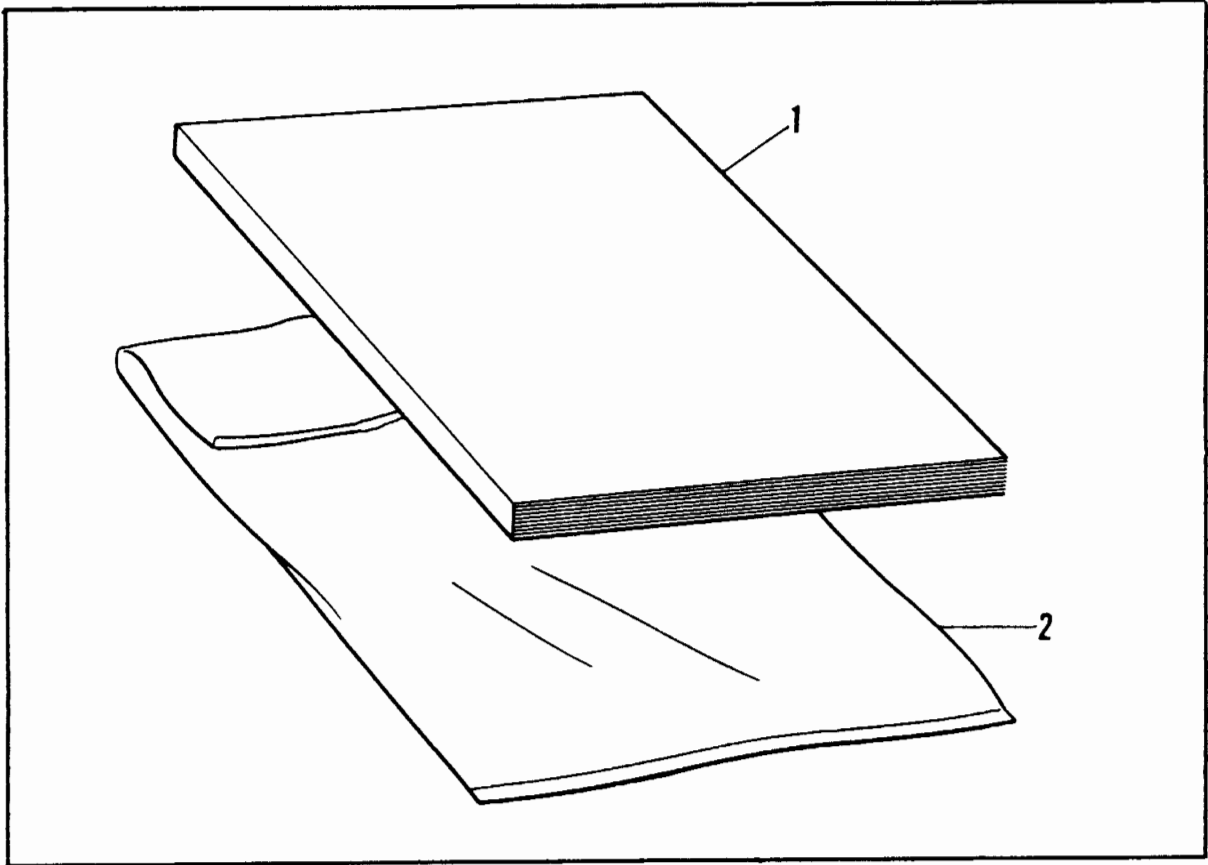
53V-312-103

13. FLOPPY DISK DRIVE ASSEMBLY

REF.NO.	CODE	Q'TY	DESCRIPTION	REMARKS
1	UA7638011	1	FDD ASSY 213, GRAY738 (SP) WP-2800Q	
1	UA7638021	1	FDD ASSY 213, GRAY1251 (SP) WP-2500Q	
1	UA7638022	1	FDD ASSY 213, GRAY1252 (SP) WP-2600Q	
2	UA7524001	1	FLAT CABLE	
3	U09759001	2	SCREW, PAN (WASHER) M3X6DB	
4	UA6488000	1	FDD SUB HOLDER	
5	U11776001	4	SCREW, FLANGE M3X3.5	
6	UA6262001	1	EMPTY DISK ASSY USA.	
6	UA6264001	1	EMPTY DISK ASSY EUROPE/JPN.	
7	UA6266001	1	2DD DISK ASSY US1 WP-2500Q	
8	UA6268001	1	2DD DISK ASSY US2 WP-2600Q	
9	UA6272001	1	2DD DISK ASSY US3 WP-2800Q	
10	UA8041001	1	2DD DISK ASSY US4	

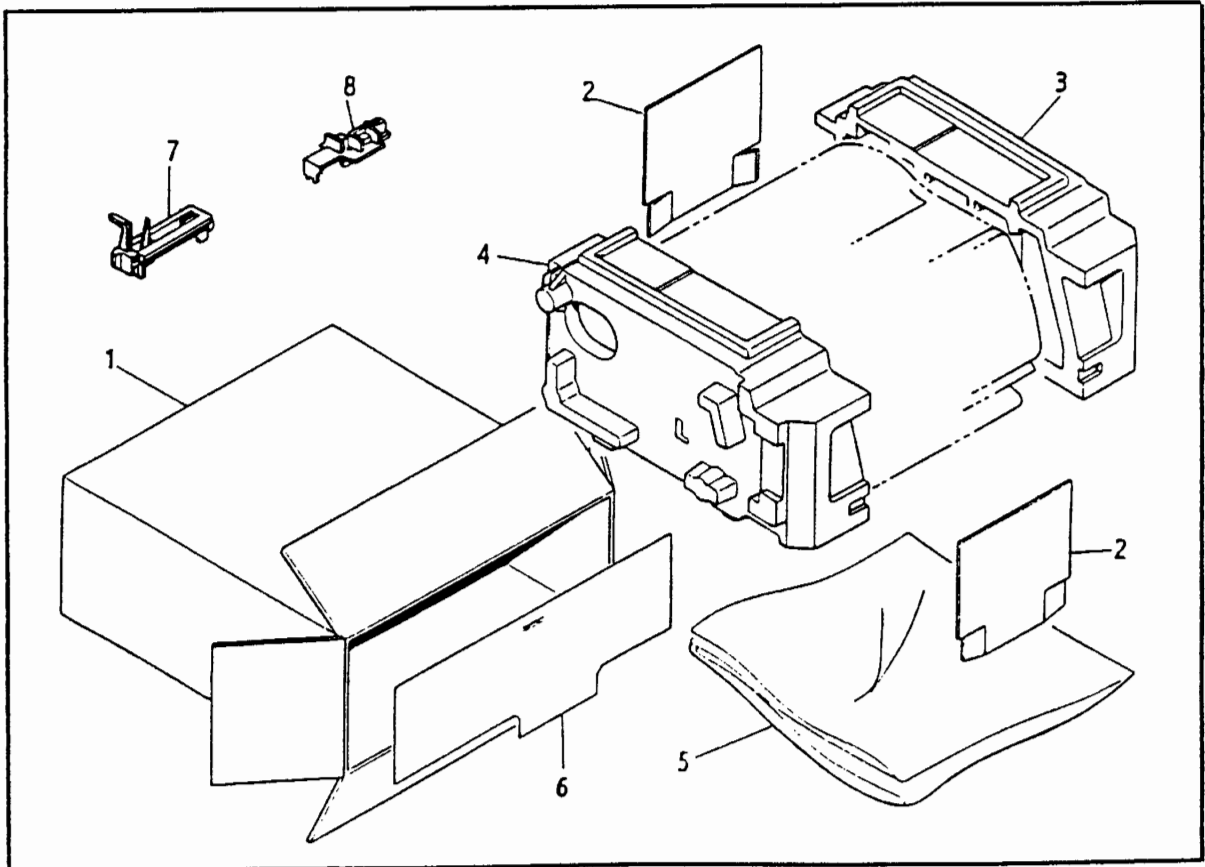
53V-312-302

14. PRINTED MATTER



53V-312-920

15. PACKING MATERIALS



53V-312-930

14. PRINTED MATTER

REF. NO.	CODE	Q'TY	DESCRIPTION	REMARKS
1	592312061	1	USER'S MANUAL, USA.ENGLISH WP-2500Q/2600Q PERFORATED BAG	
2	UA7282001	1		

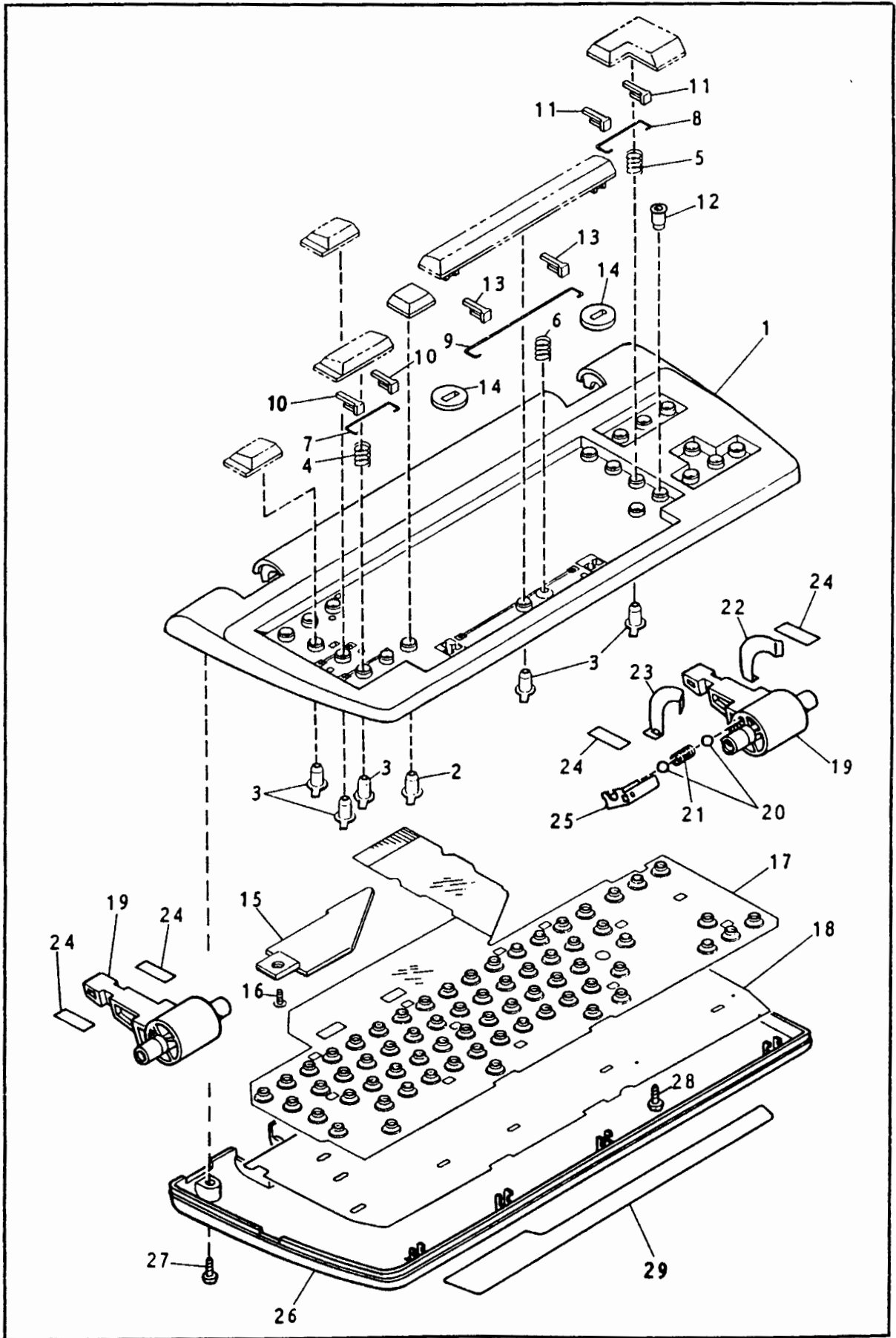
53V-312-920

15. PACKING MATERIALS

REF. NO.	CODE	Q'TY	DESCRIPTION	REMARKS
1	U62233022	1	CARTON USA. WP-2500Q	
1	U62166022	1	CARTON USA. WP-2600Q	
2	U61191000	2	PARTITION	
3	U62159001	1	STYROFOAM PAD R	
4	U62160001	1	STYROFOAM PAD L	
5	UA7284001	1	PERFORATED BAG	
6	U61790000	1	KB PROTECT SHEET	
7	U62052001	1	CARRIAGE STOPPER	
8	U62053001	1	RIBBON CASSETTE STOPPER 3V-302	

53V-312-930

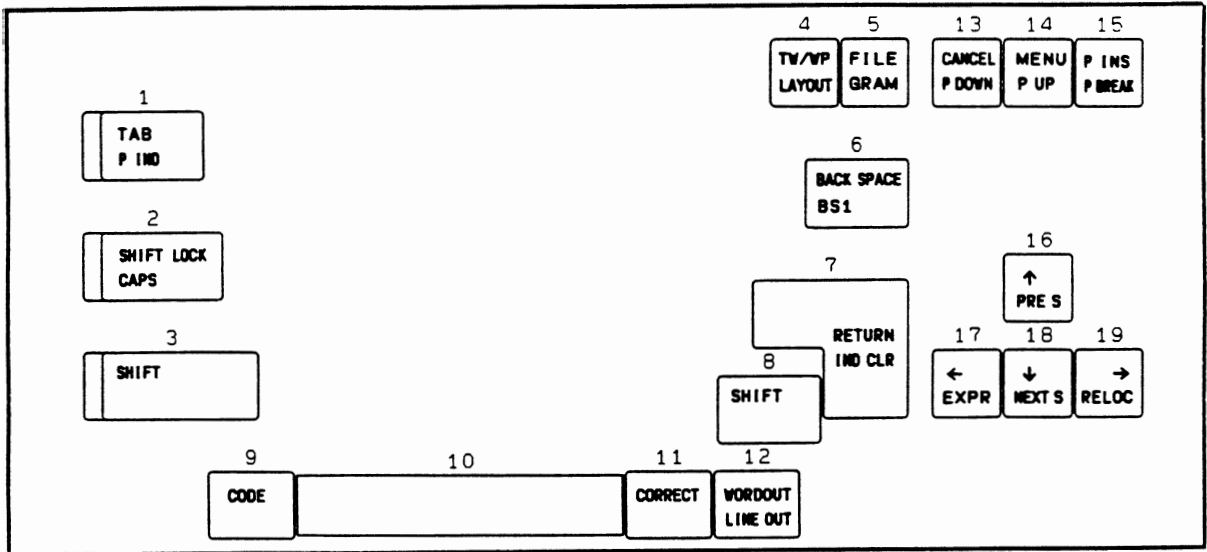
16.1. KEYBOARD MECHANISM/USA. ENGLISH



16.1. KEYBOARD MECHANISM/USA.ENGLISH

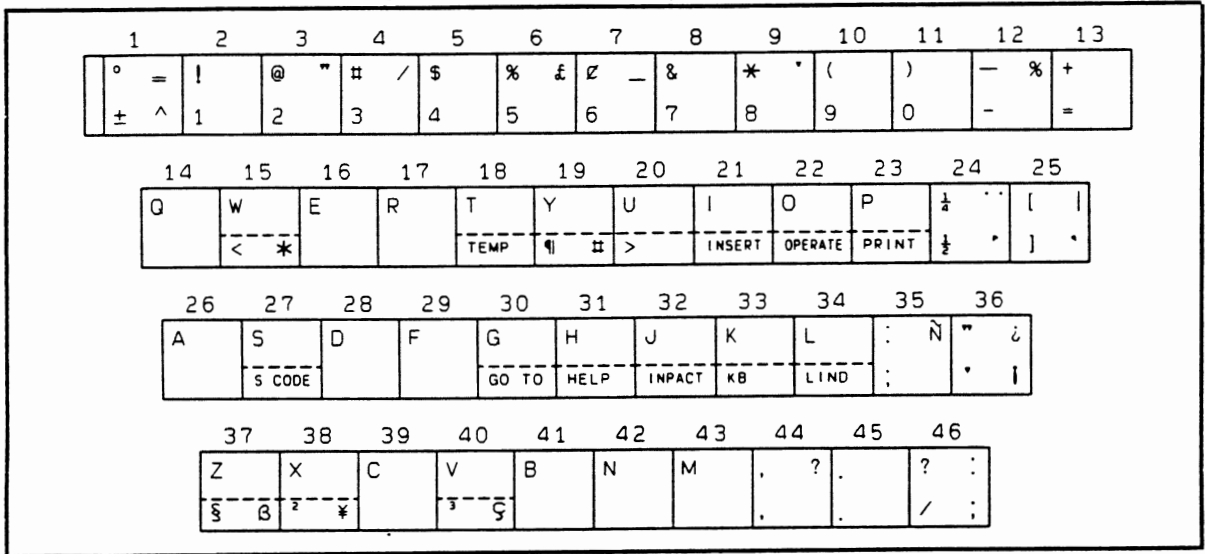
REF.NO.	CODE	Q'TY	DESCRIPTION	REMARKS
1	UA7574021	1	KB UPPER COVER 56, GRAY1251 WP-2500Q	
1	UA7574022	1	KB UPPER COVER 56, GRAY1252 WP-2600Q	
2	U11350000	46	KEY STEM	
3	U11350000	19	KEY STEM	
4	539211001	1	SPRING, COMPRESSION M10.85X19	
5	539211001	1	SPRING, COMPRESSION M10.85X19	
6	U08599001	1	SPRING, COMPRESSION M11X19	
7	U09006000	1	WIRE, 38X9.8	
8	U09006000	1	WIRE, 38X9.8	
9	UA0206000	1	WIRE, 95X9.8	
10	U51457001	2	711 WIRE GUIDE	
11	U51457001	2	711 WIRE GUIDE	
12	U11777001	1	SUB STEM GUIDE #4	
13	U51457001	2	711 WIRE GUIDE	
14	UA4780001	2	SOUND ABSORBER SPACE	
15	UA4664013	1	FPC HOLDER, WHITE1138	
16	U06923001	1	TAPTITE, BIND B M3X10	
17	UA4665001	1	FPC ASSY	
18	UA7464000	1	BASE PLATE	
19	UA7387021	2	KB TILT ARM R/L, GRAY1251 WP-2500Q	
19	UA7387022	2	KB TILT ARM R/L, GRAY1252 WP-2600Q	
20	071050040	2	BEARING BALL 5.0	
21	UA7422001	1	KB LOCK SPRING	
22	UA7427000	1	KB LOCK PLATE R	
23	UA7493000	1	KB LOCK PLATE L	
24	UA7428000	4	KB PLATE SPRING	
25	UA7494000	1	KB BEARING BALL HOLDER	
26	UA7388021	1	KB LOWER COVER, GRAY1251 WP-2500Q	
26	UA7388022	1	KB LOWER COVER, GRAY1252 WP-2600Q	
27	U06923003	4	TAPTITE, BIND B M3X10	
28	U06923001	1	TAPTITE, BIND B M3X10	
29	UA7447001	1	KB LABEL WP-2500Q	
29	UA7389001	1	KB LABEL WP-2600Q	

16.2. FUNCTION KEYS/USA.ENGLISH



53V-312-202

16.3. CHARACTER KEYS/USA.ENGLISH



53V-312-202

16.2. FUNCTION KEYS/USA.ENGLISH

REF.NO.	CODE	Q'TY	DESCRIPTION	REF.NO.	CODE	Q'TY	DESCRIPTION
1	U75115078	1	TAB/P IND KEY				
2	UA0201078	1	SHIFT LOCK/CAPS KEY				
3	U11356077	1	SHIFT KEY				
4	UA5512078	1	TW/WP/LAYOUT KEY				
5	UA5513078	1	FILE/GRAM KEY				
6	U12875078	1	BACK SPACE/BS1 KEY				
7	U78091078	1	RETURN/IND CLR KEY				
8	U05982077	1	SHIFT KEY				
9	U78005078	1	CODE KEY				
10	UA0302077	1	SPACE KEY				
11	U11367077	1	CORRECT KEY				
12	UA3230078	1	WORD OUT/LINE OUT KEY				
13	UA5514078	1	CANCEL/P DOWN KEY				
14	UA5515078	1	MENU/P UP KEY				
15	U78009078	1	P INS/P BREAK KEY				
16	UA5516078	1	UP/PRE S KEY				
17	UA5517078	1	LEFT/EXPR KEY				
18	UA5518078	1	DOWN/NEXT S KEY				
19	UA5519078	1	RIGHT/RELOC KEY				

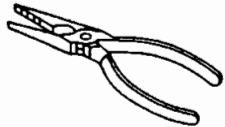
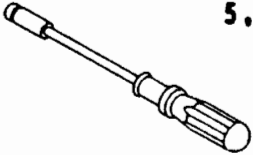
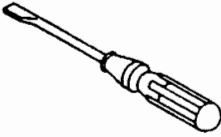
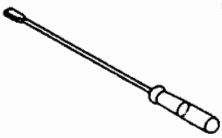
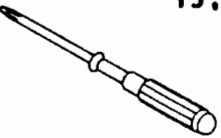
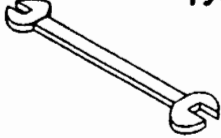

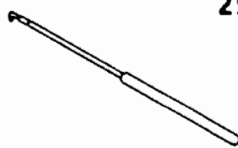
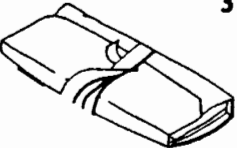
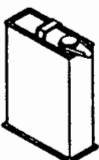
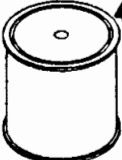
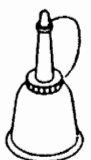



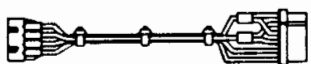
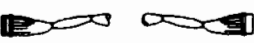
53V-312-202

16.3. CHARACTER KEYS/USA.ENGLISH

REF.NO.	CODE	Q'TY	DESCRIPTION	REF.NO.	CODE	Q'TY	DESCRIPTION
1-46	UA5344119	1	KEY ASSY, USA.ENGLISH	24	583316077	1	KEY
1	U51317077	1	KEY	25	583317077	1	KEY
2	U50429077	1	KEY	26	UA5505078	1	KEY
3	583306077	1	KEY	27	U11383078	1	KEY
4	583307077	1	KEY	28	583275077	1	KEY
5	583241077	1	KEY	29	UA0321077	1	KEY
6	583308077	1	KEY	30	UA5507078	1	KEY
7	583309077	1	KEY	31	UA5508078	1	KEY
8	583244077	1	KEY	32	UA5342078	1	KEY
9	583310077	1	KEY	33	UA5509078	1	KEY
10	583246077	1	KEY	34	UA5510078	1	KEY
11	583247077	1	KEY	35	583321077	1	KEY
12	583311077	1	KEY	36	583322077	1	KEY
13	583249077	1	KEY	37	583328078	1	KEY
14	U50431077	1	KEY	38	583329078	1	KEY
15	583313078	1	KEY	39	583290077	1	KEY
16	583259077	1	KEY	40	583330078	1	KEY
17	583260077	1	KEY	41	583292077	1	KEY
18	UA5501078	1	KEY	42	583293077	1	KEY
19	583314078	1	KEY	43	UA5511078	1	KEY
20	583315078	1	KEY	44	583331077	1	KEY
21	UA5502078	1	KEY	45	583332077	1	KEY
22	UA5503078	1	KEY	46	583333077	1	KEY
23	UA5504078	1	KEY				

53V-312-202

17. ADJUSTING TOOL KIT

 <p>1</p>	 <p>5,7</p>	 <p>9</p>
 <p>11</p>	 <p>13,14</p>	 <p>19-1</p>
 <p>26</p>	 <p>29</p>	 <p>32</p>
 <p>42-6</p>	 <p>43-A, B, D</p>	 <p>44</p>
 <p>67A</p>	 <p>76</p>	 <p>100</p>
 <p>121</p>	 <p>122</p>	

17. ADJUSTING TOOL KIT

TOOL NO.	TOOL NAME
ZX-1	PLIER (150MM)
ZX-5	BOX DRIVER (6.0MM)
ZX-7	BOX DRIVER (8.0MM)
ZX-9	DRIVER (75MM)
ZX-11	SCREWDRIVER (4.7X270MM)
ZX-13	SCREWDRIVER, PHILLIPS (NO-1)
ZX-14	SCREWDRIVER, PHILLIPS (NO-2)
ZX-19-1	SPANNER (8.0X10MM)
ZX-26	HEXAGONAL WRENCH (2.0MM)
ZX-29	HOOK FOR SPRING
ZX-32	TOOL CARRYING BAG
ZX-42G	LUBRICATING OIL(SILICON OIL KF 961 0.1L)
ZX-43A	LUBRICATING GREASE(EPINOC GREASE#1 2.5KG)
ZX-43B	LUBRICATING GREASE (GREASE B 1 KG)
ZX-43D	LUBRICATING GREASE(SILICON G.KS64F 0.1KG)
ZX-44	OILER
ZX-67A	CHECKER (CH-60A)
ZX-76	HEAD ROPE TENSION ADJUSTING SCALE(JP11X)
ZX-100	RESIN HEXAGONAL WRENCH
ZX-121	CHECKER CABLE WP-1X
ZX-122	CHECKER CABLE AX-N

INDEX

CODE	REF.NO.	PAGE
UA0201078	16.2 - 2	28
UA0206000	16.1 - 9	26
UA0302077	16.2 - 10	28
UA0321077	16.3 - 29	28
UA1734000	9 - 26	12
UA1819001	10 - 31	16
UA1820000	10 - 32	16
UA1822000	10 - 21	16
UA2153000	8 - 16	10
UA2159000	3 - 29	4
UA2161001	7 - 1	8
UA2183011	8 - 18	10
UA2195008	8 - 19	10
UA2200001	3 - 32	4
UA2202001	3 - 28	4
UA2322000	11 - 92	19
UA2323008	12 - 4	22
UA2325000	3 - 18	4
UA2428000	11 - 6	18
UA2429000	11 - 12	18
UA2430000	11 - 37	18
UA2431000	11 - 41	18
UA2432000	11 - 64	18
UA2433000	11 - 72	18
UA2434000	11 - 82	19
UA2437001	11 - 88	19
UA2442000	11 - 35	18
UA2443000	11 - 36	18
UA2444000	11 - 73	18
UA2445000	11 - 75	18
UA2446000	11 - 76	18
UA2447000	11 - 85	19
UA2448000	12 - 2	22
UA2449000	12 - 2	22
UA2450000	12 - 2	22
UA2451001	12 - 1	22
UA2452001	12 - 1	22
UA2453001	12 - 1	22
UA2454001	12 - 1	22
UA2455001	12 - 1	22
UA2456001	12 - 1	22
UA2547001	2 - 2	2
UA2548001	2 - 5	2
UA2606001	2 - 9	2
UA2608003	2 - 17	2
UA2610001	2 - 19	2
UA2612001	2 - 21	2
UA2613000	2 - 22	2
UA2614001	2 - 23	2
UA2615000	2 - 24	2
UA2616000	2 - 25	2
UA2617001	3 - 17	4
UA2619001	3 - 2-4	4
UA2620000	3 - 2	4
UA2621000	3 - 3	4
UA2622000	3 - 4	4
UA2624001	3 - 21	4
UA2625000	3 - 22	4
UA2628000	3 - 25	4
UA2629008	3 - 26	4
UA2630008	3 - 27	4
UA2647001	4 - 1	4
UA2648001	4 - 1	4
UA2649001	4 - 1	4
UA2650001	4 - 1	4
UA2651001	4 - 1	4
UA2652001	4 - 1	4

CODE	REF.NO.	PAGE
UA2653001	4 - 1	4
UA2658001	11 - 1-88A	18
UA2659001	11 - 1-88A	18
UA2666001	11 - 1-88	18
UA2672001	12 - 1-2	22
UA2679001	12 - 1-2	22
UA2680001	12 - 1-2	22
UA2681001	12 - 1-2	22
UA2682001	12 - 1-2	22
UA2683001	12 - 1-2	22
UA2684001	12 - 1-2	22
UA2685001	12 - 1-2	22
UA2686001	12 - 1-2	22
UA2695001	10 - 1-36	16
UA2812001	11 - 93	19
UA2828000	11 - 94	19
UA2903001	8 - 22	10
UA3044000	9 - 76	13
UA3230078	16.2 - 12	28
UA3537001	11 - 84-86	19
UA3538001	11 - 84	19
UA3587001	12 - 1-2	22
UA3974000	8 - 17	10
UA4664013	16.1 - 15	26
UA4665001	16.1 - 17	26
UA4674000	9 - 81	13
UA4678001	1 - 1-18	2
UA4679001	1 - 1	2
UA4683001	1 - 2	2
UA4685001	1 - 6	2
UA4686000	1 - 7	2
UA4687000	1 - 8	2
UA4688001	1 - 13	2
UA4692000	1 - 22	2
UA4693001	1 - 19	2
UA4694001	1 - 20	2
UA4698001	2 - 13	2
UA4699001	2 - 14	2
UA4700001	2 - 16	2
UA4705001	3 - 1	4
UA4706000	3 - 13	4
UA4707000	3 - 33	4
UA4710001	5 - 1	6
UA4716000	5 - 2	6
UA4762000	5 - 13	6
UA4763001	5 - 14	6
UA4764001	5 - 19	6
UA4767011	2 - 18	2
UA4768011	2 - 20	2
UA4780001	16.1 - 14	26
UA4784001	12 - 4	22
UA4785001	2 - 15	2
UA4787001	1 - 9	2
UA4793001	5 - 7	6
UA5342078	16.3 - 32	28
UA5344119	16.3 - 1-46	28
UA5348001	5 - 6	6
UA5444001	12 - 1-2	22
UA5458001	12 - 1	22
UA5501078	16.3 - 18	28
UA5502078	16.3 - 21	28
UA5503078	16.3 - 22	28
UA5504078	16.3 - 23	28
UA5505078	16.3 - 26	28
UA5507078	16.3 - 30	28
UA5508078	16.3 - 31	28
UA5509078	16.3 - 33	28

INDEX

CODE	REF.NO.	PAGE
UA5510078	16.3 - 34	28
UA5511078	16.3 - 43	28
UA5512078	16.2 - 4	28
UA5513078	16.2 - 5	28
UA5514078	16.2 - 13	28
UA5515078	16.2 - 14	28
UA5516078	16.2 - 16	28
UA5517078	16.2 - 17	28
UA5518078	16.2 - 18	28
UA5519078	16.2 - 19	28
UA6203000	10 - 4	16
UA6204000	10 - 5	16
UA6205000	10 - 9	16
UA6206000	9 - 22	12
	10 - 10	16
UA6207000	10 - 27	16
UA6208001	10 - 30	16
UA6210000	10 - 33	16
UA6228000	9 - 5	12
UA6229000	9 - 19	12
UA6230000	9 - 23	12
UA6238000	9 - 71	12
UA6240001	9 - 10	12
UA6241000	9 - 11	12
UA6242000	9 - 78	13
UA6252000	9 - 7	12
UA6253000	9 - 20	12
UA6254000	9 - 77	13
UA6258000	9 - 82	13
UA6259001	7 - 2	8
UA6262001	13 - 6	22
UA6264001	13 - 6	22
UA6266001	13 - 7	22
UA6268001	13 - 8	22
UA6272001	13 - 9	22
UA6282001	9 - 3	12
UA6325000	9 - 21	12
UA6347000	9 - 64	12
UA6348000	12 - 2	22
UA6488000	13 - 4	22
UA7270001	10 - 1-36	16
UA7282001	14 - 2	24
UA7284001	15 - 5	24
UA7352001	1 - 15	2
UA7367021	2 - 4	2
UA7367022	2 - 4	2
UA7368011	2 - 8	2
UA7369000	3 - 23	4
UA7376001	5 - 8	6
UA7377001	5 - 9	6
UA7382000	5 - 15	6
UA7387021	16.1 - 19	26
UA7387022	16.1 - 19	26
UA7388021	16.1 - 26	26
UA7388022	16.1 - 26	26
UA7389001	16.1 - 29	26
UA7393021	8 - 2	10
UA7393022	8 - 2	10
UA7396021	8 - 4-5	10
UA7396022	8 - 4-5	10
UA7397021	8 - 4	10
UA7397022	8 - 4	10
UA7398021	8 - 7	10
UA7398022	8 - 7	10
UA7399021	8 - 9	10
UA7399022	8 - 9	10
UA7400021	8 - 10	10

CODE	REF.NO.	PAGE
UA7400022	8 - 10	10
UA7401001	8 - 12	10
UA7402021	8 - 13	10
UA7402022	8 - 13	10
UA7403021	8 - 14	10
UA7403022	8 - 14	10
UA7404001	8 - 15	10
UA7405011	11 - 89	19
UA7405021	11 - 89	19
UA7405022	11 - 89	19
UA7408001	5 - 10	6
UA7413001	5 - 11	6
UA7416001	8 - 23	10
UA7419001	8 - 25	10
UA7422001	16.1 - 21	26
UA7427000	16.1 - 22	26
UA7428000	16.1 - 24	26
UA7445001	8 - 15	10
UA7447001	16.1 - 29	26
UA7462001	1 - 18	2
UA7464000	16.1 - 18	26
UA7493000	16.1 - 23	26
UA7494000	16.1 - 25	26
UA7524001	13 - 2	22
UA7574021	16.1 - 1	26
UA7574022	16.1 - 1	26
UA7598001	2 - 1	2
UA7600021	8 - 1-5	10
UA7600022	8 - 1-5	10
UA7601021	8 - 1	10
UA7601022	8 - 1	10
UA7603001	8 - 23	10
UA7606001	8 - 25	10
UA7632001	8 - 21	10
UA7634001	5 - 1-18	6
UA7638011	13 - 1	22
UA7638021	13 - 1	22
UA7638022	13 - 1	22
UA7639031	9 - 1-79	12
UA7644001	1 - 4	2
UA7645001	5 - 4	6
UA7728000	5 - 18	6
UA8010001	8 - 11	10
UA8023001	8 - 24	10
UA8029001	12 - 5	22
UA8041001	13 - 10	22
UC0104000	11 - 5	18
UC0109000	11 - 7	18
UC0113000	11 - 81	19
UC0141000	11 - 8	18
UC0281000	11 - 16	18
UC1314000	10 - 7	16
UC1442001	5 - 5	6
UC1772000	9 - 24	12
UC1840000	10 - 35	16
UC2835000	9 - 6	12
U02082001	11 - 90	19
U02719001	1 - 11	2
U02720001	1 - 10-11	2
U05404001	8 - 20	10
	9 - 79	13
	10 - 37	16
	12 - 6	22
U05656001	2 - 10	2
U05982077	16.2 - 8	28
U06775001	1 - 16	2
U06776001	1 - 17	2

INDEX

CODE	REF.NO.	PAGE
U06824001	3 - 7	4
U06923001	10 - 34	16
	16.1 - 16	26
	16.1 - 28	26
U06923003	16.1 - 27	26
U06958001	3 - 10	4
U07620001	9 - 80	13
U08509001	1 - 5	2
U08575001	3 - 5	4
U08599001	16.1 - 6	26
U08740001	3 - 24	4
	4 - 2	4
	8 - 6	10
U09006000	16.1 - 7	26
	16.1 - 8	26
U09759001	5 - 20	6
	13 - 3	22
U10389000	9 - 35	12
	10 - 12	16
U10435000	10 - 15	16
U11231000	2 - 11	2
U11232001	2 - 12	2
U11244001	3 - 6	4
U11246001	3 - 7-9	4
U11247001	3 - 8	4
U11248001	3 - 12	4
U11251000	3 - 15	4
U11256001	3 - 19	4
U11312000	5 - 21	6
U11314001	5 - 16	6
U11350000	16.1 - 2	26
	16.1 - 3	26
U11356077	16.2 - 3	28
U11367077	16.2 - 11	28
U11383078	16.3 - 27	28
U11500001	3 - 20	4
U11776001	6 - 2	8
	13 - 5	22
U11777001	16.1 - 12	26
U12875078	16.2 - 6	28
U15058000	9 - 16	12
U15276000	9 - 72	13
U15635001	10 - 28	16
U16194000	11 - 80	18
U16537000	10 - 36	16
U16686000	9 - 70	12
U16735000	10 - 6	16
U16774000	9 - 14	12
U17118000	9 - 66	12
U17118001	9 - 67	12
U17118002	9 - 68	12
U17118004	9 - 69	12
U17119000	9 - 73	13
U17119001	9 - 74	13
U17119002	9 - 75	13
U17798000	10 - 3	16
U17807000	5 - 17	6
U17813000	10 - 35	16
U17826000	9 - 12	12
U18072000	10 - 14	16
U18073000	10 - 11	16
U18078000	10 - 29	16
U18265000	9 - 2	12
U18267000	10 - 18	16
U25516001	5 - 12	6
U32795001	10 - 8	16
U34923000	9 - 15	12

CODE	REF.NO.	PAGE
U43385000	9 - 65	12
U50429077	16.3 - 2	28
U50431077	16.3 - 14	28
U51317077	16.3 - 1	28
U51457001	16.1 - 10	26
	16.1 - 11	26
	16.1 - 13	26
U61191000	15 - 2	24
U61790000	15 - 6	24
U62052001	15 - 7	24
U62053001	15 - 8	24
U62159001	15 - 3	24
U62160001	15 - 4	24
U62166022	15 - 1	24
U62233022	15 - 1	24
U75115078	16.2 - 1	28
U78005078	16.2 - 9	28
U78009078	16.2 - 15	28
U78048001	8 - 3	10
U78091078	16.2 - 7	28
U78141001	8 - 8	10
U78170000	9 - 4	12
U78209000	9 - 18	12
U78233000	9 - 1	12
U78267000	9 - 25	12
U78326000	11 - 10	18
U78328000	11 - 3	18
U78330000	11 - 4	18
U78350000	11 - 67	18
U78351000	11 - 66	18
U78352000	11 - 63	18
U78353000	11 - 65	18
U78354000	11 - 71	18
U78355000	11 - 74	18
U78356000	11 - 77	18
U78357000	11 - 78	18
U78365000	11 - 79	18
U78366000	11 - 14	18
U78367000	11 - 13	18
U78369000	11 - 11	18
U78383000	11 - 38	18
U78384000	11 - 39	18
U78388000	11 - 2	18
U78389000	11 - 1	18
U78391000	11 - 28	18
U78392000	11 - 40	18
U78397000	11 - 68	18
U78398000	11 - 62	18
U78547000	11 - 9	18
U82016001	1 - 3	2
U85273000	10 - 1	16
W01243001	8 - 5	10
Y01009411	10 - 24	16
Y01500512	9 - 53	12
Y01801711	11 - 70	18
Y02209513	9 - 56	12
Y03307633	9 - 55	12
Y04720513	9 - 54	12
Y06800510	11 - 69	18
Y13002001	9 - 28	12
Y13912000	11 - 15	18
Y16802001	9 - 30	12
Y21010001	10 - 13	16
Y21020001	9 - 31	12
Y21032401	9 - 32	12
Y21042421	9 - 33	12
Y21531121	9 - 34	12

INDEX

CODE	REF.NO.	PAGE
Y21810001	9 - 29	12
Y41002001	11 - 19	18
Y41002002	10 - 17	16
Y41005602	10 - 20	16
Y41006001	11 - 26	18
Y41011601	10 - 16	16
Y41011602	9 - 39	12
Y41012602	9 - 38	12
Y41016001	11 - 27	18
Y41021001	11 - 18	18
Y41022001	11 - 23	18
Y42212001	11 - 20	18
Y42222001	10 - 19	16
	11 - 24	18
Y42285602	9 - 36	12
Y43300001	11 - 17	18
Y43312001	11 - 21	18
Y44712001	11 - 22	18
Y44715501	9 - 37	12
Y44793001	11 - 25	18
Y51020000	11 - 29	18
Y51030000	11 - 30	18
Y51530000	11 - 31	18
Y51830000	11 - 32	18
Y52230000	11 - 33	18
Y53330000	11 - 34	18
Y61024662	9 - 61	12
Y61025662	9 - 62	12
Y61048041	9 - 59	12
Y62215662	9 - 60	12
Y62228662	9 - 63	12
Y64724041	9 - 57	12
Y64725041	9 - 58	12
Z24385001	6 - 3	8
Z24393001	6 - 1	8
021350106	3 - 11	4
048020346	1 - 12	2
048030346	1 - 21	2
	3 - 9	4
048040346	2 - 3	2
	2 - 6	2
062260406	6 - 4	8
062300506	1 - 23	2
	2 - 26	2
	3 - 14	4
	3 - 16	4
	3 - 34	4
	10 - 38	16
062350605	5 - 22	6
071050040	16.1 - 20	26
090101120	9 - 41	12
	11 - 46	18
090102120	9 - 44	12
090103120	9 - 49	12
	11 - 54	18
090104120	9 - 51	12
090122620	11 - 42	18
090144120	11 - 60	18
090152120	9 - 45	12
090153120	10 - 25	16
	11 - 55	18
090183120	11 - 56	18
090202120	11 - 48	18
090221120	9 - 42	12
	11 - 47	18
090222120	9 - 46	12
090224120	9 - 52	12

CODE	REF.NO.	PAGE
090242120	11 - 49	18
090273120	11 - 57	18
090302120	9 - 47	12
090332120	10 - 26	16
	11 - 50	18
090333120	11 - 58	18
090470120	9 - 40	12
	11 - 44	18
090471120	9 - 43	12
090472120	9 - 48	12
	11 - 51	18
090473120	9 - 50	12
090474120	11 - 61	18
090479120	11 - 43	18
090561110	10 - 23	16
090562120	11 - 52	18
090682120	11 - 53	18
090683120	11 - 59	18
090751110	10 - 22	16
090820120	11 - 45	18
091100004	9 - 8	12
091100157	9 - 9	12
132613001	9 - 27	12
136345001	10 - 2	16
236441001	9 - 17	12
502673001	3 - 31	4
	11 - 91	19
519475002	3 - 30	4
525745001	2 - 7	2
529545001	11 - 86	19
	11 - 87	19
535151001	11 - 83	19
539211001	16.1 - 4	26
	16.1 - 5	26
542302001	1 - 10	2
571672001	5 - 3	6
571852001	12 - 3	22
575039001	1 - 14	2
575851000	9 - 13	12
583241077	16.3 - 5	28
583244077	16.3 - 8	28
583246077	16.3 - 10	28
583247077	16.3 - 11	28
583249077	16.3 - 13	28
583259077	16.3 - 16	28
583260077	16.3 - 17	28
583275077	16.3 - 28	28
583290077	16.3 - 39	28
583292077	16.3 - 41	28
583293077	16.3 - 42	28
583306077	16.3 - 3	28
583307077	16.3 - 4	28
583308077	16.3 - 6	28
583309077	16.3 - 7	28
583310077	16.3 - 9	28
583311077	16.3 - 12	28
583313078	16.3 - 15	28
583314078	16.3 - 19	28
583315078	16.3 - 20	28
583316077	16.3 - 24	28
583317077	16.3 - 25	28
583321077	16.3 - 35	28
583322077	16.3 - 36	28
583328078	16.3 - 37	28
583329078	16.3 - 38	28
583330078	16.3 - 40	28
583331077	16.3 - 44	28

INDEX

CODE	REF.NO.	PAGE
583332077	16.3 - 45	28
583333077	16.3 - 46	28
592312061	14 - 1	24

brother[®]