

brother®

INK JET WORD PROCESSOR

Parts List

Model: WP-7700CJ

MECHANISM & ELECTRONICS

PARTS LIST

HOW TO USE THIS MANUAL

1. This parts list manual is a reference for ordering replacement parts for the applicable Brother product. It contains a detailed list of parts information, including:

- Part Number (Code)
- Quantity (per component/assembly/unit)
- Description (part name)
- Revision No. (for printed circuit boards)
- Reference Numbers in each parts list refer to illustration item numbers.

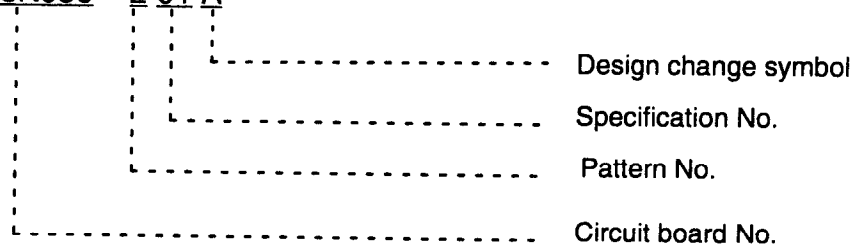
NOTE: All orders must include the correct Part(s) Number(s) (or Tool No.).

(1) (2) (3)

REF.NO.	CODE	QTY	DESCRIPTION	REMARKS

(4) Revision No. (marked on a printed circuit board):

B48K056 - 2 01 A



2. Design-changed parts:

When parts have been redesigned (from the original model), one of the following symbols appears in the REMARKS column:

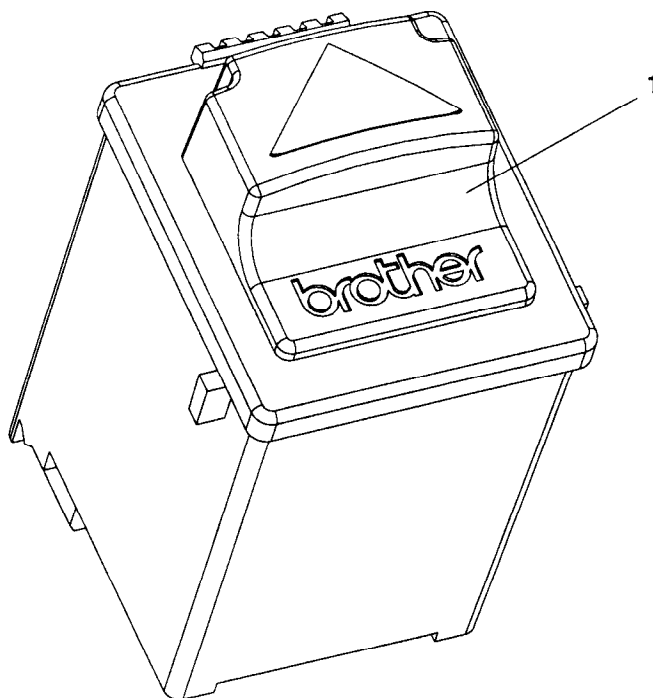
- #A – compatible between old & new
- #B – replaceable from old to new
- #D – incompatible
- # – new part (not existing in original model)

3. Parts are subject to change without prior notice.

CONTENTS

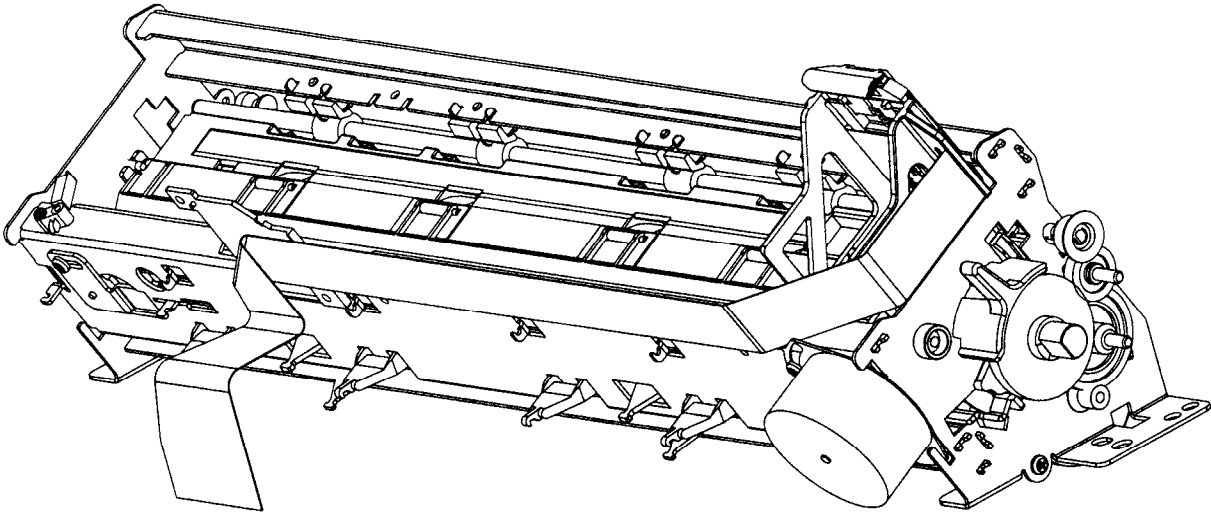
1.	PRINT HEAD ASSEMBLY (53T22299999017)	2
2.	CHASSIS ATTACHMENTS (53T22299999033)	3
3.	COVERS (53T22299999061)	7
4.	DETECTOR SWITCHES (53T22299999100)	9
5.	AC ADAPTER (53T22299999101)	10
6.	MAIN PCB (53T22299999102)	11
7.	POWER SUPPLY PCB (53T22299999104)	14
8.	DISPLAY (53T22299999300)	15
9.	FLOPPY DISK DRIVE (53T22299999302)	17
10.	KB UNIT 02 (53T22299999402)	18
11.	PRINTED MATERIAL (53T22299999920)	19
12.	PACKING MATERIAL (53T22299999930)	20

1. HEAD (Functional Code 53T22299999017)

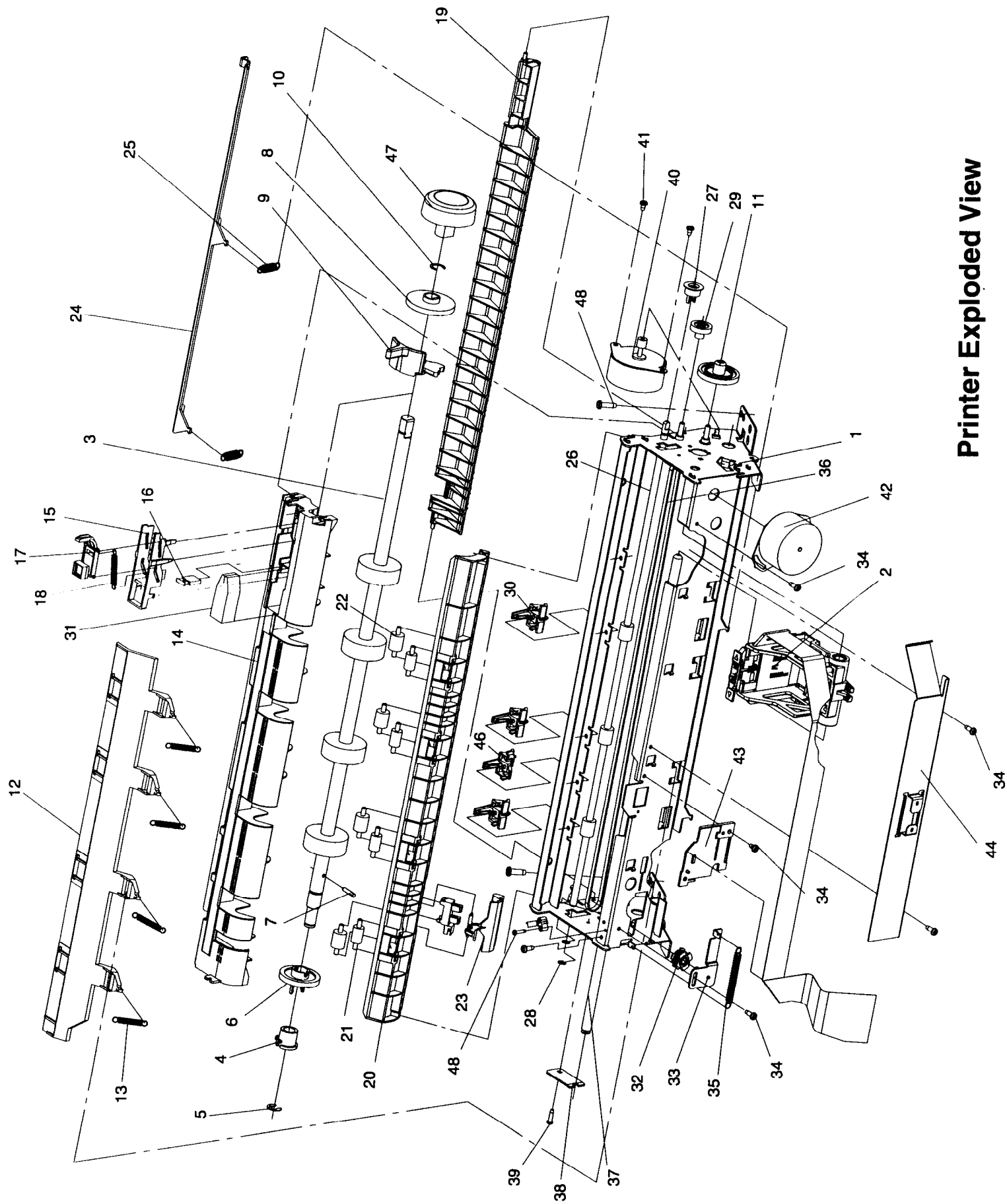


REF. NO.	CODE	QTY	DESCRIPTION	REMARKS
1	US0451001	1	Printing Head Assy, Mono	
1	US0455001	1	Printing Head Assy, Color	

2. CHASSIS (Functional Code 53T2229999033)



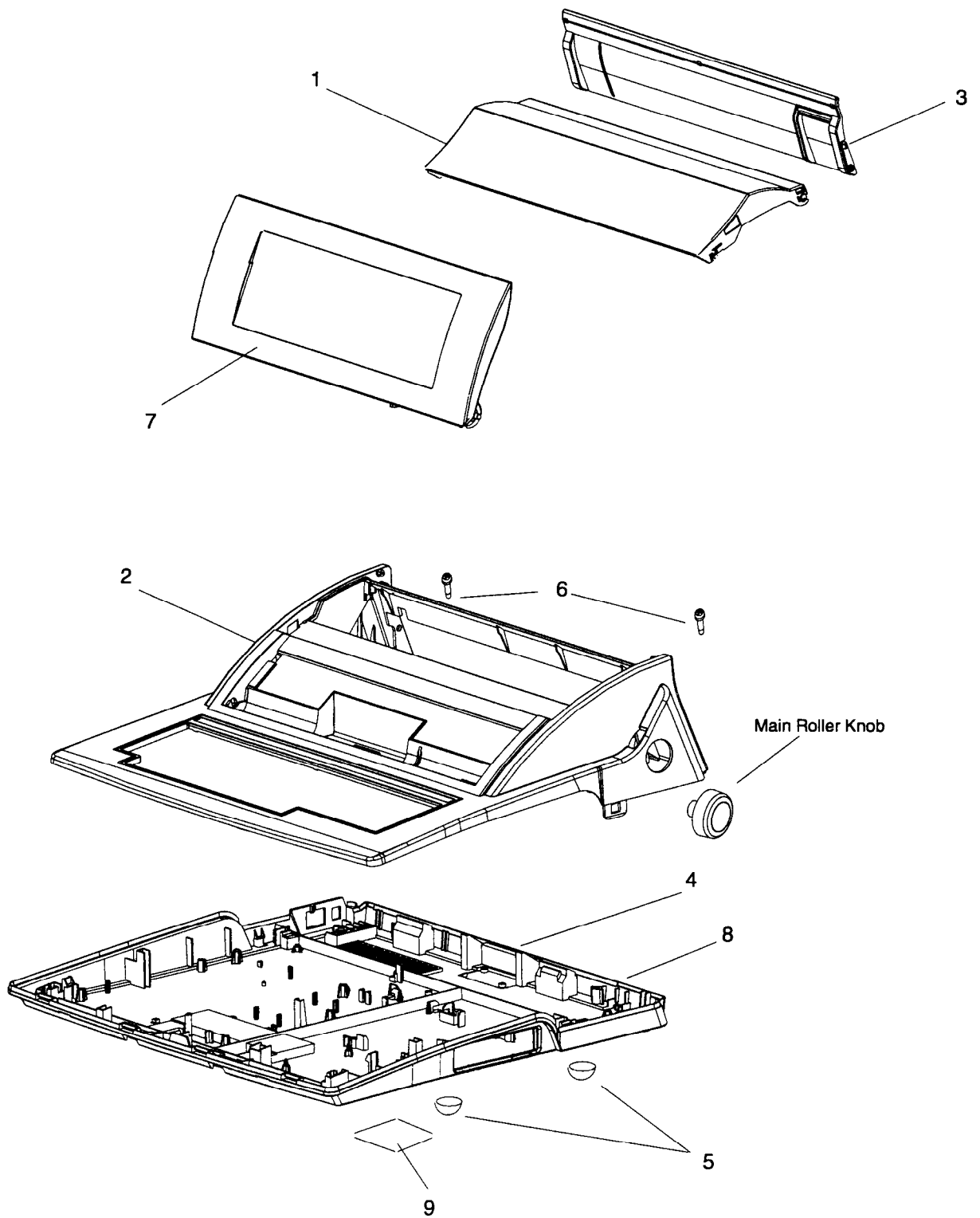
REF. NO.	CODE	QTY	DESCRIPTION	REMARKS
1	US0502001	1	Print Frame Assy	
2	US0518001	1	Carriage Assy	
2	US1153001	1	Carriage Assy, LX	
3	US0458001	1	Main Roller Assy	
4	US0460001	1	Main Roller Bearing	
5	048060346	1	Retaining Ring, E6	
6	US0574000	1	CF Drive Gear	
7	US0498001	1	Pin 2.5x14	
8	US0462000	1	Main Roller Gear	
9	US0463021	1	Release Adjustment Lever	
10	US0461001	1	C Ring, C37	
11	US0469000	1	Idle Gear 1	
12	US0470001	1	Top Paper Guide Assy	
13	US0473001	4	Spring, Extension 4.0x16.36	
14	US0474001	1	Main Paper Guide	
15	US0476001	1	MS Cover	
16	US1701001	1	MS Wiper	
17	US0478001	1	MS Carriage Assy	
18	US0483001	1	Spring, Extension 3.8x14.56	
19	US0484001	1	Paper Separator	
20	US0485001	1	Main Paper Pan	
21	US0486001	4	Pinch Roller Middle Assy	
22	US0488001	4	Pinch Roller Bottom Assy	
23	US0490000	1	Paper End Sensor Lever	
24	US0491000	1	Paper Pan Pressure Plate	
25	US0492001	2	Spring, Extension 5.7x17.16	
26	US0493001	1	Star Wheel Roller Assy	
27	US0495000	1	Star Roller Gear	
28	048030346	2	Retaining Ring, E3	
29	US0496000	1	Idle Gear 2	
30	US0497001	3	Star Wheel Assy	
31	US0501001	1	Felt 1	
32	US0511000	1	Idle Pulley	
33	US0512001	1	Idle Pulley Bracket Assy	
34	US0468001	2	Tapping Screw, Pan S M3x6	
35	US0515001	1	Spring, Extension 4.75x35.30	
36	US0516001	1	Timing Belt	
37	US0517001	1	Main Shaft	
38	US0727000	1	Main Shaft Stopper	
39	083281015	1	Tapping Screw, Pan S M2.6x10	
40	US0523001	1	Paper Feed Motor	
41	062300506	2	Screw, Pan M3X5	
42	US0526001	1	Carriage Motor	
43	US0728000	1	Flat Cable Holder	
44	US0524000	1	Cable Wall	
45	U11330001	2	Taptite, Pan S M3x6	
46	US1066001	1	ACF Star Wheel Holder Assy	
47	US0464020	1	Main Roller Knob, White 1250	
47	US0464022	1	Main Roller Knob, Gray 1252	
48	087320815	1	Tapping Screw, Cup S MSx8	



Printer Exploded View

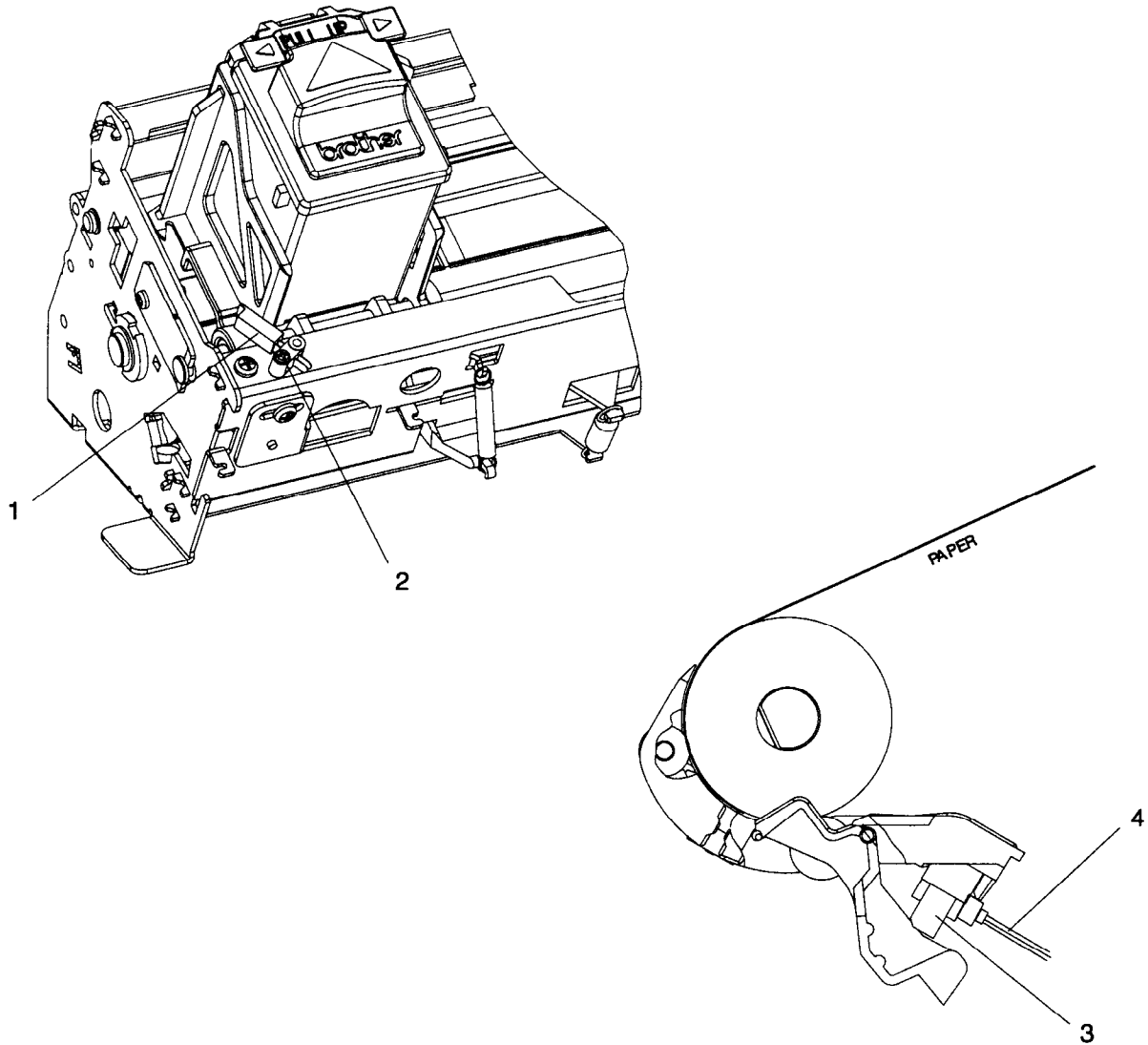
PARTS LIST

3. COVER (Functional Code 53T22299999061)



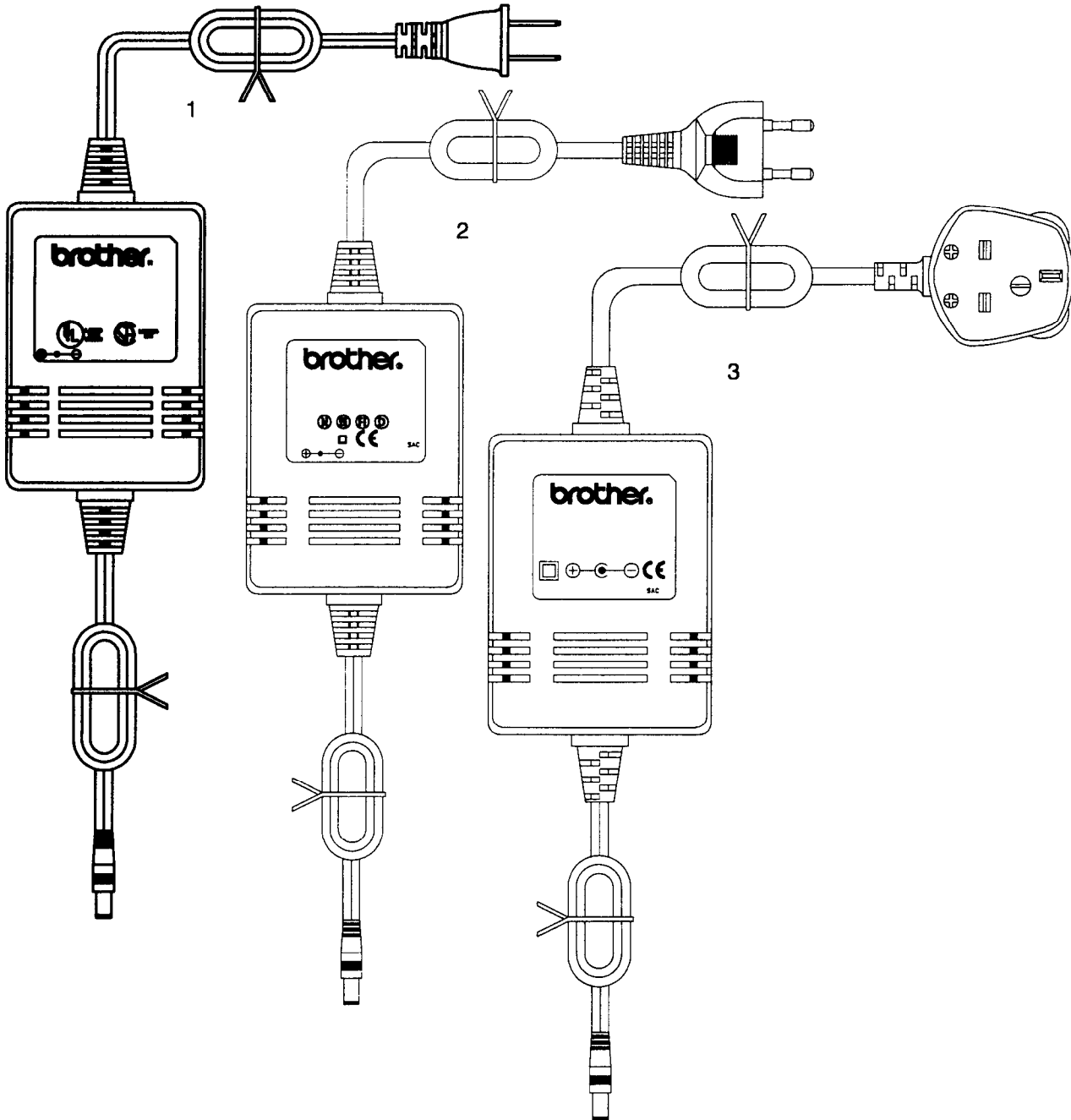
REF. NO.	CODE	QTY	DESCRIPTION	REMARKS
1	US0405001	1	Top Cover	
1	US0886001	1	Top Cover	
2	US0406022	1	Upper Cover, Gray 1252	
3	US1085022	1	Paper Supporter, No Brand 1252	
3	US0407022	1	Paper Supporter, Gray 1252	
4	US0418022	1	Bottom Cover, Gray 1252	
4	US0812022	1	Bottom Cover, Gray 1252	
5	U41192001	2	Felt Foot	
6	085411615	2	Taptite, Bind B M4X16	
7	US1865022	1	LCD Cover WP-7700CJ, Gray 1252	
8	US1867001	1	Demo Label, WP-7700CJ	
9	US1869001	1	Rating Label, WP-7700CJ	

4. DETECTOR (Functional Code 53T22299999100)



REF. NO.	CODE	QTY	DESCRIPTION	REMARKS
1	US1786001	1	Home Position Switch Harness	
2	087221015	1	Tapping Screw, Cup S M2X10	
3	US0528001	1	Paper End Optical Sensor	
4	US0529001	1	Paper End Sensor Harness Assy	

5. AC ADAPTER (Functional Code 53T22299999101)



REF. NO.	CODE	QTY	DESCRIPTION	REMARKS
1	US0531001	1	AC Adapter Unit, 120V	
1	US1880001	1	AC Adapter VA, 120V	
2	US0533001	1	AC Adapter Unit, 230V	
2	US0534001	1	AC Adapter Unit, 230V BS	
3	US1044001	1	AC Adapter Unit, 240V SAA	

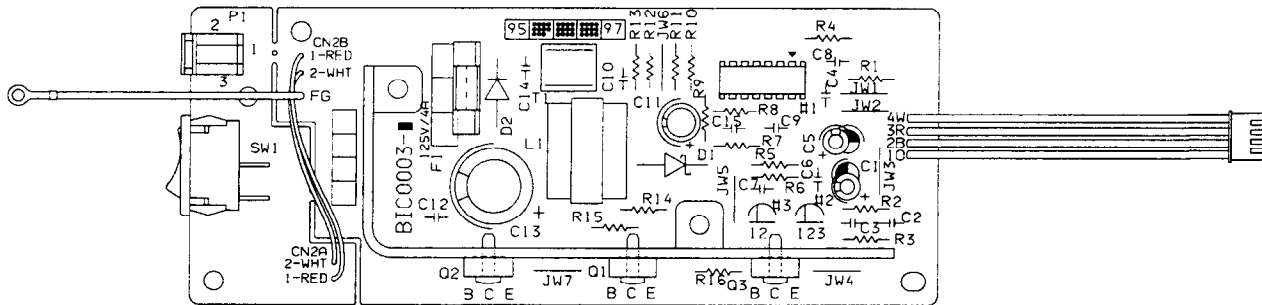
REF. NO.	CODE	QTY	DESCRIPTION
Bare PCB	US1846000	1	PCB BIC0007
#19	UC3652000	1	MPU: HD6413003F
#16	US1912000	1	Mask ROM: 32M-12,N3C-1
#10,#11,#12	US1882085	3	PSRAM: TC518129AFW-80
#13	US0784085	1	PSRAM: TC51832AF-85
#17	US0343001	1	GA: UPD65626GF-242-3BA
#1	US1537000	1	GA: MSM10S0210
#4	US1484000	1	Super I/O: 3221-SP
#5	US1290085	1	RS IC: ADM211AR
#22	091170145	1	IC: 74LS145F
#3	091580139	1	IC: 74ALS139 SOL
#7	US0783085	1	IC: 74LS14 SOP
#21	091180008	1	IC: 74LS08 SOL
#2	093760004	1	IC: 74HCU04 SOL
#8,#9	US0606085	2	IC: A5817SEP
Q1	US1552085	1	Transistor: 2SA1797Q-T101
Q4,Q5,Q6,Q7,Q8,Q9,Q10,Q11	US2168085	8	TR: 2SD2170-T101
Q2,Q3,Q14,Q15	US0608085	4	TR: 2SC2412KLNRS-T146
Q17	US0656085	1	TR: DTC143-ZKA-T146
D5	US0612085	1	Diode: RLS71-TE-11
D6	US1553085	1	Diode: RB160L-40-TE-25
ZD1	US0745085	1	Zener Diode: RLZ18C-TE-11
ZD8	US1546085	1	Zener Diode: RLZJ3.9B-TE-11
XT1	UJ0735085	1	Ceramic Oscillator: CSA20MXZ04
XT6	UC3676085	1	Ceramic Oscillator: CSA20.492M
XT4	UC6261085	1	Ceramic Oscillator: CSA19.66MHZ
XT3	US1481085	1	Ceramic Oscillator: CSA24.00M
BZ1	132613001	1	Buzzer: PKM24
R31,R126,R127,R128,R140,R141,R142,R147,R158	094000025	9	Fixed Resistor, G-C116J000
R1	Y04700513	1	Fixed Resistor, G-A1YJ471
R4,R5	094471025	2	Fixed Resistor, G-C116J471
R33,R34,R35,R36	Y02209603	4	Fixed Resistor, G-A2YG220-1
R24,R78,R83,R84,R85,R88,R91,R94,R96,R105,R106,R108,R116,R117,R119	094101025	15	Fixed Resistor, G-C116J101
R156	094331025	1	Fixed Resistor, G-C116J331
R22,R23,R48,R71,R72,R73,R74,R75,R157	094102025	9	Fixed Resistor, G-C116J102
R38	094122025	1	Fixed Resistor, G-C116J122
R3,R6,R7,R8,R9,R10,R11,R12,R13,R14,R15,R16,R17,R37,R58,R60	094222025	16	Fixed Resistor, G-C116J222
R19,R20,R21,R43,R44,R45,R46,R47,R49,R55,R56,R57,R59,R61,R62,R122,R123,R155	094103025	18	Fixed Resistor, G-C116J103
R18,R40,R41	094105025	3	Fixed Resistor, G-C116J105
RA10,RA11,RA12,RA13,RA14,RA15,RA16,RA17	UC7736085	8	Resistor Array, 101X4C
RA5,RA6,RA7,RA8,RA18	UK2491085	5	Resistor Array, 102X4C
RA3,RA4	UK2493085	2	Resistor Array, 103X4C

PARTS LIST

WORD PROCESSOR
WP-7700CJ

REF. NO.	CODE	QTY	DESCRIPTION
RA1,RA2	US0618085	2	Resistor Array, 104X4C
C5,C6,C7,C8,C9,C11,C12,C13,C14,C15,C16,C17,C18,C19,C20,C21,C22,C23,C24,C25,C26,C27,C28,C29,C34,C35,C37,C38,C56,C57,C58,C59,C60	Y81042407	33	Capacitor, Ceramic 25C104
C10,C30,C31,C32,C33	Y81020017	5	Capacitor, Ceramic 50C102CH
C41,C42,C43,C44	Y72212117	4	Capacitor, Ceramic 50C221CH
C3,C4,C45,C46	Y71012117	4	Capacitor, Ceramic 50C101CH
C1,C2	Y71502117	2	Capacitor, Ceramic 50C150CH
C47,C48,C49,C50	Y71004117	4	Capacitor, Ceramic 50C100CH
C36,C39	Y75095117	2	Capacitor, Ceramic 50C050CH
C51	Y44714921	1	Capacitor, Alum-Elec 35B471SMG
C53,C55	Y42202907	2	Capacitor, Alum-Elec 16B220SME
L3,L4,L5	U36945085	3	Ferrite Bead: BLM32A06
L6	US0826085	1	Filter: NFM51R00P206
CN7	US0206000	1	Connector, 34 Pin
CN6	US1806001	1	FDD Power Harness Assy-2
CN23	UA3044000	1	Connector: 5229-17CPB
CN19	US2098000	1	Connector: DR-E9S-NJ-000
CN16	UK1437000	1	Connector: 175487-3
CN18	U17118000	1	Connector: B2B-PH
CN6	U04254000	1	Connector: B2B-XH-A
CN2,CN17	U17119000	2	Connector: B6B-PH
CN1	U15643000	1	Connector: B4B-XH
CN10,CN11	US0631000	2	Connector: 52045-3010
CN20	US2099000	1	Connector: DR-E9P-NJ-000
FOR CN19 & CN20	US0726000	2	Ground Plate

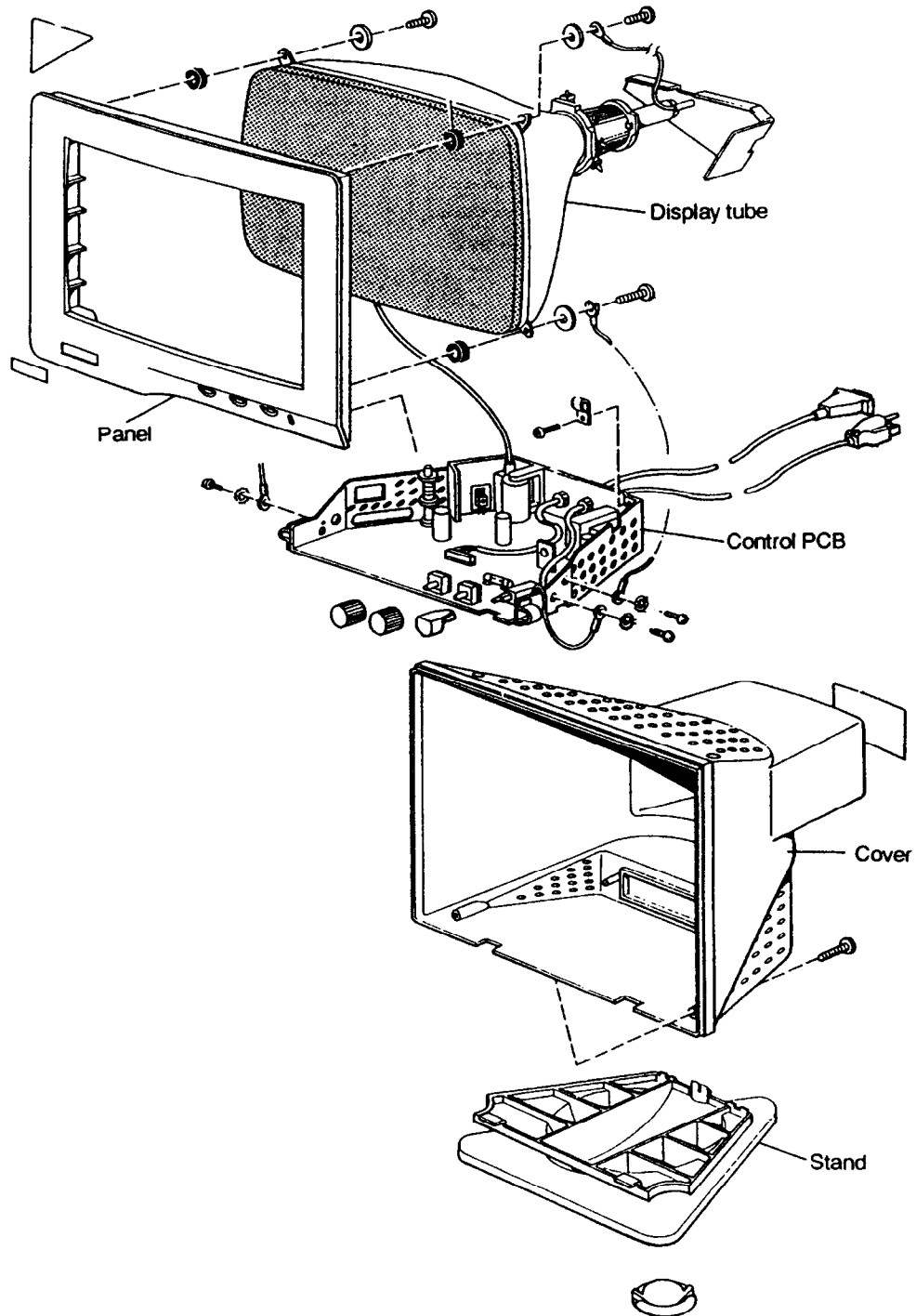
7. POWER SUPPLY PCB (Functional Code 53T2229999104)



SYMBOL	CODE	QTY	DESCRIPTION
	US0582000	1	PCB BIC0003
	US1881002	1	Power Supply Assy W/O BL
#1	US0583000	1	IC:CA3524
#3	U17799000	1	IC:M5237L
D1	US0584000	1	Diode, Schottky SB350
D2	US0782000	1	Diode, 1N5400
Q1	US1940000	1	Transistor, 2SB1185EF
Q2	US0785000	1	Transistor, 2SC4150
T1	UC7738000	1	Coil: BM1012LF
L1	UC1314000	1	Choke Coil: 140UH-3A
C7,9,15	Y21022405	3	Capacitor, Ceramic 50B102
C4,6,8,12,14	U10435085	5	Capacitor, Ceramic 50B104-249
C10	U10389085	1	Capacitor, Ceramic 25B104
C13	Y42223092	1	Capacitor, Alumi-elec 25B222
C5	Y44702097	1	Capacitor, Alumi-elec 16B470
C11	Y44714092	1	Capacitor, Alumi-elec 35B471
R14	090221125	1	Fixed Resistor, D-A14YJ221R25T
R13	090131125	1	Fixed Resistor, D-A14YJ131R25T
R12	090331125	1	Fixed Resistor, D-A14YJ331R25T
R7	090682125	1	Fixed Resistor, D-A14YJ682R25T
R4	090222125	1	Fixed Resistor, D-A14YJ222R25T
R8	Y01270375	1	Fixed Resistor, G-A14YF1270
R5	Y05490375	1	Fixed Resistor, G-A14YF5490
R9	Y01101375	1	Fixed Resistor, G-A14YF1101
R6	Y01621375	1	Fixed Resistor, G-A14YF1621
R10,11	Y01691375	2	Fixed Resistor, G-A14YF1691
CN1	US0585001	1	Power Supply Harness Assy
P1	US0590000	1	Connector: DJ005AT
	U04230001	4	Contact: SXH001TP06
FG	US0587001	1	FG Harness Assy
F1	US1221000	1	Glass Fuse, 4A
	US0589000	2	Fuse Clip: HTC-200M
	Y06917000	1	Connector: XHP-4
SW1	U17200000	1	Power Switch: WK-837
	US0591000	1	Heat Sink
	U05404001	4	Taptite, Bind B M3X8
	US0749001	1	Jumper Wire
	US0749002	1	Jumper Wire

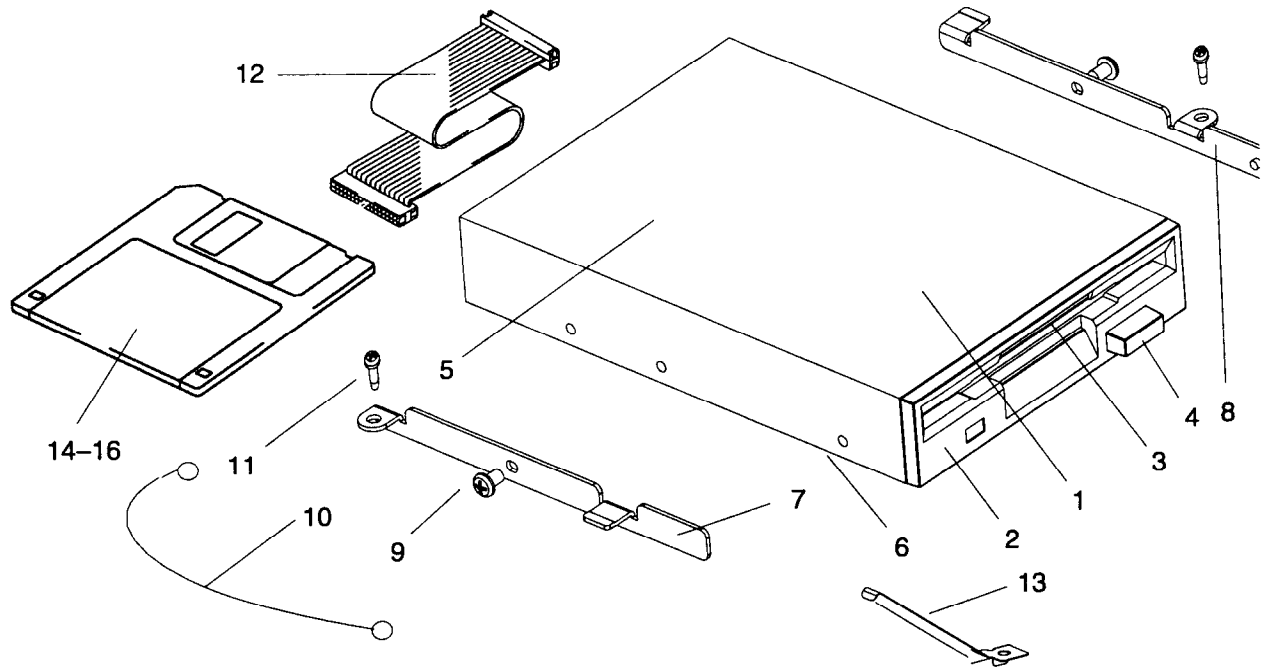
8. DISPLAY (Functional Code 53T2229999300)

Model CT 1450



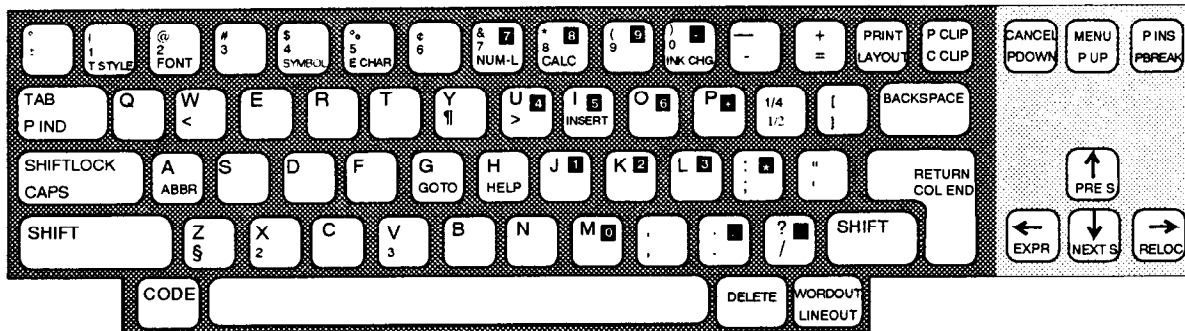
REF. NO.	CODE	QTY	DESCRIPTION	REMARKS
1-26	UC4475001	1	CRT CT-1450 Unit	
1-26	UC5816001	1	CRT CT-1450 Unit	
1-26	US0882001	1	CRT CT-1450 Unit, 220-240V	
1-26	US0984001	1	CRT CT-1450 Unit	
1-11	UC4480001	1	PCB Assy CT-1450	
1	UA8906001	1	Source Cord	
2	UA8907001	1	Clamp 5N-4	
3	UA8908001	1	Cable Clip	
4	UA8909001	1	Screw TPB 3X8	
5	UA8910001	1	AC Cord 1.8M	
5	UH1054001	1	AC Cord, BS	
5	UH1052001	1	AC Cord, VDE	
6	UA8911001	1	Clamp 6R-4	
7	UA8912001	3	Washer CV-1028	
8	UA8913001	3	Screw TP 3.5X8	
9	UA8914001	1	Power Knob	
10	UA8915021	2	VR Knob	
11	UA8916001	1	Fuse 2A 250V	
12	UC4485020	1	Front Cover Assy 1450	
13	UC4486001	1	CRT Assy CT-1450	
14	UA8919001	4	Rubber Washer	
15	UA8920001	4	Washer 10X18X1T	
16	UA8921001	4	TPP-5X20	
17	UC4481001	1	Logo PLT	
18	UA8923021	1	Back Cover	
19	UC4483001	1	Mod PLT Brother	
20	UA8925001	1	Product Label	
20	UA9165001	1	Product Label	
20	UA9165001	1	Product Label	
21	UA8926001	4	Screw TP 4X20	
22-23	UA8927021	1	Swivel Assy	
22	UA8928001	1	PE Bag 18X30	
23	UA8929021	3	Rubber Foot	
24	UA8930001	1	PE Bag CT-1400	
25	UA8931001	1	Polyform SM1440	
26	UC4484001	1	Carton CT-1450	
26	UC5817001	1	Carton CT-1450	
26	UC5817001	1	Carton CT-1450	

9. FLOPPY DISK DRIVE (Functional Code 53T22299999302)



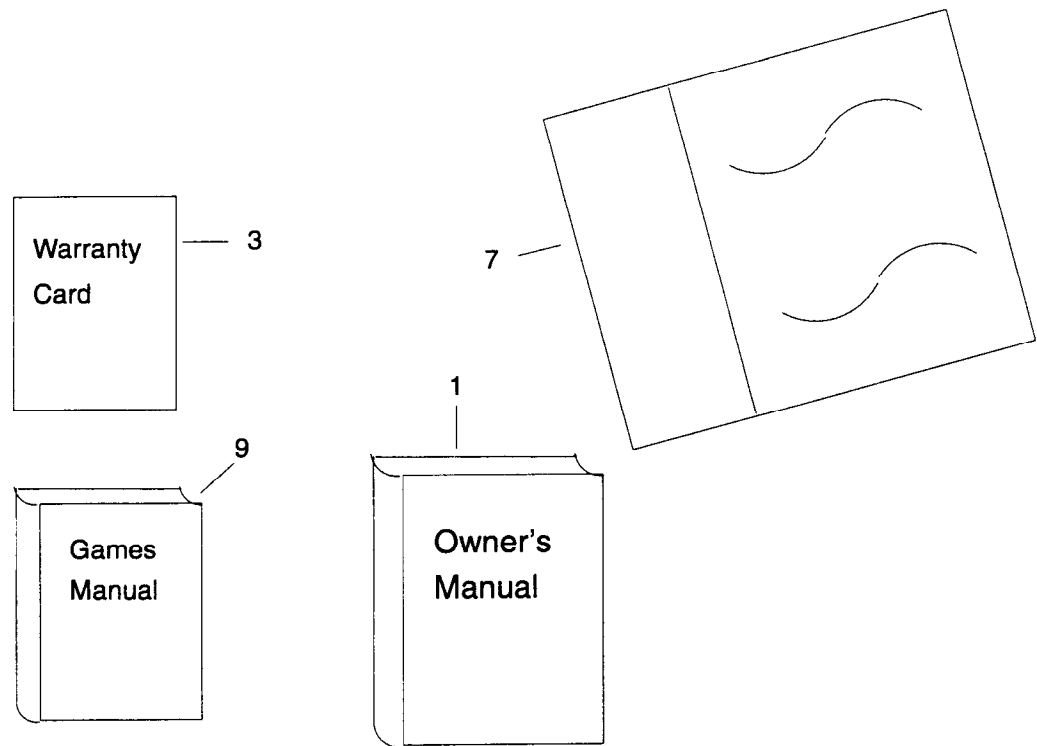
REF. NO.	CODE	QTY	DESCRIPTION	REMARKS
1	US1068022	1	FDD MI2HD Std N13, Gray 1252	
2	US1138022	1	Front Bezel MIT5	
3	US1139022	1	Shutter MIT5	
4	US1140022	1	Eject Button MIT5	
5	US1141000	1	Top Shield Case	
6	US1142000	1	Bottom Shield Case	
7	UA8707000	1	Installation Plate L	
8	UA8708000	1	Installation Plate R	
9	062300506	2	Screw, Pan M3X5	
10	US1061001	1	FDD Ground Strap (160MM)	
11	U05404001	2	Taptite, Bind B M3X8	
12	US0392001	1	FDD Harness Assy	
13	US1122000	2	Plate N-1	
14	US2021001	1	Disk 37 USA Diskette1, Tutor, Templates, Games	
15	US2022001	1	Disk 38 USA Diskette 2, B/W Art, Frame Print	
16	US2023001	1	Disk 39 USA Diskette 3, Conversion, Color Art	

10. US Keyboard (Functional Code 53T22099999402)



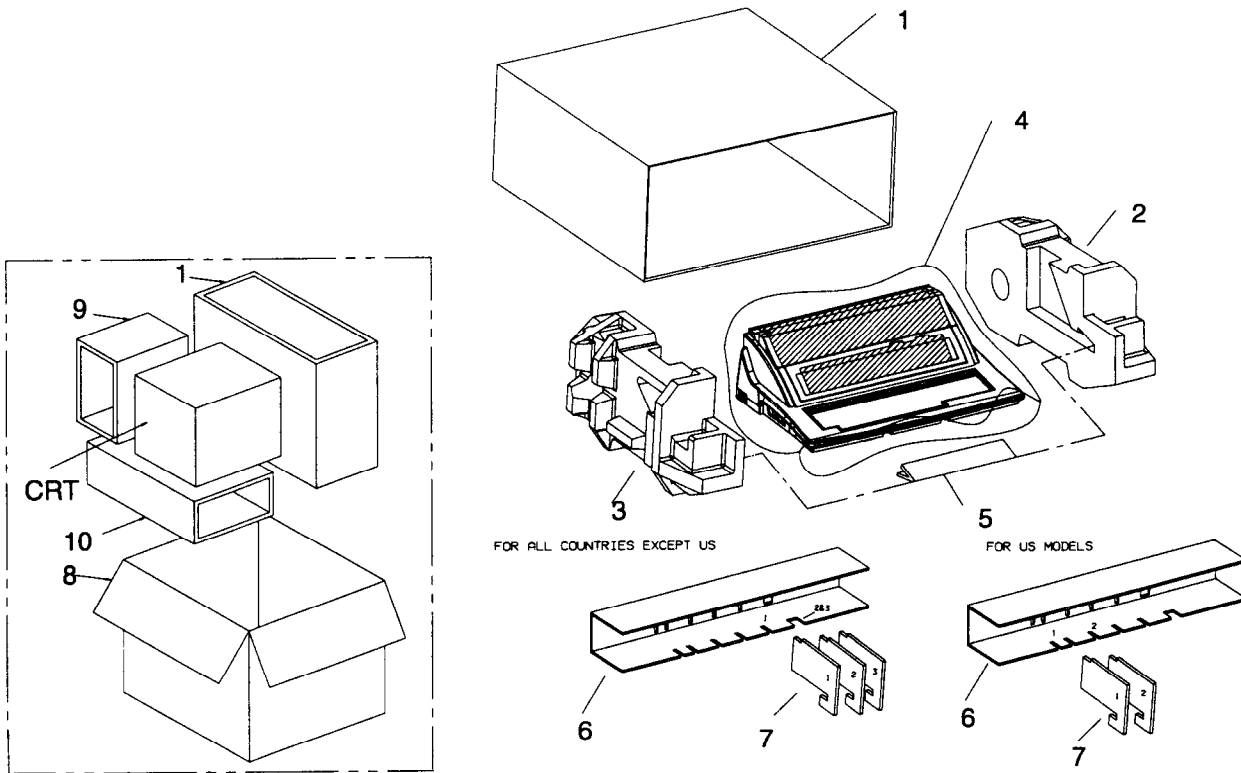
REF. NO.	CODE	QTY	DESCRIPTION	REMARKS
1	US1871001	1	KB Unit 02	

11. PRINTING (Functional Code 53T22299999920)



REF. NO.	CODE	QTY	DESCRIPTION	REMARKS
1	US1873001	1	Owner's Manual, USA English	
2	US1700001	1	Accessory Order Form	
3	595110080	1	Warranty Card, English	
3	US0330181	1	Warranty Card, Can. English	
3	593685787	1	Warranty Card, German	
3	US1164001	1	Warranty Card, UK	
4	US0329001	1	Authorized Service Depots	
5	UC6435001	1	Warranty Information	
6	US1179001	1	Compuserve Starter Kit	
7	US0739001	1	Perforated Bag	
7	UA7282001	1	Perforated Bag	
7	US1727001	1	Perforated Bag, EC 230X310	
8	US1567001	1	Refill Flyer	
9	US2054001	1	User's Guide for Games	

12. PACKAGING (Functional Code 53T22299999930)



REF. NO.	CODE	QTY	DESCRIPTION	REMARKS
1	US0440021	1	Carton Tube	
2	US0436000	1	Styrofoam Pad A	
3	US0437000	1	Styrofoam Pad B	
4	UA7284001	1	Perforated Bag	
4	US1726001	1	Perforated Bag, EC 660X800	
5	US0327001	1	Space Bar Pad	
6	US0924001	1	Tube Holder	
7	US0925001	3	Tube Stopper	
8	US0441021	1	Master Carton, No Brand	
8	US1875022	1	Master Carton Assy, WP-7700CJ	
9	US0443001	1	Pad A	
10	US0444001	1	Pad B	

INDEX

CODE	REF. NO.	PG
048030346	28	4
048060346	5	4
062300506	41	4
	9	17
083281015	39	4
085411615	6	8
087221015	2	9
087320815	48	4
090131125	R13	14
090221125	R14	14
090222125	R4	14
090331125	R12	14
090682125	R7	14
091170145	#22	12
091180008	#21	12
091580139	#3	12
093760004	#2	12
094000025	R31,R126,R127, R128,R140,R141, R142,R147,R158	12
094101025	R24,R78,R83, R84,R85,R88, R91,R94,R96, R105,R106,R108, R116,R117,R119	12
094102025	R22,R23,R48, R71,R72,R73, R74,R75,R157	12
094103025	R19,R20,R21, R43,R44,R45, R46,R47,R49, R55,R56,R57, R59,R61,R62, R122,R123,R155	12
094105025	R18,R40,R41	12
094122025	R38	12
094222025	R3,R6,R7,R8,R9, R10,R11,R12, R13,R14,R15, R16,R17,R37, R58,R60	12

CODE	REF. NO.	PG
094331025	R156	12
094471025	R4,R5	12
132613001	BZ1	12
593685787	3	19
595110080	3	19
U04230001		14
U04254000	CN6	13
U05404001		14
	11	17
U10389085	C10	14
U10435085	C4,6,8,12,14	14
U11330001	45	4
U15643000	CN1	13
U17118000	CN18	13
U17119000	CN2,CN17	13
U17200000	SW1	14
U17799000	#3	14
U36945085	L3,L4,L5	13
U41192001	5	8
UA3044000	CN23	13
UA7282001	7	19
UA7284001	4	20
UA8707000	7	17
UA8708000	8	17
UA8906001	1	16
UA8907001	2	16
UA8908001	3	16
UA8909001	4	16
UA8910001	5	16
UA8911001	6	16
UA8912001	7	16
UA8913001	8	16
UA8914001	9	16
UA8915021	10	16
UA8916001	11	16

CODE	REF. NO.	PG
UA8919001	14	16
UA8920001	15	16
UA8921001	16	16
UA8923021	18	16
UA8925001	20	16
UA8926001	21	16
UA8927021	22-23	16
UA8928001	22	16
UA8929021	23	16
UA8930001	24	16
UA8931001	25	16
UA9165001	20	16
UC1314000	L1	14
UC3652000	#19	12
UC3676085	XT6	12
UC4475001	1-26	16
UC4480001	1-11	16
UC4481001	17	16
UC4483001	19	16
UC4484001	26	16
UC4485020	12	16
UC4486001	13	16
UC5816001	1-26	16
UC5817001	26	16
UC6261085	XT4	12
UC6435001	5	19
UC7736085	RA10,RA11, RA12,RA13, RA14,RA15, RA16,RA17	12
UC7738000	T1	14
UH1052001	5	16
UH1054001	5	16
UJ0735085	Xt1	12
UK1437000	CN16	13
UK2491085	RA5,RA6,RA7, RA8,RA18	12
UK2493085	RA3,RA4	12

CODE	REF. NO.	PG
US0206000	CN7	13
US0327001	6	20
US0329001	4	19
US0330181	3	19
US0343001	#17	12
US0392001	12	17
US0405001	1	8
US0406022	2	8
US0407022	3	8
US0418022	4	8
US0436000	2	20
US0437000	3	20
US0440021	1	20
US0441021	9	20
US0443001	10	20
US0444001	11	20
US0451001	1	2
US0455001	1	2
US0458001	3	4
US0460001	4	4
US0461001	10	4
US0462000	8	4
US0463021	9	4
US0464020	47	4
US0464022	47	4
US0468001	34	4
US0469000	11	4
US0470001	12	4
US0473001	13	4
US0474001	14	4
US0476001	15	4
US0478001	17	4
US0483001	18	4
US0484001	19	4
US0485001	20	4
US0486001	21	4

PARTS LIST

WORD PROCESSOR
WP-7700CJ

CODE	REF. NO.	PG
US0488001	22	4
US0490000	23	4
US0491000	24	4
US0492001	25	4
US0493001	26	4
US0495000	27	4
US0496000	29	4
US0497001	30	4
US0498001	7	4
US0501001	31	4
US0502001	1	4
US0511000	32	4
US0512001	33	4
US0515001	35	4
US0516001	36	4
US0517001	37	4
US0518001	2	4
US0523001	40	4
US0524000	44	4
US0526001	42	4
US0529001	4	9
US0531001	1	10
US0533001	2	10
US0534001	2	10
US0574000	6	4
US0582000		14
US0583000	#1	14
US0584000	D1	14
US0585001	CN1	14
US0587001	FG	14
US0589000		14
US0590000	P1	14
US0591000		14
US0606085	#8,#9	12
US0608085	Q2,Q3,Q14,Q15	12
US0612085	D5	12
US0618085	RA1,RA2	13

CODE	REF. NO.	PG
US0631000	CN10,CN11	13
US0656085	Q17	12
US0726000	CN19,CN20	13
US0727000	38	4
US0728000	43	4
US0739001	7	19
US0745085	ZD1	12
US0749001		14
US0749002		14
US0782000	D2	14
US0783085	#7	12
US0784085	#13	12
US0785000	Q2	14
US0812022	4	8
US0826085	L6	13
US0882001	1-26	16
US0886001	1	8
US0924001	7	20
US0925001	8	20
US0984001	1-26	16
US1044001	3	10
US1061001	10	17
US1066001	46	4
US1068022	1	17
US1085022	3	8
US1122000	13	17
US1139022	3	17
US1140022	4	17
US1141000	5	17
US1142000	6	17
US1153001	2	4
US1164001	3	19
US1179001	6	19
US1221000	F1	14
US1290085	#5	12
US1481085	XT3	12
US1484000	#4	12

CODE	REF. NO.	PG
US1537000	#1	12
US1546085	ZD8	12
US1552085	Q1	12
US1553085	D6	12
US1567001	8	19
US1700001	2	19
US1701001	16	4
US1726001	5	20
US1727001	7	19
US1786001	1	9
US1806001	CN6	13
US1846000		12
US1865022	7	8
US1867001	8	8
US1869001	9	8
US1871001	1	18
US1873001	1	19
US1875022	9	20
US1880001	1	10
US1881002		14
US1882085	#10,#11,#12	12
US1912000	#16	12
US1940000	Q1	14
US2021001	14	17
US2022001	15	17
US2023001	16	17
US2054001	10	19
US2098000	CN19	13
US2099000	CN20	13
US2168085	Q4,Q5,Q6,Q7, Q8,Q9,Q10,Q11	12

CODE	REF. NO.	PG
Y01101375	R9	14
Y01270375	R8	14
Y01621375	R6	14
Y01691375	R10,11	14
Y02209603	R33,R34,R35, R36	12
Y04700513	R1	12
Y05490375	R5	14
Y06917000		14
Y21022405	C7,9,15	14
Y42202907	C53,C55	13
Y42223092	C13	14
Y44702097	C5	14
Y44714092	C11	14
Y44714921	C51	13
Y71004117	C47,C48,C49,C50	13
Y71012117	C3,C4,C45,C46	13
Y71502117	C1,C2	13
Y72212117	C41,C42,C43,C44	13
Y75095117	C36,C39	13
Y81020017	C10,C30,C31,C32 ,C33	13
Y81042407	C5,C6,C7,C8,C9, C11,C12,C13, C14,C15,C16, C17,C18,C19, C20,C21,C22, C23,C24,C25, C26,C27,C28, C29,C34,C35, C37,C38,C56, C57,C58,C59,C60	13
US0528001	3	9
US1138022	2	17

brother®

August 1996
TNPL00011
Printed in USA