



Home Sewing Machine

PARTS REFERENCE LIST

**MODEL: XL2600/XL2610/XL2620/XL2650H
XL3500/XL3500T/XL3510/XL3520
BM2600/BM3500/XL3510T
L25/L35/L15/XL2620SE/comfort25
XL2630/HQ17/HQ27**

CONFIDENTIAL

Copyright © 2010 Brother Industries, Ltd.
All rights reserved.

Published: Dec.,2004
Revised: Feb.,2015

MODEL LIST

Model	Countries (Added Date)
BM2600	IND (May / 2011)
BM3500	IND (May / 2011)

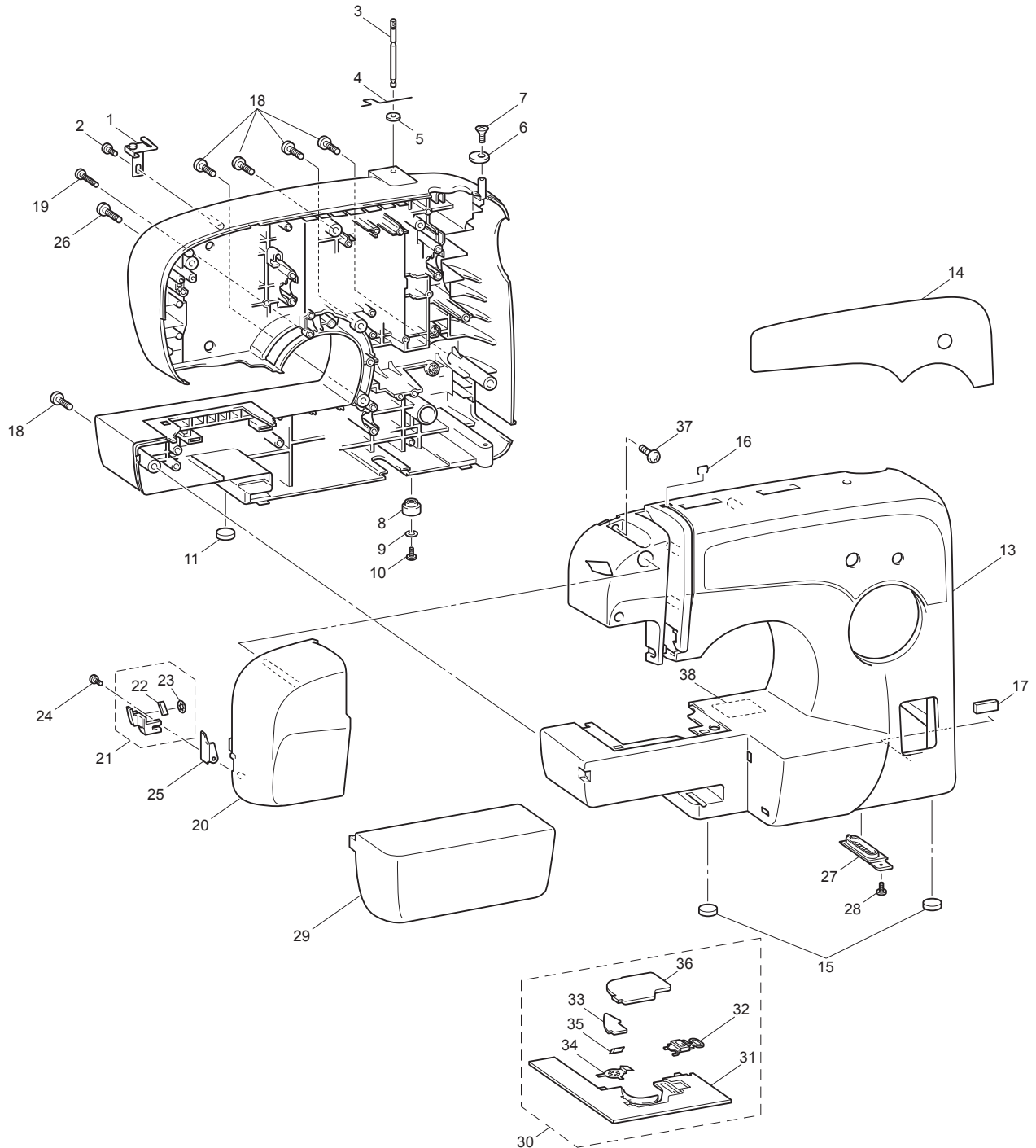
CONTENTS

(1) PRINCIPAL PARTS.....	2
(2) UPPER SHAFT / NEEDLE BAR, PRESSER MECHANISM	6
(3) FEED / FEED ADJUSTMENT MECHANISM	10
(4) ZIGZAG / PATTERN SELECTION MECHANISM	12
(5) BOBBIN WINDER / THREAD GUIDE MECHANISM	16
(6) LAMP MECHANISM / MOTOR UNIT	18
(7) ATTACHMENTS / PRINTED MATTER / PACKING MATERIALS	20

Note on parts:

We keep performance parts for this sewing machine for at least 8 years after this model is discontinued. Performance parts are the necessary parts to maintain the function of the sewing machine.

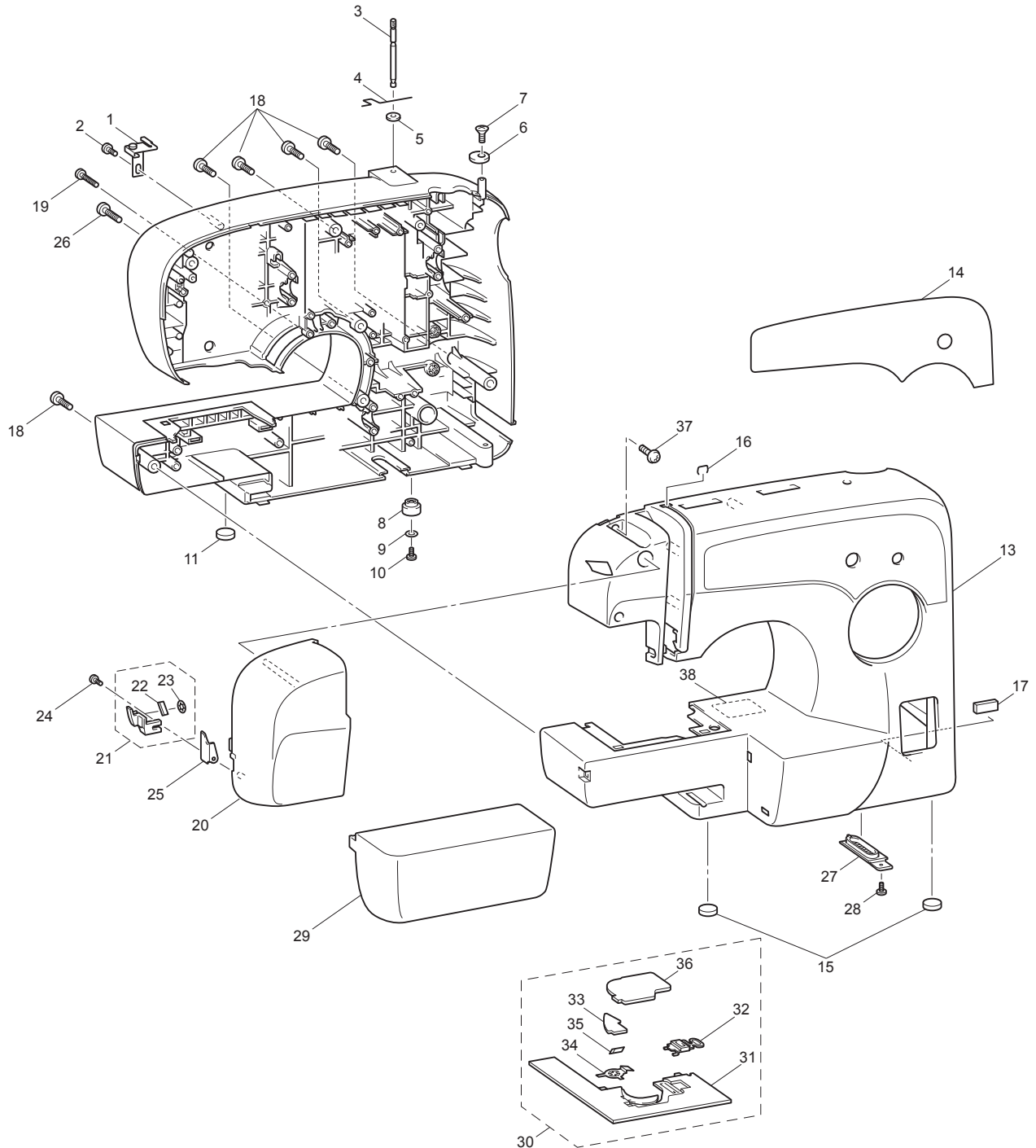
(1) PRINCIPAL PARTS



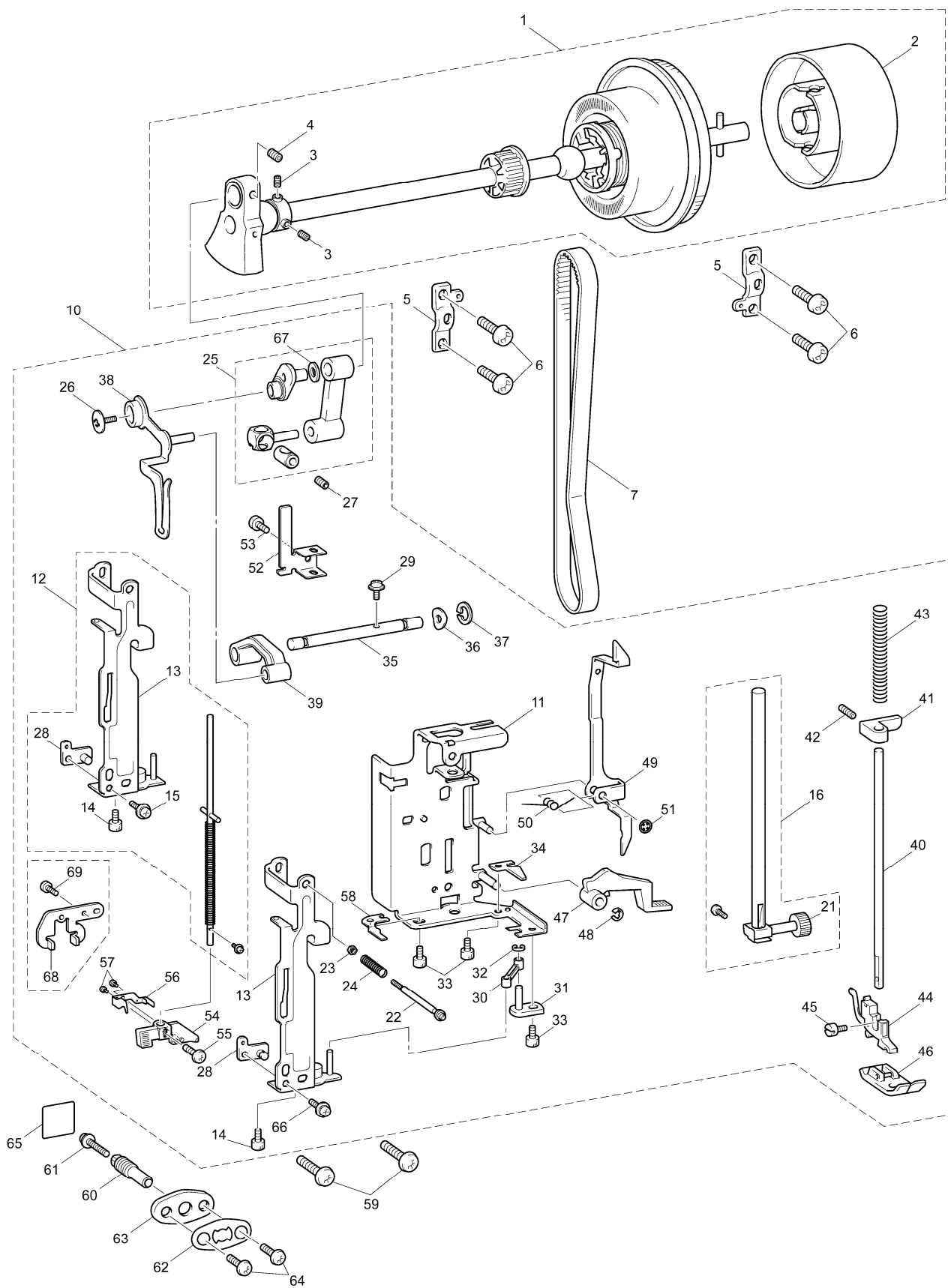
(1) PRINCIPAL PARTS

No.	CODE	NAME	REMARKS	No.	CODE	NAME	REMARKS
1	XC4846121	THREAD GUIDE ASSY	1000030522		XC8979026	STITCH PATTERN SHEET (XL2620)	
2	085411416	TAPTITE BIND B M4X14	1000003780		XC8979031	STITCH PATTERN SHEET (L25)	
3	188058121	SPOOL PIN			XC8979023	STITCH PATTERN SHEET (XL3500: USA, GUF, XL3500T)	
4	XA0628121	SPOOL PIN SPRING			XC8979030	STITCH PATTERN SHEET (BM3500)	
5	XA8851021	SPOOL PIN STAND	050073		XC8979034	STITCH PATTERN SHEET (XL3500: OTHER)	
6	XC4481121	BOBBIN PRESSER	1000024110		XC8979028	STITCH PATTERN SHEET (XL3510)	
7	XZ5031001	TAPTITE PAN P (S/P W) 3X12	060058		XC8979029	STITCH PATTERN SHEET (XL3520: OTHER)	
8	138337022	RUBBER CUSHION A	050098		XC8979032	STITCH PATTERN SHEET (L35)	
9	026350235	WASHER PLAIN M 3.5			XC8979040	STITCH PATTERN SHEET (L15)	1000006061
10	083361216	TAPTITE PAN B M3.5X12			XC8979041	STITCH PATTERN SHEET (XL2620SE)	1000007330
11	XC4077021	BASE PLATE RUBBER			XC8979035	STITCH PATTERN SHEET (comfort25)	
12	XC6264024	RING	1000001559		XC8979042	STITCH PATTERN SHEET (XL2630)	1000008822
13	XC8977121	FRONT COVER ASSY (XL2600: USA, CAN, TWN)	1000033890		XC8979043	STITCH PATTERN SHEET (HQ17)	1000016436
	XC8977127	FRONT COVER ASSY (BM2600)	1000033890		XC8979044	STITCH PATTERN SHEET (HQ27)	1000016437
	XC8977133	FRONT COVER ASSY (XL2600: OTHER)	1000033890		XC8979045	STITCH PATTERN SHEET (XL3520: CAN)	1000018361
	XC8977125	FRONT COVER ASSY (XL2610)	1000033890	15	XC4077021	BASE PLATE RUBBER	
	XC8977126	FRONT COVER ASSY (XL2620)	1000033890	16	X53625121	UPPER COVER THREAD GUIDE	
	XC8977131	FRONT COVER ASSY (L25)	1000033890	17	XA7769021	CUSHION	
	XC8977123	FRONT COVER ASSY (XL3500: USA, GUF, XL3500T)	1000033890	18	XZ5049001	GIZA TITE (S/P W) 5X18	1000003021
	XC8977130	FRONT COVER ASSY (BM3500)	1000033890	19	XC6304021	GIZA TITE (S/P W) 3X25	
	XC8977134	FRONT COVER ASSY (XL3500: OTHER)	1000033890	20	XC4854121	FACE PLATE	1000012289
	XC8977128	FRONT COVER ASSY (XL3510)	1000033890	21	XC4855021	CUTTER COVER ASSY	
	XC8977029	FRONT COVER ASSY (XL3520: OTHER)	1000013090	22	X80321021	NT LOWER THREAD CUTTER	
	XC8977032	FRONT COVER ASSY (L35)	1000013090	23	138384021	RETAINING RING, CS5	
	XC8977039	FRONT COVER ASSY (XL2650H)	1000013090	24	XZ5031001	TAPTITE PAN P (S/P W) 3X12	060058
	XC8977137	FRONT COVER ASSY (XL3510T)	1000013090	25	XC6057020	GUARD PLATE	
	XC8977140	FRONT COVER ASSY (L15)	1000013090	26	XA3337022	TAPTITE, CUP P M4X20	
	XC8977141	FRONT COVER ASSY (XL2620SE)	1000033890	27	XE3505001	BASE COVER	1000031941
	XC8977135	FRONT COVER ASSY (comfort25)	1000033890	28	084310816	TAPTITE FLAT B M3X8	1000023854
	XC8977142	FRONT COVER ASSY (XL2630)	1000033890	29	XC4858021	ACCESSORY TABLE	
	XC8977143	FRONT COVER ASSY (HQ17)	1000033890	30	XC8981121	NEEDLE PLATE B ASSY (XL26**, XL35**, L15, HQ17)	1000006517
	XC8977144	FRONT COVER ASSY (HQ27)	1000033890		XC9849221	NEEDLE PLATE B ASSY (BM2600, BM3500, L25, L35, comfort25)	1000006517
	XC8977145	FRONT COVER ASSY (XL3520: CAN)	1000033890	31	XC4860121	NEEDLE PLATE B (XL26**, XL35**, L15, HQ17)	1000006517
14	XC8979021	STITCH PATTERN SHEET (XL2600: USA, CAN, TWN)	1000004242		XC3521221	NEEDLE PLATE B (BM2600, BM3500, L25, L35, comfort25, HQ27)	1000006517
	XC8979027	STITCH PATTERN SHEET (BM2600)		32	XC7371021	SLIDE BUTTON	
	XC8979033	STITCH PATTERN SHEET (XL2600: OTHER)		33	XC2367021	CUTTER COVER (BM2600, BM3500, L25, L35, comfort25, HQ27)	
	XC8979025	STITCH PATTERN SHEET (XL2610)					

(1) PRINCIPAL PARTS



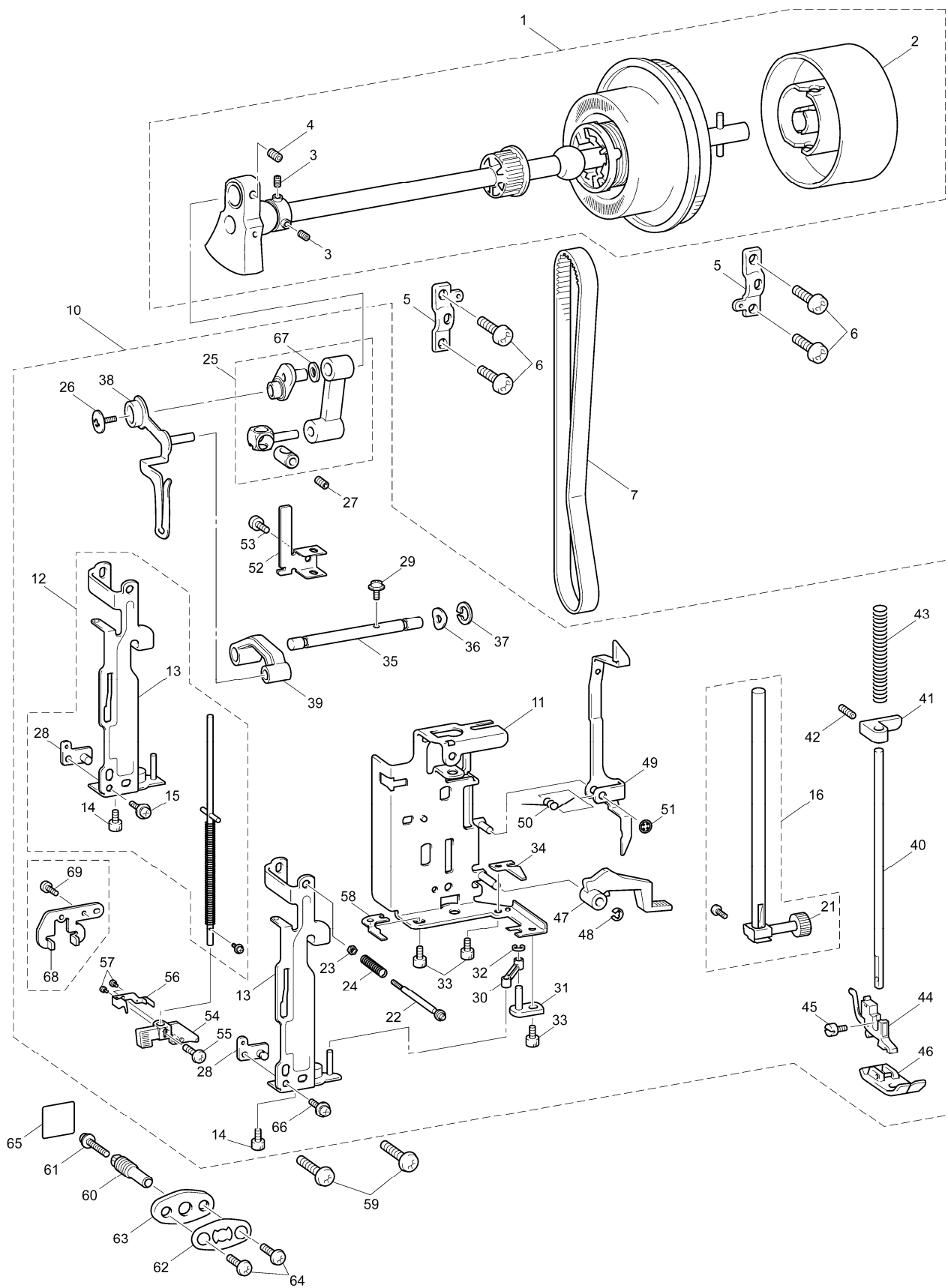
(2) UPPER SHAFT / NEEDLE BAR, PRESSER MECHANISM



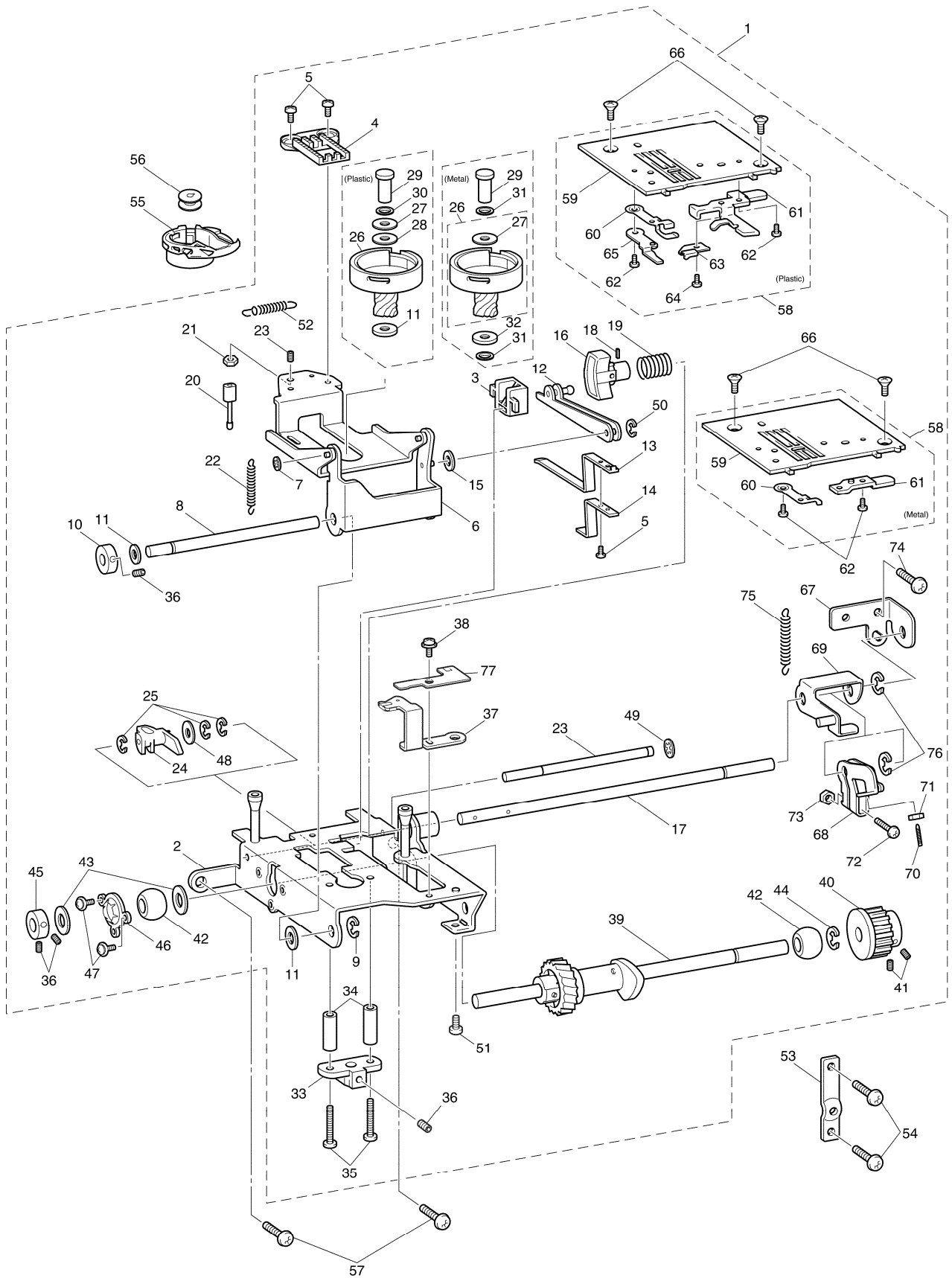
(2) UPPER SHAFT / NEEDLE BAR, PRESSER MECHANISM

No.	CODE	NAME	REMARKS	No.	CODE	NAME	REMARKS
UPPER SHAFT MECHANISM				32	048020346	RETAINING RING E2	1000001452
1	XE3701001	UPPER SHAFT SUPPLY ASSY (OLD TYPE)	1000013090	33	018300636	BOLT SOCKET M3X6	
	XE3704001	UPPER SHAFT SUPPLY ASSY (NEW TYPE)	1000013090	34	XC4894021	STOPPER	
2	XC3529021	PULLEY		35	XC4895021	SHAFT	
3	014400432	SET SCREW SOCKET (CP) M4X4		36	XZ5030001	WASHER, SPRING	060059
4	012500532	SET SCREW SOCKET (FT) M5X5		37	048050346	RETAINING RING E5	1000001452
5	XC4868020	UPPER SHAFT BEARING PRESSER (OLD TYPE)	1000013090	38	XC8564031	THREAD TAKE-UP LEVER	
	XC3534121	UPPER SHAFT BEARING PRESSER (NEW TYPE:LEFT SIDE)	1000013090	39	XC4897020	THREAD TAKE-UP LEVER LINK	
	XD1678021	UPPER SHAFT BEARING PRESSER (NEW TYPE:RIGHT SIDE)	1000013090	40	XC6565121	PRESSER BAR (USA, CAN, TWN, GUF, BM****, L25, L35, XL2620SE, comfort25, HQ27)	1000004242
6	XZ5049001	GIZA TITE (S/P W) 5X18	1000034526		XC4898021	PRESSER BAR (OTHER)	
7	XE5842001	TIMING BELT 420-5KC-6	1000034634	41	XC4899121	PRESSER BAR CLAMP	050261
8	XC8984024	TENSION PULLEY ASSY	1000003729	42	XC7207021	SCREW STUD M5	050037
9	0A4400806	SCREW, PAN (S/P WASHER) M4X8	1000003729	43	XC4900021	SPRING	
NEEDLE BAR, PRESSER MECHANISM				44	XE2555101	PRESSER FOOT HOLDER ASSY	1000022482
10	XE1295201	NEEDLE-PRESSER MODULE (USA, CAN, TWN, GUF, BM**, L25, L35, XL2620SE, omfort25, HQ27)	1000027100	45	XG1343001	SCREW SM3.57-40X8	1000045719
	XE1746201	NEEDLE-PRESSER MODULE (OTHER)	1000027100	46	XC4901121	ZIGZAG PRESSER FOOT	1000026420
11	XC4875221	BASE HOLDER ASSY	050255	47	XC4902021	PRESSER FOOT LIFTER	
12	XC6559021	NEEDLE HOLDER ASSY (USA, CAN, TWN, GUF, BM****, L25, L35, XL2620SE, comfort25, HQ27)	1000004242	48	048040346	RETAINING RING E4	1000001452
13	XC4880121	NEEDLE HOLDER SUB ASSY	060048	49	XC4903020	THREAD RELEASE LEVER	
14	018300636	BOLT SOCKET M3X6		50	XC4904121	SPRING	
15	XC7564021	SCREW, PAN (S/P WASHER) M3X6	1000008646	51	146200021	RETAINING RING, CS4	
16	XD1219131	NEEDLE BAR ASSY N	CHG	52	XC6564020	THREAD POSITIONING PLATE (USA, CAN, TWN, GUF, BM****, L25, L35, XL2620SE, comfort25, HQ27)	1000004242
17	XC2424024	NEEDLE BAR THREAD GUIDE	DEL	53	060260406	SCREW, BIND M2.6X4 (USA, CAN, TWN, GUF, BM****, L25, L35, XL2620SE, comfort25, HQ27)	
18	X53053052	SCREW SM2.38	DEL	54	XC6566121	NEEDLE THREADING LEVER (USA, CAN, TWN, GUF, BM****, L25, L35, XL2620SE, comfort25, HQ27)	1000004242
19	XC2426020	NEEDLE THREAD PLATE	DEL	55	0A5260606	SCREW, PAN(S/P WASHER)M2.6X6 (USA, CAN, TWN, GUF, BM****, L25, L35, XL2620SE, comfort25, HQ27)	
20	XC2427054	NEEDLE BLOCK	DEL	56	XA0445251	THREADER HOOK ASSEMBLY (USA, CAN, TWN, GUF, BM****, L25, L35, XL2620SE, comfort25, HQ27)	1000004242
21	XC8563031	NEEDLE CLAMP SCREW	1000002936	57	037200516	TAPPING SCREW, PAN V M2X5 (USA, CAN, TWN, GUF, BM****, L25, L35, XL2620SE, comfort25, HQ27)	1000004242
22	XC4884021	NEEDLE HOLDER SHAFT		58	XC7525121	NEEDLE HOLDER STOPPER	
23	X56851021	LOCK NUT		59	XC4961021	GIZA TITE 5X20	
24	XC4885021	SPRING		60	XC4905121	ADJUSTING SCREW	060047
25	XF5017001	NEEDLE BAR CRANK ROD ASSY	1000032404				
26	132051022	SCREW, FLAT SM3.57-40X7 L					
27	012400432	SET SCREW SOCKET (FT) M4X4					
28	XC4888021	ZIGZAG ADJUST PLATE ASSY					
29	XC3338021	SCREW 3X8	1000008481				
30	XC4963020	NEEDLE BAR SUPPORTER ARM					
31	XC4891021	NEEDLE SHAFT HOLDER ASSY					

(2) UPPER SHAFT / NEEDLE BAR, PRESSER MECHANISM



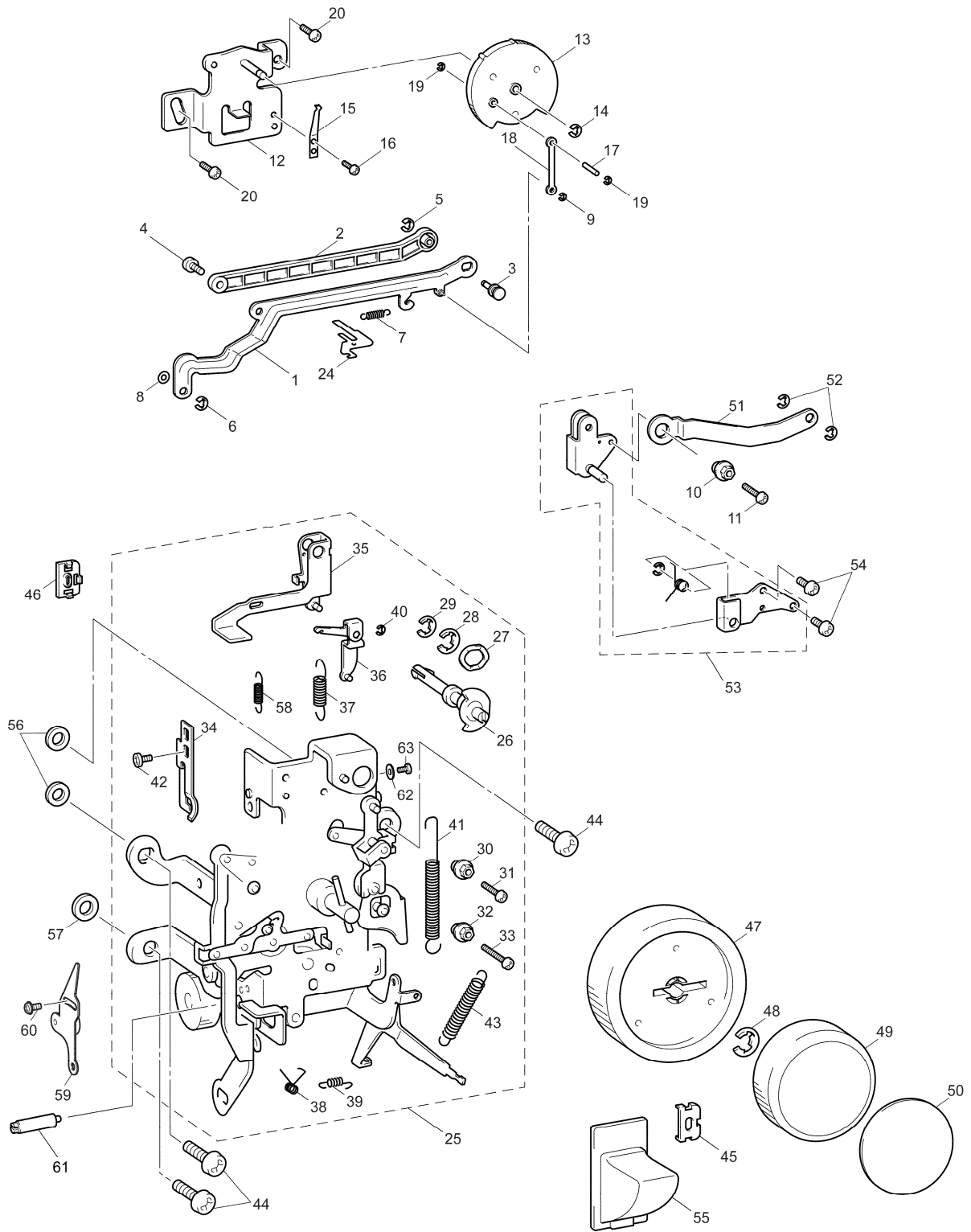
(3) FEED / FEED ADJUSTMENT MECHANISM



(3) FEED / FEED ADJUSTMENT MECHANISM

No.	CODE	NAME	REMARKS	No.	CODE	NAME	REMARKS
FEED MECHANISM				FEED ADJUSTMENT MECHANISM			
1	XE0093301	FEED MODULE (Plastic Model)	1000027743	39	XC4941021	LOWER SHAFT ASSY	
	XE0094301	FEED MODULE (Metal Model)	1000027743	40	XC4943021	TIMING PULLEY D	
2	XC4909121	BASE PLATE ASSY	1000006200	41	014500532	SET SCREW SOCKET (CP) M5X5	
3	XC4914021	FEED ARM SUPPORTER		42	X52664020	LOWER SHAFT BUSHING	
4	XC4915221	FEED DOG	1000006200	43	X51383020	WASHER, THRUST	
5	060300816	SCREW BIND M3X8		44	048060346	RETAINING RING E6	
6	XZ5022101	FEED BAR ASSY	1000006200	45	137768121	SET SCREW COLLAR	
7	120454021	RETAINING RING, CS3		46	XC4944021	BUSHING PRESSER B	
8	XC4923020	HORIZONTAL FEED SHAFT		47	085310615	TAPTITE BIND B M3X6	
9	048050346	RETAINING RING E5		48	025040332	WASHER PLAIN L 4	
10	130676121	SET SCREW COLLAR		49	146200021	RETAINING RING, CS4	
11	X50546020	WASHER, THRUST		50	X56655021	RETAINING RING: CSTW-3.5	
12	XC4924021	FEED ARM ASSY		51	060400816	SCREW BIND M4X8	
13	XC4927021	FEED SUPPORTING PLATE		52	XC6364021	SPRING	
14	XC4928120	FEED SUPPORTING PLATE B	1000000733	53	XC4948020	BUSHING PRESSER A	
15	137999020	POLYESTER SLIDER		54	XC3496021	GIZA TITE 5X16	
16	XC4929020	FEED ADJUSTER		55	XC8993321	INNER ROTARY HOOK ASSY	1000008855
17	XC4930121	FEED ADJUSTING SHAFT		56	X52800120	BOBBIN	
18	047201242	PIN SPRING ROLL AW2		57	XC3805021	GIZA TITE 5X16	
19	XC4931021	SPRING		58	XC8990121	NEEDLE PLATE A ASSY (Plastic Model)	
20	XZ5024001	VERTICAL ADJUSTER SCREW ASSY			XC4945121	NEEDLE PLATE A ASSY (Metal Model)	
21	XC2546121	M5 NUT	1000042710	59	XC4946221	NEEDLE PLATE A	
22	XC4935021	SPRING		60	XC8991120	STOPPER PLATE (Plastic Model)	
23	XC4936020	VERTICAL FEED SHAFT			XC2570121	STOPPER PLATE (Metal Model)	
24	XC2551020	VERTICAL LEVER		61	XC8992121	F GEAR STOPPER PLATE (Plastic Model)	
25	048030346	RETAINING RING E3			XC4947121	F GEAR STOPPER PLATE (Metal Model)	
26	XF0149001	OUTER ROTARY HOOK ASSY (Plastic Model)	1000039033	62	XD0196021	SCREW, BIND M2.6X3 (Plastic Model)	
	XD0115021	OUTER ROTARY HOOK ASSY (Metal Model)			060260316	SCREW, BIND M2.6X3 (Metal Model)	
27	XC0063021	MAGNET (Plastic Model)		63	XD0060021	STOPPER PLATE B (Plastic Model)	
	XC0063051	MAGNET (Metal Model)		64	060300416	SCREW BIND M3X4 (Plastic Model)	
28	XC8989020	WASHER (Plastic Model)		65	XD0059021	STOPPER PLATE L (Plastic Model)	
29	XD1943021	OUTER ROTARY HOOK SHAFT		66	X50487021	SCREW M4	1000010447
30	X53183021	WASHER (Plastic Model)		FEED ADJUSTMENT MECHANISM			
31	137805022	SPACER (Metal Model)		67	XC4949020	FEED CONNECTING HOLDER	
32	137976021	WASHER 6 (Metal Model)		68	XC9951021	FEED CONNECTING LEVER A	
33	XC4937020	SHAFT SUPPORTER		69	XC9952021	FEED CONNECTING LEVER B ASSY	
34	XC4938020	COLLAR		70	XA1620021	ADJUSTING SCREW	
35	XC6551021	SCREW, PAN (S/P WASHER) M4X22		71	X56960021	NUT 4	
36	014400432	SET SCREW SOCKET (CP) M4X4		72	060401416	SCREW BIND M4X14	
37	XE3649101	INNER ROTARY HOOK BRACKET ASSY	1000028930	73	021400206	NUT 2 M4	1000022313
38	0A5300806	SCREW PAN (S/P WASHER) M3X8	1000015250	74	XC3496021	GIZA TITE 5X16	
				75	XC5062021	SPRING	
				76	048040346	RETAINING RING E4	
				77	XE7323101	IRH BRACKET SUPPORT PLATE	1000016146

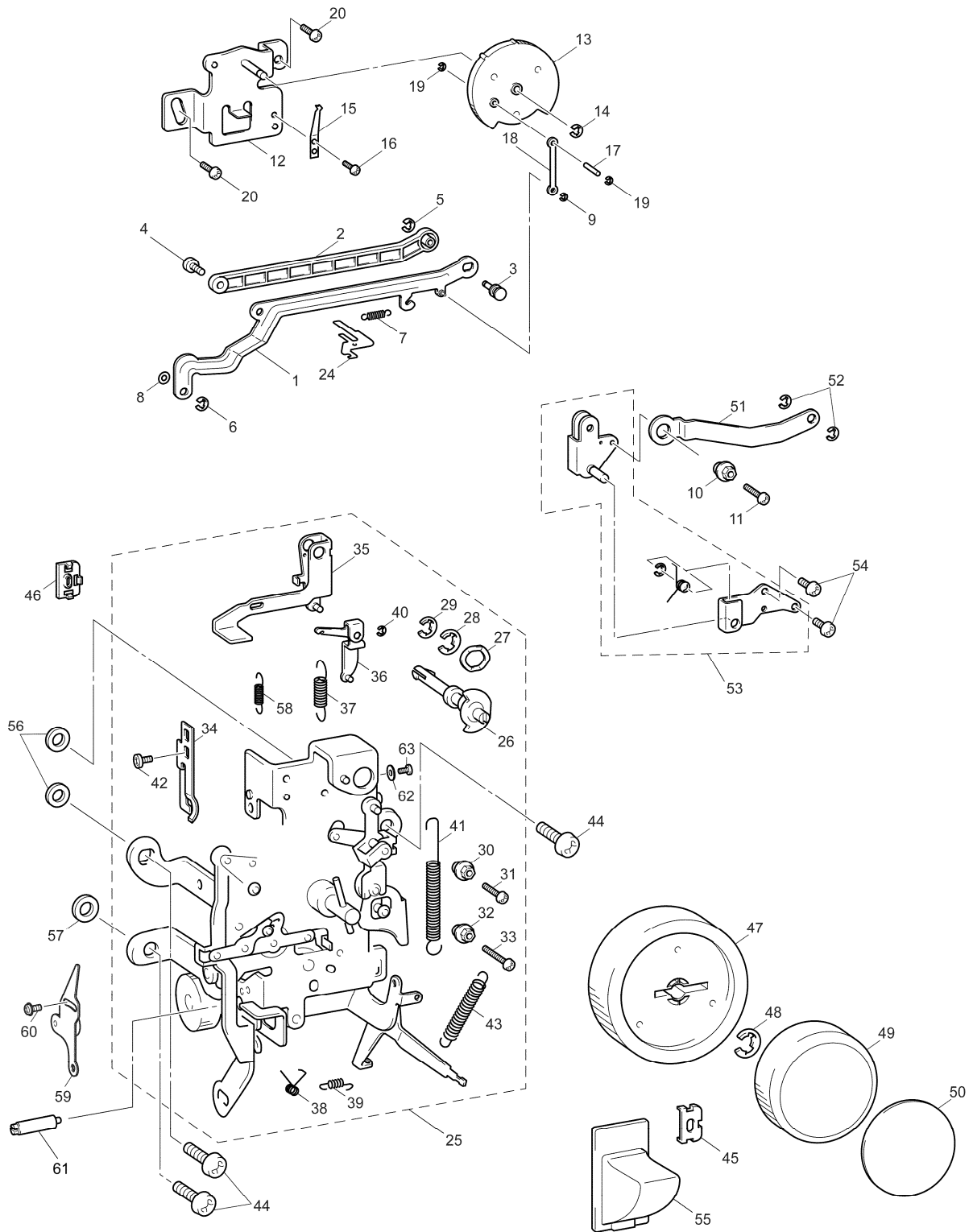
(4) ZIGZAG / PATTERN SELECTION MECHANISM



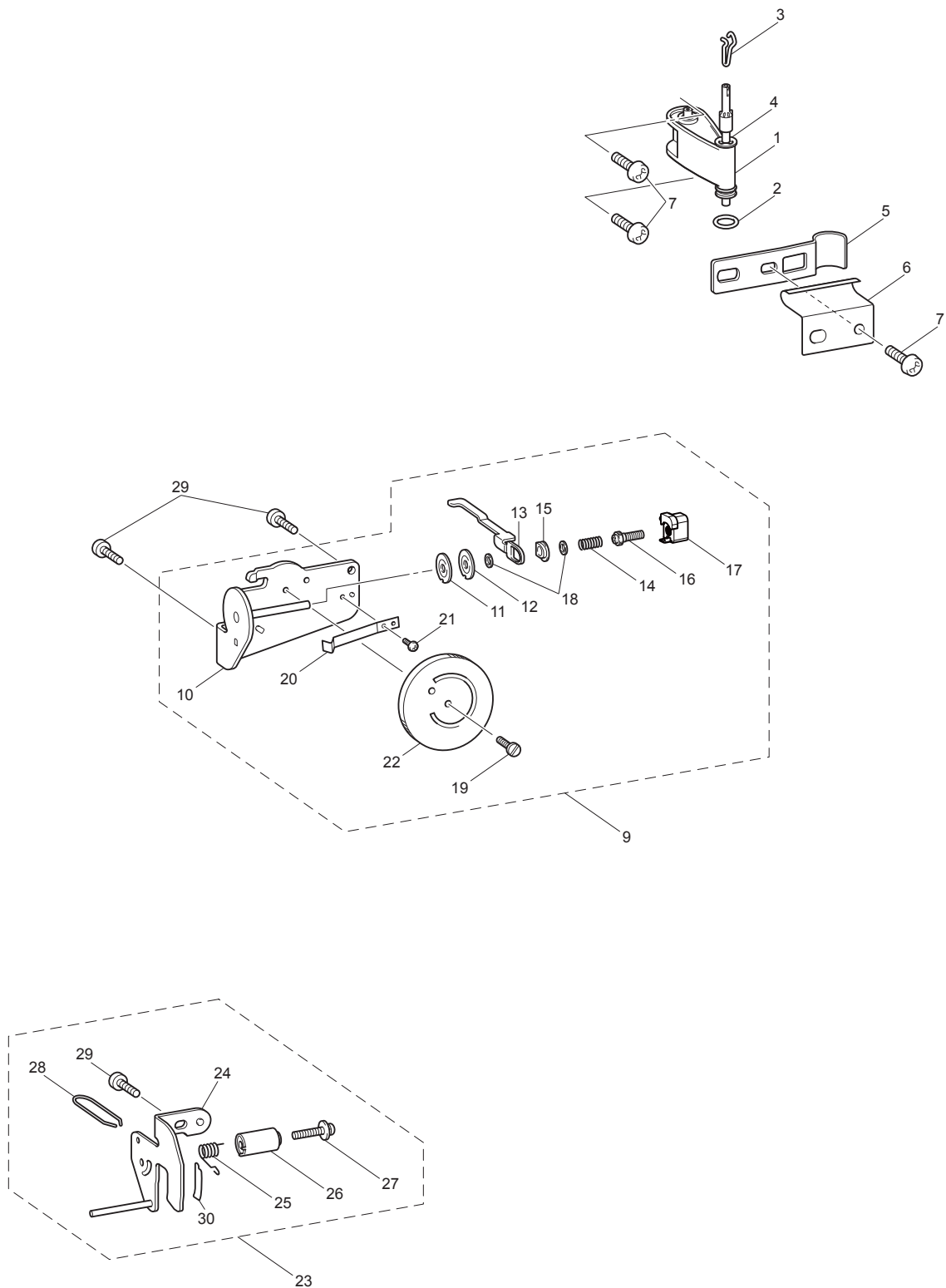
(4) ZIGZAG / PATTERN SELECTION MECHANISM

No.	CODE	NAME	REMARKS	No.	CODE	NAME	REMARKS
ZIGZAG MECHANISM				41	XC5029021	SPRING	
1	XC8996220	ZIGZAG LEVER A	1000022881	42	060300616	SCREW BIND M3X6	
2	XC8998020	ZIGZAG LEVER B		43	X59905021	SPRING	
3	XC8999021	ZIGZAG LINK ROLLER SHAFT		44	XC3805021	GIZA TITE 5X16	
4	0A4400806	SCREW PAN (S/P WASHER) M4X8		45	XC5035020	SPACER	
5	048030346	RETAINING RING E3	1000001452	46	XC5036020	WASHER	
6	048040346	RETAINING RING E4	1000001452	47	XC9064021	FEED DIAL (XL26**, BM2600, L25, COMFORT25, L15, HQ17, HQ27)	
7	XA4200021	SPRING			XC9218221	FEED DIAL (XL35**, BM3500, L35)	050142
8	137713020	POLYESTER SLIDER		48	048060346	RETAINING RING E6	1000001452
9	048025346	RETAINING RING E2.5	1000001452	49	XC9074021	SELECTING DIAL	
10	X50559020	ZIGZAG ADJUSTING NUT		50	XC9075021	DECORATION PLATE (XL2600: USA CAN, TWN)	1000004242
11	062300806	SCREW PAN M3X8			XC9075027	DECORATION PLATE (BM2600)	
12	XC9002021	Z DIAL HOLDER ASSY			XC9075033	DECORATION PLATE (XL2600: OTHER)	
13	XC9004021	Z DIAL			XC9075025	DECORATION PLATE (XL2610)	
14	048040346	RETAINING RING E4	1000001452		XC9075026	DECORATION PLATE (XL2620)	
15	X56839021	NOTCHED SPRING			XC9075031	DECORATION PLATE (L25)	
16	085310616	TAPTITE BIND B M3X6	1000033513		XC9075023	DECORATION PLATE (XL3500: USA, GUF, XL3500T)	
17	XC9006021	Z DIAL PIN			XC9075030	DECORATION PLATE (BM3500)	
18	XD1680021	Z DIAL CONNECTING ROD ASSY	050266		XC9075034	DECORATION PLATE (XL3500: OTHER, XL3520: CAN)	
19	048025346	RETAINING RING E2.5	1000001452		XC9075028	DECORATION PLATE (XL3510)	
20	XC3496021	GIZA TITE 5X16			XC9075029	DECORATION PLATE (XL3520: OTHER)	
21	XC9008121	ZIGZAG LINK ASSY	DEL 050202		XC9075032	DECORATION PLATE (L35)	
22	048050346	RETAINING RING E5	DEL 050202		XC9075049	DECORATION PLATE (XL2650H)	ADD
23	XC9011021	SPRING	DEL 050202		XC9075037	DECORATION PLATE (XL3510T)	ADD
24	XC9012020	SPRING HOLDER			XC9075051	DECORATION PLATE (L15)	1000006061
PATTERN SELECTION MECHANISM					XC9075052	DECORATION PLATE (XL2620SE)	1000007330
25	XC9013321	SELECTING UNIT ASSEMBLY (XL26**, BM2600, L25, COMFORT25, L15, HQ17, HQ27)	1000012301		XC9075035	DECORATION PLATE (COMFORT25)	
	XC9209521	SELECTING UNIT ASSEMBLY (XL35**, BM3500, L35)	1000012301		XC9075054	DECORATION PLATE (XL2630)	1000008822
26	XC4976021	BH ADJUSTING KNOB			XC9075055	DECORATION PLATE (HQ17)	1000016436
27	X59928021	SPRING WASHER			XC9075056	DECORATION PLATE (HQ27)	1000016437
28	048080343	RETAINING RING E8	1000001452	51	XC9077021	ZIGZAG LINK CONNECTING ROD	
29	048060343	RETAINING RING E6	1000001452	52	048030346	RETAINING RING E3	1000001452
30	XC4989021	ADJUSTING NUT		53	XZ5019021	ZIGZAG LINK UNIT	050202
31	062300806	SCREW PAN M3X8		54	085411016	TAPTITE BIND B M4X10	1000024121
32	XC4994021	ADJUSTING NUT		55	XC5028021	REVERSE SEWING BUTTON	
33	062301205	SCREW PAN M3X12		56	XD0037220	WASHER 9	060012
34	XC9033021	SPRING		57	XZ5020101	SPACER	1000012301
35	XC9034021	BH FEED LEVER A ASSEMBLY		58	XA1911021	SPRING	050150
36	XC9037021	BH FEED LEVER B ASSEMBLY		59	XC8984021	TENSION PULLEY ASSY	1000003729
37	XC9039021	SPRING					
38	XC5092021	SPRING					
39	XC9228021	SPRING (XL35**, BM3500, L35)					
40	048030343	RETAINING RING E3	1000001452				

(4) ZIGZAG / PATTERN SELECTION MECHANISM



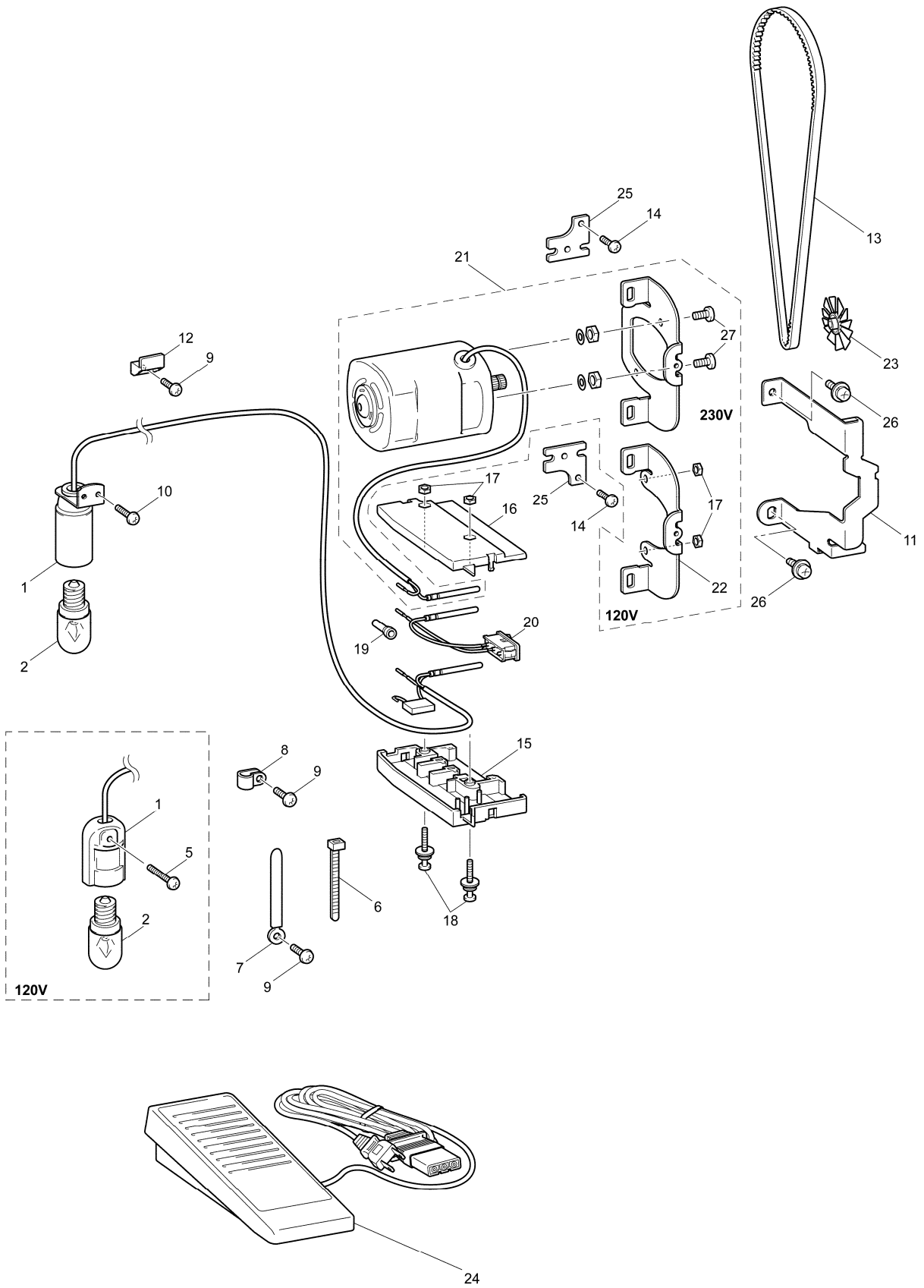
(5) BOBBIN WINDER / THREAD GUIDE MECHANISM



(5) BOBBIN WINDER / THREAD GUIDE MECHANISM

No.	CODE	NAME	REMARKS
BOBBIN WINDER MECHANISM			
1	XC5041221	BOBBIN WINDER ASSY	050170
2	X55238021	RUBBER RING	
3	XC1894020	SPRING	
4	048050346	RETAINING RING E5	1000001452
5	XC5045020	BOBBIN WINDER SPRING	
6	XC5046020	CORD STOPPER	
7	XC3496021	GIZA TITE 5X16	
8	085511616	TAPTITE BIND B M5X16	DEL 060082
THREAD GUIDE MECHANISM			
9	XE5755301	THREAD GUIDE A ASSY	1000039889
10	XC5048221	THREAD TENSION HOLDER ASSY	1000031504
11	XA0083121	TENSION DISC A	1000006407
12	XA0084121	TENSION DISC B	1000006407
13	XC5051020	THREAD RELEASE PLATE	
14	X55842021	SPRING	
15	137881021	TENSION DISC WASHER	
16	XE9288001	THREAD TENSION ADJUSTING SCREW	1000040123
17	XE9289001	THREAD TENSION NUT	1000040123
18	XD0573021	WASHER	
19	XC9234021	TENSION DIAL SHAFT	060043
20	X56839021	NOTCHED SPRING	
21	062300416	SCREW PAN M3X4	
22	XE9290101	THREAD TENSION DIAL	1000039889
23	XE2780101	THREAD GUIDE ASSY B	1000005353
24	XC5060121	THREAD TAKE-UP HOLDER B	050177
25	XC6957121	THREAD TAKE UP SPRING	1000005353
26	XC2648121	THREAD CATCHING SPRING CASE	1000003151
27	0A4301806	SCREW, PAN (S/P WASHE) M3X18	
28	XC5059020	THREAD GUIDE WIRE	
29	085411416	TAPTITE BIND B M4X14	
30	XE5984001	SPRING TAPE	1000011631

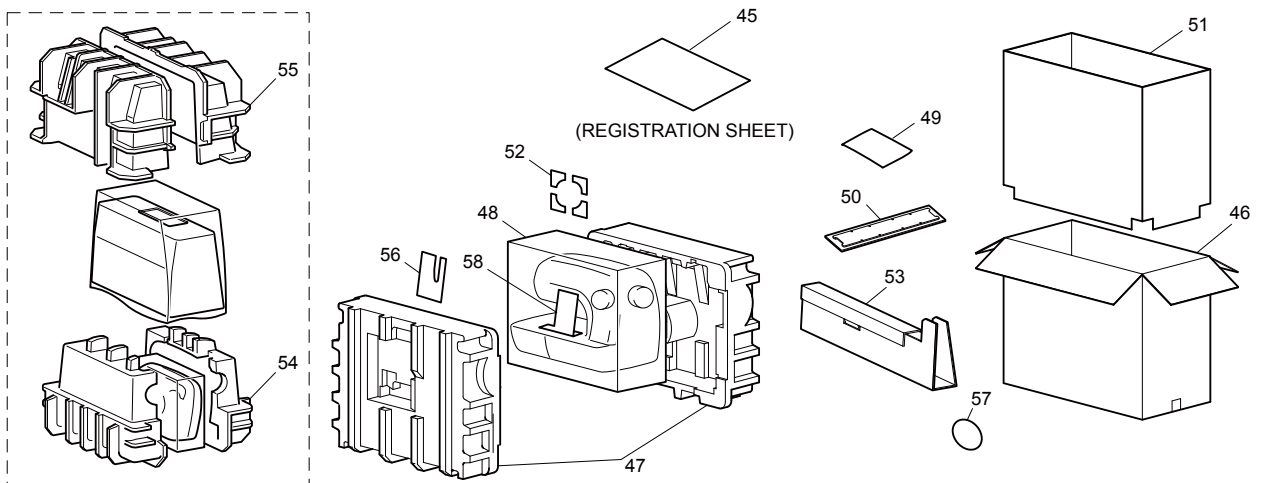
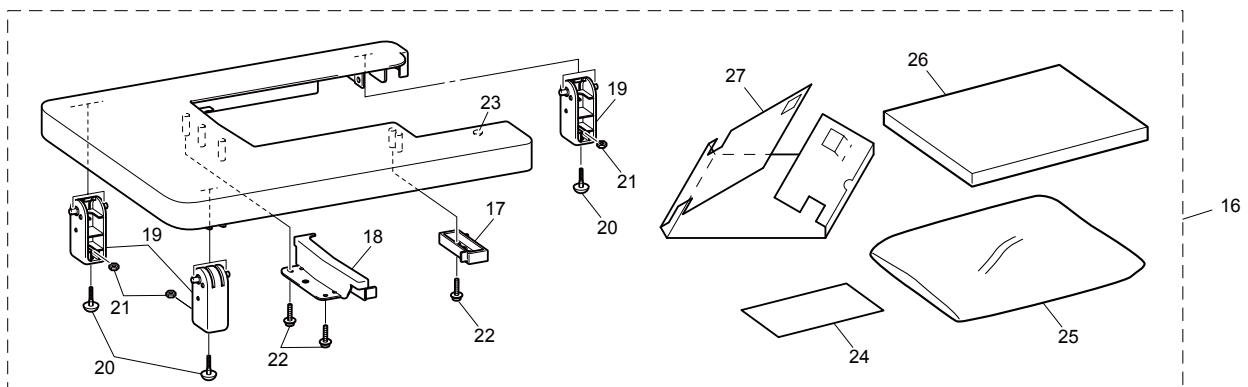
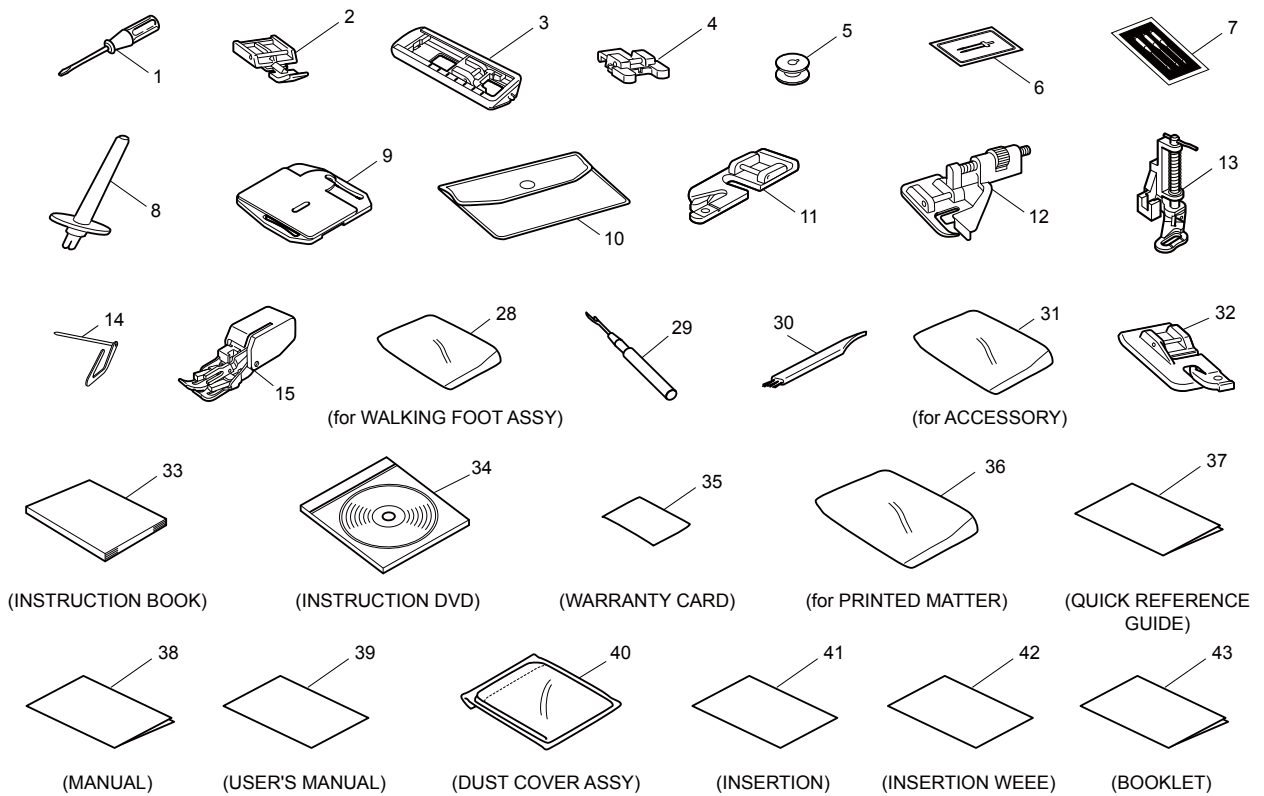
(6) LAMP MECHANISM / MOTOR UNIT



(6) LAMP MECHANISM / MOTOR UNIT

No.	CODE	NAME	REMARKS	No.	CODE	NAME	REMARKS
LAMP MECHANISM				24	XC7456521	FOOT CONTROLLER: KD-2902UK	1000043071
1	XC5992021	LAMP ASSY, E12C #026 (USA, CAN, TWN)	1000004242		XC7438421	FOOT CONTROLLER: KD-2902 (OTHER)	1000025691
	XC9132021	LAMP ASSY, E14K #186 (OTHER)			XD0105021	FOOT CONTROLLER: KD-2902 CHN	1000001764
2	X53061030	SEW-LIGHT BULB (100-120V)	1000013742		XE0629001	FOOT CONTROLLER: KD-2902AUS (BM2600, XL2620: AUSTRALIA)	1000003856
	205336030	SEW-LIGHT BULB L-4 (220-240V)	1000012695		XD0852121	FOOT CONTROLLER: KD-2902KOREA	1000027263
3	XC5065020	LAMP HOLDER 120V (USA, CAN, TWN)	1000007202		XE3447001	FOOT CONTROLLER: KD-1902 TWN (TWN)	1000004242
4	060400616	SCREW, BIND M4X6 (USA, CAN, TWN)	1000007202	25	XE5255001	MOTOR FIXED PLATE	1000011677
5	060302016	SCREW, BIND M3X20 (USA, CAN, TWN)	1000004242	26	XA3004021	BOLT, (S/P WASHER) M5X12	
6	X53169020	BAND		27	138172021	SCREW, PAN (S/P WASHER) M4X10	050187
7	XA0286051	WIRE CLIP	1000042697				
8	XC5243021	CORD CLAMP: NK-5N					
9	085411416	TAPTITE BIND B M4X14					
10	085311215	TAPTITE, BIND B M3X12 (Except for USA, CAN, TWN)	1000004242				
11	XC9079020	CORD GUIDE PLATE (OTHER)					
	XD1770021	CORD GUIDE PLATE (HQ17, HQ27, XL3500: GUF, XL3520: CAN, BM2600, BM3500)	1000016437				
12	XC4972021	CORD CLAMP (OTHER)					
	XD1786021	CORD CLAMP (HQ17, HQ27, XL3500: GUF, XL3520: CAN, BM2600, BM3500)	1000016437				
MOTOR UNIT							
13	XE5843001	TIMING BELT 2M-372-6	1000034634				
14	XC3496021	GIZA TITE 5X16					
15	XA8786021	3P SOCKET BODY					
16	XA8787021	3P SOCKET COVER					
17	021400206	NUT 2 M4	1000022313				
18	052403006	SCREW, PAN (S/P WASHER) M4X30					
19	214808020	CONNECTOR: #3					
20	XC5232021	POWER SWITCH ASSY					
21	XC9954021	MOTOR SUPPLY ASSY 120V (USA, CAN, TWN)	1000004242				
	XC9955021	MOTOR SUPPLY ASSY 230V	1000014411				
	XE6313001	MOTOR SUPPLY ASSY FDM230V	1000014411				
	XE6638001	MOTOR SUPPLY ASSY 240V	1000014411				
	XE6637001	MOTOR SUPPLY ASSY 220V/50HZ	1000014411				
	XE6636001	MOTOR SUPPLY ASSY 220V/60HZ (KOREA)	1000014411				
22	XD0870321	MOTOR HOLDER FDM120V (USA, CAN, TWN)	1000004242				
	XD0871421	MOTOR HOLDER FDM230V	1000014411				
23	XC3803120	MOTOR FAN	1000033777				
24	XC7359021	FOOT CONTROLLER: KD-1902 (USA, CAN)	1000001764				

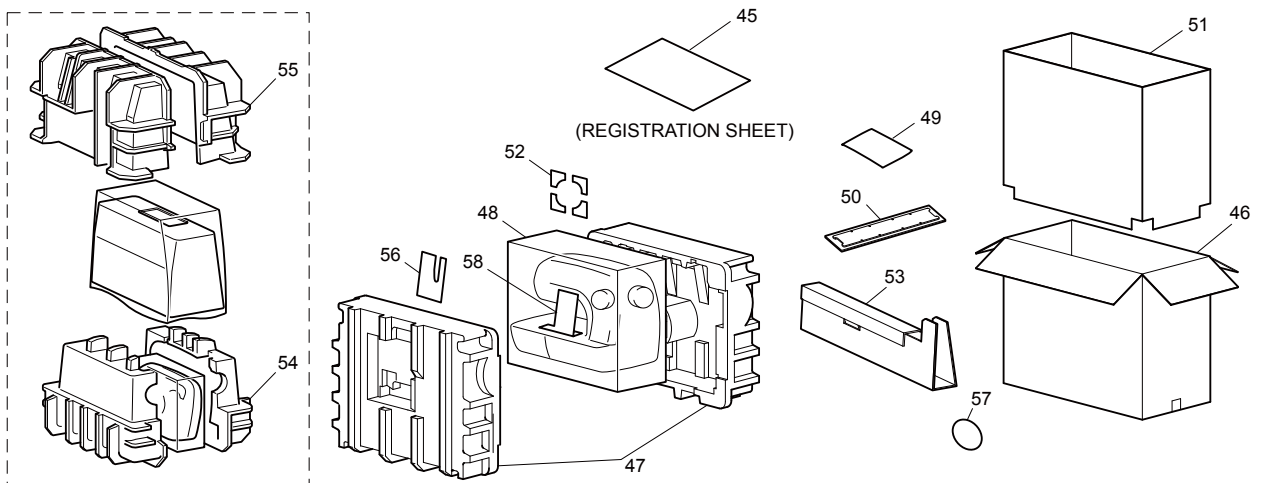
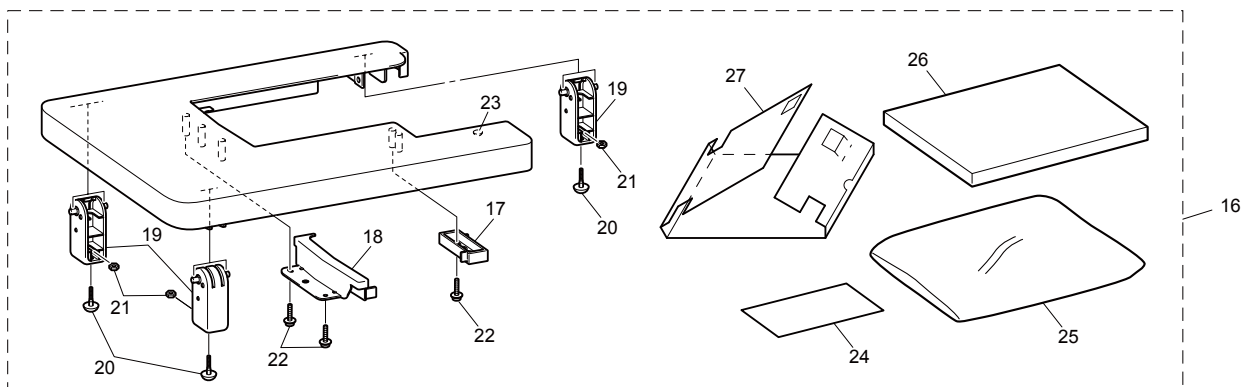
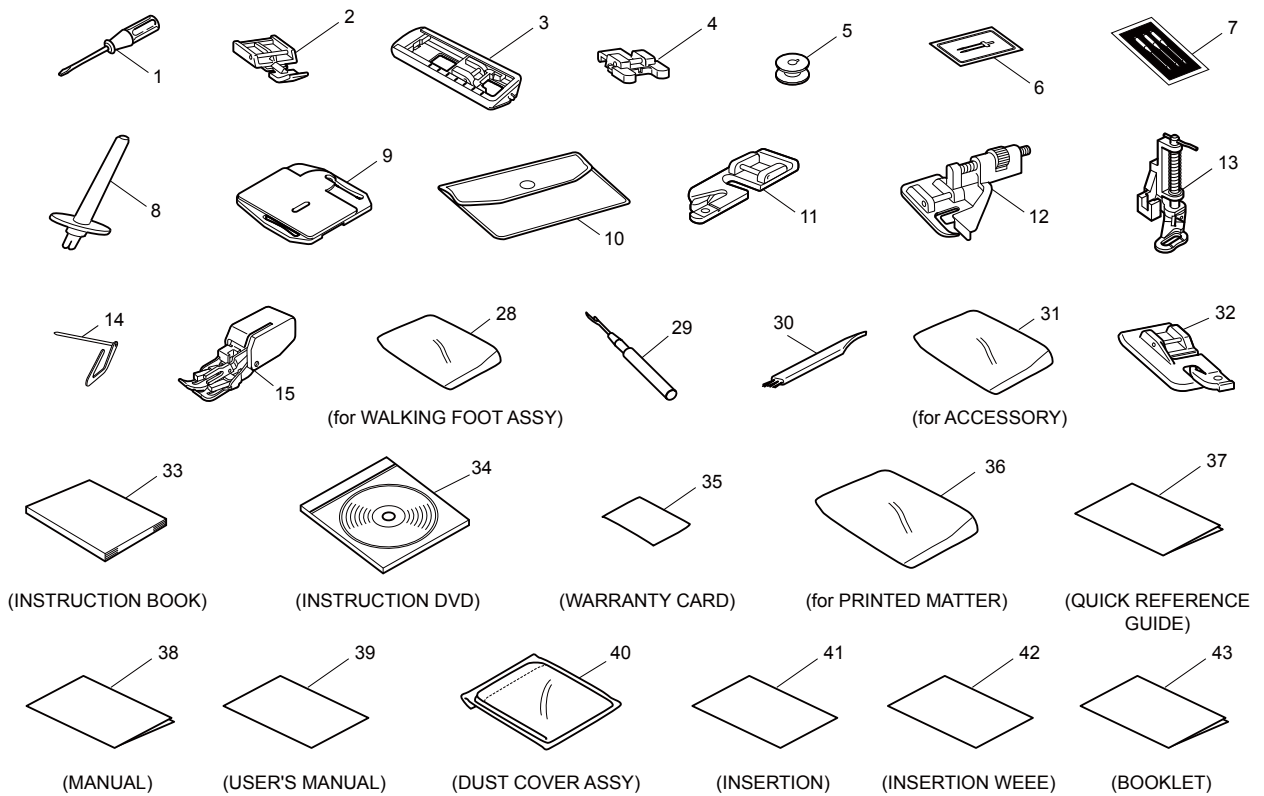
(7) ATTACHMENTS / PRINTED MATTER / PACKING MATERIALS



(7) ATTACHMENTS / PRINTED MATTER / PACKING MATERIALS

No.	CODE	NAME	REMARKS	No.	CODE	NAME	REMARKS
ATTACHMENTS							
1	X55467021	SCREW DRIVER			XC7344021	INSTRUCTION BOOK DUT (Dutch)	
2	X59370021	ZIPPER FOOT			XC8030021	INSTRUCTION BOOK ITA (Italian)	
3	X59369321	BUTTON HOLE FOOT ASSY			XC8113021	INSTRUCTION BOOK DEN (Danish)	
4	XE2137001	BUTTON SEWING FOOT	100001059		XC8276021	INSTRUCTION BOOK FIN (Finnish)	
5	X52800120	BOBBIN			XD0103021	INSTRUCTION BOOK CHN (Chinese)	
6	X57521021	NEEDLE PACKAGE (1 PCE)			XC7453021	INSTRUCTION BOOK SPA (Spanish)	ADD
7	129583121	NEEDLE SET (3PCS)	1000022556		XC9972221	INSTRUCTION BOOK (Russian)	1000042917
8	130920021	EXTRA SPOOL PIN			XE7582001	INSTRUCTION BOOK TC (TWN, HKG: Chinese)	1000016298
9	XC6063021	FEED DOG COVER			XE5683001	INSTRUCTION BOOK TUR (Turkish)	1000010623
10	XC4487021	ACCESSORY BAG			XE4727001	MYLER INSTRUCTION ASSY (XL2610, XL3510)	1000007562
11	X59371021	NARROW HEMMER FOOT (USA, CAN, TWN, GUF)	1000004242	34	XD1866021	INSTRUCTION DVD PAL (UK, IRE, HKG, AUS, RUS, TUR, SGP, UAE, MYS, NZL, IND)	1000017604
12	XE6081001	BLIND STITCH FOOT (USA, CAN, TWN, GUF)	1000012127		XE6308001	INNOV-IS RANGE PROMOTION DVD	1000013646
13	XD1819121	QUILTING FOOT (XL3500T, XL3510T)	1000024883		XE5495301	INSTRUCTION DVD ASSY RUS (RUS)	1000038517
14	X59819021	QUILTER (XL3500T, XL3510T)	050152	35	XF5055001	STANDARD WARRANTY FOR US (USA, GUF)	1000032973
15	XE2785002	WALKING FOOT ASSY (XL3500T, XL3510T)	1000002188		XE8671001	WARRANTY CARD BROTHER CANADA	1000018691
16	XC9800021	S99 WIDE TABLE ASSY (XL3500T, XL3510T)			XF6323101	2&5 WARRANTY FOR US (USA)	1000038646
17	XC9360021	FIXING PLATE A (XL3500T, XL3510T)		36	130800021	BAG, 230X310H	1000011228
18	XC9786021	FIXING PLATE S99 (XL3500T, XL3510T)		37	XC8537021	QUICK REFERENCE GUIDE (USA, CAN, TWN, GUF)	1000004242
19	XC4495021	TABLE FOOT (XL3500T, XL3510T)			XC8327021	QUICK REFERENCE GUIDE (BM2600, 3500, L25, 35, COMFORT25, XL2630: MYS, HQ27)	
20	XD1223021	ADJUSTING FOOT (XL3500T, XL3510T)	050196		XC9110021	QUICK REFERENCE GUIDE (OTHER)	
21	021400206	NUT 2 M4 (XL3500T, XL3510T)			XE3644001	QUICK REFERENCE GUIDE BM2600 (BM2600: HKG, TUR)	1000005705
22	087411416	TAPTITE CUP B M4X14 (XL3500T, XL3510T)		38	XC1885021	MANUAL (XL3500T: CAN, XL2600: TWN, XL3520: CAN)	1000036683
23	X59853020	RUBBER CUSHION (XL3500T, XL3510T)			XF1673001	MANUAL (BM2600: IND)	1000027887
24	XC9802021	INSTRUCTION MANUAL (XL3500T, XL3510T)		39	XA7201021	USER'S MANUAL (XL3500T: CAN, XL2600: TWN, XL3520: CAN)	1000004242
25	X61231021	BAG 400X500H (XL3500T, XL3510T)		40	XA2112022	DUST COVER ASSY (Except for USA, CAN, TWN)	1000004242
26	XC9361020	LE WIDE TABLE CARTON (XL3500T, XL3510T)		41	XF6550001	STOP INSERTION CANADA (CAN)	1000036767
27	XC9362120	PAD (XL3500T, XL3510T)	1000031976		XE2196001	INSERTION	1000003188
28	X60838000	BAG, 70X110C (XL3500T, XL3510T)	050336		XE4888001	NOT RETURN INSTRUCTION SHEET (XL2610, 3510)	1000007964
29	XZ5082001	SEAM RIPPER (XL2600, BM2600: IND)	1000027887		XE8862201	INSERTION CE (UK, ITA, GUF, FRA, ESP, FIN, CHE, EEU, NEU, DEU, AUT, TUR/SGP/UAE, AUS)	1000021834
30	X59476021	CLEANING BRUSH (XL2600: GER)	050181		XF5734001	CE INSERTION 2	1000034881
31	X57367021	BAG, 135X150 (XL3500T, XL3510T)	050054		XE9897001	UKRAINIAN ROHS INSERTION (RUS)	1000024008
32	XA9898001	PICOT FOOT (BM2600: IND)	1000027887				
PRINTED MATTER							
33	XC8346021	INSTRUCTION BOOK (English)					
	XC6771021	INSTRUCTION BOOK (English)					
	XC7252021	INSTRUCTION BOOK FRE (French)					
	XC9157021	INSTRUCTION BOOK (German)					
	XC8248021	INSTRUCTION BOOK SWE (Swedish)					

(7) ATTACHMENTS / PRINTED MATTER / PACKING MATERIALS



(7) ATTACHMENTS / PRINTED MATTER / PACKING MATERIALS

No.	CODE	NAME	REMARKS	No.	CODE	NAME	REMARKS
41	XF3999101	INSERTION FOR AC POWER	1000032938	48	X60439121	BAG 630X630T	
42	XF0300101	INSERTION WEEE	1000043410	49	X57847021	PLUG LABEL (UK)	
43	XE1158101	BOOKLET (EXCEPT: HQ17, HQ27, XL3500, XL3520)	060168	50	LA6041001	SECURITY TAG (EXCEPT: XL3500, XL3510T)	1000013831
44	XE9932004	GOST STICKER 29X27 (RUS)	1000042917	51	XC5063020	PROTECTION CARTON (EXCEPT: HQ17, HQ27, XL3500, XL3520)	
45	XE9639001	REGISTRATION SHEET (USA)	1000029848	52	XD1536020	DIAL PAD D	050230
PACKING MATERIALS				53	XC9806020	PAD (XL3500T, XL3510T)	
46	XC5079042	COLOR CARTON (XL2600: USA)	1000014048	54	XE3392001	S99 PS FOAM PAD ASSY (XL2650H)	1000003855
	XE6542001	COLOR CARTON (XL2600: CAN)	1000014048	55	XE3393001	S99 HC PS FOAM PAD ASSY (XL2650H)	1000003855
	XC5079030	COLOR CARTON (XL2610: UK)		56	XZ5048001	NEEDLE BAR PAD D (OTHER)	1000003855
	XC5079040	COLOR CARTON (XL3500: USA, GUF)	050260		XZ5028001	NEEDLE BAR PAD D (HQ17, HQ27, XL3500, XL3520, BM2600, BM3500)	
	XC5079031	COLOR CARTON (XL3510: UK)		57	XD0242021	DVD STICKER (XL2620: AUS, SGP, XL2630: MYS, SGP, BC2100, BC2500: SGP, UAE, BM2600: HKG, MYS, SGP, UAE, TUR, CHN, AUS, NZL, IND BM3500: SGP, UAE, TUR, IND)	1000017604
	XC5079033	COLOR CARTON (BM3500: SIN, IND)		58	XE4997001	NEEDLE GUARD D (L25, COMFORT 25, XL2620, HQ17, HQ27, XL3500, XL3520, BM2600, BM3500)	1000008531
	XC5079034	CARTON (BM2600: SIN, AUS, HKG, TUR, MYS, IND)		59	XZ5097001	GOST STICKER 36X36 (RUS)	1000042917
	XC5152034	CARTON (BM2600)			XE9962004	GOST STICKER 45X42 (RUS)	1000042917
	XC5152030	CARTON (XL2600: OTHER)			XE4890101	NOT RETURN STICKER ENG	1000049325
	XC5152033	CARTON (XL2620)					
	XE4550101	COLOR CARTON (XL2610: OTHER)	1000025634				
	XC5152040	CARTON (XL2610: FRA)					
	XE3544001	CARTON (L25)	1000006418				
	XC9804022	CARTON (XL3500T)	050260				
	XC5152038	CARTON (BM3500)					
	XC5152031	CARTON (XL3500: OTHER)					
	XC5152037	CARTON (XL3520: OTHER)					
	XE4551001	COLOR CARTON (XL3510: OTHER)	1000007196				
	XC5152039	CARTON (XL3510: FRA)					
	XE3547001	CARTON (L35)	1000006418				
	XE2009001	COLOR CARTON (XL2650H)	ADD				
	XC9804023	COLOR CARTON (XL3510T)	ADD				
	XE3428001	COLOR CARTON (XL2600: TWN)	1000004242				
	XC5079038	COLOR CARTON (XL2620: AUS, SGP)	1000003856				
	XE3828001	CARTON (L15)	1000006061				
	XE3543001	CARTON (XL2600: RUS)	1000006418				
	XE3546001	CARTON (XL3500: RUS)	1000006418				
	XE3545001	CARTON (COMFORT 25)	1000006418				
	XE4618101	COLOR CARTON (XL2620SE)	1000011130				
	XE5160001	COLOR CARTON (XL2630)	1000008822				
	XE7676001	CARTON MODEL: HQ-17 (HQ17)	1000016436				
	XE7677001	CARTON MODEL: HQ-27 (HQ27)	1000016437				
	XE8691001	COLOR CARTON MODEL:XL-3520 (XL3520: CAN)	1000018361				
47	XC5081420	S22SF ASSY (OTHER)	1000031443				
	XD1798121	S29SF ASSY (XL2620, HQ17, HQ27, XL3500: GUF, XL3520: CAN, BM2600, BM3500)					

brother

XL2600/2610/2620/XL2650H/BM2600/L25
XL3500/3510/XL3510T/3520/BM3500/L35/L15/XL2620SE/comfort25/XL2630/HQ17/HQ27
21M04HF885S25/27