

# **PARTS CATALOGUE FOR**

**XR 35**

**XR 36/XR36-HC**

**GL-21**

**ULTRA STITCH**

# CONTENTS

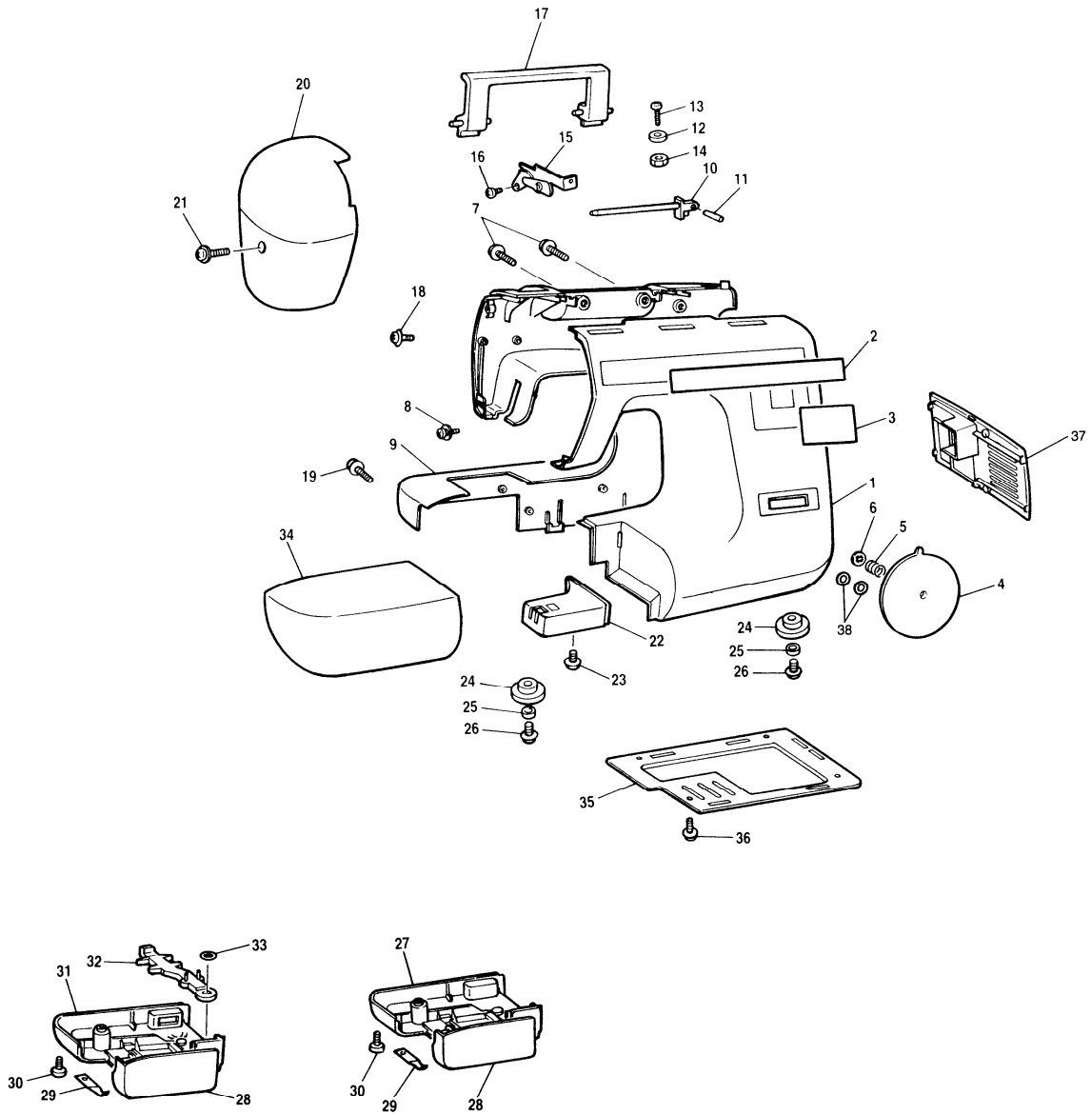
(1) PRINCIPAL PARTS.....	2
(2) UPPER SHAFT, NEEDLE BAR AND FEED MECHANISM .....	4
(3) SHUTTLE HOOK, BH AND FEED ADJUST MECHANISM .....	8
(4) PATTERN SELECTION MECHANISM.....	10
(5) LAMP, THREAD GUIDE AND MOTOR UNIT .....	12
(6) ACCESSORY .....	14

**Note on parts:**

We keep performance parts for this sewing machine for at least 8 years after this model is discontinued. Performance parts are the necessary parts to maintain the function of the sewing machine.

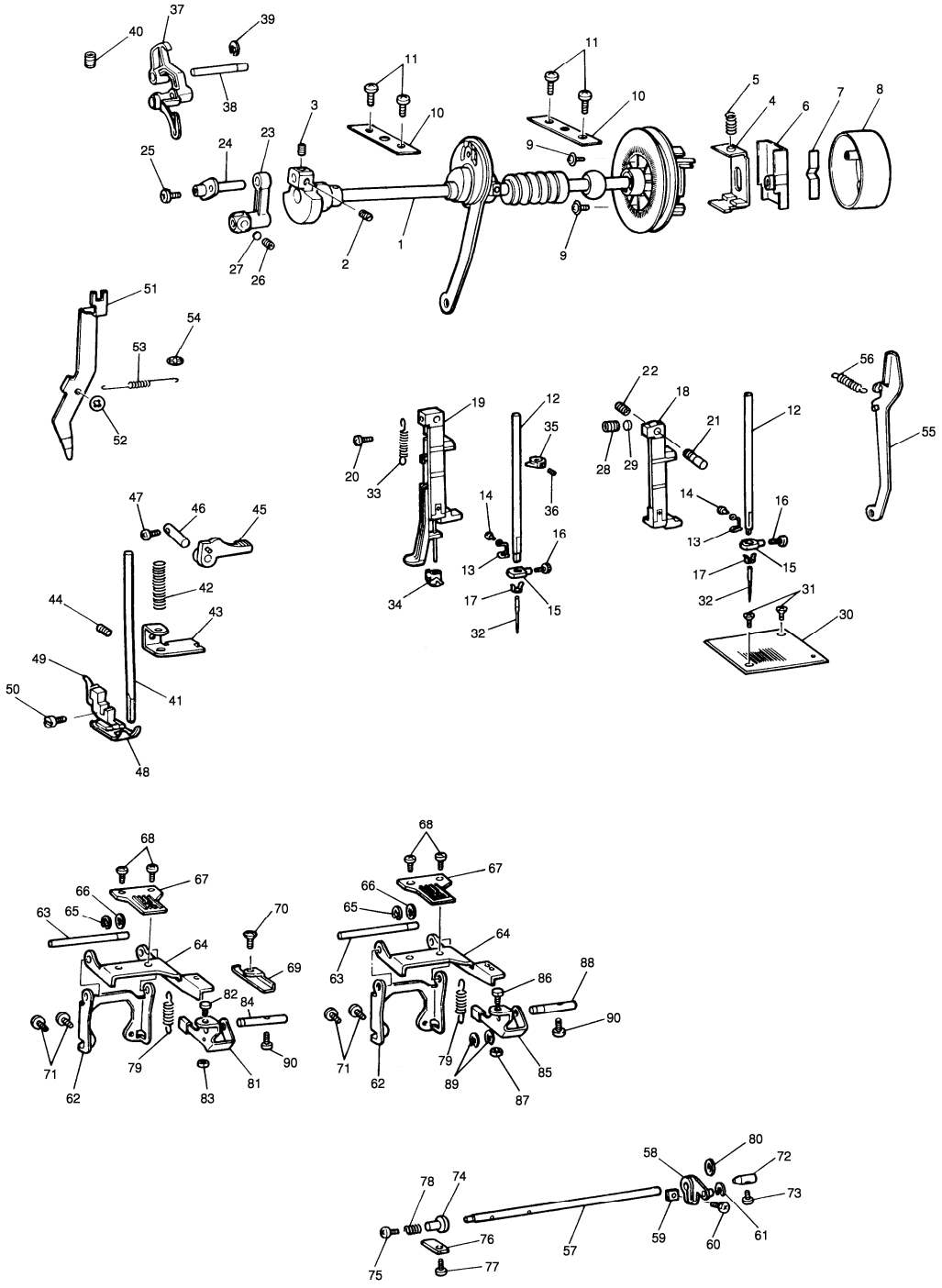
## (1) PRINCIPAL PARTS

No.	CODE	PARTS NAME	REMARKS	No.	CODE	PARTS NAME	REMARKS
1	X59746151	FRONT COVER (OTHER)		33	138384051	RETAINING RING, CS5	
	X59746152	FRONT COVER (ULTRA STITCH)		34	X59602051	ACCESSORY TABLE	
2	X59593056	DECORATION PLATE A (XR35)		35	X59108050	BASE PLATE (OTHER)	
	X59593095	DECORATION PLATE A (XR36)			X59465050	BASE PLATE (DUAL MOTOR)	
	XA2335069	DECORATION PLATE A (GL-21)		36	X57297051	SCREW	
	XA2335058	DECORATION PLATE A (ULTRA STITCH)		37	X59109051	SWITCH COVER A (OTHER)	
			X59109053		SWITCH COVER A (XR36: KOR, SAU)		
3	X59594057	DECORATION PLATE B (XR35, GL21)		38	X57355050	SPACER	
	X59594080	DECORATION PLATE B (XR36)					
	X59594087	DECORATION PLATE B (ULTRA STITCH)					
4	X59595052	PATTERN INDICATOR PLATE					
5	X50223051	SPRING					
6	146200051	RETAINING RING, CS4					
7	XA3337052	TAPTITE, CUP P M4X20					
8	053400806	SCREW, PAN (T WASHER) M4X8					
9	X59052151	REAR COVER					
10	X59053051	SPOOL PIN					
11	XA4471051	PIN					
12	X59864151	BOBBIN PRESSER					
13	052301606	SCREW, PAN (S/P WASHER) M3X16					
14	021300106	NUT 1 M3					
15	X59055051	THREAD GUIDE ASSEMBLY					
16	138433051	TAPTITE, PAN B M3X6					
17	X59101151	CARRYING HANDLE					
18	053400806	SCREW, PAN (T WASHER) M4X8					
19	052401406	SCREW, PAN (S/P WASHER) M4X14					
20	X59598051	FACE PLATE (OTHER)					
	X59665051	FACE PLATE (U.S.A.)					
	X59670051	FACE PLATE (U.K.)					
	XA5780051	FACE PLATE (CANADA)					
21	052401406	SCREW, PAN (S/P WASHER) M4X14					
22	X59601051	FOOT COVER					
23	X57300051	SCREW					
24	X58361051	RUBBER CUSHION					
25	X56474051	SPACER					
26	X57297051	SCREW					
27	X59103051	BED COVER					
		(U.S.A., CAN, ARG, CHL, BRA)					
28	X59104051	HINGED DOOR					
29	X53638151	SPRING					
30	052401406	SCREW, PAN (S/P WASHER) M4X14					
31	X59106051	BED COVER (OTHER)					
32	X59348051	DROP LEVER					
		(EXCEPT: USA., CAN, ARG, CHL, BRA)					

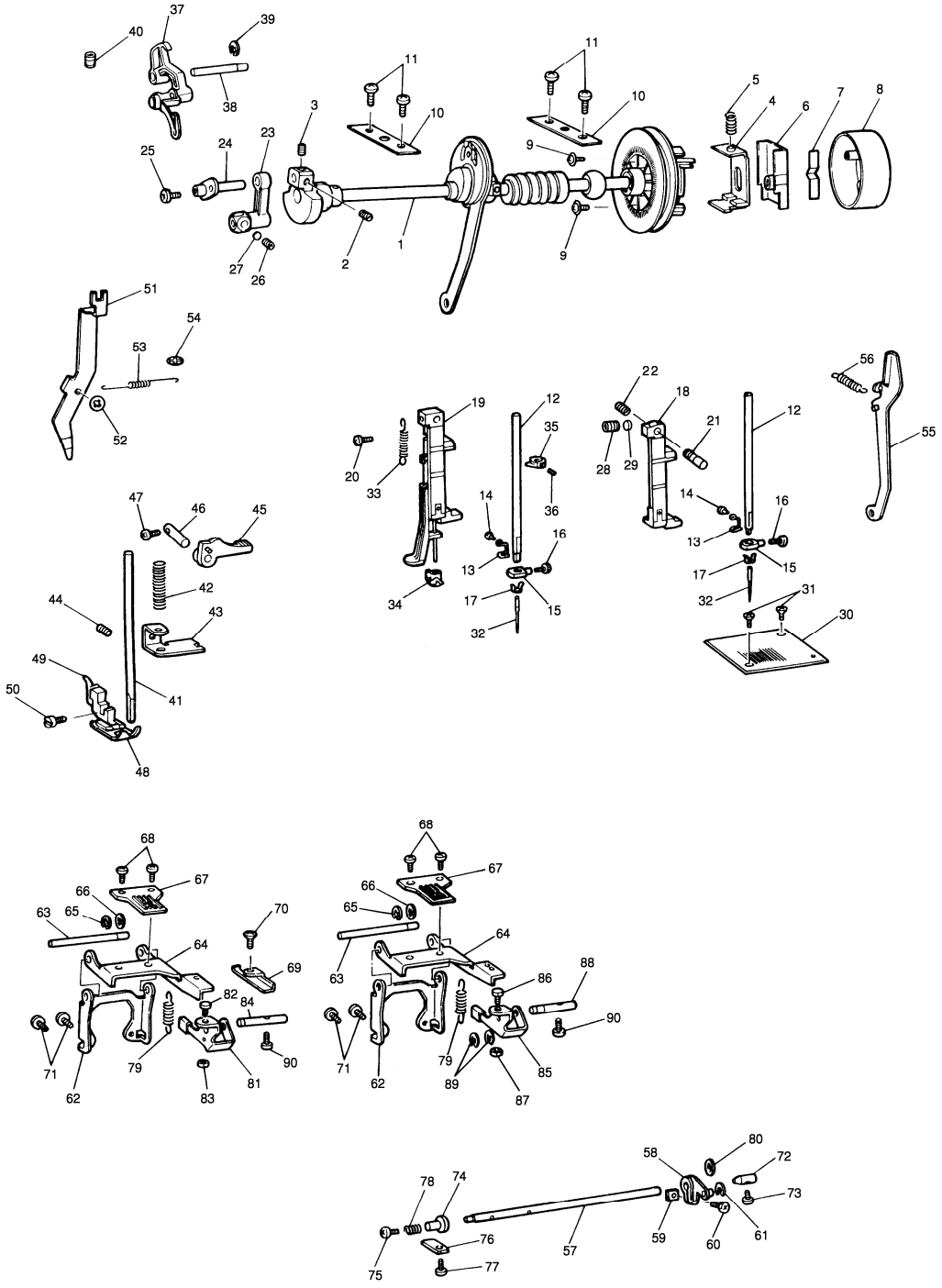


## (2) UPPER SHAFT, NEEDLE BAR AND FEED MECHANISM

No.	CODE	PARTS NAME	REMARKS	No.	CODE	PARTS NAME	REMARKS
1	XA0297251	UPPER SHAFT ASSY		44	013061212	SET SCREW (CP) M6X12	
2	X54013051	SET SCREW SM6.35		45	X51943151	PRESSER FOOT LIFTER	
3	014400632	SET SCREW SOCKET (CP) M4X6		46	X54552051	PRESSER FOOT LIFTER STUD	
4	X59284050	CLUTCH RELEASE		47	X57913051	TAPTITE, BIND S M4X16	
5	X59285051	SPRING	CHG	48	138135152	ZIGZAG PRESSER FOOT	
6	X59286051	CLUTCH RELEASE SWITCH		49	138134051	PRESSER FOOT HOLDER	
7	X59287051	SPRING	CHG	50	132730151	TIGHTENING SCREW 3.57	
8	X59289051	BALANCE WHEEL	CHG	51	X52653151	TENSION RELEASE PLATE C	
9	136869051	SCREW		52	120454051	RETAINING RING, CS3	
10	X57907051	BUSHING PRESSER		53	X51946051	SPRING	
11	X57908051	TAPTITE, BIND S M4X10		54	120454051	RETAINING RING, CS3	
12	136872151	NEEDLE BAR		55	X54375051	FEED CONNECTING ROD	
13	XA0974151	THREAD GUIDE, NEEDLE BAR		56	X54378051	SPRING	
14	X53053052	SCREW SM2.38		57	X57917050	HORIZONTAL FEED SHAFT	
15	129627051	NEEDLE CLAMP		58	X54381051	HORIZONTAL FEED SHAFT ARM	
16	131226051	NEEDLE CLAMP SCREW, SM3.57		59	X54384051	NUT	
17	125161180	NEEDLE GUIDE PLATE		60	060401416	SCREW BIND M4X14	
18	X54715250	NEEDLE BAR SUPPORTER		61	048050346	RETAINING RING E5	
19	X54713451	NEEDLE BAR SUPPORTER ASSEMBLY		62	X57919051	HORIZONTAL FEED PLATE	
20	060300616	SCREW BIND M3X6		63	X57920051	FEED STAND SHAFT	
21	X54368051	NEEDLE BAR SUPPORTER STUD		64	X59118051	FEED BAR	
22	X54369051	SPRING		65	048030346	RETAINING RING E3	
23	XA1289151	NEEDLE BAR CRANK ROD ASSY		66	146200051	RETAINING RING, CS4	
24	X59115151	NEEDLE BAR CRANK		67	X54389051	FEED DOG	
25	132051052	SCREW, FLAT SM3.57-40X7 L		68	060300416	SCREW BIND M3X4	
26	012400432	SET SCREW SOCKET (FT) M4X4		69	X59120051	FEED PLATE COVER (EXCEPT: USA., CAN, ARG, CHL, BRA)	
27	<del>400507050</del>	METAL PLATE	DEL	70	061300416	SCREW FLAT M3X4 (EXCEPT: USA., CAN, ARG, CHL, BRA)	
28	014400432	SET SCREW SOCKET (CP) M4X4		71	060400816	SCREW BIND M4X8	
29	138607050	WASHER, PLAIN		72	X54390051	TAPER POINT STUD R	
30	X57911051	NEEDLE PLATE		73	X57913051	TAPTITE, BIND S M4X16	
31	X50487051	SCREW M4		74	X54391150	TAPER POINT STUD L	
32	117914114	NEEDLE		75	062400416	SCREW, PAN M4X4	
33	X50476051	SPRING		76	137734051	PRESSER PLATE A	
34	X54817102	HOOK ASSEMBLY		77	X57908051	TAPTITE, BIND S M4X10	
35	X52882150	THREAD POSITIONER		78	X56613051	SPRING	
36	014400432	SET SCREW SOCKET (CP) M4X4		79	X54393151	SPRING	
37	X52651151	THREAD TAKE-UP ASSEMBLY		80	X53330050	WASHER	
38	X59254051	THREAD TAKE-UP LEVER STUD		81	X59122051	VERTICAL FEED PLATE (EXCEPT: U.S.A., CAN, ARG, CHL, BRA)	
39	048040346	RETAINING RING E4		82	X59124051	ADJUSTING SCREW (EXCEPT: U.S.A., CAN, ARG, CHL, BRA)	
40	014400632	SET SCREW SOCKET (CP) M4X6					
41	128437050	PRESSER BAR					
42	X57914151	PRESSER BAR SPRING					
43	X57915051	PRESSER BAR BRACKET					



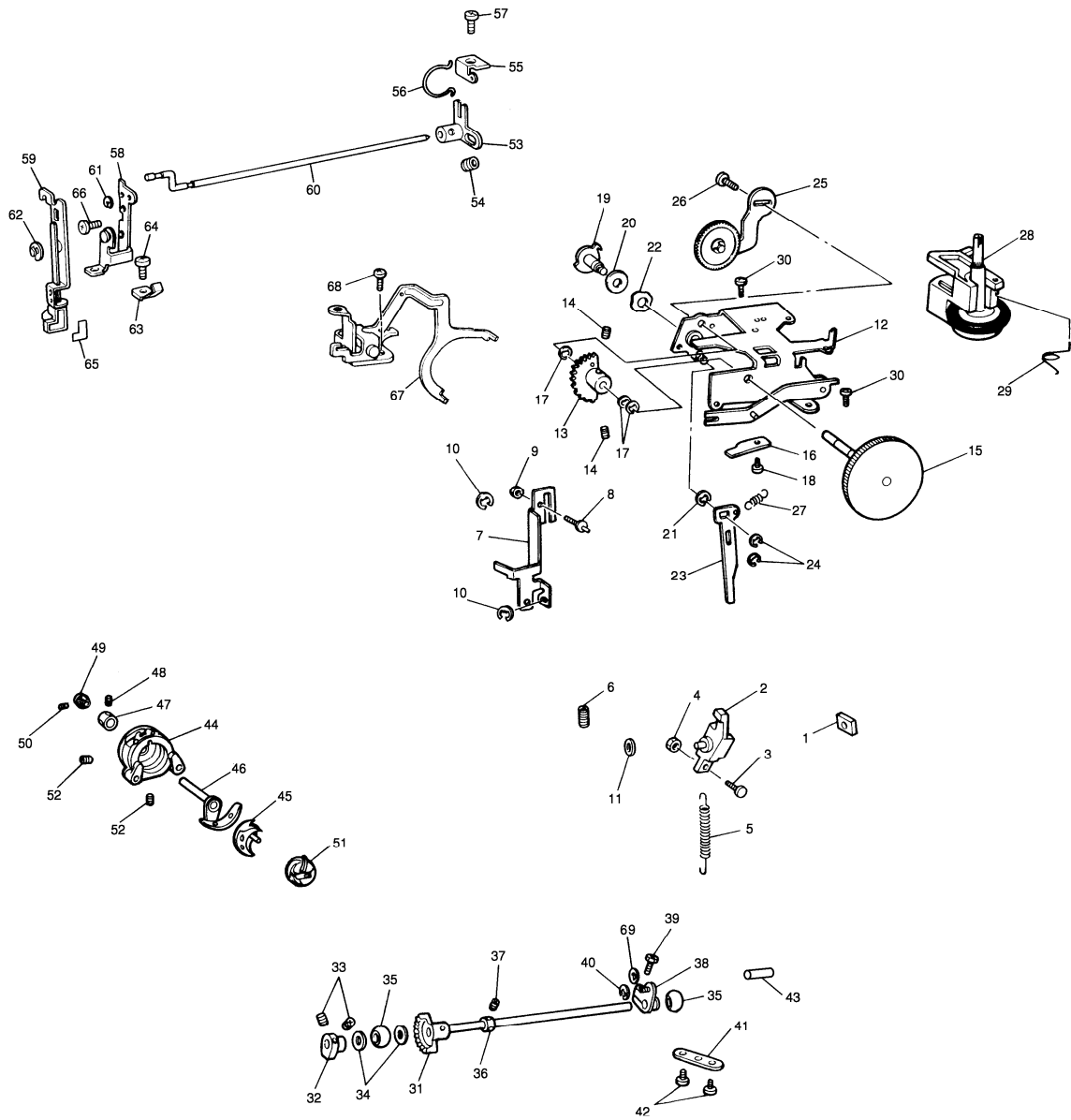






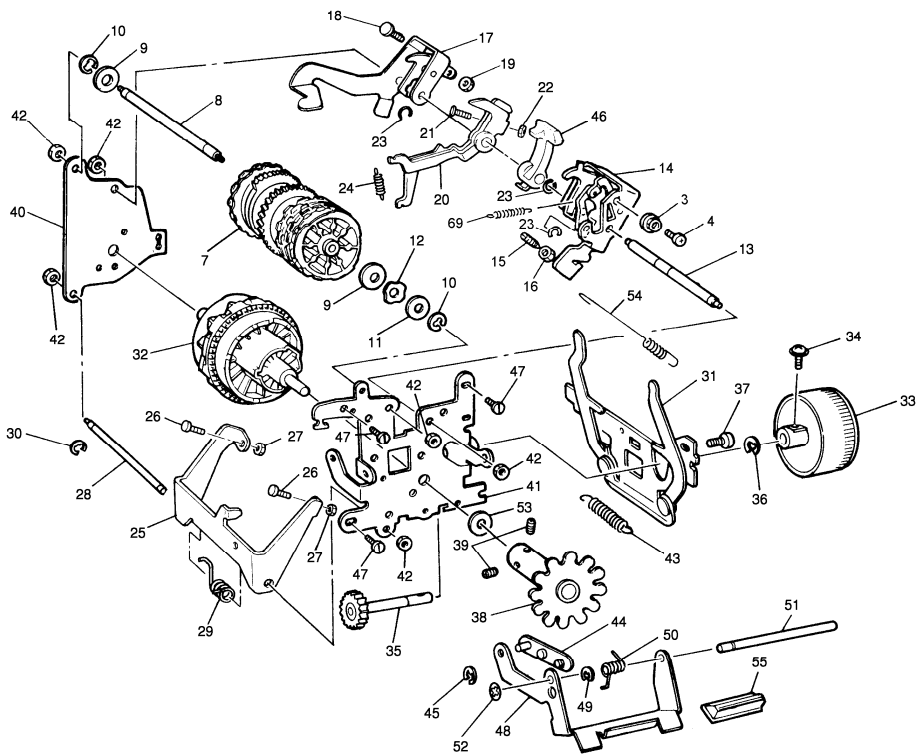
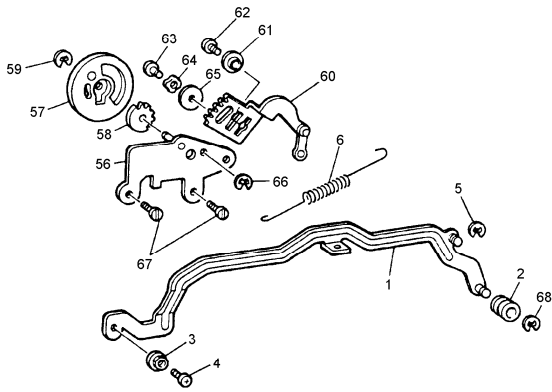
### (3) SHUTTLE HOOK, BH AND FEED ADJUST MECHANISM

No.	CODE	PARTS NAME	REMARKS	No.	CODE	PARTS NAME	REMARKS
1	X55473051	FEED SQUARE BLOCK		44	X56767051	SHUTTLE RACE ASSEMBLY	
2	X59710051	FEED REGULATOR ASSEMBLY		45	128581053	SHUTTLE HOOK	
3	X59200051	SCREW		46	X54429051	SHUTTLE DRIVER ASSEMBLY	
4	X56960051	NUT 4		47	X54433051	COLLAR	
5	X59127051	SPRING		48	014400432	SET SCREW SOCKET (CP) M4X4	
6	014400632	SET SCREW SOCKET (CP) M4X6		49	X54514050	SHUTTLE DRIVER SHAFT GEAR	
7	X59604051	REVERSE SEWING LEVER		50	151602051	SET SCREW, SM4.37	
8	X59223051	SCREW		51	128582053	BOBBIN CASE ASSEMBLY	
9	X56960051	NUT 4		52	014500532	SET SCREW SOCKET (CP) M5X5	
10	048040346	RETAINING RING E4		53	136994351	BH CHANGE ARM	
11	X53330050	WASHER		54	014400432	SET SCREW SOCKET (CP) M4X4	
12	X59130051	FEED BRACKET PLATE ASSEMBLY		55	136996151	BH NOTCHED SPRING PLATE	
13	X51965151	FEED DIAL GEAR A ASSY	CHG	56	XZ0011051	BH NOTCH SPRING	
14	014400432	SET SCREW SOCKET (CP) M4X4		57	060400816	SCREW BIND M4X8	
15	X59184151	FEED DIAL	CHG	58	X54458151	BH STOPPER PLATE ASSEMBLY	
16	X54979051	SPRING		59	X57236051	BH LEVER ASSEMBLY	
17	048040346	RETAINING RING E4		60	X54464151	BH CHANGE SHAFT	
18	060400416	SCREW, BIND M4X4		61	048025346	RETAINING RING E2.5	
19	X57803051	BH ADJUSTING ECCENTRIC STUD		62	048050346	RETAINING RING E5	
20	128491051	WASHER, PLAIN		63	X54461151	BH SPRING	
21	048050346	RETAINING RING E5		64	060400616	SCREW BIND M4X6	
22	X57150051	WASHER		65	131428051	BH LEVER PLATE	
23	X57422051	BH ADJUSTING LEVER		66	X57908051	TAPTITE, BIND S M4X10	
24	048030346	RETAINING RING E3		67	X59138051	BH STOPPER ASSEMBLY	
25	X59198051	FEED GEAR B ASSEMBLY		68	X57908051	TAPTITE, BIND S M4X10	
26	060401416	SCREW BIND M4X14		69	X53330050	WASHER	
27	X51978051	SPRING					
28	X59189051	BOBBIN WINDER ASSEMBLY					
29	X52102051	SPRING					
30	X57908051	TAPTITE, BIND S M4X10					
31	X58483051	LOWER SHAFT ASSEMBLY					
32	X54424050	VERTICAL FEED CAM					
33	014400432	SET SCREW SOCKET (CP) M4X4					
34	X51383050	WASHER, THRUST					
35	X52664050	LOWER SHAFT BUSHING					
36	137768151	SET SCREW COLLAR					
37	014400432	SET SCREW SOCKET (CP) M4X4					
38	XA1319051	LOWER SHAFT CRANK ASSEMBLY					
39	X59255051	BOLT M4X14					
40	048050346	RETAINING RING E5					
41	X57943051	BUSHING PRESSER					
42	060401016	SCREW BIND M4X10					
43	XA0532051	SHAFT					



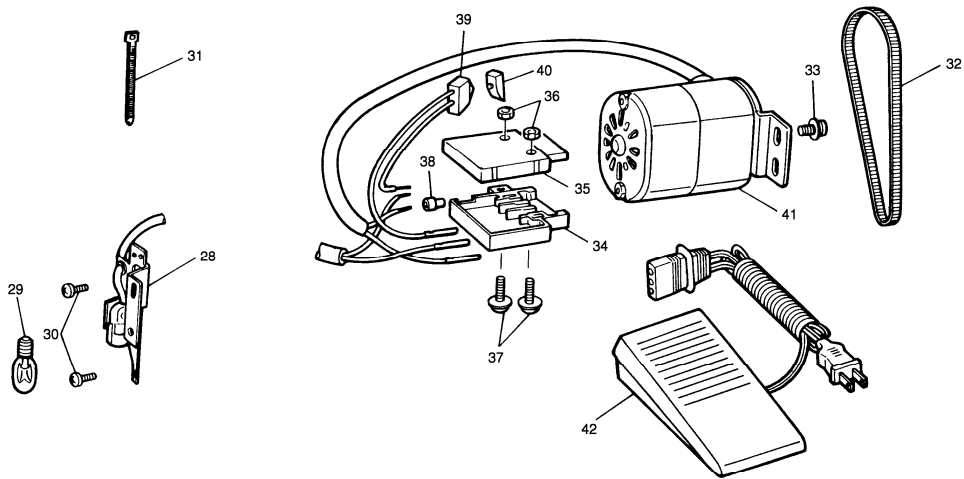
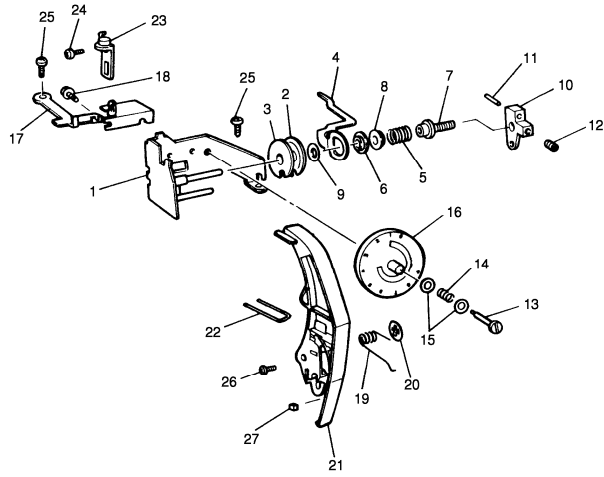
## (4) PATTERN SELECTION MECHANISM

No.	CODE	PARTS NAME	REMARKS	No.	CODE	PARTS NAME	REMARKS
1	X59732051	ZIGZAG CONNECTING ROD		44	X59616051	REVERSE SEWING LEVER B ASSEMBLY	
2	X59735051	ZIGZAG CONNECTING ROD ROLLER		45	048040346	RETAINING RING E4	
3	X50559050	ZIGZAG ADJUSTING NUT		46	X56868051	BHZ FINGER	
4	062301006	SCREW PAN M3X10		47	X57908051	TAPTITE, BIND S M4X10	
5	048040346	RETAINING RING E3		48	X59612051	REVERSE SEWING LEVER A ASSEMBLY	
6	X52005151	SPRING		49	048030346	STOP RING	
7	X59143051	PATTERN CAM ASSEMBLY		50	X59620051	SPRING	
8	X59788051	PATTERN CAM SHAFT		51	XA0060051	REVERSE SEWING LEVER SHAFT	
9	128491051	WASHER, PLAIN		52	146200051	RETAINING RING, CS4	
10	048050346	RETAINING RING E5		53	X53330050	WASHER	
11	X59743051	WASHER		54	X56887051	SPRING	
12	X59765051	WASHER, WAVE SPRING		55	X59615051	REVERSE SEWING BUTTON	
13	X56863051	FINGER SHAFT		56	X59723051	ZIGZAG DIAL HOLDER ASSEMBLY	
14	X59736051	Z FINGER FRAME ASSEMBLY		57	X59725051	ZIGZAG DIAL	
15	125322051	SET SCREW (FT) SM3.57		58	X59726050	ZIGZAG DIAL GEAR	
16	021670102	NUT 1 SM3.57-40		59	048040346	RETAINING RING E4	
17	X59148051	F FINGER FRAME ASSEMBLY		60	X59727051	ZIGZAG GEAR LEVER ASSEMBLY	
18	120258051	SCREW SM3.57		61	X59730051	COLLAR	
19	021670102	NUT 1 SM3.57-40		62	060400616	SCREW BIND M4X6	
20	X52053051	BHF FINGER ASSEMBLY		63	X59731051	STUD	
21	120258051	SCREW		64	137991051	SPRING WASHER	
22	021670102	NUT 1 SM3.57-40		65	025040332	WASHER PLAIN L 4	
23	137191051	STOP RING		66	048030346	RETAINING RING E3	
24	X52058051	SPRING		67	X57908051	TAPTITE, BIND S M4X10	
25	X54991151	RELEASE LEVER		68	048020346	RETAINING RING E2	
26	120258051	SCREW SM3.57		69	X59741051	SPRING	
27	021670102	NUT 1 SM3.57-40					
28	X52063151	RELEASE LEVER SHAFT					
29	X52064051	SPRING					
30	048040346	RETAINING RING E4					
31	X57485051	SELECTING LEVER HOLDER ASSY					
32	X58057051	SELECTING CAM 21 ASSY					
33	X59154051	PATTERN SELECTING DIAL					
34	052401406	SCREW, PAN (S/P WASHER) M4X14					
35	X59155051	SELECTING GEAR					
36	048050346	RETAINING RING E5					
37	060400616	SCREW BIND M4X6					
38	X59621051	INDICATION GEAR					
39	014400632	SET SCREW SOCKET (CP) M4X6					
40	X56881051	UNIT BASE B ASSEMBLY					
41	X59609051	UNIT BASE F ASSEMBLY					
42	021400205	NUT 2 M4					
43	X56886051	SPRING					



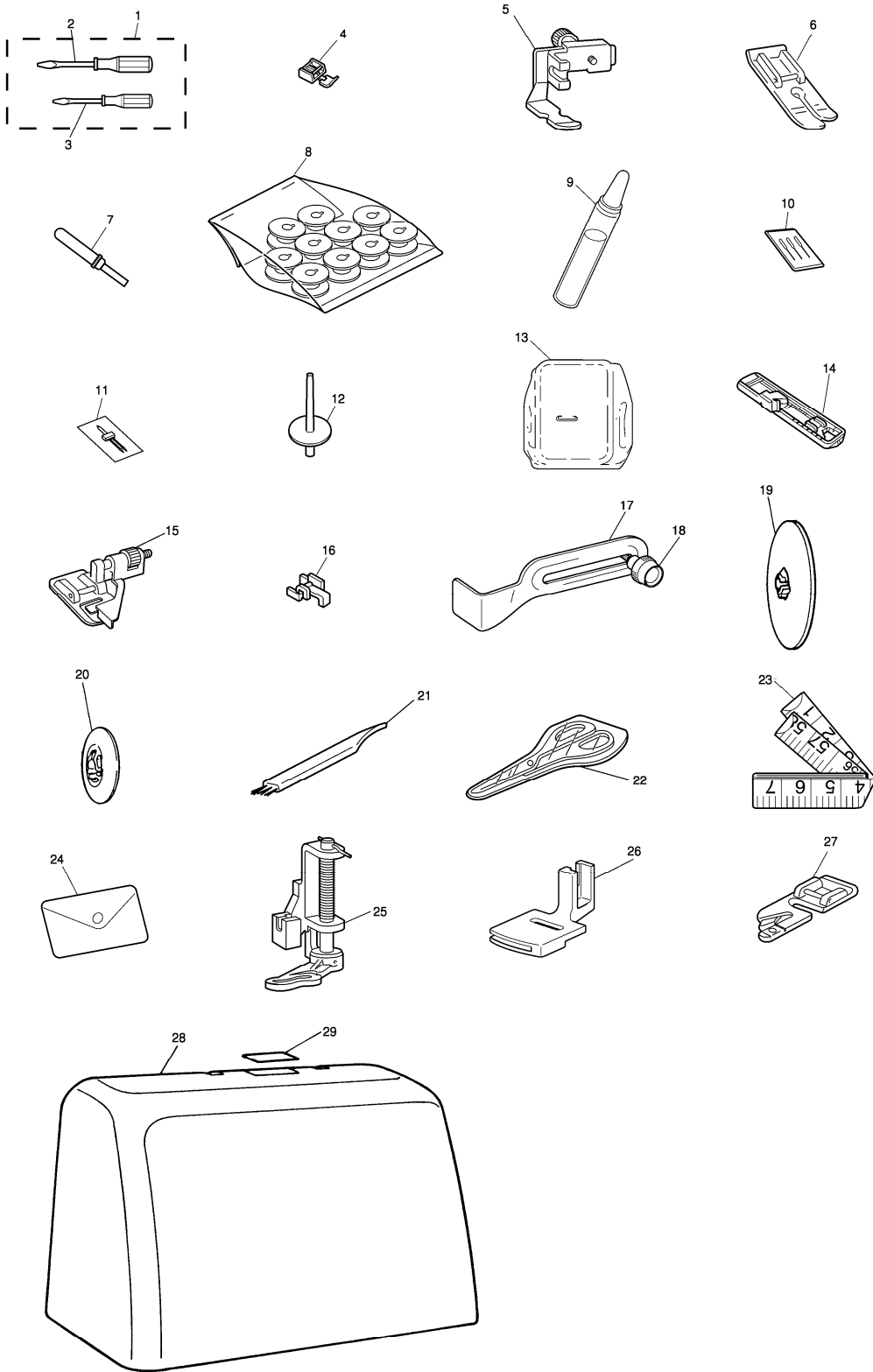
## (5) LAMP, THREAD GUIDE AND MOTOR UNIT

No.	CODE	PARTS NAME	REMARKS	No.	CODE	PARTS NAME	REMARKS
1	X59164051	THREAD GUARD ASSEMBLY		40	X57554051	PW SWITCH KEY-TOP	
2	XA0084051	TENSION DISC B		41	XA1286051	MOTOR: MM-278-54 (KOR)	
3	XA0083051	TENSION DISC A			J02051051	MOTOR: MM-901-83 (BRA)	
4	X52122051	TENSION RELEASER PLATE B			X57041151	MOTOR: MM-BU1-4C (U.S.A., BRA)	
5	X55842051	SPRING			X55352151	MOTOR: MM-BC1-5 (CAN)	
6	137881051	TENSION DISC WASHER			XA1228051	MOTOR: MM-292-51 (SIN)	
7	X50765251	THREAD TENSION CONTROL SCREW			J01719051	MOTOR:MM-901-82 (SAU)	
8	X50702050	SPRING WASHER			XC1696051	MOTOR: MM-278-49 (ARG, CHL, ZAF, RUS, CHN, TUR, UAE)	
9	025060132	WASHER PLAIN S 6			XC1694051	MOTOR: MM-278-42 (IRQ)	
10	X52643051	TENSION CONTROL NUT			XC1688051	MOTOR: MM-271-72 (AUT, ULTRA STITCH)	
11	047260850	PIN SPRING ROLL AW2.5		42	XC6659151	FOOT CONTROLLER: FC-317-21-LF (U.S.A., CAN, BRA)	
12	012400432	SET SCREW SOCKET (FT) M4X4			XA6400151	FOOT CONTROLLER:FC-307-51 (OTHER)	
13	X52120051	TENSION DIAL SHAFT			XA6402051	FOOT CONTROLLER COMPLETE (U.K.)	
14	X59290051	SPRING			XA6404051	FOOT CONTROLLER COMPLETE (AUSTRALIA, NEW ZEALAND)	
15	226392050	WASHER			XA6434051	FOOT CONTROLLERFC-307-81 (SAU, BRA)	
16	X59166051	TENSION DIAL			XA6418051	FOOT CONTROLLER COMPLETE (GERMANY)	
17	X59167051	THREAD GUARD SUPPORTER PLATE			XA6416151	FOOT CONTROLLER:FC-307-60 (KOR)	
18	060300416	SCREW BIND M3X4			XA6428151	FOOT CONTROLLER:FC-307-66 (CHN)	
19	X59168151	THREAD TAKE-UP SPRING					
20	138384051	RETAINING RING, CS5					
21	X59624151	THREAD GUIDE COVER					
22	X59170050	THREAD GUARD WIRE					
23	X59226151	BOBBIN WINDER GUIDE ASSY	CHG				
24	XC4433051	SCREW, PAN (T WASHER) M3X6					
25	X57908051	TAPTITE, BIND S M4X10					
26	060400816	SCREW BIND M4X8					
27	X59786050	GUM					
28	XC0496051	ASSY: SEWING LAMP E12C#008 (110-120V)	CHG				
	X59291051	SEW-LIGHT ASSEMBLY (220-240V)					
29	X53061050	SEW-LIGHT BULB (110-120V)					
	205336050	SEW-LIGHT BULB L-4 (220-240V)					
30	X57908051	TAPTITE, BIND S M4X10					
31	X53169050	BAND					
32	130944051	BELT					
33	XA3004051	BOLT, (S/P WASHER) M5X12					
34	X59176151	3P SOCKET BODY					
35	X59177051	3P SOCKET COVER					
36	021400205	NUT 2 M4					
37	052403006	SCREW, PAN (S/P WASHER) M4X30					
38	214808050	CONNECTOR: #3	CHG				
39	X59178051	PW SWITCH ASSEMBLY (110-120V)					
	X59337051	PW SWITCH ASSEMBLY (220-240V)					



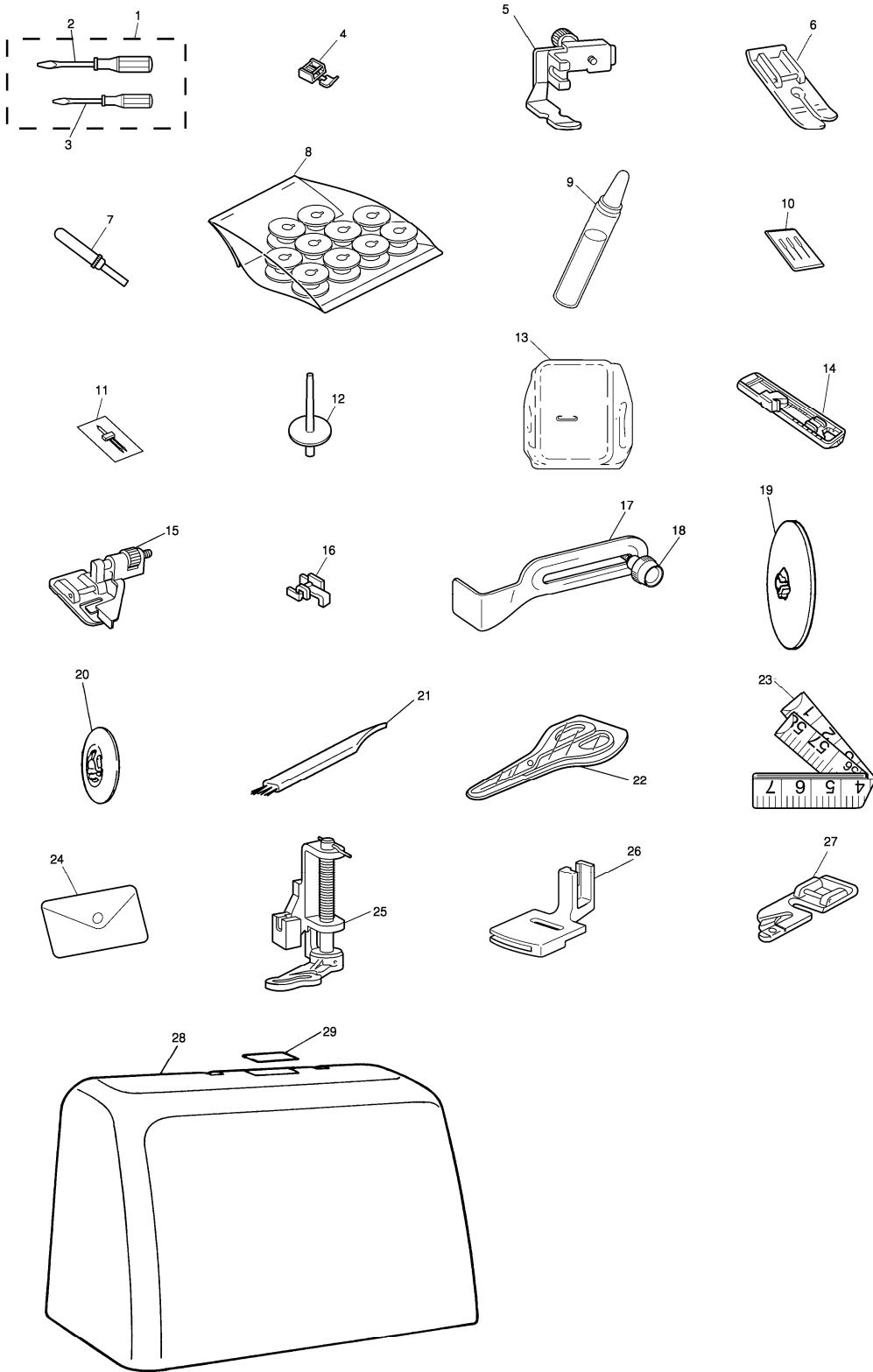
## (6) ACCESSORY

No.	PARTS No.	PARTS NAME	REMARKS	No.	PARTS No.	PARTS NAME	REMARKS
ATTACHMENTS							
1	X55466051	SCREW DRIVER ASSY		26	XA6123001	GATHERING FOOT (WITH UPC)	
2	X55467051	SCREW DRIVER			XA6123002	GATHERING FOOT (WITHOUT UPC)	
3	X55468051	SCREW DRIVER S		27	X59371051	NARROW HEMMER FOOT (EXCEPT: USA., CAN, ARG, CHL, BRA)	
4	X59370051	ZIPPER FOOT			X81014002	NARROW HEMMER FOOT (WITHOUT UPC)	
5	128585051	ZIPPER FOOT		28	X52769652	CASE ASSEMBLY (XR35: SAU, SIN, XR36: ZAF, AUT, RUS, KOR, SAU, IRQ, UAE, ULTRA STITCH)	CHG
6	X59374051	STRAIGHT STITCH PRESSER FOOT (EXCEPT: U.S.A., CAN, ARG, CHL, BRA, ULTRA STITCH)		29	X52762051	MEDALLION (XR35: SAU, SIN, XR36: ZAF, AUT, RUS, KOR, SAU, IRQ, UAE, ULTRA STITCH)	
7	X54243001	SEAM RIPPER (EXCEPT: U.S.A., CAN, BRA)			XA6060001	PICOT PRESSER (ULTRA STITCH)	
8	X52800150	BOBBIN			X53189001	PRESSER FOOT ASSEMBLY (ULTRA STITCH)	
	XA5537052	BOBBIN (WITHOUT UPC)		PRINTED MATTER			
9	X55465051	OILER (EXCEPT: U.S.A., CAN, ARG, CHL, BRA, KOR)			130800051	BAG 220X310 (EXCEPT: KOR)	ADD
10	X57117051	NEEDLE SET (3 PCS.) (OTHER)			X53984057	DUST COVER ASSY (ARG, SIN, CHL, RUS, CHN, TUR, XR36: SAU)	ADD
	X52281051	NEEDLE SET (ULTRA STITCH)			X53984058	DUST COVER ASSY (OTHER)	ADD
11	X57521001	NEEDLE PACKAGE (1 PCE) (OTHER)			194232111	INSTRUCTION BOOK (EXCEPT: AUT, RUS, KOR)	
	X58604001	NEEDLE PACKAGE (3 PCE) (KOR)			194232012	INSTRUCTION BOOK (CAN)	
12	130920051	EXTRA SPOOL PIN			194258016	INSTRUCTION BOOK (AUT, RUS)	
13	XA3442151	FEED DOG COVER (USA., CAN, ARG, CHL, BRA)			XC1670001	INSTRUCTION BOOK (IRQ)	
14	XA4911151	BH PRESSER FOOT ASSY			XC0380051	WARRANTY CARD (U.S.A.)	
15	X59372051	BLIND STITCH FOOT (SIN, SAU, ZAF, AUT, RUS, KOR, CHN, TUR, IRQ, UAE, ULTRA STITCH)			XC4601051	WARRANTY CARD (ZAF)	
	XA7000002	BLIND STITCH FOOT (WITHOUT UPC)			UH385100	WARRANTY CARD EUR (UAE)	
16	X59375151	BUTTON SEWING FOOT (SIN, SAU, ZAF, AUT, RUS, KOR, CHN, TUR, IRQ, UAE, ULTRA STITCH)			181401104	INSERTION WARRANTY COUPON (USA., CAN, ARG, CHL, BRA)	
17	128590051	CLOTH GUIDE (SIN, SAU, ZAF, AUT, RUS, KOR, CHN, TUR, IRQ, UAE, ULTRA STITCH)			181401172	INSERTION WARRANTY COUPON (CAN)	
18	128591051	THUMB SCREW (SIN, SAU, ZAF, AUT, RUS, KOR, CHN, TUR, IRQ, UAE, ULTRA STITCH)			181401109	INSERTION WARRANTY COUPON (SIN)	
19	130012053	SPOOL PRESSER A		PACKING MATERIALS			
20	130013153	SPOOL PRESSER B			X60415059	COLOR CARTON (U.S.A., ARG)	
21	X59476051	CLEANING BRUSH (ULTRA STITCH)			X60464022	CARTON (RUS, CHN, TUR, XR36: SAU)	
22	XA5771051	SCISSORS			X60717053	CARTON (XR35: SAU)	
23	XA5772051	MEASURE			X60717059	CARTON (XR36: ZAF, AUT, RUS, SAU)	
24	XC4487051	ACCESSORY BAG			X60717060	CARTON (XR35: SIN)	
25	X81021001	QUILTING FOOT (WITH UPC)			X60717062	CARTON (KOR)	
	X81021002	QUILTING FOOT (WITHOUT UPC)			X60717072	CARTON (ULTRA STITCH)	CHG
					X60717077	CARTON (IRQ)	
					X60949076	CARTON (XR35: SIN)	
					X60949077	CARTON (XR36: SIN)	
					X60949081	CARTON (OTHER)	









XR35  
XR36/XR36-HC  
GL-21  
UNTRA STITCH