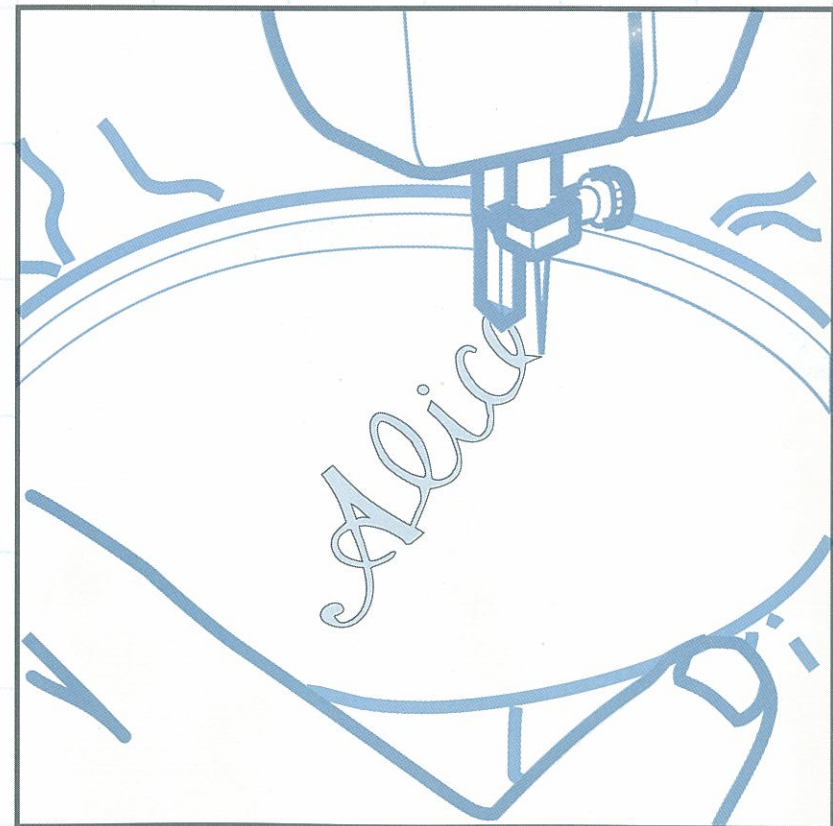


OPERATION MANUAL

MANUAL DE INSTRUCCIONES



brother[®]

English
Spanish
194232-111
Printed in Taiwan

"IMPORTANT SAFETY INSTRUCTIONS"

When using the sewing machine, basic safety precautions should always be followed, including the following:

"Read all instructions before using."

DANGER — To reduce the risk of electric shock:

1. The sewing machine should never be left unattended when plugged in. Always unplug this sewing machine from the electrical outlet immediately after using and before cleaning.
2. Always unplug before changing the light bulb. When replacing the bulb in models with LCD displays, replace it with a bulb rated 2.4 watts; replace the bulb in models without LCD displays with one rated 15 watts.

WARNING — To reduce the risk of burns, fire, electric shock, or injury to persons:

1. Do not allow this machine to be used as a toy. Close attention is necessary when the sewing machine is used by or near children.
2. Use this sewing machine only for its intended use as described in this manual. Use only accessories recommended by the manufacturer as contained in this manual.
3. Never operate this sewing machine if it has a damaged cord or plug, if it is not working properly, if it has been dropped or damaged, or dropped into water. Return the sewing machine to the nearest authorized dealer or service center for examination, repair, electrical or mechanical adjustment.
4. Never operate the sewing machine with any of the air openings blocked. Keep the ventilation openings of the sewing machine and foot controller free from the accumulation of lint, dust and loose cloth.
5. Never drop or insert any object into any openings.
6. Do not use this machine outdoors.
7. Do not operate this machine where aerosol (spray) products are being used or where oxygen is being administered.
8. To disconnect, turn the main switch to the symbol "O" position which represents off, then remove plug from outlet.
9. Do not unplug by pulling on the cord. To unplug, grasp the plug and pull, not the cord.
10. Keep fingers away from all moving parts. Special care is required around the sewing machine needle.
11. Always use the proper needle plate. The wrong plate can cause the needle to break.
12. Do not use a bent needle.
13. Do not pull or push the fabric while stitching. It may deflect the needle causing it to break.
14. Switch the sewing machine to the off, symbol "O" position when making any adjustments in the needle area, such as threading the needle, changing the needle, threading the bobbin, or changing the presser foot.
15. Always unplug the sewing machine from the electrical outlet when removing covers, lubricating, or when making any other user service adjustments mentioned in this instruction manual.

"SAVE THESE INSTRUCTIONS"


"This sewing machine is intended for household use."

FOR USERS IN THE UK, EIRE, MALTA AND CYPRUS ONLY.


If your sewing machine is fitted with a 3 pin non-rewireable BS plug then please read the following.

IMPORTANT

If the available socket outlet is not suitable for the plug supplied with this equipment, it should be cut off and appropriate three pin plug fitted. With alternative plugs an approved fuse must be fitted in the plug.

NOTE: The plug severed from the main leads must be destroyed as a plug with bared flexible cords is hazardous if engaged in a live socket outlet. In the event of replacing the plug fuse, use a fuse approved by ASTA to BS 1362, i.e. carrying the  mark, rating as marked on plug.

Always replace the fuse cover. Never use plugs with the fuse cover removed.

WARNING: DO NOT CONNECT EITHER WIRE TO THE EARTH TERMINAL WHICH IS MARKED WITH THE LETTER 'E', BY THE EARTH SYMBOL  OR COLORED GREEN OR YELLOW.

The wires in these main leads are colored in accordance with the following code:

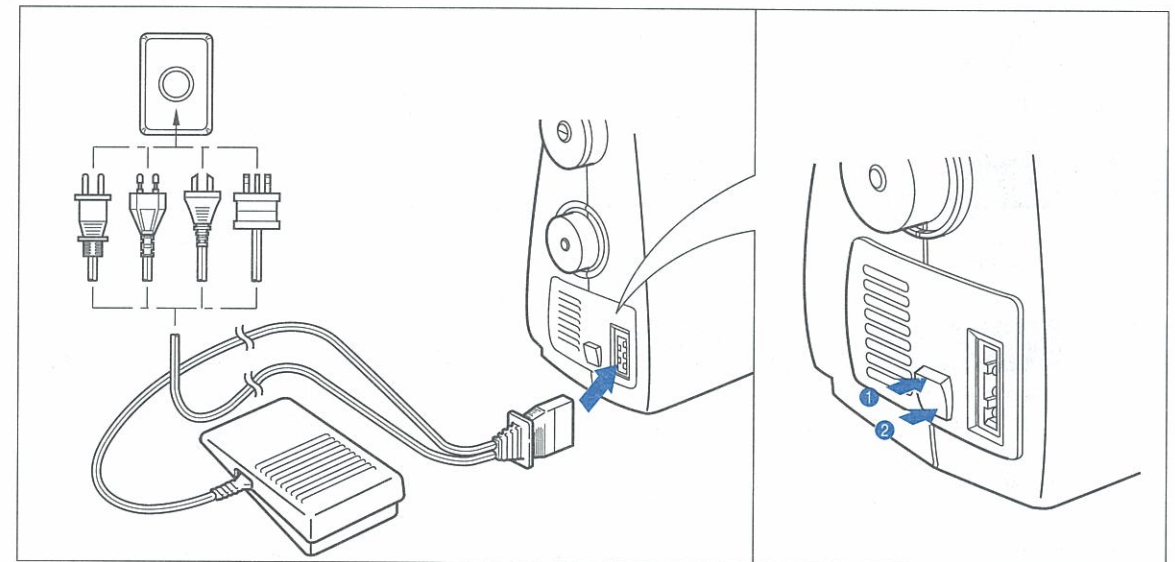
Blue	Neutral
Brown	Live

As the colours of the wiring in the mains lead of this appliance may not correspond with the coloured markings identifying the terminals in your plug, proceed as follows:

The wire which is coloured blue must be connected to the terminal which is marked with the letter 'N' or coloured black or blue.

The wire which is coloured brown must be connected to the terminal which is marked with the letter 'L' or coloured red or brown.

Connecting Plugs and Main Power / Sewing Light Switch



1. Connect the three-prong plug into the machine.
2. Connect the electrical supply plug into a wall outlet.

- When leaving the sewing machine unattended, the main switch of the machine must be switched off or the plug must be removed from the socket outlet.

Turn on or off the switch for the main power and sewing light.

- ① Turn on
- ② Turn off

- When servicing the sewing machine, or when removing covers or changing lamps, the machine or the electrical set must be disconnected from the supply by removing the plug from the socket outlet.

TABLE OF CONTENTS

KNOWING YOUR SEWING MACHINE

Principal parts	1
Accessories	3
OPERATING YOUR SEWING MACHINE	4
Connecting Plugs	4
Main Power and Sewing Light Switches	5
Foot Controller	5
Replacing the Needle	6
Checking the Needle	6
Changing the Presser Foot	7
Converting to Free-arm Style	7
VARIOUS CONTROLS	8
Pattern Selection Dial	8
Electronic Display (1 Line LCD)	11
Electronic Display (4 Line LCD)	12
Stitch Length Dial	18
Stitch Width Dial	18
Reverse Sewing Button	19
THREADING THE MACHINE	20
Winding the bobbin	20
Lower Threading	22
Upper Threading	23
Using needle threader (when the machine is equipped with a needle threader)	24
Drawing Up Lower Thread	25
Twin Needle Sewing	26
Thread Tension	27
RELATIVE CHART OF SEWING FABRICS, NEEDLES AND THREADS	28

STRAIGHT AND ZIGZAG STITCHING

Straight Stitching	30
Zigzag Stitching	33

BUILT-IN STITCHES

Blind Hem Stitching	34
Shell Tuck Stitching	35
Elastic stitching	36
Double Action Stitching	37
Scallop Stitching	37
Decorative Stitching	38
Patch work	39
Overedge Stitching	40
Feather Stitching	41
Triple Zigzag Stretch Stitching	42

BUTTONHOLE AND BUTTON SEWING

Making a Buttonhole	43
Buttonhole Fine Adjustment	45
Button Sewing	47

USING ATTACHMENTS AND APPLICATIONS

Zipper Insertion	48
Gathering	49
Darning	49
Appliques	50
Monogramming and Embroidering	51

MAINTENANCE

Changing the Bulb	53
Oiling	54
Cleaning	55
Performance Checklist	56
Repacking the machine	61

INDEX

INDICE

CONOZCA SU MAQUINA DE COSER

Elementos principales	1
Accesorios	3
Funcionamiento de la máquina de coser	4
Conexión de los enchufes	4
Interruptor principal y de luz	5
Pedal	5
Cambio de la aguja	6
Verificación de la aguja	6
Cambio del prensatelas	7
Conversión en modalidad de brazo libre	7
Distintos mandos	8
Selector de puntadas	8
Pantalla electrónica	11
(Pantalla de una línea)	11
Pantalla electrónica (Pantalla de cuatro líneas)	12
Selector de largo de puntada	18
Selector de ancho de puntada	18
Pulsador de retroceso	19
Enhebrado de la máquina	20
Bobinado de la canilla	20
Enhebrado inferior	22
Enhebrado superior	23
Uso del enhebrador (Cuando la máquina está provista de un enhebrador de aguja)	24
Para sacar el hilo de la canilla	25
Costura con aguja doble	26
Tensión de los hilos	27
Tabla de relación entre tejidos, hilos y agujas	29

PUNTADAS RECTAS Y ZIGZAG

Puntadas rectas	30
Puntadas zigzag	33

PUNTADAS INCORPORADAS

Puntadas invisibles	34
Puntada Ondas	35
Puntada elástica	36
Puntada de Unión	37
Ondas decorativas	37
Puntadas decorativas	38
Patch work	39
Puntada por encima de la orilla	40
Puntada pluma	41
Triple puntada zigzag elástica	42

OJALES Y COSTURA DE BOTONES

Para coser ojales	43
Ajuste fino de los ojales	45
Costura de botones	47

USO DE ACCESORIOS Y APLICACIONES

Inserción de cremalleras	48
Fruncido	49
Zurcido	49
Aplicaciones	50
Monogramas y bordados	51

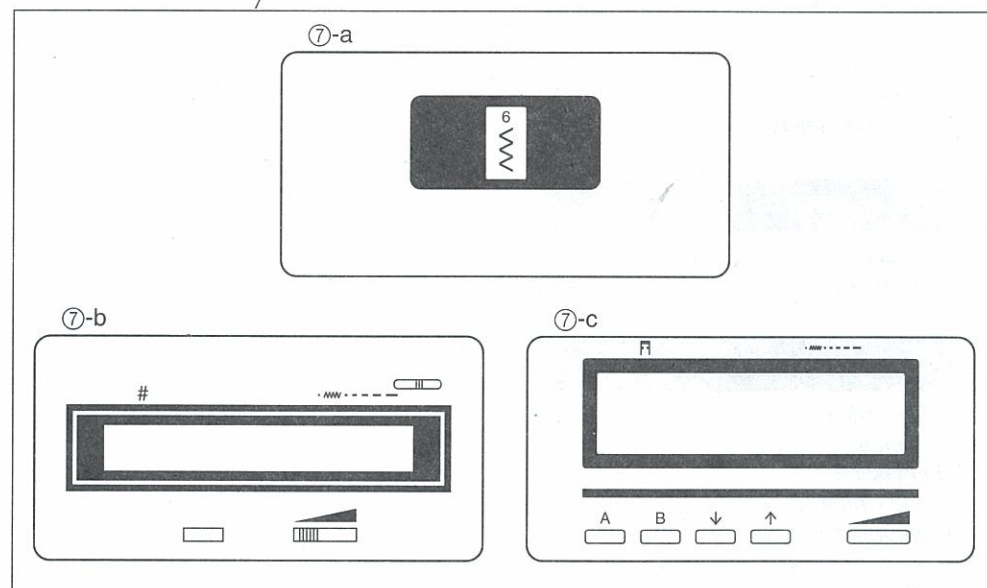
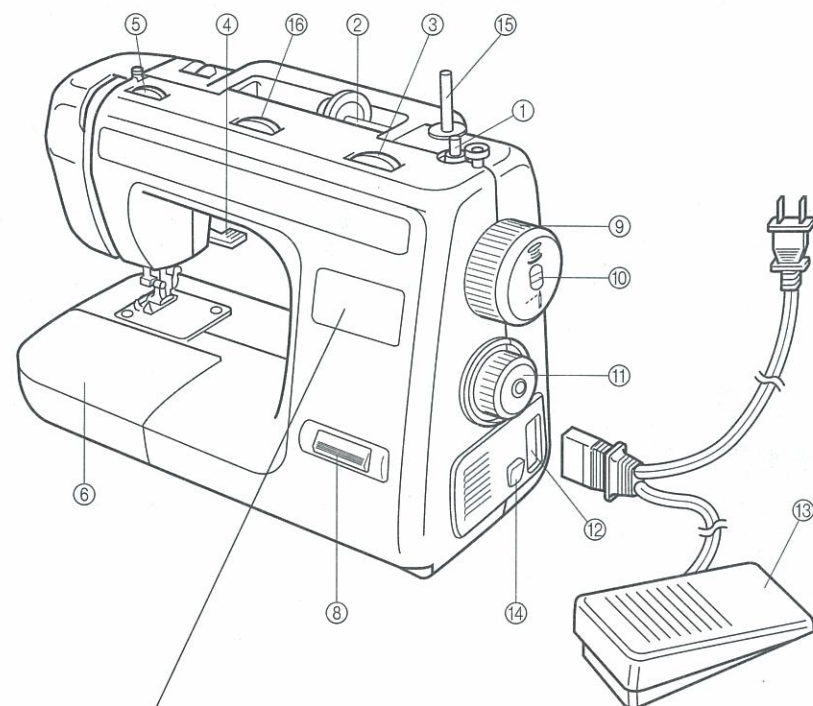
MANTENIMIENTO

Cambio de la bombilla	53
Engrasado	54
Limpieza	55
Listado de posibles incidencias	56
Embalaje de la máquina	61

INDICE

Principal parts

Elementos principales

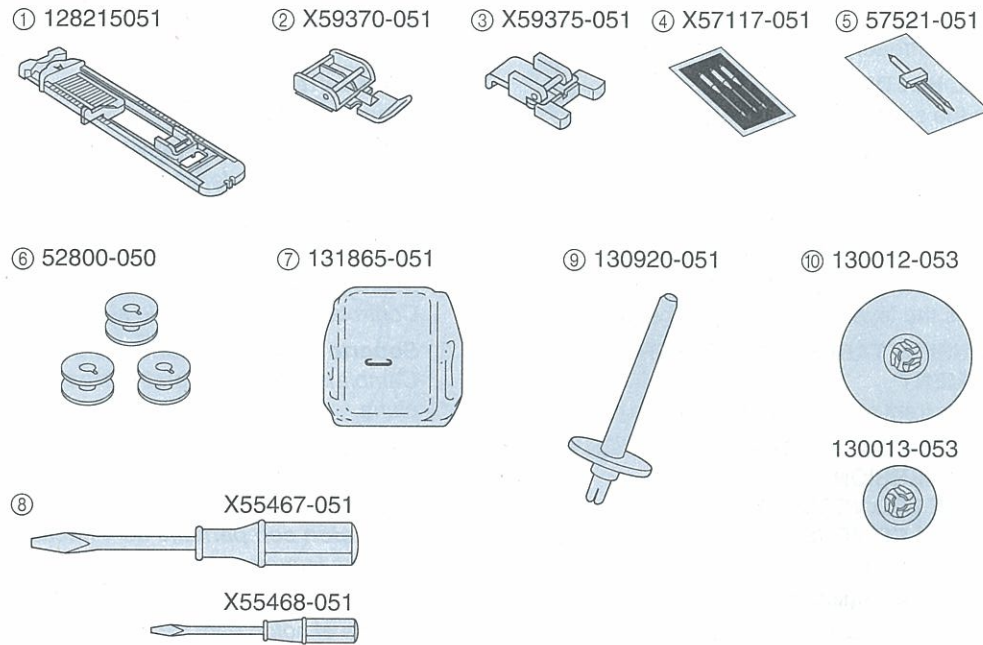


- ① **BOBBIN WINDING ASSEMBLY**
Winds the thread onto the bobbin to be used for the lower thread.
- ② **SPOOL HOLDER**
Holds the sewing thread.
- ③ **STITCH LENGTH DIAL**
Controls the length of the stitches.
- ④ **PRESSER FOOT LEVER**
Raises and lowers the presser foot.
- ⑤ **UPPER TENSION CONTROL DIAL**
Controls the tension of the upper thread.
- ⑥ **EXTENSION TABLE & ACCESSORIES COMPARTMENT**
Converts from a free-arm into a flat bed machine.
- ⑦-a **MECHANICAL PATTERN INDICATION WINDOW VERSION**
- ⑦-b **1-LINE LCD VERSION**
- ⑦-c **4-LINE LCD VERSION**
Shows the stitch to be performed.
- ⑧ **REVERSE SEWING BUTTON**
Push for stitching in the reverse direction.
- ⑨ **BALANCE WHEEL**
Turn toward you (counterclockwise) to raise and lower the needle.
- ⑩ **CLUTCH RELEASE SWITCH**
Switches from bobbin-winding mode to sewing mode.
- ⑪ **PATTERN SELECTION DIAL**
Turn in either direction to select the desired stitch.
- ⑫ **FOOT CONTROLLER RECEPTACLE**
Insert the foot controller plug for operation.
- ⑬ **FOOT CONTROLLER**
Used to control sewing speed start and stop.
- ⑭ **MAIN POWER/SEWING LIGHT SWITCH**
Turns the main power and sewing light on and off.
- ⑮ **VERTICAL SPOOL HOLDER**
Used to hold a second spool of thread for twin needle sewing.
- ⑯ **STITCH WIDTH DIAL**
Controls the stitch width.

- ① **Porta Bobinas**
Hace bobina para la canilla que va a ser utilizada como hilo inferior.
- ② **Porta carretes**
Soporta el hilo de coser.
- ③ **Selector de largo de puntada**
Controla el largo de las puntadas.
- ④ **Palanca de elevación del prensatelas**
Levanta y baja el prensatelas.
- ⑤ **Disco de control de la tensión superior**
Controla la tensión del hilo superior.
- ⑥ **Soporte y compartimento de accesorios**
Cambia la máquina de brazo libre en una máquina plana.
- ⑦-a **Versión con ventana de indicación de puntada mecánica.**
- ⑦-b **Versión con pantalla de 1 línea.**
- ⑦-c **Versión con pantalla de 4 líneas.**
Muestra la puntada que va a realizarse.
- ⑧ **Pulsador de retroceso**
Apriete el botón para retroceder.
- ⑨ **Ruedecilla**
Gírela hacia usted (contra el sentido de las manecillas de un reloj) para levantar y bajar la aguja.
- ⑩ **Conmutador bobina-aguja**
Permite pasar del modo de bobinado al modo de costura.
- ⑪ **Selector de puntadas**
Gírelo en cualquier dirección para seleccionar la puntada deseada.
- ⑫ **Conectar el pedal**
Insertar la clavija del pedal para conectarlo.
- ⑬ **Pedal**
Sirve para controlar la velocidad de costura, el arranque y la parada.
- ⑭ **Interruptor principal y de luz**
Apaga y enciende la alimentación principal así como la luz de costura.
- ⑮ **Porta carretes vertical**
Sirve para sujetar un segundo carrete de hilo, para costuras con aguja doble.
- ⑯ **Selector de ancho de puntada**
Controla el ancho de las puntadas.

Accessories

Accesorios



- ① Buttonhole Foot (1 pc.)
- ② Zipper Foot (1 pc.)
- ③ Button Sewing Foot (1 pc.)
- ④ Needle Pack (Regular Single Needle No. 14) (3 pcs.)
- ⑤ Twin Needle (1 pc.)
- ⑥ Bobbins (3 pcs.)
- ⑦ Darning Plate (1 pc.)
- ⑧ Screw Drivers (Large & Small) (2 pcs.)
- ⑨ Extra Spool Pin (1 pc.)
- ⑩ Spool Holders (Large & Small) (2 pcs.)

Parts Code for Zigzag Presser Foot: 138135-051
Foot Controller: J00360051 (110/120V Area)
J00016051 (220/240V Area)
J00492051 (U.K.)
J00921051 (Australia, New Zealand)
J01367051 (Canada)
J00478051 (110/220V Dual Area)

The above accessories are stored in the accessory bag inside the extension table. These accessories have been designed to help complete most sewing tasks.

- ① Prensatelas para ojales (1 pza)
- ② Prensatelas para cremalleras (1 pza)
- ③ Prensatelas para la costura de botones (1 pza)
- ④ Paquete de agujas (agujas simples normales No 14) (3 pzas)
- ⑤ Aguja doble (1 pza)
- ⑥ Canilla (3 pzas)
- ⑦ Placa de zurcir (1 pza)
- ⑧ Destornilladores (grande y pequeño) (2 pzas)
- ⑨ Porta carretes extra (1 pza)
- ⑩ Filete para canilla (grande y pequeño) (2 pzas)

Código del prensatelas para la puntada zigzag: 138135-051
Pedal: J00360051 (zona con 110/120V)
J00016051 (zona con 220/240V)
J00492051 (Reino Unido)
J00921051 (Australia, Nueva Zelanda)
J01367051 (Canada)
J00478051 (Zona dual con 110/220V)

Los accesorios mencionados arriba se encuentran en la bolsa de accesorios, dentro de soporte de accesorios. Han sido concebidos para poder realizar la mayoría de las operaciones de costura.

OPERATING YOUR SEWING MACHINE

Connecting Plugs

1. Connect the three-prong plug into the machine. It is located between the foot controller and the power supply plug on the cord.
2. Connect the power supply plug into a wall outlet.

CAUTION

1. When changing the light bulb or when the sewing machine is not in use, the power supply plug must be disconnected from the wall socket to avoid electrical hazards.
2. This appliance has a polarized plug (one blade wider than the other). To reduce the risk of electric shock, this plug is intended to fit in a polarized outlet only one way. If the plug does not fit fully in the outlet, reverse the plug. If it still does not fit, contact a qualified electrician to install the proper outlet. Do not modify the plug in any way.

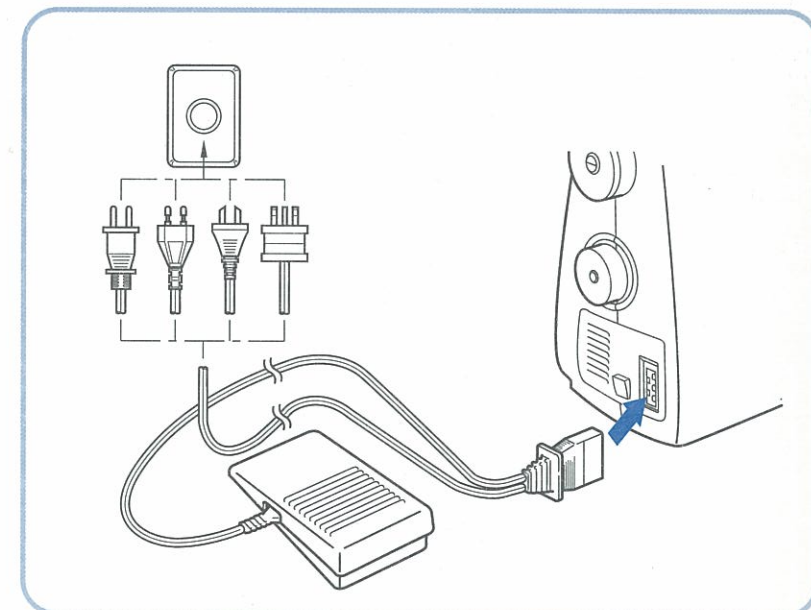
Funcionamiento de la máquina de coser

Conexión de los enchufes

1. Conecte el enchufe de tres clavijas a la máquina. En el cordón, se encuentra ubicado entre el pedal y el enchufe destinado a la alimentación de corriente.
2. Conecte el enchufe de alimentación a una toma de corriente.

ATENCIÓN

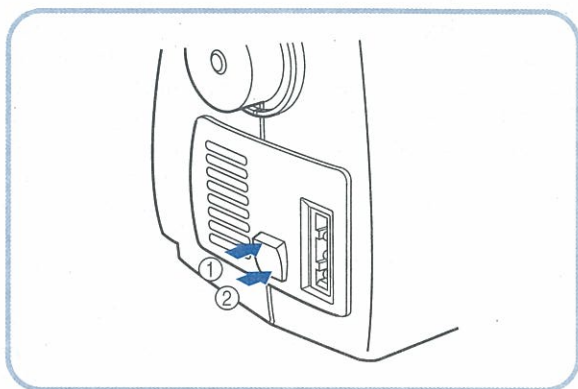
1. Cuando se cambia una aguja, la canilla o la bombilla de luz, o cuando se deja la máquina sin funcionar, se recomienda siempre retirar el enchufe de la toma de corriente para evitar choques eléctricos.
2. Esta máquina está provista de un enchufe polarizado para corriente alternativa (un enchufe con un borne más ancho que el otro) para las zonas con corriente eléctrica de 120V. Como medida de seguridad, existe una sola manera de adaptar ese enchufe a una toma de corriente. Si no puede introducir el enchufe a fondo en la toma de corriente, intente cambiar el enchufe de lado. Si el enchufe no se introduce aún, póngase en contacto con un electricista para que le cambie la toma de corriente, que debe ser obsoleta. No se descuide nunca de esta medida de seguridad del enchufe polarizado.



Main Power and Sewing Light Switches

This switch turns the main power and sewing light on or off.

- ① Turn on (toward the "I" mark)
- ② Turn off (toward the "O" mark)



Interruptor principal y de luz

Este interruptor permite apagar y encender la máquina y la luz.

- ① Encender (hacia la marca "I")
- ② Apagar (hacia la marca "O")

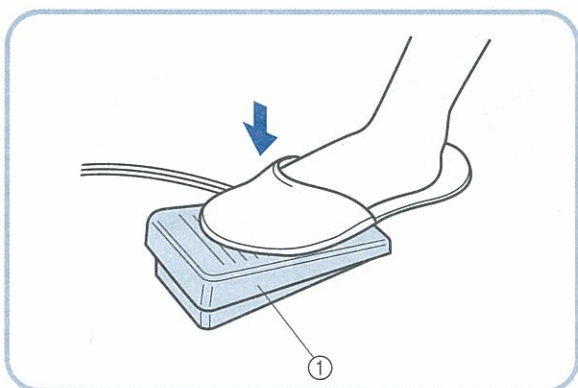
Foot Controller

When the foot controller is depressed lightly, the machine will run at a low speed. When the pressure on the foot controller is increased, the machine's speed will increase. When pressure on the foot controller is released, the machine will stop. Care should be taken that nothing is placed on the foot controller when the machine is not in use.

- ① Foot controller: Model N

Note (For U.S.A. only):

This foot controller can be used for sewing machine models XR31, XR33, XR35, XR37 and XR40.



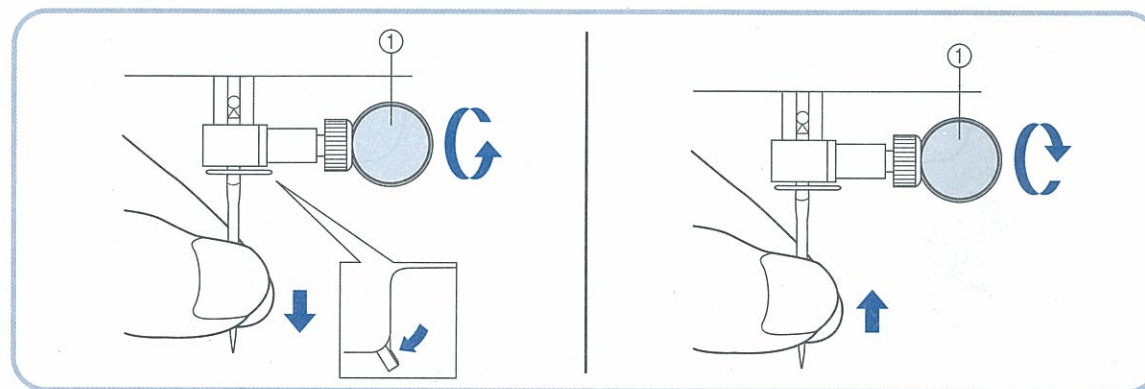
Pedal

Al presionar ligeramente el pedal, la máquina funcionará a baja velocidad. Al aumentar la presión, se incrementa también la velocidad de la máquina. Al soltar el pedal, la máquina se para. Asegúrese siempre de no poner ningún objeto sobre el pedal cuando la máquina no esté utilizada.

- ① Pedal

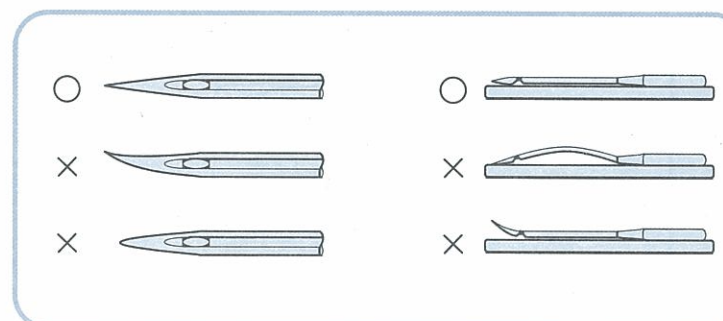
Replacing the Needle

1. Remove the power supply plug from the outlet.
2. Raise the needle bar to its highest position.
3. Lower the presser foot.
4. Remove the needle by loosening the needle clamp with a coin.
5. Insert a different needle as far as possible up against the needle stopper with its flat side facing the back.
6. Tighten the needle clamp.
 - ① Coin



Checking the Needle

1. The sewing needle must always be straight and sharp for smooth sewing.
2. To check if the needle is bent, place the flat side of the needle down as shown in the illustration.
3. Replace the needle if it is bent or dull.



Cambio de la aguja

1. Retire el enchufe de alimentación de la toma de corriente.
2. Levante la barra de la aguja a su posición más alta.
3. Baje el prensatelas.
4. Retire la aguja, aflojando el tornillo con una moneda.
5. Introduzca otra aguja, con la parte redonda cara a usted. Hay que meterla lo más adentro posible hasta que toque arriba con el pasador.
6. Vuelva a apretar el tornillo de la aguja.
 - ① Moneda

Verificación de la aguja

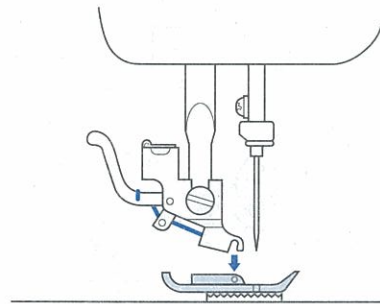
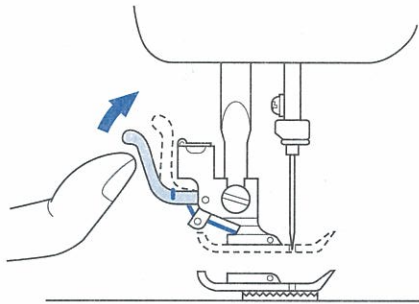
1. La aguja de costura siempre debe estar bien recta y afilada para una buena costura.
2. Para averiguar si la aguja no está doblada, coloque la parte plana de la aguja hacia abajo como muestra el dibujo.
3. Cambie la aguja si está doblada o gastada.

Changing the Presser Foot

It may be necessary to change the presser foot according to your sewing needs.

SNAP-ON TYPE

1. Raise the needle to its highest position by turning the balance wheel toward you (counter clockwise) and raise the presser foot lever.
2. Release the foot by raising the lever located at the back of the holder.
3. Place a different presser foot on the needle plate so that the bar on the presser foot is in line with the slot on the shank.
4. Lower the presser foot lever and fix the presser foot onto the shank. If the presser foot is in the correct location, the bar should snap in.

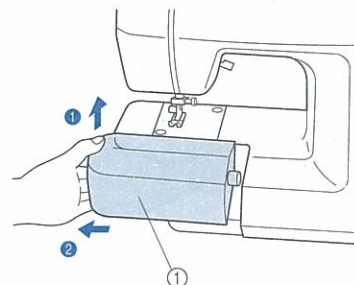


Converting to Free-arm Style

Free-arm sewing is convenient for sewing tubular and hard-to-reach areas on a garment. To change your machine to the free-arm style, simply lift out the extension table.

- 1 Lift up on the extension table.
- 2 Slide the extension table to the left.

① Extension table



① Soporte de accesorios

Cambio del prensatelas

Según sus necesidades de costura, puede ser necesario cambiar el prensatelas.

Tipo de enganche de golpe

1. Levante la aguja a su posición más alta, girando la ruedecilla hacia usted (en el sentido contrario al de las manecillas de un reloj) y levante la palanca del prensatelas.
2. Suelte el prensatelas levantando la palanca que hay en la parte trasera del soporte.
3. Coloque otro prensatelas en la placa de agujas de tal forma que la barra del prensatelas quede alineada con la ranura del soporte.
4. Baje la palanca del prensatelas y fije el prensatelas en el soporte. Si el prensatelas está bien colocado, la barra debe engancharse de golpe.

Conversión en modalidad de brazo libre

La costura con brazo libre es práctica para coser zonas tubulares y difíciles de acceso en los tejidos. Para transformar su máquina en esa modalidad, sólo hace falta desmontar el soporte de los accesorios tirando de él.

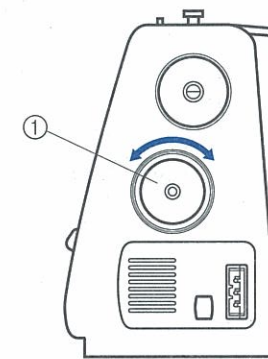
- 1 Levante el soporte.
- 2 Deslice el soporte hacia la izquierda.

VARIOUS CONTROLS

Pattern Selection Dial

To select a stitch, simply turn the Pattern Selection Dial, located on the right side of the machine. The Pattern Selection Dial may be turned in either direction. The following page shows the recommended range of stitch lengths and widths.

① Pattern Selection Dial

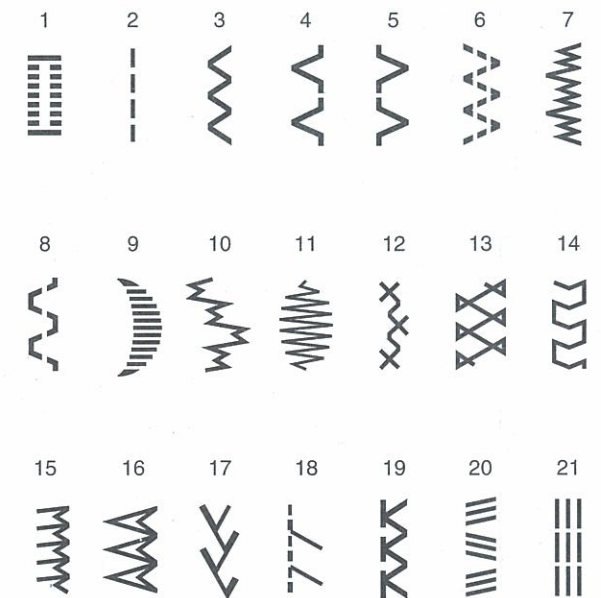


Distintos mandos

Selector de puntadas

Para seleccionar una puntada, sólo hace falta girar el disco de selección correspondiente, situado en la derecha de la máquina. Este disco se puede girar en cualquier dirección. En la siguiente página, encontrará las combinaciones recomendadas para largos y anchos de puntadas.

① Selector de puntadas.



RECOMMENDED WIDTHS AND LENGTHS FOR STITCHES

PATTERN	STITCH NAME	RECOMMENDED WIDTH [mm(inch)]	RECOMMENDED LENGTH [mm(inch)]	PAGE IN INSTRUCTIONS
1	1-STEP AUTOMATIC BUTTONHOLE	3-5 (1/8-13/64)	F-1.5 (1/64-1/16)	43
2	STRAIGHT STITCH	5 (13/64)	1-4 (3/64-5/32)	30
3	ZIGZAG STITCH	0-5 (0-13/64)	F-4 (1/64-5/32)	33
4	BLIND HEM STITCH	3-5 (1/8-13/64)	F-2 (1/64-5/64)	34
5	SHELL TUCK STITCH	3-5 (1/8-13/64)	F-3 (1/64-1/8)	35
6	ELASTIC STITCH	3-5 (1/8-13/64)	F-2.5 (1/64-3/32)	36
7	STRETCH BLIND STITCH	3-5 (1/8-13/64)	F-1.5 (1/64-1/16)	34
8	DOUBLE ACTION STITCH	3-5 (1/8-13/64)	F-3 (1/64-1/8)	37
9	SCALLOP STITCH	3-5 (1/8-13/64)	F-1.5 (1/64-1/16)	37
10	LIGHTNING STITCH	5 (13/64)	F-1 (1/64 - 3/64)	38
11	BEAD STITCH	3-5 (1/8-13/64)	F-1 (1/64-3/64)	38
12	LINK STITCH	3-5 (1/8-13/64)	Fixed 2.5 (3/32)	39
13	FAGOTING STITCH	3-5 (1/8-13/64)	Fixed 2.5 (3/32)	39
14	LEAF STITCH	3-5 (1/8-13/64)	Fixed 2.5 (3/32)	39
15	COMB STITCH	3-5 (1/8-13/64)	Fixed 2.5 (3/32)	40
16	ARROWHEAD STITCH	3-5 (1/8-13/64)	Fixed 2.5 (3/32)	40
17	FEATHER STITCH	3-5 (1/8-13/64)	Fixed 2.5 (3/32)	41
18	SLANT OVERLOCK STITCH	3-5 (1/8-13/64)	Fixed 2.5 (3/32)	40
19	ELASTIC OVERLOCK STITCH	3-5 (1/8-13/64)	Fixed 2.5 (3/32)	40
20	TRIPLE ZIGZAG STRETCH STITCH	3-5 (1/8-13/64)	Fixed 2.5 (3/32)	42
21	TRIPLE STRETCH STITCH	5 (13/64)	Fixed 2.5 (3/32)	30

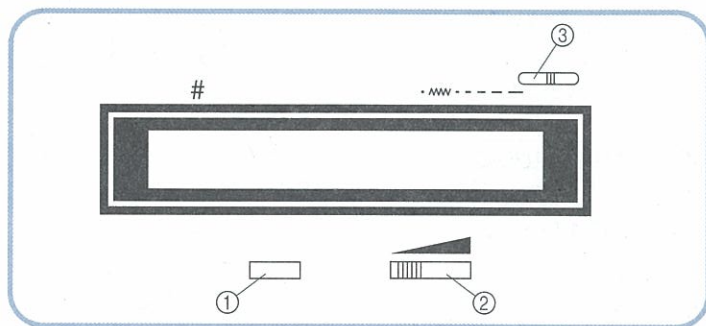
Anchos y largos de puntadas recomendados

PUNTADA	NOMBRE	ANCHO RECOMENDADO (MM)	LARGO RECOMENDADO (MM)	PÁGINA DEL MANUAL
1	OJAL AUTOMÁTICO DE 1 PASO	3-5 (1/8-13/64)	F-1,5 (1/64-1/16)	43
2	PUNTADA RECTA	5 (13/64)	1-4 (3/64-5/32)	30
3	PUNTADA ZIGZAG	0-5 (0-13/64)	F-4 (1/64-5/32)	33
4	PUNTADA INVISIBLE	3-5 (1/8-13/64)	F-2 (1/64-5/64)	34
5	PUNTADA ONDAS	3-5 (1/8-13/64)	F-3 (1/64-1/8)	35
6	PUNTADA ELÁSTICA	3-5 (1/8-13/64)	F-2,5 (1/64-3/32)	36
7	PUNTADA INVISIBLE ELÁSTICA	3-5 (1/8-13/64)	F-1,5 (1/64-1/16)	34
8	PUNTADA DE UNIÓN	3-5 (1/8-13/64)	F-3 (1/64-1/8)	37
9	PUNTADA FESTÓN	3-5 (1/8-13/64)	F-1,5 (1/64-1/16)	37
10	PUNTADA ESCALERA	5 (13/64)	F-1 (1/64-3/64)	38
11	PUNTADA FESTÓN DOBLE	3-5 (1/8-13/64)	F-1 (1/64-3/64)	38
12	PUNTADA LINEAR	3-5 (1/8-13/64)	Fija 2,5 (3/32)	39
13	PUNTADA FAGOTING	3-5 (1/8-13/64)	Fija 2,5 (3/32)	39
14	PUNTADA FESTÓN DOBLE	3-5 (1/8-13/64)	Fija 2,5 (3/32)	39
15	PUNTADA PEINE	3-5 (1/8-13/64)	Fija 2,5 (3/32)	40
16	PUNTADA FLECHA	3-5 (1/8-13/64)	Fija 2,5 (3/32)	40
17	PUNTADA PLUMA	3-5 (1/8-13/64)	Fija 2,5 (3/32)	41
18	PUNTADA OVERLOCK ESTRECHA	3-5 (1/8-13/64)	Fija 2,5 (3/32)	40
19	PUNTADA OVERLOCK ELÁSTICA	3-5 (1/8-13/64)	Fija 2,5 (3/32)	40
20	TRIPLE PUNTADA ZIGZAG ELÁSTICA	3-5 (1/8-13/64)	Fija 2,5 (3/32)	42
21	TRIPLE PUNTADA PESPUNTO	5 (13/64)	Fija 2,5 (3/32)	30

Electronic Display (1Line LCD)

The pattern name you selected is automatically displayed in the Liquid Crystal Display (LCD). Press the MESSAGE key, which is located below the LCD at the left, for a sewing guidance message on that stitch. The guidance message is shown three times, then the display will return to showing the pattern name.

- ① Message key
- ② LCD Contrast Adjuster
- ③ Language Selector



When the machine is not properly set and a correction is required, a warning message appears on the display to give you instructions about how to make the correction.

1. When you slide the bobbin winder pin to the right for bobbin winding, the machine will only allow you to wind the bobbin and the message "BOBBIN WINDING" will appear on the display.
2. When you set the machine to sew a buttonhole, but the buttonhole lever is not pulled down, the message "LOWER BH LEVER" will appear on the display.

Using the LCD Contrast Adjuster Key

Adjust the contrast of the characters on the LCD by sliding the LCD adjuster key to the left or right. When the LCD adjuster key is slid to the right, the contrast of the characters on the LCD become darker. When the LCD adjuster key is slid to the left, the contrast of the characters on the LCD become lighter.

Using the Language Selector

The language of the messages shown on the LCD can be switched between two different languages. Move the switch on the right above the LCD to the left or right with the point of a pen to change the language.

Pantalla electrónica (Pantalla de una línea)

El nombre de la puntada seleccionada aparece automáticamente en la pantalla de cristal líquido (LCD). Presione la tecla MENSAJE, que se encuentra debajo de la pantalla a la izquierda, con el fin de visualizar un mensaje de guía para coser con la puntada seleccionada. El mensaje de guía aparece tres veces antes de que la pantalla vuelva a indicar el nombre de la puntada.

- ① Tecla MENSAJE.
- ② Ajustador de contraste de la pantalla.
- ③ Selector de idioma.

Quando a máquina não está bem ajustada ou se requiere una corrección, un mensaje de advertencia aparece en la pantalla para darle instrucciones sobre la manera de corregir los ajustes.

1. Al deslizar el porta bobinas a la derecha para hacer canilla, la máquina sólo le permitirá hacer canilla y el mensaje "HACIENDO CANILLA" aparecerá en la pantalla.
2. Cuando prepara la máquina para coser un ojal, sin bajar la palanca para ojales, el mensaje "BAJAR PALANCA PARA OJALES" aparecerá en la pantalla.

Como usar el ajustador de contraste de la pantalla

Se puede adaptar el contraste de los caracteres de la pantalla al deslizar el ajustador hacia la izquierda o la derecha. Al deslizarlo hacia la derecha, el contraste de los caracteres de la pantalla se hará más oscuro. Por el contrario, al deslizarlo hacia la izquierda, el contraste de dichos caracteres se hará más claro.

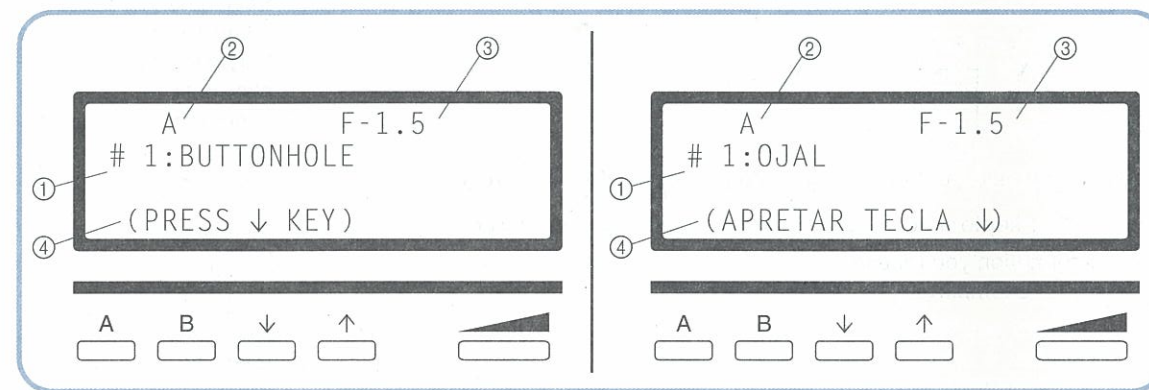
Uso del selector de idiomas

Se puede cambiar el idioma de los mensajes que aparecen en la pantalla y elegir entre dos lenguas distintas. Con la punta de un bolígrafo, desplazar el conmutador situado en la parte superior derecha de la pantalla, hacia la izquierda o la derecha para cambiar el idioma.

Electronic Display (4 Line LCD)

When a pattern is selected with the Pattern Selecting Dial, the pattern name ①, recommended presser foot ②, recommended stitch length ③ and instructions about the next key to be pressed ④ are shown on the display.

- ① Stitch number and description
- ② Recommended presser foot for the stitch
- ③ Recommended stitch length
- ④ Instruction for more LCD information on this stitch



- A : Select a major category
- B : Select a section of a major category
- ↓ : Move to the next display of information
- ↑ : Move to the previous display

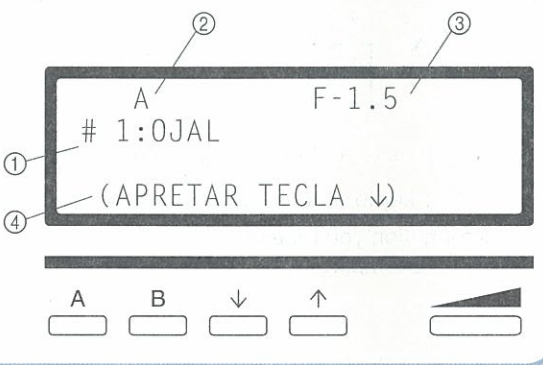
Using the LCD Adjuster Key

Adjust the contrast of the characters on the LCD by sliding the LCD adjuster key to the left or right. When the LCD adjuster key is slid to the right, the contrast of the characters on the LCD become darker. When the LCD adjuster key is slid to the left, the contrast of the characters on the LCD become lighter.

Pantalla electrónica (Pantalla de cuatro líneas)

Al seleccionar una puntada con el selector de puntadas, aparecen en la pantalla las siguientes informaciones: el nombre de la puntada ①, el prensatelas recomendado ②, el largo de puntada recomendado ③, e instrucciones respecto de la tecla que se debe apretar para seguir con las operaciones ④.

- ① Número de puntada y descripción
- ② Prensatelas recomendado para la puntada.
- ③ Largo de puntada recomendado.
- ④ Instrucciones para visualizar más amplias informaciones sobre la puntada elegida.



- A : Seleccione una categoría principal.
- B : Seleccione una sección en una categoría principal.
- ↓ : Ir a la pantalla de informaciones siguiente.
- ↑ : Ir a la pantalla de informaciones anterior.

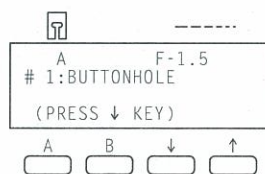
Como usar el ajustador de contraste de la pantalla

Se puede adaptar el contraste de los caracteres de la pantalla al deslizar el ajustador hacia la izquierda o la derecha. Al deslizarlo hacia la derecha, el contraste de los caracteres de la pantalla se hará más oscuro. Por el contrario, al deslizarlo hacia la izquierda, el contraste de dichos caracteres se hará más claro.

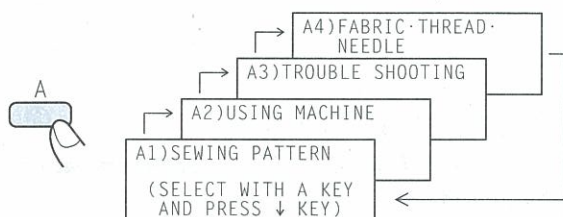
Using the Instruction keys

(Example)

Initial Display

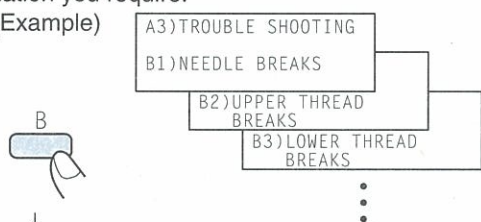


- Press the key.
- Press the key to choose one of the following major categories based on the sewing information you need:
 - A1) SEWING PATTERN
 - A2) USING MACHINE
 - A3) TROUBLE SHOOTING
 - A4) FABRIC•THREAD•NEEDLE



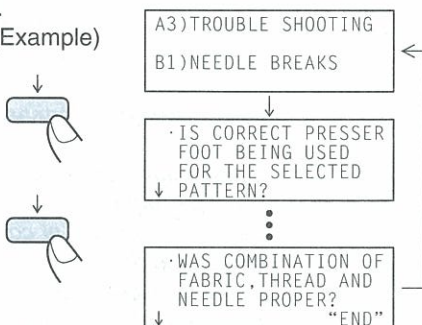
- When you have located the major category of the information required, press the key to choose the section of the major category that best describes the information you require.

(Example)



- Press the key to display the recommended action messages. To correct the problem, follow the suggestion given in the messages that are displayed.

(Example)



- Press the key to go to the previous display level. Each time you press the key, you will go back one display level until you reach the stitch selection display (initial display).

Each time you press the A key, the next message will be shown on the display until the first message appears again.

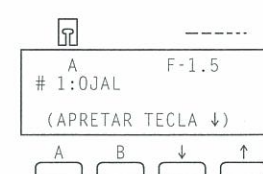
Each time you press the B key, the next message will be shown on the display until the first message appears again.

Each time you press the ↓ key, the next message in that section will be shown on the display until the first message appears again.

Uso de las teclas de instrucciones.

(Ejemplo)

Pantalla inicial.

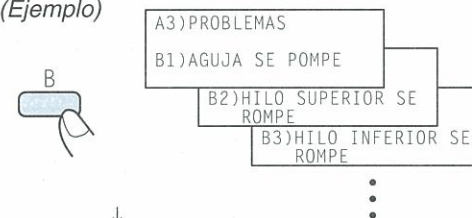


- Presione la tecla .
- Presione la tecla para elegir una de las categorías principales que ilustra las informaciones necesitadas.
 - A1) Motivo de costura.
 - A2) Uso de la máquina.
 - A3) Guía de problemas
 - A4) Tejido-Hilo-Aguja



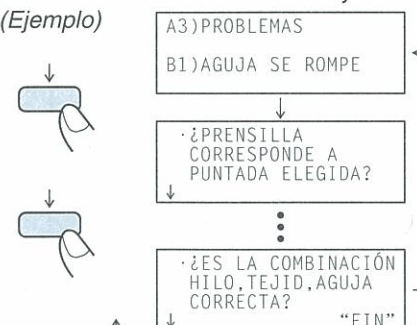
- Quando haya localizado la categoría principal cuya información necesita, presione la tecla para elegir la sección de la categoría principal que mejor detalle la información necesitada.

(Ejemplo)



- Presione la tecla para que aparezcan en la pantalla los mensajes de las acciones recomendadas. Para solucionar un problema, sírvase observar las sugerencias formuladas en los mensajes de la pantalla.

(Ejemplo)



- Presione la tecla para volver al nivel de la pantalla anterior. Cada vez que presione esa tecla , retrocederá de un nivel de pantalla hasta que alcance la pantalla de selección de puntadas (pantalla inicial).

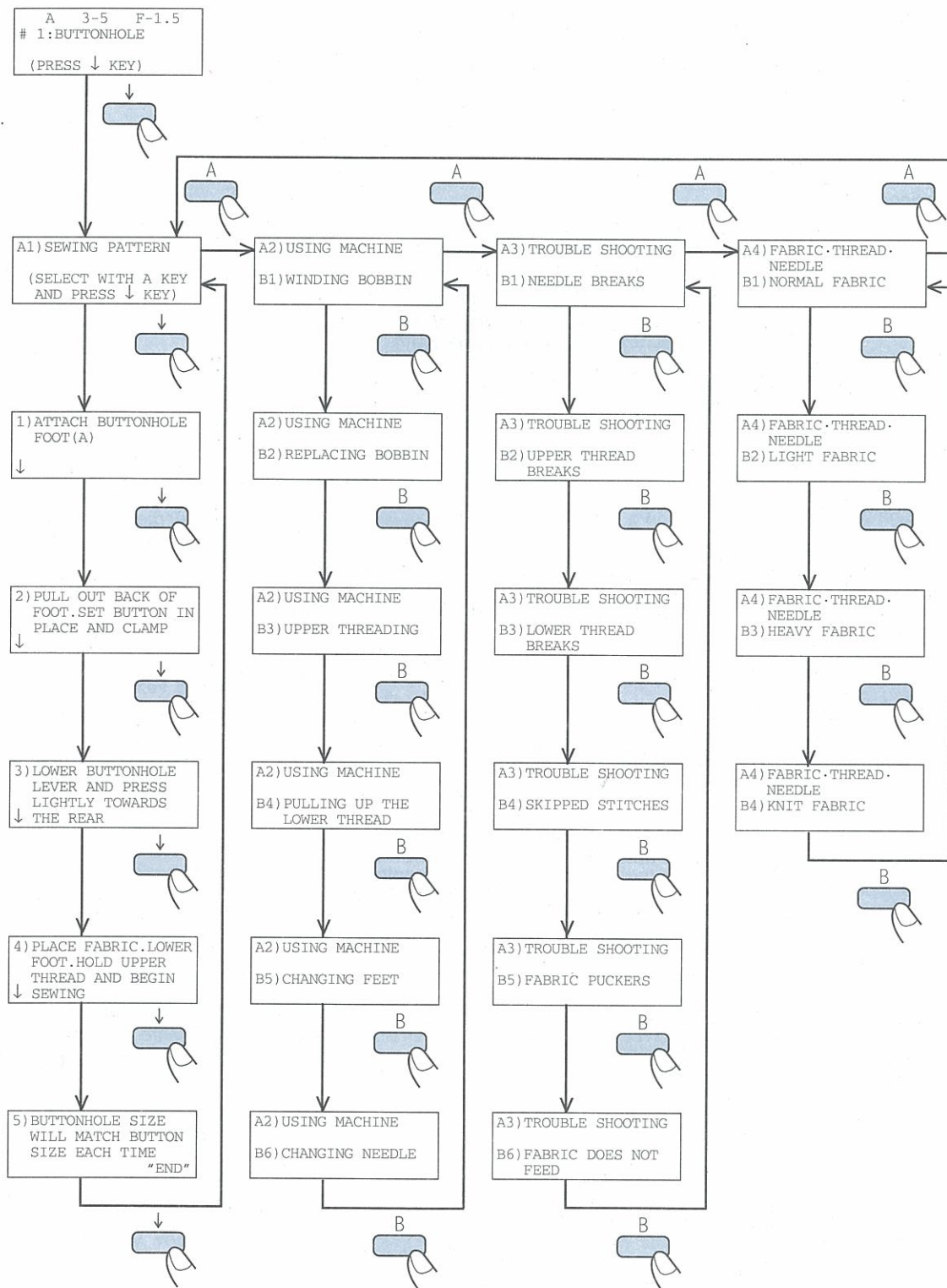
Cada vez que presiona la tecla A, aparecerá el mensaje siguiente en la pantalla, hasta que el primer mensaje vuelva a aparecer.

Cada vez que presiona la tecla B, aparecerá el mensaje siguiente en la pantalla, hasta que el primer mensaje vuelva a aparecer.

Cada vez que presiona la tecla ↓, aparecerá el siguiente mensaje de la sección en la pantalla, hasta que el primer mensaje vuelva a visualizarse.

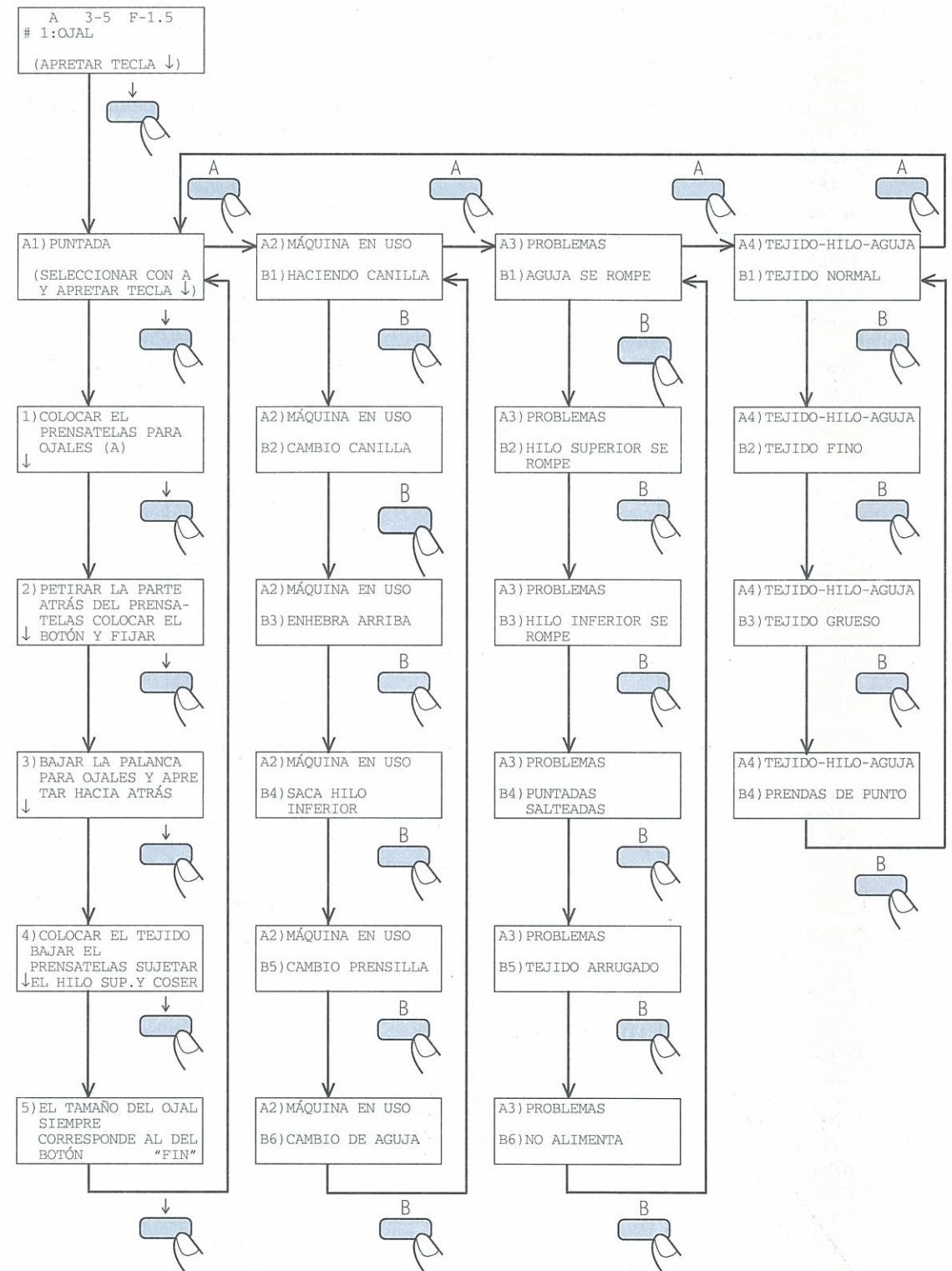
Outline of 4 Line LCD Information

KNOWING YOUR SEWING MACHINE
CONOZCA SU MÁQUINA DE COSER



Plan general de información en la pantalla de cuatro líneas

KNOWING YOUR SEWING MACHINE
CONOZCA SU MÁQUINA DE COSER

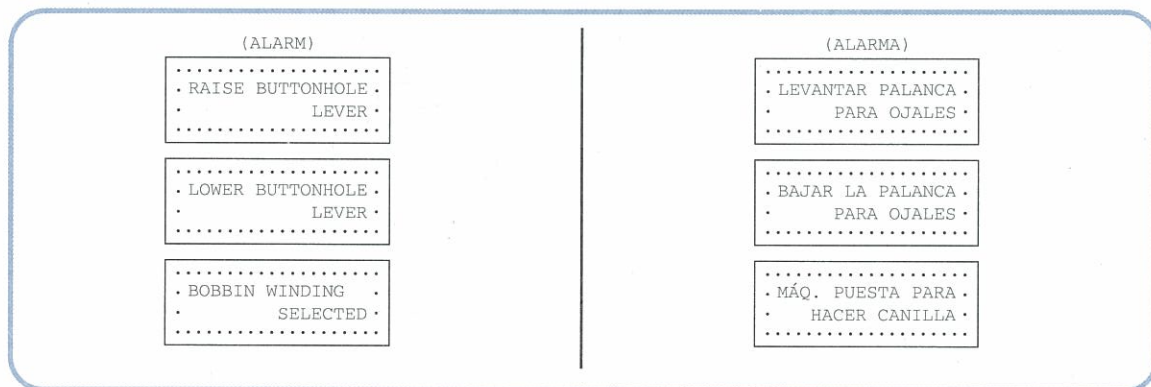


When the machine is not properly set and a correction is required, a warning message appears on the display to give you instructions about how to make the correction.

1. When you slide the bobbin winder pin to the right for bobbin winding, the machine will only allow you to wind the bobbin and the message "BOBBIN WINDING SELECTED" will appear on the display.
2. When you set the machine to sew a buttonhole, but the buttonhole lever is not pulled down, the message "LOWER BUTTONHOLE LEVER" will appear on the display.
3. When you choose a pattern other than the buttonhole pattern, but the buttonhole lever is pulled down, the message "RAISE BUTTONHOLE LEVER" will appear on the display.

Cuando la máquina no esté bien ajustada o que se requiere una corrección, un mensaje de advertencia aparece en la pantalla para darle instrucciones sobre la manera de remediar a la situación.

1. Al deslizar el porta bobinas a la derecha, para hacer canilla, la máquina sólo le permitirá hacer canilla y el mensaje "HACIENDO CANILLA" aparecerá en la pantalla.
2. Cuando prepara la máquina para coser un ojal, sin bajar la palanca para ojales, el mensaje "BAJAR PALANCA PARA OJALES" aparecerá en la pantalla.
3. Si elige un número de puntada distinto del para hacer ojales, y que la palanca para ojales está bajada, el mensaje "LEVANTAR PALANCA PARA OJALES" aparecerá en la pantalla.



Changing the Language of the LCD Messages
The language of the messages displayed in the LCD can be changed to any of the following languages:

(Languages)

- | | | |
|-----------------------|-----------------------|-------------------------|
| 1) ENGLISH | 7) DANSK (DANISH) | 12) SLOVAKIAN (SLOVAK) |
| 2) DEUTSCH (GERMAN) | 8) NORSK (NORWEGIAN) | 13) MAGYAR (HUNGARIAN) |
| 3) FRANCAIS (FRENCH) | 9) SUOMEKSI (FINNISH) | 14) SLOVENSKO (SLOVENE) |
| 4) ITALIANO (ITALIAN) | 10) SVENSK (SWEDISH) | 15) PORTUGUES (PORT.) |
| 5) NEDERLANDS (DUTCH) | 11) CESTINA (CZECH) | 16) JAPANESE |
| 6) ESPANOL (SPANISH) | | |

Para cambiar el idioma de los mensajes de la pantalla.
El idioma de los mensajes visualizados en la pantalla puede ser uno de los siguientes:

(Idiomas)

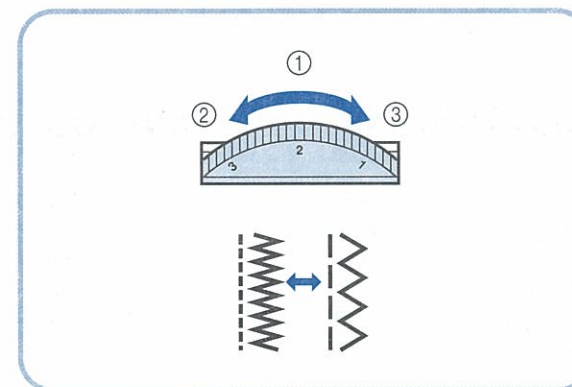
- (1) Apague el interruptor principal.
- (2) Mantenga las dos teclas de mensajes A y B presionadas y vuelva a encender la máquina. Va a aparecer el nombre del idioma inicialmente seleccionado para los mensajes de la pantalla.
- (3) Seleccione el idioma adecuado apretando la tecla A (para cambiar de idioma según el orden indicado arriba) o B (para cambiar de idioma en el sentido inverso).

- (4) Once the language is selected, turn the main power switch off.
- (5) When the main power switch is turned on again, the messages will be displayed in the chosen language.

Stitch Length Dial

Depending on your selected stitch, you may need to adjust the stitch length for best results. The numbers marked on the Stitch Length Dial represent the length of the stitch in millimeters (mm). THE HIGHER THE NUMBER, THE LONGER THE STITCH.
The "O" setting does not feed the material. This is used for sewing on a button.
The "F" area is used for making a Satin Stitch (a close zigzag stitch) which can be used in making buttonholes and decorative stitches. The position needed for making the Satin Stitch varies according to the material and thread being used. To determine the exact dial position, you should first test the stitch and length settings on a scrap of fabric to observe the feeding of the material.

- ① STITCH LENGTH
- ② Shorter
- ③ Longer



- ① Largo de puntada
- ② Más corto
- ③ Más largo

Stitch Width Dial

Depending on the stitch selected, you may need to adjust the stitch width. The numbers marked on the dial represent the stitch width. THE HIGHER THE NUMBER, THE WIDER THE STITCH.

- (4) Cuando haya seleccionado el idioma, apague el interruptor principal.
- (5) Al encender de nuevo la máquina, los mensajes aparecerán en el idioma elegido.

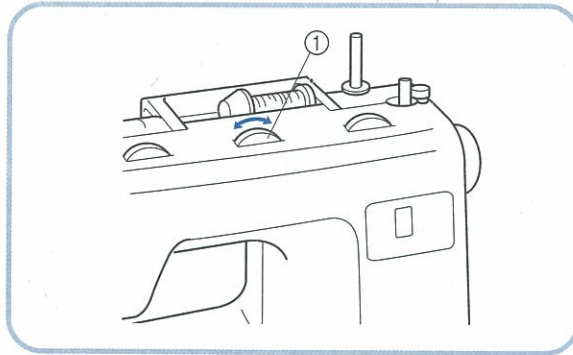
Selector de largo de puntada

Según la puntada seleccionada, puede ser necesario ajustar su largo para lograr mejores resultados. Los números indicados en el disco representan el largo de las puntadas en milímetros. CUANTO MAS ALTO EL NUMERO, MAS LARGA LA PUNTADA.
El ajuste "O" no alimenta el tejido. Sirve para coser un botón.
La zona "F" se usa para realizar puntadas de realce (una puntada zigzag cerrada) que pueden servir para ojales o decoración. La posición necesaria para realizar puntadas de realce varía dependiendo del tejido e hilo utilizados. Para determinar la posición exacta del botón, conviene primero probar la puntada y los ajustes de largo en un pedazo de tejido para ver como se alimenta el material.

Selector de ancho de puntada

Según el tipo de puntada seleccionada, se necesitará o no ajustar el ancho de puntada. Los números indicados en el selector representan el ancho de las puntadas. A MAYOR NUMERO SELECCIONADO, MAYOR ANCHURA DE PUNTADAS.

① Stitch Width Dial



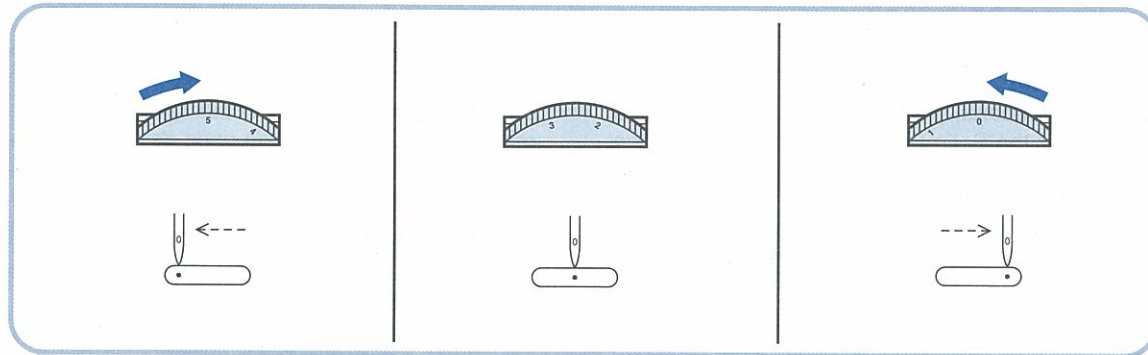
① Selector de ancho de puntada.

NOTE:

When you choose the Straight Stitch (2) or the Triple Stretch Stitch (21), you can change the needle position from left to right.

NOTA:

Al elegir la puntada recta (dibujo No 2) o la triple puntada pespunto (dibujo No 21), es posible cambiar la posición de la aguja de izquierda a derecha.



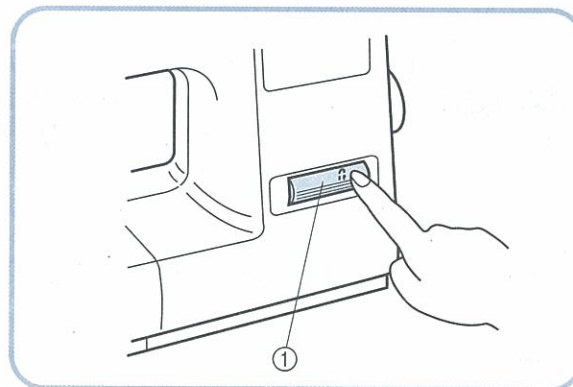
Reverse Sewing Button

To sew in reverse, push the Reverse Sewing Button in as far as possible and hold in that position while pressing lightly on the foot pedal. To sew forward, release the Reverse Sewing Button. The machine will then sew forward. Reverse sewing is used for backtacking and reinforcing seams.

Pulsador de retroceso

Para coser hacia atrás, apriete a fondo el pulsador de retroceso y manténgalo en esa posición mientras presiona ligeramente el pedal. Para volver a coser hacia adelante, suelte el pulsador. La costura hacia atrás se usa para remates y para reforzar las costuras.

① Reverse Sewing Button



① Pulsador de retroceso.

THREADING THE MACHINE

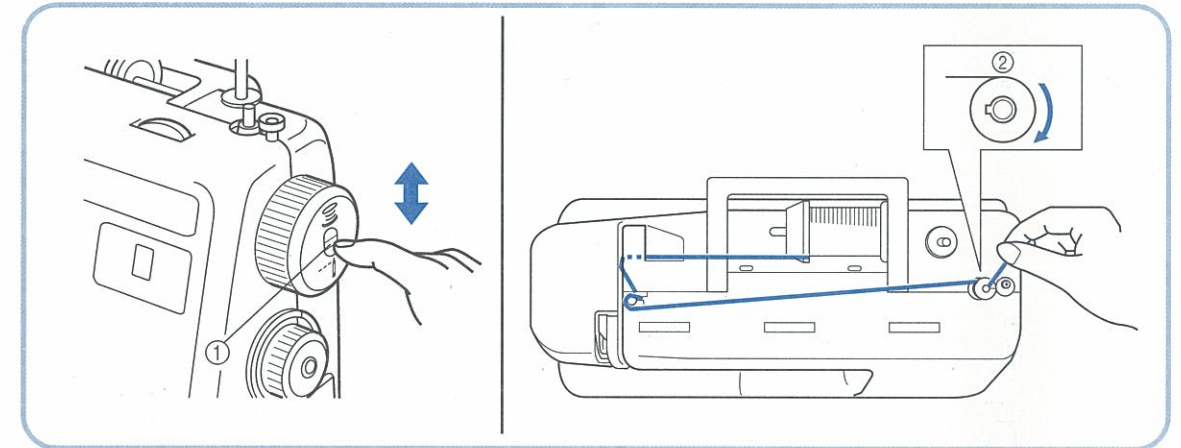
Winding the bobbin

1. Change the Clutch Release Switch from the needle mark to the bobbin mark.
2. Place a spool of thread onto the horizontal spool pin and firmly hold it with a spool holder so that the spool of thread will not turn. Pass the thread through the thread guide as shown following the dotted line on the machine.
3. Pass the end of the thread through the hole on the bobbin from the inside.
 - ① Clutch Release Switch
 - ② Bobbin winding

Enhebrado de la máquina

Bobinado de la canilla

1. Cambie el conmutador bobina-aguja de la marca aguja a la marca canilla.
2. Coloque un carrete de hilo en el eje horizontal previsto y manténgalo firmemente con un tope para que no dé vueltas. Pase el hilo por la guía, siguiendo la línea de puntos marcada en la máquina.
3. Pase el extremo del hilo por el orificio de la canilla a partir del interior.
 - ① Conmutador
 - ② Bobinado de la canilla



- Place the bobbin onto the bobbin winder shaft and slide the bobbin winder shaft to the right. Turn the bobbin clockwise, by hand, until the spring on the shaft slides into the slit on the bobbin.
- While holding the end of the thread, gently depress the foot controller to wind the thread around the bobbin a few times. Then stop the machine.
- Trim the excess thread above the bobbin. Continue winding the thread onto the bobbin by depressing the foot controller.

NOTE:

The machine stops automatically when the bobbin is full.

- Cut the thread, push the shaft to the left and remove the full bobbin from the shaft.
- Return the Clutch Release Switch back to the needle mark.

- ③ Spring
- ④ Slit

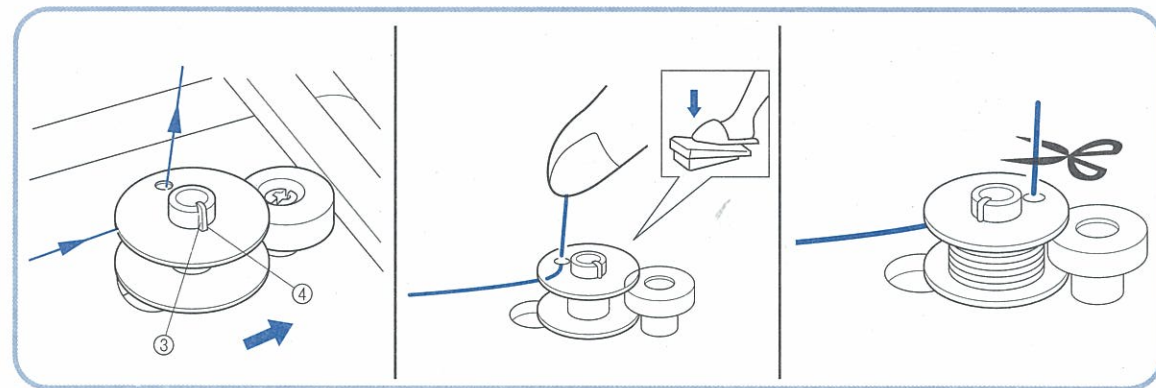
- Coloque la canilla en el eje de bobinado correspondiente y deslice dicho eje hacia la derecha. Gire la canilla en el sentido de las manecillas de un reloj, con la mano, hasta que el muelle impulsor del eje se deslice dentro de la ranura de la canilla.
- Sujetando el extremo del hilo, presione suavemente el pedal para que el hilo dé vueltas alrededor de la canilla. Luego pare la máquina.
- Deshaga el exceso de hilo arriba de la canilla. Siga bobinando el hilo en la canilla presionando el pedal.

NOTA:

La máquina se para automáticamente cuando la canilla está llena.

- Corte el hilo, empuje el eje hacia la izquierda y retire la canilla llena.
- Vuelva a colocar el conmutador en la marca aguja.

- ③ Muelle
- ④ Ranura



Lower Threading

- Raise the needle to its highest position by turning the balance wheel toward you (counterclockwise) and raise the presser foot lever.
- Open the shuttle cover behind the extension table on the front of the machine and remove the bobbin case by pulling its latch toward you and pulling it out from the shuttle race toward you (**fig. A**).
- Unwind about 10 cm (4") from a full bobbin and insert the bobbin into the bobbin case. Pull the trailing thread into the slot, down and to the left, as shown in **fig. B** below, until it enters the delivery eye under the tension spring.
- Holding the bobbin case by the latch, fully insert the bobbin case into the shuttle race and release the latch. Make sure the metal finger fits into the notch at the top of the race as shown in **fig. C** below.

NOTE:

If the bobbin case is not properly placed back into the machine, it will fall out from the shuttle immediately after starting to sew.

- ① Bobbin case latch
- ② Bobbin case finger
- ③ Tension spring
- ④ Metal finger
- ⑤ Notch

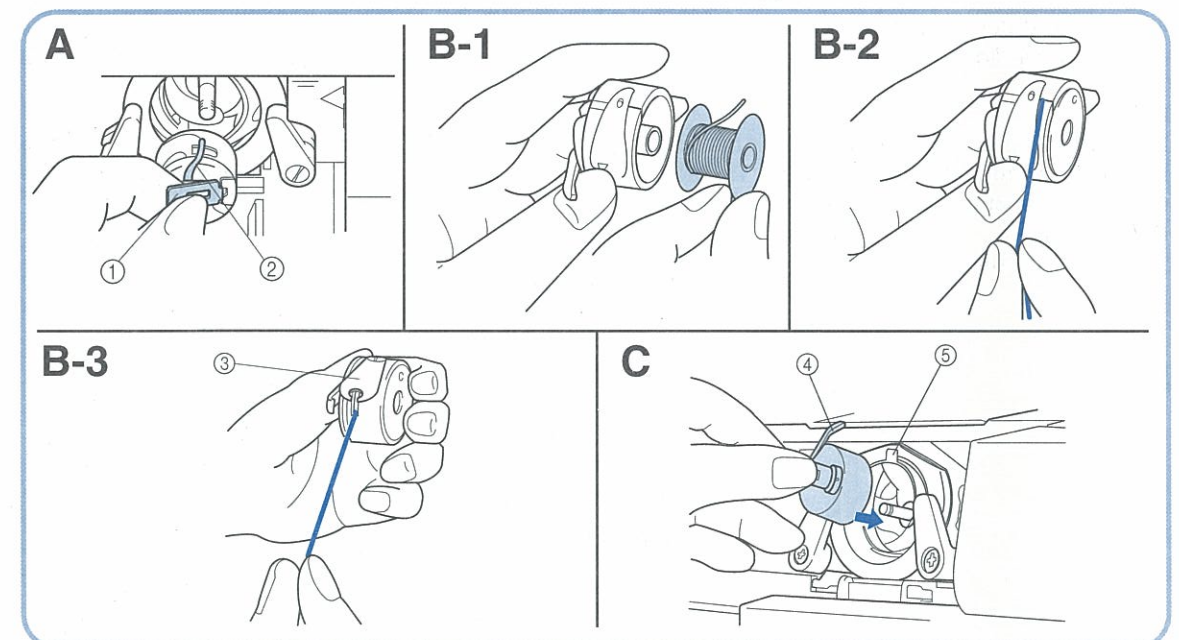
Enhebrado inferior

- Levante la aguja a su posición más alta, girando la ruedecilla hacia usted (en el sentido contrario al de las manecillas de un reloj) y levante la palanca del prensatelas.
- Abra la tapa del porta accesorios de la mesa extensible, en la parte delantera de la máquina, y retire el portacanillas de la máquina, tirando la uña metálica (pestillo) hacia usted y sacándola de su alojamiento (**fig. A**).
- Tire unos 10 cm (4") de hilo de una canilla llena e inserte la canilla en su alojamiento. Tire del hilo suelto y páselo por la hendidura, abajo y hacia la izquierda, tal como se indica a continuación en la **fig. B**, hasta que quepa dentro del ojo de entrega, debajo del resorte tensor.
- Sujetando el portacanillas por la uña metálica, introduzca todo el conjunto en el alojamiento y suelte el pestillo. Asegúrese de que la uñeta metálica se encaje en la ranura arriba tal como se indica en la **fig. C** a continuación.

NOTA:

Si el portacanillas no se encuentra bien colocado en la máquina, se saldrá de su alojamiento inmediatamente después de empezar a coser.

- ① Pestillo del portacanillas
- ② Uñeta del portacanillas
- ③ Resorte tensor
- ④ Uñeta metálica
- ⑤ Hendidura

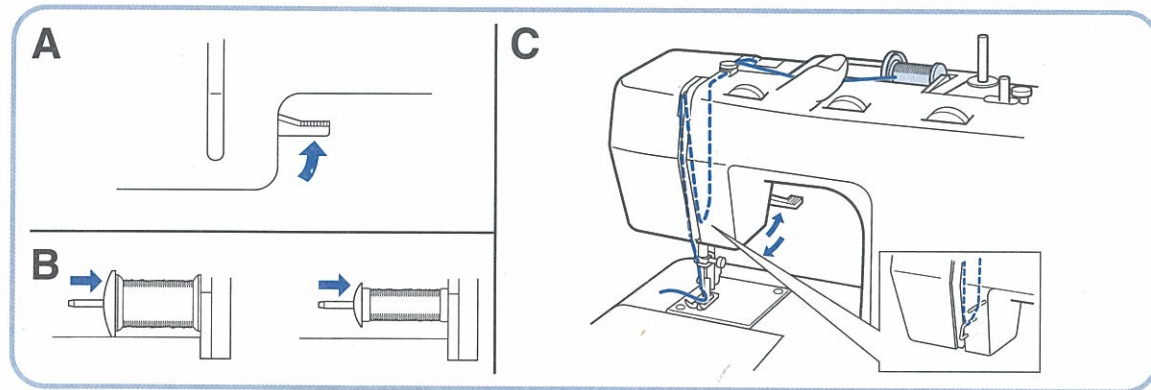


Upper Threading

1. Raise the presser foot using the Presser Foot Lever as shown in **fig. A** below.
2. Raise the needle to its highest position by turning the balance wheel toward you (counterclockwise).
3. Place a spool of thread on the horizontal spool pin and press a spool holder onto the spool pin to hold the thread spool firmly in place.

NOTE:

Choose an appropriate spool holder according to the type and diameter of the spool being used. The diameter of the spool holder should be just larger than that of the spool itself as shown below in **fig. B**.

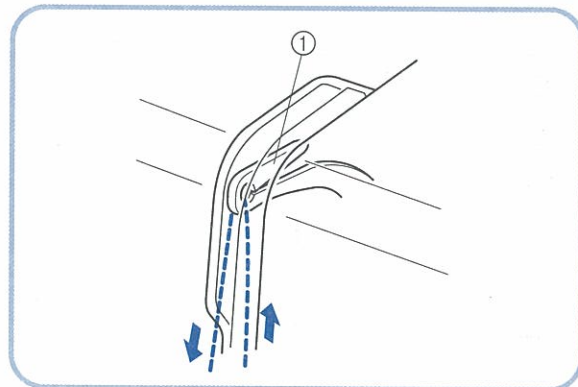


4. Pass the upper thread through the thread guides as shown in **fig. C**.

NOTE:

Make sure to guide the thread through the thread take-up lever from the right to the left. Thread the needle from front to back and pull out about 15 cm (6") of thread.

① Thread take-up lever



Enhebrado superior

1. Levante el prensatelas con la palanca correspondiente, tal como ilustrado en la **fig. A** a continuación.
2. Levante la aguja a su posición más alta, girando la ruedecilla hacia usted (en el sentido contrario al de las manecillas de un reloj).
3. Coloque un carrete de hilo en el portabobinas horizontal previsto y manténgalo firmemente con el fleje para que no se mueva.

NOTA:

Escoger un soporte de carrete apropiado dependiendo del tipo y diámetro del carrete empleado. El diámetro del soporte del carrete debe ser sólo un poco más ancho que el del carrete, tal como ilustra la **fig. B**.

4. Pase el hilo superior en las guías correspondientes, tal como se indica en la **fig. C**.

NOTA:

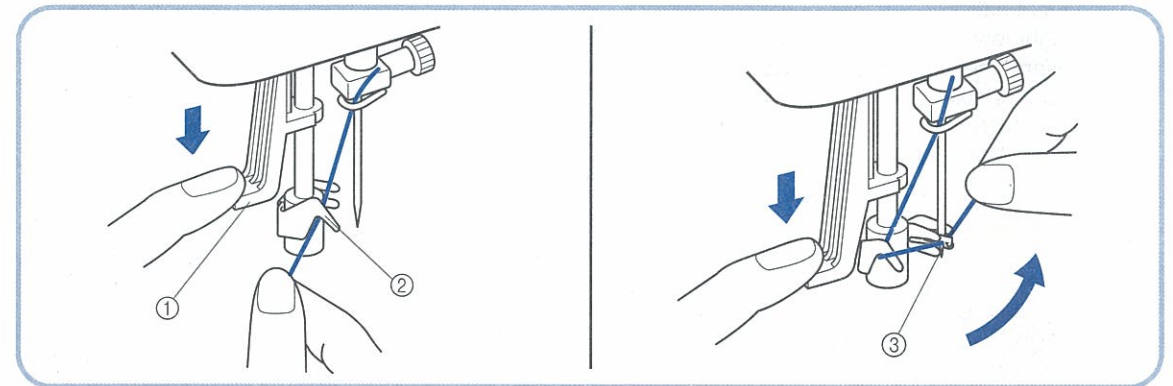
Asegúrese de guiar el hilo por la palanca tirahilos de la derecha a la izquierda. Enhebre la aguja de delante hacia atrás y tire unos 15 cm (6") de hilo.

① Palanca tirahilos

Using needle threader (When the machine is equipped with a needle threader)

The needle threader can be used to thread the needle more easily.

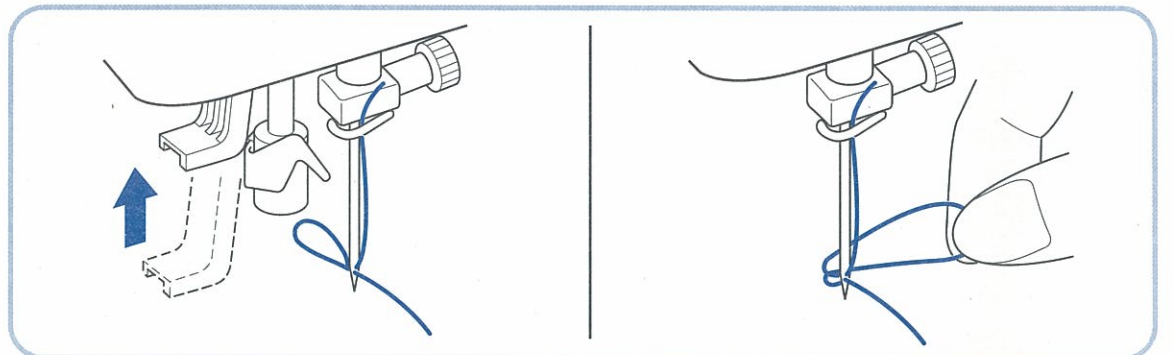
1. Lower the presser foot lever.
Lower the threader slightly and position the thread under the guide.
 - ① Needle threader
 - ② Guide
2. Move the threader to its lowest position and guide the thread under the hook which passes through the eye of the needle.
 - ③ Hook



3. Release the threader and the thread at the same time.
This causes the threader to deliver the thread through the eye of the needle.
4. Pull out about 5 cm (2 inches) of thread through the needle.

NOTE:

Some needle/thread combinations will not work with the needle threader. See page 28.



Uso del enhebrador (Cuando la máquina está provista de un enhebrador de aguja)

Se puede usar el enhebrador para enhebrar la aguja más fácilmente.

1. Bajar la palanca de la pata prensatelas.
Bajar en enhebrador suavemente y colocar el hilo bajo la guía.
 - ① Enhebrador
 - ② Guía
2. Mover el enhebrador hasta su posición más baja y guiar el hilo por debajo del gancho que pasa por el ojo de la aguja.
 - ③ Gancho

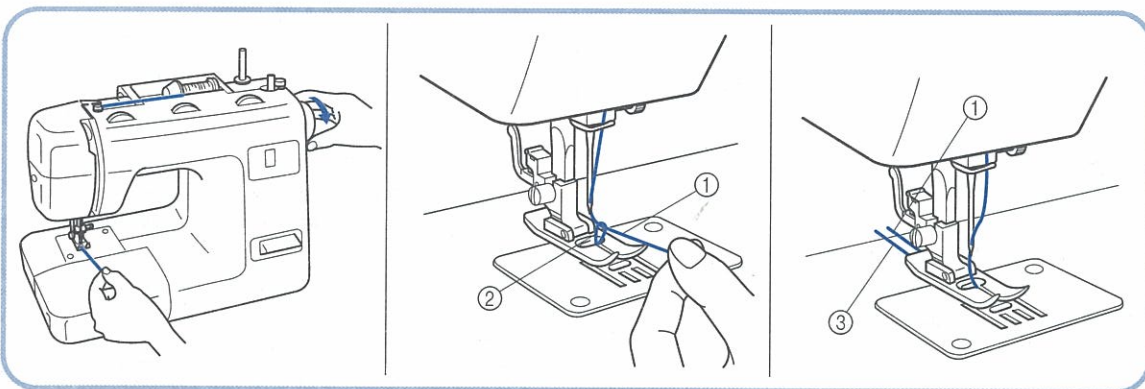
3. Soltar el enhebrador y el hilo al mismo tiempo.
Esto provocará que el hilo salga por el ojo de la aguja.
4. Sacar unos 5 cm de hilo por la aguja.

NOTA:

Con algunas combinaciones de hilo-aguja, no puede utilizarse el enhebrador.
Ver página 29.

Drawing Up Lower Thread

1. Raise the presser foot and the needle to their highest positions.
2. With your left hand, hold the end of the upper thread. With your right hand, turn the balance wheel toward you (counterclockwise) until the needle moves down and back up again to its highest position.
3. The upper thread should have caught the lower thread in a loop. Pull the upper thread toward you and the lower thread will come up from the bobbin in a large loop.
4. Pull out about 15 cm (6") of both threads and place them between the toes of the presser foot to the right toward the back of the machine and pull toward the back of the machine straight behind the presser foot.
 - ① Upper thread
 - ② Lower thread loop
 - ③ Lower thread



Para sacar el hilo de la canilla

1. Levante el prensatelas y la aguja a sus posiciones más elevadas.
2. Con la mano izquierda, sujete el extremo del hilo superior. Con la mano derecha, gire la ruedecilla hacia usted (en el sentido contrario al de las manecillas de un reloj) hasta que la aguja vaya hacia abajo y suba a su posición más alta.
3. El hilo superior debe haber enganchado el hilo inferior y hacer una lazada. Tire del hilo superior hacia usted y el hilo inferior saldrá de la canilla en una baga larga.
4. Tire unos 15 cm (6") de cada uno de los hilos y páselos entre los salientes del prensatelas, a la derecha, hacia la parte posterior de la máquina. Luego tire hacia atrás justo detrás del prensatelas.
 - ① Hilo superior
 - ② Baga en el hilo inferior
 - ③ Hilo inferior

Twin Needle Sewing

Your sewing machine is designed for twin needle sewing which allows your machine to sew with two top threads. You can use the same color or two different colors of thread for decorative stitches. Twin needle sewing works well with these stitches: the Straight Stitch (2), the Zigzag Stitch (3) and the Triple Stretch Stitch (21).

INSERTING THE TWIN NEEDLE

Insert in the same way a single needle is inserted (refer to page 6). The flat side of the needle should face toward the back and the rounded side should face toward you.

PLACING THE EXTRA SPOOL PIN

Place the vertical spool pin in the hole found on top of the machine near the horizontal spool pin. Place the second spool of thread onto the vertical spool pin as shown in **fig. A**.

TWIN NEEDLE THREADING

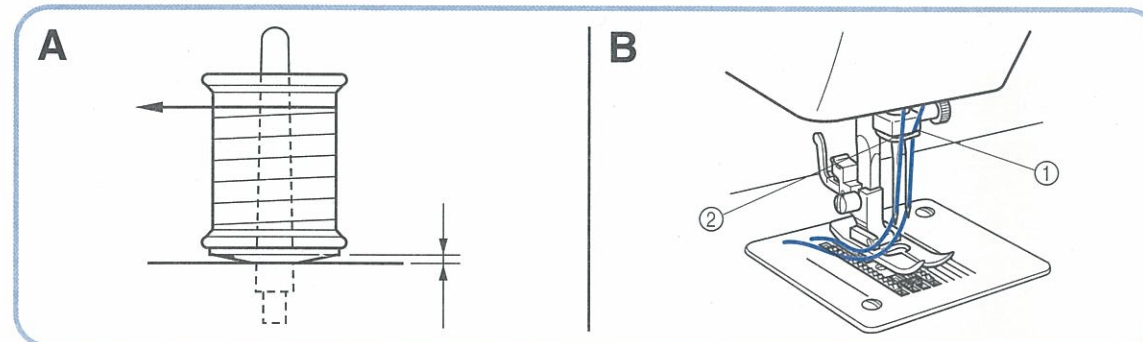
Each needle should be threaded separately.

1. Threading the Right Needle

Follow the same instructions for single needle threading using the thread from the spool on the extra spool pin. See page 23 for more details.
2. Threading the Left Needle

Thread the left needle in the same manner that the right needle was threaded, but do not pass the thread through the thread guide above the needle before passing it through the eye of the left needle as shown below in **fig. B**.

 - ① Right needle thread passes through this guide.
 - ② Left needle thread in front of this guide.



Costura con aguja doble

Su máquina de coser ha sido concebida para poder utilizar una aguja doble y permitir la costura con dos hilos superiores. Puede usar el mismo color de hilo o dos hilos de colores distintos para puntadas decorativas. Las costuras con aguja doble dan muy buenos resultados con las siguientes puntadas: la puntada recta (2), la puntada zigzag (3) y la triple puntada pespunt (21).

Para introducir la aguja doble.

Introdúzcala de la misma manera que una aguja simple (véase página 6). La parte plana de la aguja debe estar cara hacia atrás mientras que la parte redonda está cara a usted.

Colocado el eje de carrete suplementario

Coloque el eje de carrete vertical en el orificio previsto arriba de la máquina, cerca del eje horizontal. Instale el segundo carrete de hilo en el eje vertical, tal como ilustrado en la **fig. A**.

Enhebrado de la aguja doble

Cada una de las agujas debe ser enhebrada por separado.

1. Enhebrado de la aguja derecha

Observe las mismas instrucciones que para el enhebrado de una sola aguja, pero utilizando el hilo del carrete colocado en el porta carretes extra. (véase página 23 para mayores detalles al respecto).
2. Enhebrado de la aguja izquierda

Enhebre la aguja izquierda de la misma manera que la aguja derecha. Sin embargo, no hay que pasar el hilo por la guía que se sitúa arriba de la aguja. Conviene pasarlo directamente por el ojo de la aguja izquierda, tal como ilustrado arriba en la **fig. B**.

 - ① El hilo de la aguja derecha pasa por la guía.
 - ② El hilo de la aguja izquierda pasa delante de la guía.

Thread Tension

Thread tension will affect the quality of your stitches. It may need to be adjusted when you change fabric or thread type.

NOTE:

It is recommended that a test sample be made on a fabric scrap before sewing on your project.

Possible misadjustments and their results

A Upper tension is too tight.

Locks appear on the surface of the fabric.

A-1 Upper Tension Control Dial

Decrease the tension by turning the dial to a lower number.

or

A-2 Bobbin

Increase the tension in the bobbin by turning the screw with the enclosed small screwdriver in a clockwise direction.

B Upper tension is too loose.

Locks appear on the reverse side of the fabric.

B-1 Upper Tension Control Dial

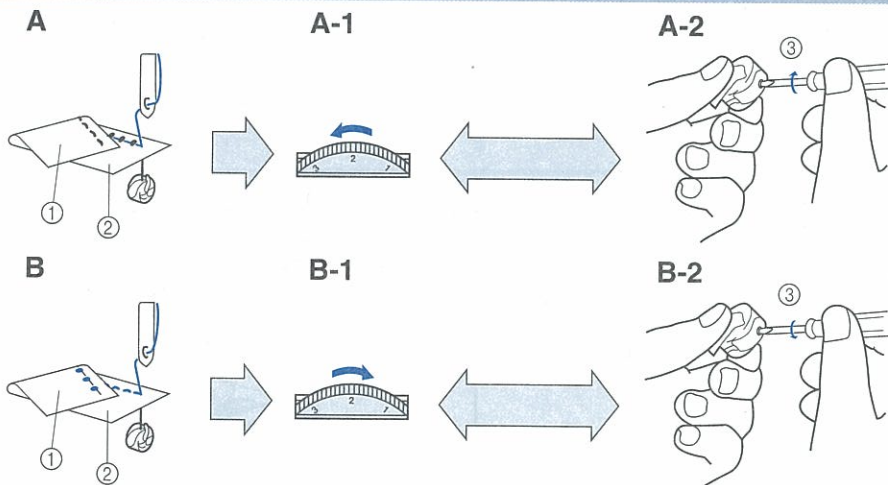
Increase the tension by turning the dial to a higher number.

or

B-2 Bobbin

Decrease the tension in the bobbin by turning the screw with the enclosed small screwdriver in a counterclockwise direction.

- ① Reverse
- ② Surface
- ③ Bobbin



Tensión de los hilos

La tensión de los hilos afectará la calidad de las puntadas: puede requerir cierto ajuste cuando cambia de tejido o hilo.

NOTA:

Le recomendamos hacer una prueba en un pedazo de tela antes de empezar a coser en el tejido de trabajo.

Ajustes erróneos posibles y sus resultados

A El hilo superior es demasiado tirante

Aparecen bagas en la superficie del tejido.

A-1 Disco de control de la tensión superior

Disminuya la tensión al poner el disco en un número inferior.

ó

A-2 Canilla

Aumente la tensión del hilo de la canilla al apretar el tornillo, en el sentido de las manecillas de un reloj, con el pequeño destornillador suministrado.

B La tensión del hilo superior es insuficiente

Aparecen bagas en el revés del tejido.

B-1 Disco de control de la tensión superior

Aumente la tensión al poner el disco en un número superior.

ó

B-2 Canilla

Disminuya la tensión del hilo de la canilla al aflojar el tornillo, girándolo en el sentido contrario al de las manecillas de un reloj, con el pequeño destornillador suministrado.

- ① Revés
- ② Derecho
- ③ Canilla

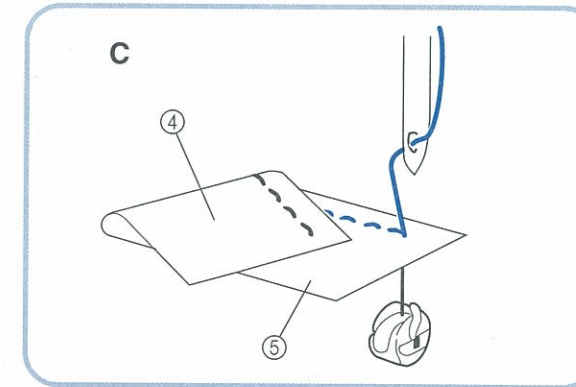
C Correct tension

Correct tension is important since too much or too little tension will weaken your seams or cause puckers on your fabric.

C Tensión correcta

Es necesario tener una tensión correcta dado que una tensión insuficiente o demasiado fuerte va a debilitar sus costuras o fruncir el tejido.

- ④ Reverse
- ⑤ Surface



- ④ Revés
- ⑤ Derecho

RELATIVE CHART OF SEWING FABRICS, NEEDLES AND THREADS

SEWING FABRICS		NEEDLE SIZES	THREAD SIZES
VERY THIN	Fine Tricot, Fine Lace, Thin Linen, Silk, Organza, Chiffon	9	Cotton: 80 Synthetic Fine Mercerized Cotton
LIGHTWEIGHT	Voile, Taffeta, Synthetics, Silk, Batiste	11	Cotton: 60~80 Silk: "A" Synthetic Mercerized 50
MEDIUM WEIGHT	Cotton, Gingham, Poplin, Percale, Pique, Satin, Velvet, Lightweight Wool, Fine Corduroy, Suitings, Linen, Muslin	14 (Supplied with your machine)	Cotton: 50~60 Silk: "A" Synthetic Mercerized 50~60
HEAVYWEIGHT	Denim, Gabardine, Tweed, Corduroy, Canvas, Duck	16	Cotton: 40~50 Mercerized Heavy Duty
KNITS	Single Knit, Double Knit, Jersey, Tricot	Ball point 14	Cotton Wrapped Polyester

NOTE:

1. Select the correct needle and thread size from the above chart.
2. Use the same size thread for the upper and lower threads (spool and bobbin).

Tabla de relación entre tejidos, hilos y agujas

Tejidos		Tamaño de aguja	Tamaño de hilo
Muy fino	Punto fino, Encaje fino, Lino fino, Seda, Tul, Gasa	9	Algodón: 80 Sintético Algodón Mercería fina.
Ligero	Velo, Tafetán, Sintéticos, Seda, Batista	11	Algodón: 60~80 Seda: "A" Sintético Mercería 50.
Medio	Algodón, Guinga, Popelina, Percal, Piqué, Satén, Terciopelo, Lana ligera, Pana fina, Forros, Lino, Muselina	14 (provista con su máquina)	Algodón: 50~60 Seda "A" Sintético Mercería 50~60
Pesado	Tejano, Gabardina, Tweed, Pana, Toldo, Dril	16	Algodón: 40~50 Hilo Mercería gruesa.
Prendas de punto	Prendas de punto simple, Prendas de punto doble, Jersey, Tricot	de bola 14	Poliéster envuelto de algodón

NOTA:

1. Elija la aguja y el hilo correctos en la tabla arriba.
2. Utilice el mismo tamaño de hilo para los hilos superior e inferior (carrete y canilla).

Straight Stitching

Pattern	Stitch Length	Stitch Width
2 (Straight Stitch)	1-4	5
21 (Triple Stretch Stitch)	Fixed 2.5	

Starting Sewing

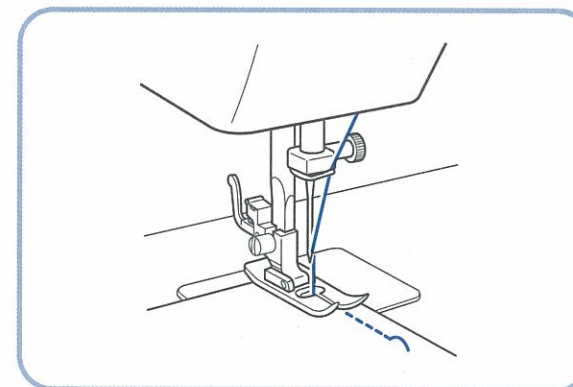
1. Turn the Pattern Selection Dial to show your desired stitch on the Pattern Indication Window. Set the Pattern Selection Dial to 2 or 21 for the type of Straight Stitch required.
2. Raise the needle to its highest position and lift the presser foot lever.
3. Pull up the lower thread by turning the balance wheel toward you (counterclockwise) and place both the upper and lower threads toward the back of the presser foot.
4. Place the fabric under the presser foot and position the needle 1 cm (3/8") from the edge of the fabric.
5. Lower the presser foot.
6. To backtack, push the Reverse Sewing Button in as far as possible and lightly touch the foot controller. Reverse sewing is used for locking the end of seams and where reinforcement is needed.
7. Release the Reverse Sewing Button and start sewing in the forward direction by applying pressure to the foot controller.

Puntadas rectas

Número de puntada	Largo de puntada	Ancho de puntada
2 (Puntada recta)	1-4	5
21 (Triple Puntada Pespunto)	Fija 2,5	

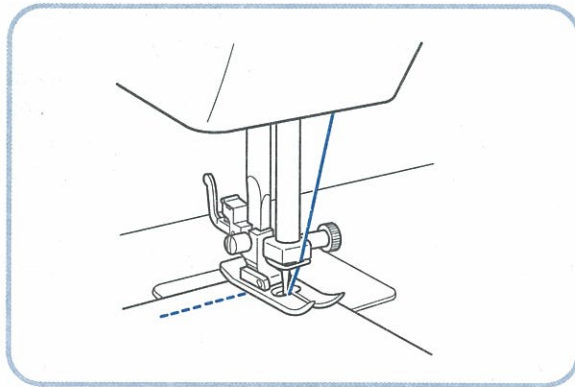
Para empezar a coser

1. Gire el selector de puntadas para ver la puntada deseada en la ventana de indicación correspondiente. Ponga dicho selector de puntadas en 2 ó 21 según el tipo de puntada recta deseado.
2. Levante la aguja a su posición más alta y levante la palanca del prensatelas.
3. Saque el hilo inferior girando la ruedecilla hacia usted (en el sentido contrario al de las manecillas de un reloj) y tire los hilos superior e inferior hacia la parte atrás del prensatelas.
4. Coloque el tejido debajo del prensatelas y posicione la aguja a 1 cm (3/8") de la orilla del tejido.
5. Baje el prensatelas.
6. Para retroceder, apriete a fondo el pulsador de retroceso y presione ligeramente el pedal. El retroceso sirve para finalizar una costura o reforzarla, tal como aparece a continuación.
7. Suelte el pulsador de retroceso y vuelva a coser hacia adelante, presionando el pedal.



Changing Sewing Direction

1. Stop the machine at the point where you wish to change directions with the needle still in the fabric.
2. Raise the presser foot and turn the fabric to line up its new direction using the needle as a turning point.
3. Lower the presser foot and start sewing in the new direction.



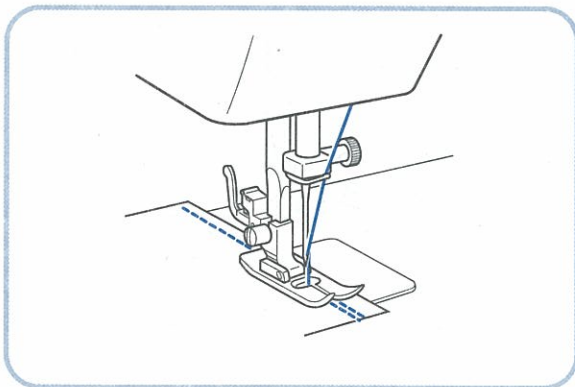
Cambio de sentido de costura

1. Pare la máquina en donde quiera cambiar de dirección, con la aguja picada en el tejido.
2. Levante el prensatelas y gire el tejido en la dirección que debe seguir, usando la aguja como placa giratoria.
3. Baje el prensatelas y empiece a coser en la nueva dirección tal como ilustrado.

Finishing Sewing

Reverse stitching is used to lock the threads at the end of the seam or wherever reinforcement is needed.

1. Stitch to the end of the seam and stop.
2. Push the Reverse Sewing Button and lightly touch the foot controller to stitch backwards for 1 cm (3/8") from the end of the fabric.



Para terminar las costuras

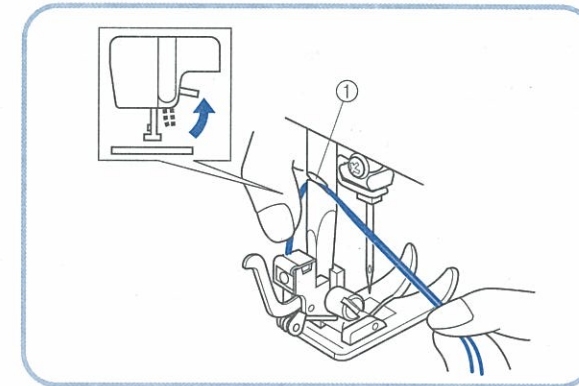
La puntada de retroceso se usa para trabar los hilos al final de una costura o en cualquier punto donde sea necesario reforzar la costura.

1. Cosá hasta el final de la costura y pare.
2. Apriete el pulsador de retroceso y presione suavemente el pedal para coser hacia atrás hasta 1 cm (3/8") de la orilla del tejido.

Removing the Material from the Machine

1. Stop the machine.
2. Raise the needle to its highest position and make sure that the thread take-up lever is also in its highest position.
3. Lift the presser foot and pull the fabric out gently to the left side.
4. Cut both threads using the thread cutter located on the back of the presser foot bar.
5. To prepare the machine for the next seam, pull about 10 cm (4") of thread through the toes of the presser foot toward the back of the machine.

① Thread cutter



Top Stitching and Stretch Materials

No. 2 (Straight Stitch) is used for top stitching and sewing lightweight fabrics.

No.21 (Triple Stretch Stitch) is used for stretch fabrics.

Para retirar el tejido de la máquina

1. Pare la máquina.
2. Levante la aguja a su posición más alta y asegúrese de que la palanca tirahilos esté también en su posición más elevada.
3. Levante el prensatelas y saque suavemente el tejido por la izquierda.
4. Corte ambos hilos usando el cortador que se encuentra detrás de la barra del prensatelas.
5. Con el fin de dejar la máquina preparada para la próxima costura, tire unos 10 cm (4") del hilo inferior y páselo por los salientes del prensatelas hacia la parte posterior de la máquina.

① Cortador de hilos

Puntadas en derecho y tejidos elásticos

La puntada No 2 (Puntada Recta) se usa para costuras en el lado derecho y de materiales ligeros. La puntada No 21 (Triple Puntada Pespunto) se usa para los tejidos elásticos.

Zigzag Stitching

Pattern	Stitch Length	Stitch Width
3 (Zigzag Stitch)	F-4	0-5

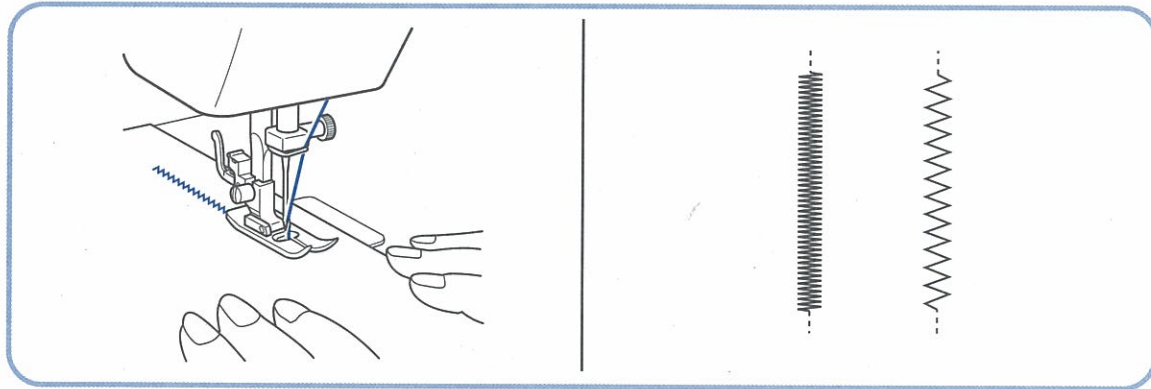
ZIGZAG STITCH

Select the Zigzag Stitch (3) using the Pattern Selection Dial. Then, select the Stitch Length and the Stitch Width.

It is recommended to sew using the Straight Stitch at the beginning and end of the Zigzag Stitches.

SATIN STITCH

When the Zigzag Stitch length is set in the "F" range, it produces a Satin Stitch (a close Zigzag Stitch). The Satin Stitch can be used for making buttonholes and decorative stitches. Select the Zigzag Stitch (3), then set the stitch length in the "F" range and the stitch width.



Puntadas zigzag

Número de puntada	Largo de puntada	Ancho de puntada
3 (Puntada Zigzag)	F-4	0-5

Puntada zigzag

Con el selector de puntadas, escoja la puntada zigzag (3). Luego, seleccione el largo y el ancho de la puntada.

Se recomienda coser con puntada recta al principio y al final de unas puntadas zigzag.

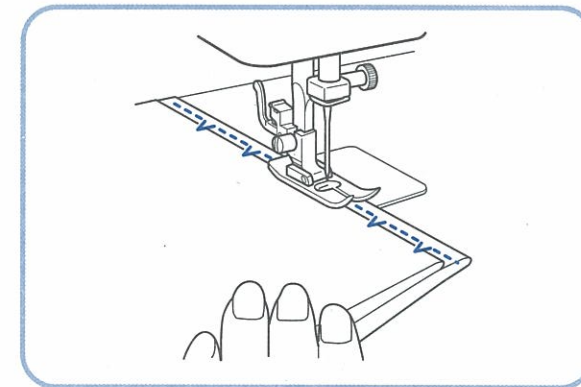
Puntada de realce

Cuando se define el largo de la puntada en la parte "F", se coserán puntadas tupidas (puntada zigzag muy cerradas) que pueden servir para hacer ojales o como puntadas decorativas. Seleccione la puntada zigzag (3). Luego, ponga el largo de puntada en la zona "F" y ajuste el ancho de puntada deseado.

Blind Hem Stitching

Pattern	Stitch Length	Stitch Width
4 (Blind Hem Stitch)	F-2	3-5
7 (Stretch Blind Stitch)	F-1.5	

The Blind Hem Stitch is used to finish the edge of a project like the bottom of a pair of pants without the stitch showing. Use the Blind Hem Stitch (4) for any non-stretch fabrics and the Stretch Blind Stitch (7) for stretch fabrics.



- Both the threads should be the same color as the fabric.
- Fold back the fabric to the desired location of the hem as shown in **fig. A**. Then, fold the edge of the fabric as in **fig. B**. Leave a 6 mm (1/4") overlap at the edge.
- Set the Pattern Selection Dial to either 4 or 7 and set the stitch length and width.
- Sew on the fold as in **fig. C**.
- When the fabric is unfolded you will have a Blind Stitch hem as shown in **fig. D**.

NOTE:

The Stretch Blind Stitch is useful for stretch fabrics.

Puntadas Invisibles

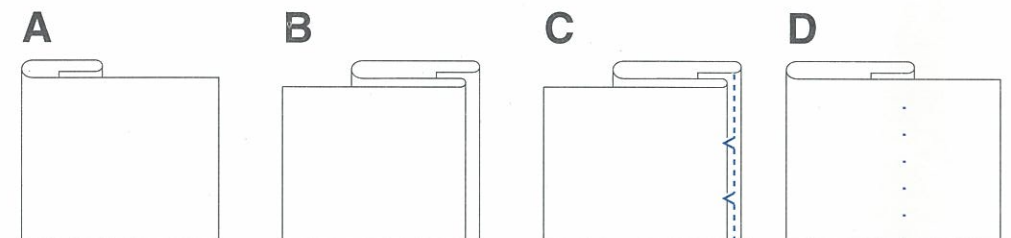
Número de puntada	Largo de puntada	Ancho de puntada
4 (Puntada Invisible)	F-2	3-5
7 (Puntada Invisible Elástica)	F-1,5	

La puntada de dobladillo invisible se usa para terminar la orilla de una obra, tal como el borde inferior de unos pantalones, sin que se vean las puntadas. Utilice la Puntada Invisible (4) para cualquier tejido que no se estire y la Puntada Invisible Elástica (7) para los tejidos elásticos.

- Ambos hilos deben ser del mismo color que el tejido.
- Doble el tejido según la orilla que desee hacer tal como ilustra la **fig. A**. Luego, dele la vuelta tal como indica la **fig. B**. Deje unos 6 mm (1/4") sin coser para esconderlos.
- Ponga el selector de puntadas en 4 ó 7 ajuste en largo y ancho de la puntada.
- Cosa en el pliegue tal como muestra la **fig. C**.
- Al desdoblar el tejido, tendrá un dobladillo con puntada invisible tal como lo muestra la **fig. D**.

NOTA:

La Puntada Invisible Elástica se recomienda para tejidos elásticos.

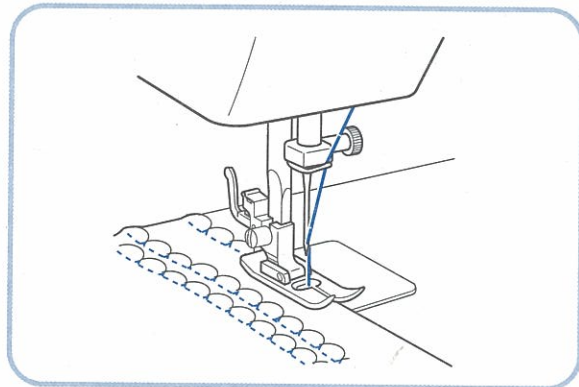


Shell Tuck Stitching

Pattern	Stitch Length	Stitch Width
5 (Shell Tuck Stitch)	F-3	3-5

The Shell Tuck Stitch can be used to sew a picot (lace like) edge on a lightweight fabric.

1. Set the Pattern Selection Dial to 5.
2. Sew the fabric on the bias, placing it under the presser foot so that the straight stitches are sewn on the seamline and the zigzag stitches are sewn slightly over the folded edge.
3. This stitch requires a tighter thread tension than normal.
4. Sew at a slow speed.



Puntada Ondas

Número de puntada	Largo de puntada	Ancho de puntada
5 (Puntada Ondas)	F-3	3-5

La puntada ondas puede usarse para coser una puntilla (como encaje) en un tejido fino.

1. Ponga el selector de puntadas en 5.
2. Cosa el tejido en el sesgo, situándolo debajo del prensatelas de tal forma que la puntada recta se cosa en líneas formando costura y que las puntadas zigzag cosan las puntillas de los dobladillos.
3. Este trabajo requiere aumentar un poco más la tensión de hilo que en condiciones normales.
4. Coser a velocidad lenta.

Elastic Stitching

Pattern	Stitch Length	Stitch Width
6 (Elastic Stitch)	F-2.5	3-5

The Elastic Stitch can be used for 3 functions: mending, sewing elastic or joining fabric. Each is explained below.

Set the Pattern Selection Dial to 6.

MENDING

1. Set the Stitch Length Dial between F and 2.5 and set the Stitch Width Dial between 3 and 5.
2. Place the reinforcement fabric under the tear to be mended.
3. Following the line of the tear, sew using the Elastic Stitch as illustrated in **fig. A**.

SEWING ELASTIC

1. Place the elastic on the fabric.
2. As you sew, stretch the elastic both in the front and behind the presser foot as shown in **fig. B**.

JOINING FABRIC

The Elastic Stitch can be used to join two pieces of fabric together and is very effective when sewing knitted fabrics. When nylon thread is used, the stitch will not be visible.

1. Place the edge of the two pieces of fabric together and center them under the presser foot.
2. Sew them together using the Elastic Stitch taking care to keep the two fabric edges close together as shown in **fig. C**.

Puntada elástica

Número de puntada	Largo de puntada	Ancho de puntada
6 (Puntada Elástica)	F-2,5	3-5

Se puede usar la puntada elástica para tres operaciones: los remiendos, la inserción de gomas elásticas y como puntada de unión para juntar dos tejidos.

Cada una de estas operaciones se detalla a continuación.

REMIENDOS

1. Ponga el selector de largo de puntada entre F y 2,5 y el selector de ancho entre 3 y 5.
2. Coloque una tela de refuerzo debajo de la parte a remendar.
3. Siguiendo la línea de la rasgadura, cosa con la puntada elástica tal como ilustrado en la **fig. A**.

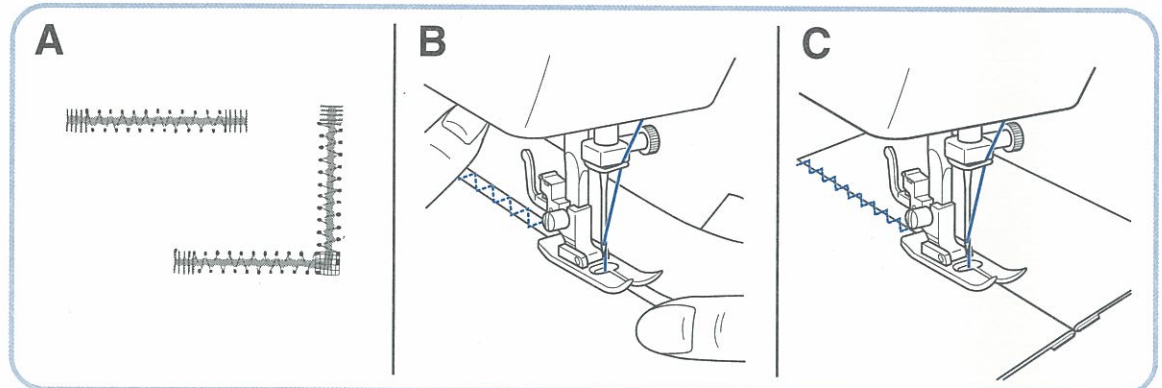
INSERCIÓN DE GOMAS ELÁSTICAS

1. Ponga la goma sobre el tejido.
2. A medida que esté cosiendo, estire el elástico tanto delante como detrás del prensatelas tal como se muestra en la **fig. B**.

PUNTADA DE UNIÓN

La puntada elástica puede servir para unir dos trozos de tejido y resulta muy eficiente para la costura de prendas de punto. Si se usa un hilo de nilón, la puntada resultará invisible.

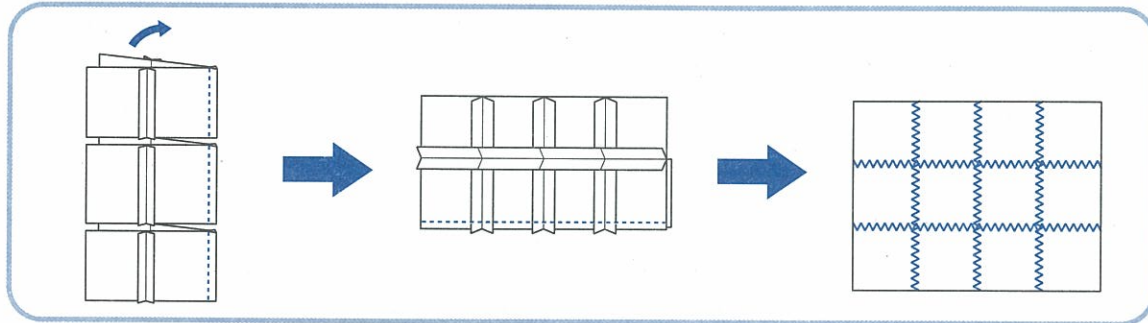
1. Junte las orillas de ambos trozos de tejido y céntrelas debajo del prensatelas.
2. Cosalas juntas con la Puntada Elástica, teniendo sumo cuidado en mantener las dos orillas de los tejidos muy juntas, tal como se aprecia en la **fig. C**.



Double Action Stitching

Pattern	Stitch Length	Stitch Width
8 (Double Action Stitch)	F-3	3-5

This stitch is used for joining two pieces of fabric, for example, when making patchwork. Set the Pattern Selection Dial to 8.

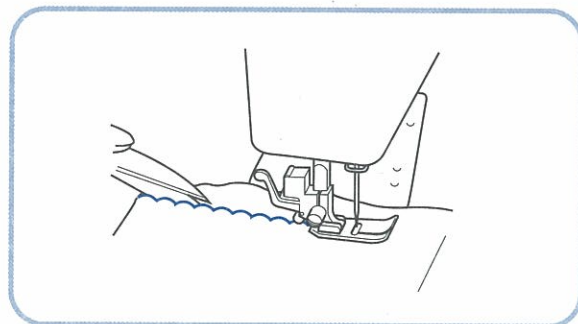


Scallop Stitching

Pattern	Stitch Length	Stitch Width
9 (Scallop Stitch)	F-15	3-5

This machine automatically produces a Scallop Stitch which may be used as a decorative edging.

1. Set the Pattern Selection Dial to 9.
2. Sew the Scallop Stitch along the edge of the material.
3. If desired, trim around the scallop with scissors to create a scalloped edge. Be careful not to cut the thread.



Puntada de Unión

Número de puntada	Largo de puntada	Ancho de puntada
8 (Puntada de Unión)	F-3	3-5

Esta puntada se usa para unir piezas de tejido o realizar trabajos como el patchwork. Ponga el selector de puntadas en 8.

Ondas decorativas

Número de puntada	Largo de puntada	Ancho de puntada
9 (Puntada Festón)	F-1,5	3-5

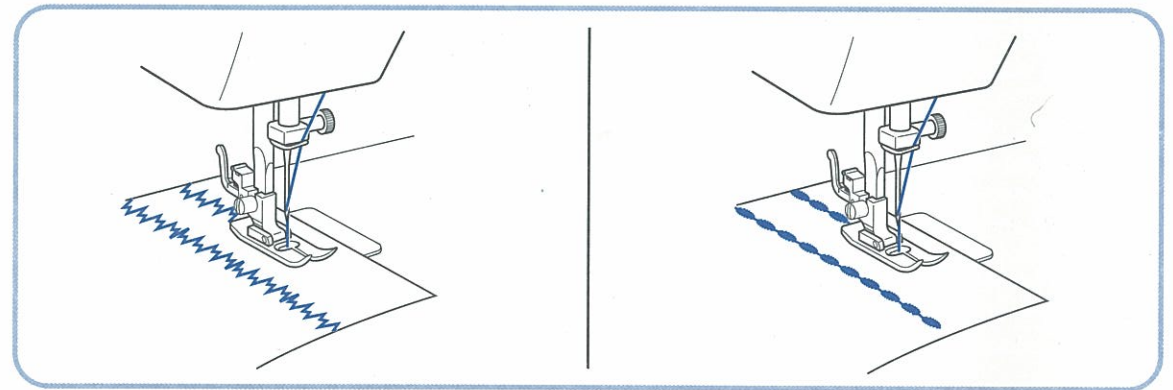
Esta máquina puede realizar automáticamente unas ondas decorativas que pueden servir para decorar los bordes de la tela.

1. Ponga el selector de puntadas en 9.
2. Cosa las ondas decorativas a lo largo del borde del material.
3. Si lo desea, corte el borde con tijeras, siguiendo las ondas para crear un borde festonado. Sin embargo, tenga sumo cuidado en no cortar el hilo.

Decorative Stitching

Pattern	Stitch Length	Stitch Width
10 (Lightning Stitch)	F-1	5
11 (Bead Stitch)		3-5

These two stitches can be used for making decorative top stitching and for smocking. Set the Pattern Selection Dial to 10 or 11.



Puntadas decorativas

Número de puntada	Largo de puntada	Ancho de puntada
10 (Puntada Escalera)	F-1	5
11 (Puntada Feston Doble)		3-5

Estas dos puntadas pueden servir para puntadas decorativas de "alta costura" y para hacer frunces decorativos.

Ponga el selector de puntada en 10 ó 11.

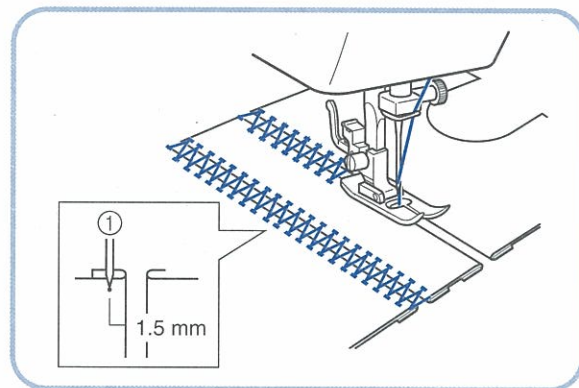
Patch work

Pattern	Stitch Length	Stitch Width
12 (Link Stitch)	Fixed 2.5	3-5
13 (Fagoting Stitch)		
14 (Leaf Stitch)		

These stitches are used to join two pieces of fabric while leaving a space between their edges.

1. Fold over the edges of the two pieces of fabric for the hem and baste the edges to a thin piece of paper leaving a small space between them.
2. Set the Pattern Selection Dial to 12, 13 or 14.
3. Stitch along the edge, pulling both threads slightly when beginning to sew.
 - Use thicker than normal threads for sewing.
4. After sewing, remove the basting and the paper. Finish by tying knots on the reverse side at the beginning and the end of the seams.

① First needle drop



Patch work

Número de puntada	Largo de puntada	Ancho de puntada
12 (Puntada Linear)	Fija 2,5	3-5
13 (Puntada Fagoting)		
14 (Puntada Festón Doble)		

Estas puntadas sirven para juntar dos piezas de tejido, dejando un espacio entre las dos orillas.

1. Doble las orillas de las dos piezas de tejido para el dobladillo e hilvánelas a un papel fino dejando un pequeño espacio entre ambas piezas.
2. Ponga el selector de puntada en 12, 13 ó 14.
3. Cosa a lo largo de las orillas, tirando ligeramente de ambos hilos al comienzo.
 - Use hilos más gruesos de lo normal.
4. Después de coser, quite los hilvanes y el papel. Anude los cabos de los hilos del comienzo y final de la costura por el revés.

① Primer pespunto de la aguja.

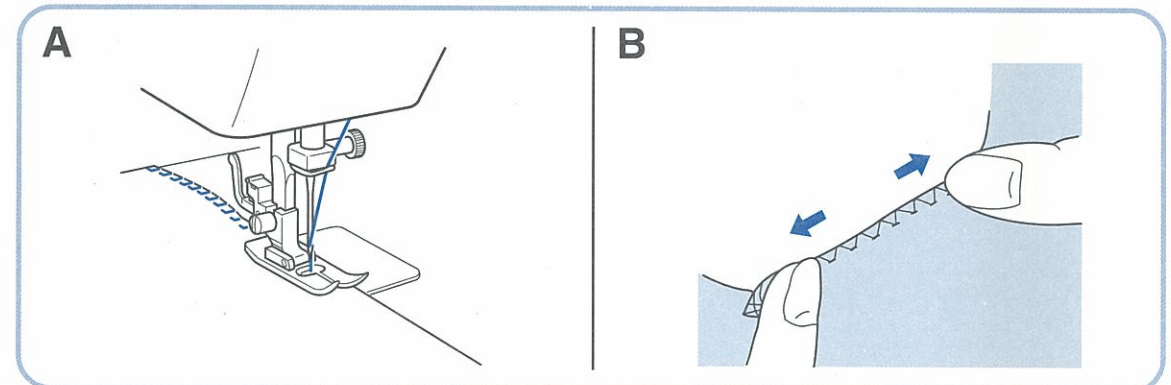
Overedge Stitching

Pattern	Stitch Length	Stitch Width
15 (Comb Stitch)	Fixed 2.5	3-5
16 (Arrowhead Stitch)		
18 (Slant Overlock Stitch)		
19 (Elastic Overlock Stitch)		

These stitches are used to join together seams and finish them in one operation. The Arrowhead Stitch is ideal for sewing the edge of a blanket, while the Elastic Overlock and Slant Overlock Stitches are useful when sewing stretch materials.

1. Set the Pattern Selection Dial to 15, 16, 18 or 19.
2. Position the fabric under the presser foot so that the seamline (or arrowhead point) is approximately 3 mm (1/8") to the left of the center of the presser foot. This stitch works best with a seam allowance of approximately 6 mm (1/4") as this allows the right (zigzag) side of the stitch to overlock the cut edge of the fabric as shown in **fig. A**.
3. If the seam allowance is wider than the stitch pattern, trim away any excess fabric after stitching.

A finished Elastic Overlock Stitch is shown in **fig. B**.



Puntada por encima de la orilla

Número de puntada	Largo de puntada	Ancho de puntada
15 (Puntada Peine)	Fija 2,5	3-5
16 (Puntada Flecha)		
18 (Puntada Overlock Estrecha)		
19 (Puntada Overlock Elástica)		

Estas puntadas se usan para juntar costuras y acabarlas en una sola operación. La Puntada de Flecha es ideal para coser las orillas de una manta, mientras que las Puntadas Overlock Elástica y Overlock Estrecha sirven para coser tejidos elásticos.

1. Ponga el selector de puntadas en 15, 16, 18 ó 19.
2. Coloque el tejido debajo del prensatelas para que la línea de costura (con la Puntada de Flecha) quede unos 3 mm (1/8") a la izquierda del centro del prensatelas. Esta puntada da los mejores resultados con una tolerancia de costura de unos 6 mm (1/4") dado que así permite a la parte derecha (zigzag) de la puntada enganchar la orilla cortada del tejido tal como ilustrado en la **fig. A**.
3. Si la tolerancia de costura es más ancha que la puntada, corte cualquier pedazo de tejido que sobre después de coser.

En la **fig. B**, puede ver una Puntada Overlock Elástica acabada.

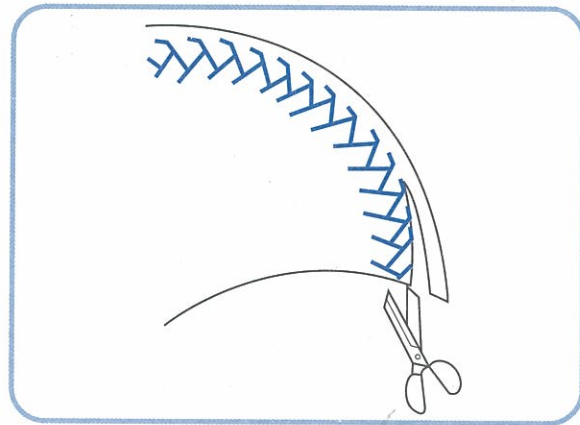
Feather Stitching

Pattern	Stitch Length	Stitch Width
17 (Feather Stitch)	Fixed 2.5	3-5

Use the Feather Stitch as a decorative top stitch or when hemming blankets, tablecloths or draperies or when embroidering.

1. Set the Pattern Selection Dial to 17.
2. Place the fabric right side up and sew 1 cm (3/8") from the edge of the fabric.
3. Trim close to the stitching.

The stitch will prevent the fabric from unravelling.



Puntada pluma

Número de puntada	Largo de puntada	Ancho de puntada
17 (Puntada Pluma)	Fija 2,5	3-5

La puntada pluma puede usarse como puntada de tope decorativo o para el dobladillo de frazadas, manteles, cortinas o bien para bordado.

1. Ponga el selector de puntadas en 17.
2. Coloque el tejido con el derecho arriba y cosa 1 cm (3/8") a partir de la orilla.
3. Corte el tejido cerca de las puntadas.

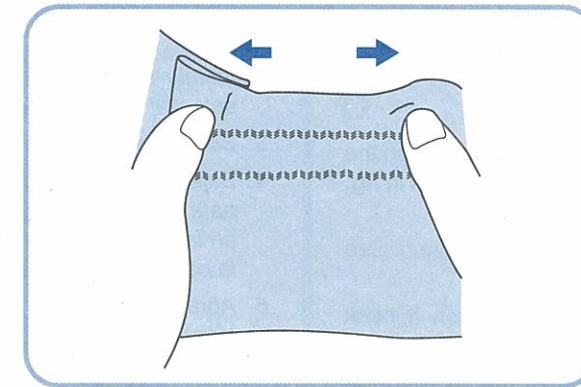
Con esta puntada, el tejido no podrá deshilacharse.

Triple Zigzag Stretch Stitching

Pattern	Stitch Length	Stitch Width
20 (Triple Zigzag Stretch Stitch)	Fixed 2.5	3-5

This stitch can be used to sew heavyweight stretch fabrics wherever a Zigzag Stitch could be used. The Triple Zigzag Stretch Stitch can also be used as a decorative top stitch.

Set the Pattern Selection Dial to 20.



Triple puntada zigzag elástica

Número de puntada	Largo de puntada	Ancho de puntada
20 (Triple Puntada Zigzag Elástica)	Fija 2,5	3-5

Esta puntada puede servir para coser materiales gruesos y pesados siempre y cuando una puntada zigzag pueda utilizarse. Esta puntada elástica de triple pespunto o puntada festón triple también puede servir como puntada decorativa en el derecho del tejido.

Ponga el selector de puntadas en 20.

Making a Buttonhole

Pattern	Stitch Length	Stitch Width	Foot
1	F-1.5	3-5	Buttonhole foot

NOTE:

1. It is recommended to practice making a buttonhole on a scrap piece of fabric before attempting it on the actual garment.
2. When making buttonholes on soft fabrics, place stabilizer material on the underside of the fabric.

One-step automatic buttonhole-making is a simple process that provides reliable results. MAKING A BUTTONHOLE

1. Using tailor's chalk, mark the position of the buttonhole on the fabric.
2. Attach the buttonhole foot and set the Pattern Selection Dial to 1.
3. Draw up the lower thread.
4. Lower the presser foot aligning the marks on the foot with the marks on the fabric as shown in **fig. A**. The front bar tack will be sewn first.
5. Open the button plate and insert the button. See **fig. B**.
6. Lower the buttonhole lever and push it back slightly as in **fig. C**.
7. While gently holding the upper thread, start the machine.
8. Buttonhole stitching is done in order, 1-4, as shown in **fig. D**.
9. Stop the machine when the bar tacks are sewn.

Para coser ojales

Número de Puntada	Largo de puntada	Ancho de puntada	Prensateles
1	F-1,5	3-5	Prensateles para ojales

NOTA:

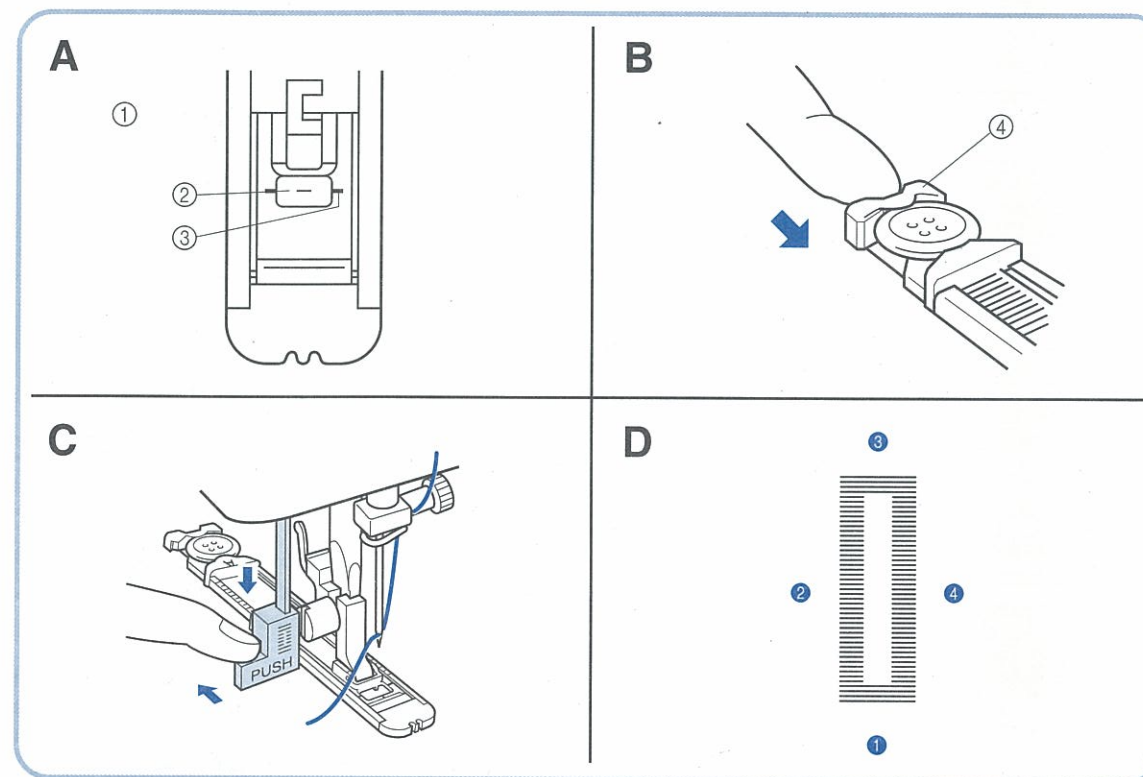
1. Le recomendamos hacer una prueba de costura de ojales en un pedazo de tela antes de empezar a hacerla en el tejido de trabajo.
2. Para hacer ojales en materiales muy finos, coloque un material estabilizador debajo del tejido.

La función de costura automática de ojales en una sola operación es un proceso simple que ofrece increíbles resultados. COSIDO DEL OJAL

1. Con jaboncillo, marque la posición del ojal en el tejido.
2. Instale el prensateles para ojales y ponga el selector de puntadas en 1.
3. Suba el hilo inferior.
4. Baje el prensateles para alinear las marcas de la pata con las marcas del tejido, tal como se indica en la **fig. A**. Se va a coser primero el remate de la parte delantera del ojal.
5. Abra la placa para botones e instale el botón. Véase **fig. B**.
6. Baje la palanca de la pata para ojales y vuelva a empujarla suavemente tal como ilustra la **fig. C**.
7. Sujete ligeramente el hilo superior y empiece a coser.
8. El cosido del ojal se hace por orden, de 1 a 4, tal como aparece en la **fig. D**.
9. Pare la máquina cuando todos los remates estén terminados.

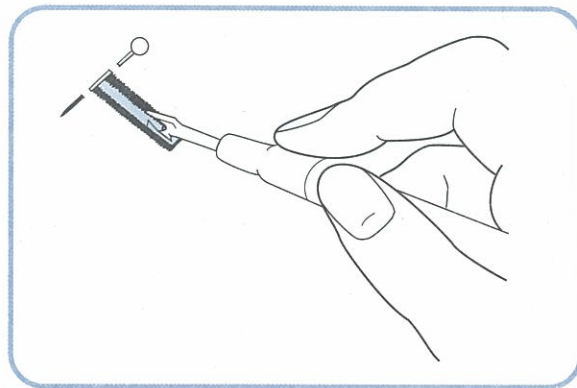
- ① Align the marks on the foot and on the fabric.
- ② Starting mark on the fabric
- ③ Marks on the foot
- ④ Button plate

- ① Alinee las marcas del prensateles con las del tejido.
- ② Marca de inicio en el tejido
- ③ Marcas en el prensateles.
- ④ Placa para botones.



SECURING THE STITCHING AND CUTTING THE BUTTONHOLE

1. To secure the stitching, turn the material 90 degrees counterclockwise and sew Straight Stitches (2) to the end of the front bar tack of the buttonhole.
2. Remove the material from the machine. It is recommended that pins be placed across both ends of the buttonhole as protection against cutting the stitches.
3. Cut an opening in the middle of the buttonhole with a seam ripper tool. Be careful not to cut through any stitches.



Para completar las puntadas y cortar el ojal

1. Para asegurar las puntadas, gire el tejido a 90 grados en el sentido contrario al de las manecillas de un reloj y cosa unas Puntadas Rectas (No 2) hasta el final de la línea del remate de la parte delantera.
2. Retire el tejido de la máquina. Se recomienda colocar alfileres en ambos extremos del ojal para evitar el corte de las puntadas.
3. Corte una apertura en el medio del ojal con el cortador especial que sirve para abrir costuras. Tenga cuidado en no cortar ninguna puntada.

Buttonhole Fine Adjustment

If the stitching on the two sides of the buttonhole do not appear uniform, the following adjustments can be made.

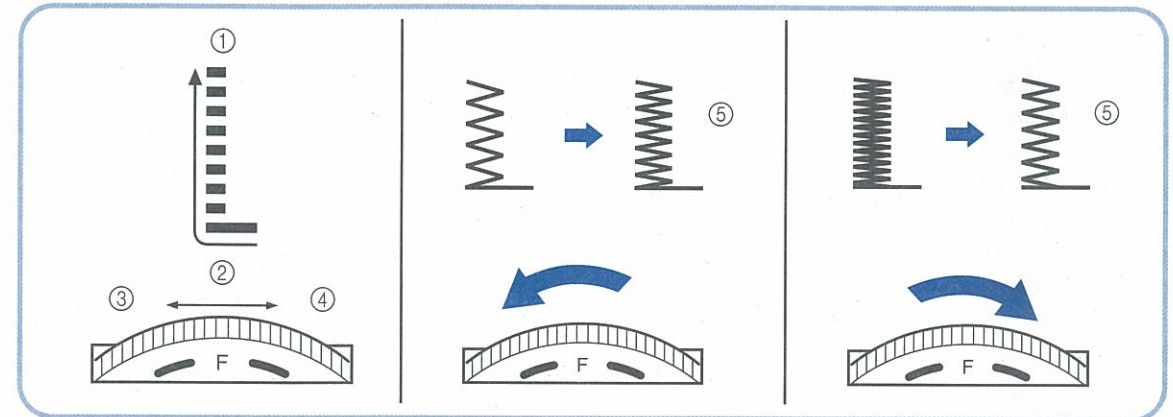
1. Set the Stitch Length Dial at "F" and stitch the left side of the buttonhole on a scrap of fabric while observing how the material is fed.
2. If the left side of the buttonhole is too coarse or fine, adjust the feeding of the material with the Stitch Length Dial.

Ajuste fino de los ojales

Si las puntadas en ambos lados del ojal no parecen ser uniformes, se pueden hacer los siguientes ajustes.

1. Ponga el selector de largo de puntada en "F" y cosa la parte izquierda del ojal en un pedazo de tejido, observando como se alimenta el tejido.
2. Si la parte izquierda del ojal es demasiado gruesa o fina, ajuste la alimentación del tejido con el selector de largo de puntada.

- ① Left row
- ② STITCH LENGTH
- ③ Shorter
- ④ Longer
- ⑤ In case



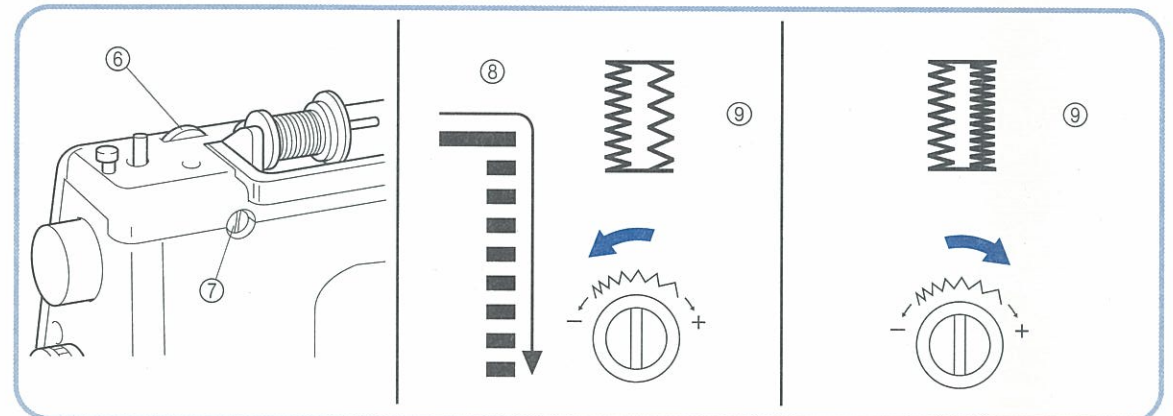
- ① Lado izquierdo
- ② Largo de puntada
- ③ Más corto
- ④ Más largo
- ⑤ En caso que

3. After obtaining a satisfactory feeding on the left side, stitch the right side of the buttonhole and observe the feeding.
4. If the right side is too coarse or fine compared to the left side, adjust the buttonhole fine adjustment screw as described below.

If the right side is too coarse, turn the screw with the enclosed large screwdriver in the - direction. If the right side is too fine, turn the screw with the enclosed large screwdriver in the + direction.

This adjustment allows both sides of the buttonhole to appear uniform.

- ⑥ Stitch length dial
- ⑦ Buttonhole fine adjusting screw
- ⑧ Right row
- ⑨ In case



3. Cuando se logró una alimentación correcta para la parte izquierda, cosa la parte derecha del ojal y mire de nuevo la alimentación del tejido.
4. Si la parte derecha del ojal es demasiado gruesa o fina con relación a la parte izquierda, apriete o suelte el tornillo para ajuste fino del ojal tal como se describe a continuación.

Si la parte derecha es demasiado gruesa, con el destornillador grande incluido, gire el tornillo en el sentido del -. Si la parte derecha es demasiado fina, gire dicho tornillo en el sentido del +.

Este ajuste permite que ambos lados del ojal parezcan uniformes.

- ⑥ Dial de longitud de puntada
- ⑦ Tornillo de ajuste fino de ojal
- ⑧ Lado derecho
- ⑨ En caso que

Button Sewing

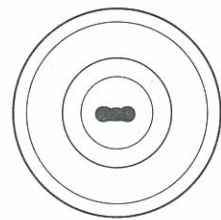
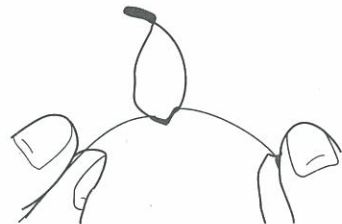
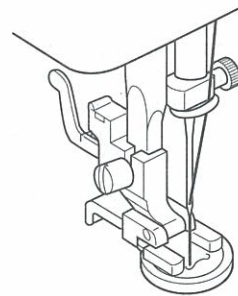
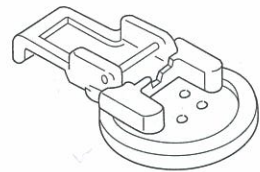
Pattern	Stitch Length	Stitch Width	Foot
3	F	Any	Button Sewing Foot

1. Measure the distance between the holes and set the appropriate stitch width using the Stitch Width Dial. For example, if the distance between the holes is 1.5 mm, set the stitch width to 1.5.
2. Change the foot to the button sewing foot.
3. Place the darning plate on the needle plate.
4. Place a button between the foot and the fabric and make sure that the needle enters the holes without hitting the button. If it hits see step 1.
5. At a slow speed, sew approximately 10 stitches.
6. Remove the material from the machine. Cut the upper and lower threads and tie both threads at the back of the material.

Costura de botones

Puntada	Largo de puntada	Ancho de puntada	Prensateles
3	F	cualquiera	prensateles para botones

1. Mida la distancia entre los distintos agujeros del botón y seleccione el ancho de puntada apropiado mediante el selector de ancho de puntada. Por ejemplo, si la distancia entre los agujeros es de 1,5 mm, ponga el ancho de puntada en 1,5.
2. Cambie el prensateles por uno para botones.
3. Coloque la placa de zurcir sobre la placa de agujas.
4. Coloque un botón entre el prensateles y el tejido y asegúrese de que la aguja pase por los agujeros sin picar el botón. Si golpea el botón, véase el punto 1.
5. Cosa unas 10 puntadas a baja velocidad.
6. Retire el tejido de la máquina. Corte los hilos inferior y superior y haga un nudo con ambos en el revés del tejido.



Zipper Insertion

Pattern	Stitch Length	Foot
2	2-3	Zipper Foot

The zipper foot is used to sew various types of zippers and can easily be positioned to the right or left side of the needle.

When sewing the right side of the zipper, attach the shank to the left pin of the zipper foot. When sewing the left side of the zipper, attach the shank to the right pin of the zipper foot. See **fig. A**.

1. Set the Pattern Selection Dial to 2. Set the Stitch Length between 2 and 3.
2. Lower the presser foot lever and fix either the left or right pin of the zipper foot onto the shank.
3. Fold the edge of the material 2 cm (3/4") and place the zipper under the folded portion.
4. Lower the needle into the notch located either on the left or right side of the zipper foot.
5. Sew from the bottom of the zipper toward the top on both sides. The needle should be positioned on the zipper side of the foot for best results. See **fig. B**.
6. To sew the opposite side of the zipper, release the foot by pressing the button located at the back of the presser foot, install the zipper foot on the other side of the zipper and continue sewing using the other side notch.
 - ① Zipper foot
 - ② Right pin for sewing the left side of the zipper
 - ③ Left pin for sewing the right side of the zipper

Inserción de cremalleras

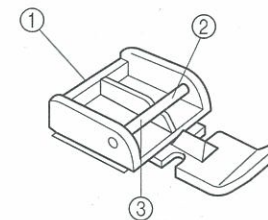
Puntada	Largo de puntada	Prensateles
2	2-3	Pata de cremalleras

La pata de cremalleras sirve para coser varios tipos de cremalleras y puede colocarse fácilmente hacia la izquierda o derecha de la aguja.

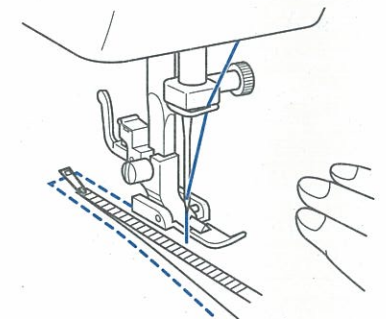
Cuando la cremallera se cose por el lado derecho, instale la pata deslizando hacia la izquierda. Cuando se cose la cremallera por el lado izquierdo, instale la pata deslizando hacia la derecha, tal como lo muestra la **fig. A**.

1. Ponga el selector de puntadas en 2. Ajuste el largo de puntada entre 2 y 3.
2. Baje la palanca del prensateles y coloque el eje izquierdo o derecho de la pata de cremalleras en la zanca.
3. Doble la orilla del tejido a 2 cm (3/4") y coloque la cremallera debajo de la parte doblada.
4. Baje la aguja en la hendidura situada a la izquierda o derecha de la pata de cremalleras.
5. Cuesa a partir de la parte inferior de la cremallera hacia la parte superior, por ambos lados. Para mejores resultados, se debe colocar la aguja del lado de la pata y de la cremallera. Véase **fig. B** para mayores detalles.
 - ① Pata de cremalleras
 - ② Eje derecho para coser la parte izquierda de la cremallera
 - ③ Eje izquierdo para coser la parte derecha de la cremallera.
6. Para coser el lado opuesto de la cremallera, suelte la pata al apretar el botón situado en su parte posterior, instale la pata en el otro lado de la cremallera y siga cosiendo, pasando la aguja por la hendidura del otro lado.

A



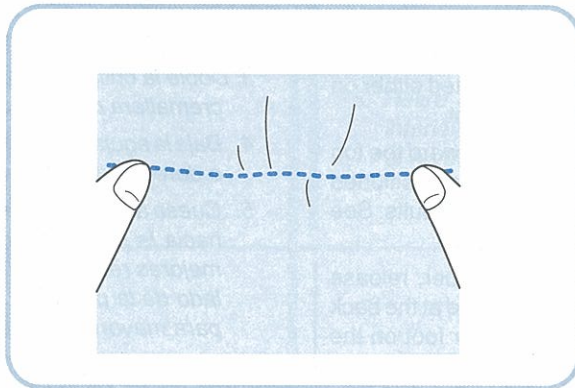
B



Gathering

Pattern	Stitch Length
2	2

1. Set the Pattern Selection Dial to 2.
2. Loosen the tension of the upper thread (to about 2) so that the lower thread lies on the underside of the material.
3. Sew a single row or multiple rows of Straight Stitches.
4. Pull the lower thread(s) to gather the material.



Darning

Pattern	Stitch Length	Other
2	Any	Darning Plate

1. Place the darning plate on the needle plate as shown in **fig. A**.
2. Set the Pattern Selection Dial to 2.
3. Place the portion to be darned under the presser foot together with a fabric underlay for reinforcement.
4. Lower the presser foot.
5. Begin sewing alternating between gently drawing the work away from you and pulling it toward you. With the darning plate on the machine the feed dogs will not move the fabric.

Fruncido

Puntada	Largo de puntada
2	2

1. Ponga el selector de puntadas en 2.
2. Suelte la tensión del hilo superior (hasta alrededor de 2) para que el hilo inferior se encuentre tirante en el revés del tejido.
3. Cuesa una línea simple o varias de puntadas rectas.
4. Tire del o de los hilos inferiores para fruncir el tejido.

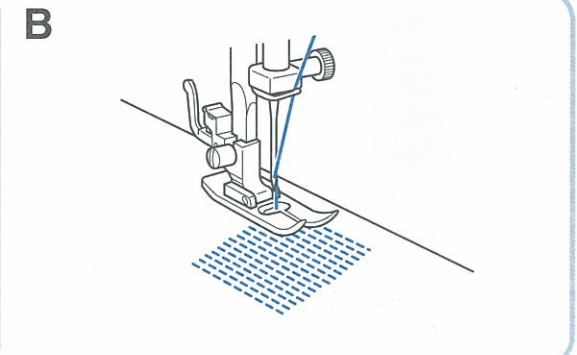
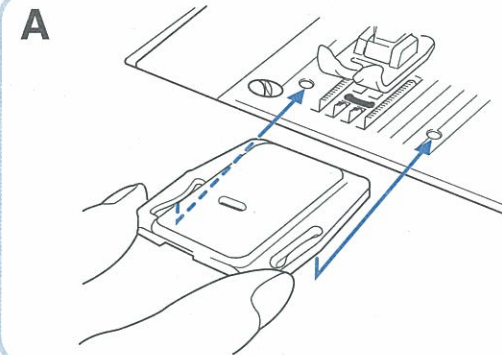
Zurcido

Puntada	Largo de puntada	Otros
2	Cualquiera	Placa de zurcir

1. Instale la placa de zurcir sobre la placa de agujas tal como ilustrado en la **fig. A**.
2. Ponga el selector de puntadas en 2.
3. Ponga el tejido a zurcir debajo del prensatelas con una pieza de tela de refuerzo debajo.
4. Baje el prensatelas.
5. Empiece a coser empujando y tirando alternativamente del tejido. Cuando la placa de zurcir está puesta en la máquina, los sobre el tejido.

6. Repeat this motion until the portion to be darned is filled with parallel lines of stitching. See **fig. B**.

6. Repita la operación hasta que el zurcido se haya completado creando unas cuantas líneas de puntadas paralelas. Véase **fig. B**.



Appliques

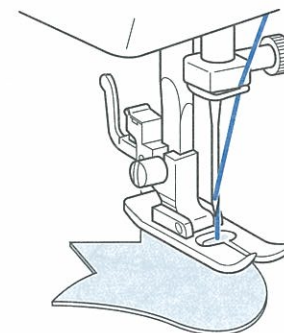
Pattern	Stitch Length
3	F-2

An applique is created by cutting a contrasting piece of fabric into a shape to be used as a decoration on a garment or project.

1. Baste the cut design to the fabric in the location where desired.
2. Carefully sew around the edge of the cutout design with a Zigzag Stitch (3) in the fine stitch length.
3. Cut away the surplus fabric outside of the stitching.
4. Remove the basting, if necessary.

NOTE:

Make reinforcing Straight Stitches at the beginning and the end of the stitching to secure.



Aplicaciones

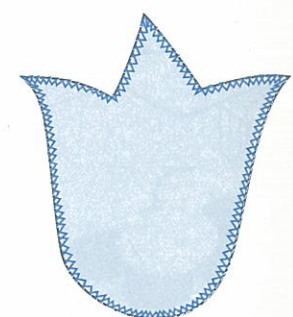
Puntada	Largo de puntada
3	F-2

Si queremos colocar un aplique de piel etc. que haga contraste, para utilizarla como decoración en una prenda.

1. Hilvane la aplicación recortada al tejido, en donde desee ponerla.
2. Cosa cuidadosamente los bordes del diseño con una Puntada Zigzag (3) en un largo de puntada fino.
3. Recorte el tejido sobrante que quede fuera del espunte.
4. Quite los hilvanes, si fuera necesario.

NOTA:

Haga unas puntadas rectas como refuerzo al principio y al final de las puntadas para que no puedan deshacerse.

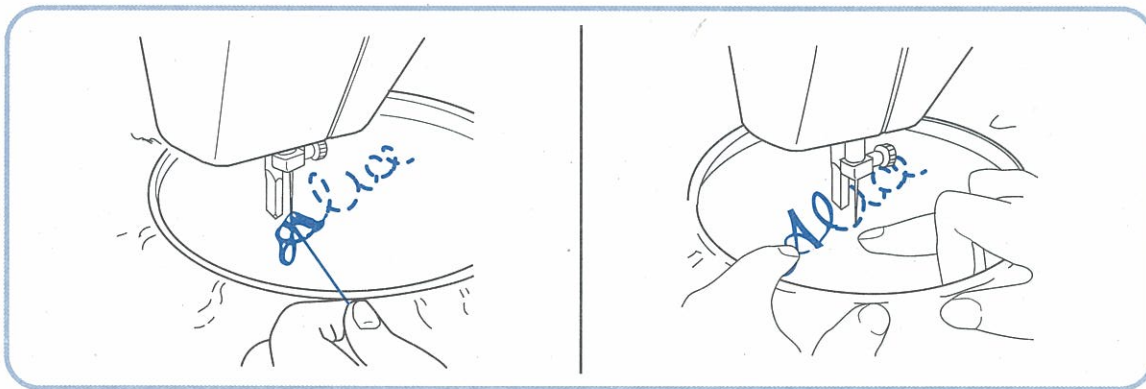


Monogramming and Embroidering

Pattern	Stitch Length	Stitch Width	Foot
3	Any	Any	None

PREPARING FOR MONOGRAMMING AND EMBROIDERING

1. Place the darning plate on the needle plate.
2. Set the Pattern Selection Dial to the appropriate Zigzag Stitch setting.
3. Draw the lettering (for monogramming) or design (for embroidering) on the surface of the fabric.
4. Stretch the fabric between embroidery hoops as firmly as possible with the underside of the fabric on the bottom of the inside hoop.
5. Place the work under the needle and lower the presser bar with the foot removed.
6. Pull the lower thread up through the work at the starting position by turning the balance wheel and make a few holding stitches.
7. Grip the hoop with the thumb and forefingers of both hands while pressing the fabric with the middle and third fingers and supporting the outside of the hoop with your smaller fingers.



Monogramas y bordados

Puntada	Largo de puntada	Ancho de puntada	prensateles
3	Cualquiera	Cualquiera	Quitarlo, sin prensateles

Preparación para monogramas y bordados

1. Instale la placa de zurcir sobre la placa de agujas.
2. Ponga el selector de puntadas en la puntada zigzag apropiada.
3. Dibuje las letras (para monogramas) o el diseño (para bordados) en el derecho del tejido.
4. Estire el tejido en el bastidor tanto como pueda y si es posible con el revés abajo del círculo interior.
5. Coloque la tela debajo de la aguja y baje la barra del prensateles, aunque no haya ningún prensateles puesto.
6. Girando la ruedecilla, pase el hilo inferior por el trabajo y cosa unas cuantas puntadas para asegurarlo.
7. Sujete el bastidor con el pulgar e índice de cada mano, presione el tejido con los dedos medios y anulares y aguante los exteriores del bastidor con los meñiques.

MONOGRAMMING

1. Sew moving the hoop slowly along the lettering at a constant speed.
2. Secure with a few straight stitches at the end of the last letter.

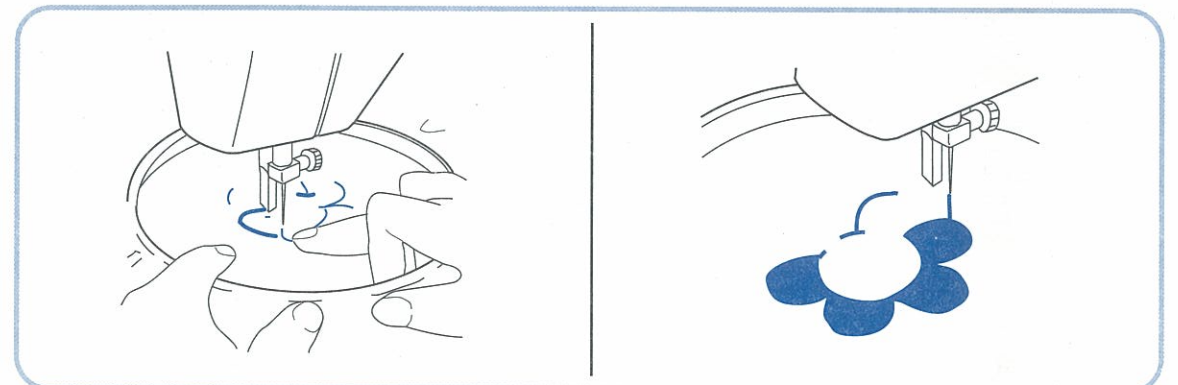


EMBROIDERING

1. Stitch the outline of the design by moving the embroidery hoop.
2. Fill in the design alternating from the outline of the design to the inside and from the inside to the edge of the outline until the design is completely filled in. Keep the stitching close together.

NOTE:

- A long stitch is made by moving the embroidery hoop rapidly and a short stitch is made by moving it slowly.
3. Secure with a few Straight Stitches at the end of the design.



Monogramas

1. Cosa moviendo el bastidor lentamente por las letras, a una velocidad constante.
2. Termine con unas puntadas rectas de seguridad al final de la última letra.

Bordado

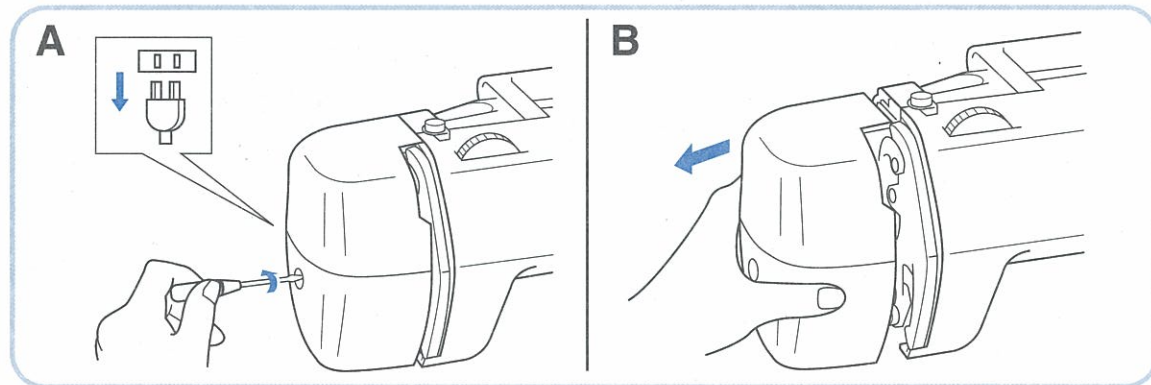
1. Remarque el contorno del diseño, moviendo el bastidor de acuerdo con el dibujo.
2. Rellene el dibujo de puntadas adelantando alternativamente del contorno hacia el interior y del interior hacia el exterior hasta que el dibujo quede completamente cubierto de puntadas, teniendo siempre cuidado en mantener las puntadas muy juntas.

NOTA:

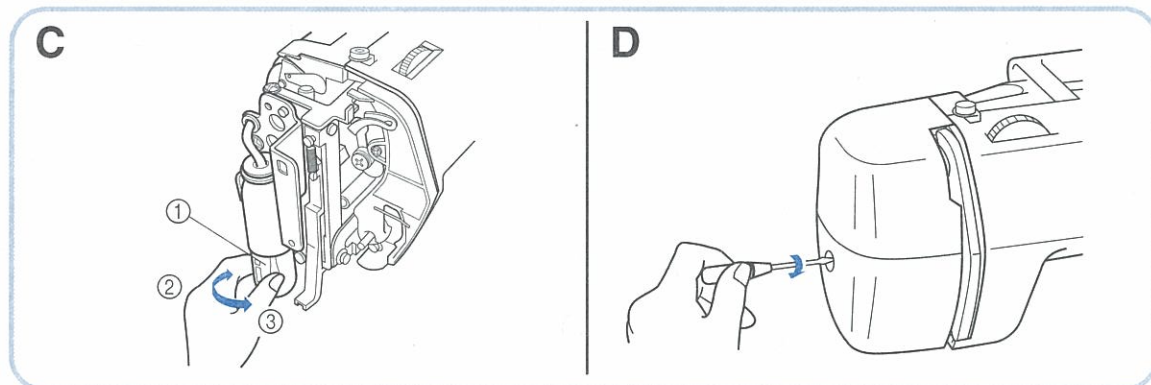
- Se pueden realizar puntadas largas al mover el bastidor rápidamente y puntadas cortas al moverlo lentamente.
3. Termine con unas puntadas rectas de seguridad al final del dibujo.

Changing the Bulb

1. Remove the power supply plug from the outlet.
2. Loosen the face plate screw as shown in **fig. A**.
3. Remove the face plate from the machine as illustrated in **fig. B**.



4. Replace the sewing light bulb. See **fig. C**.
5. Reattach the face plate and fasten the screw as shown in **fig. D**.
 - ① Bulb
 - ② Loosen
 - ③ Tighten



Cambio de la bombilla

1. *Desenchufe la máquina.*
2. *Afloje el tornillo de la cubierta de la máquina tal como se indica en la fig. A.*
3. *Retire la cubierta de la máquina tal como se indica en la fig. B.*

4. *Cambie la bombilla tal como se muestra en la fig. C.*
5. *Vuelva a colocar la cubierta y apriete el tornillo tal como indica la fig. D.*
 - ① *Bombilla*
 - ② *Aflojar*
 - ③ *Apretar*

Oiling

1. Remove the power supply plug from the outlet.
2. Put 2 to 3 drops of oil at each of the points indicated in **fig. A**.
3. After oiling, run the machine at a fast speed without thread installed for a short time.
4. Be sure to wipe any excess oil off the machine.

NOTE:

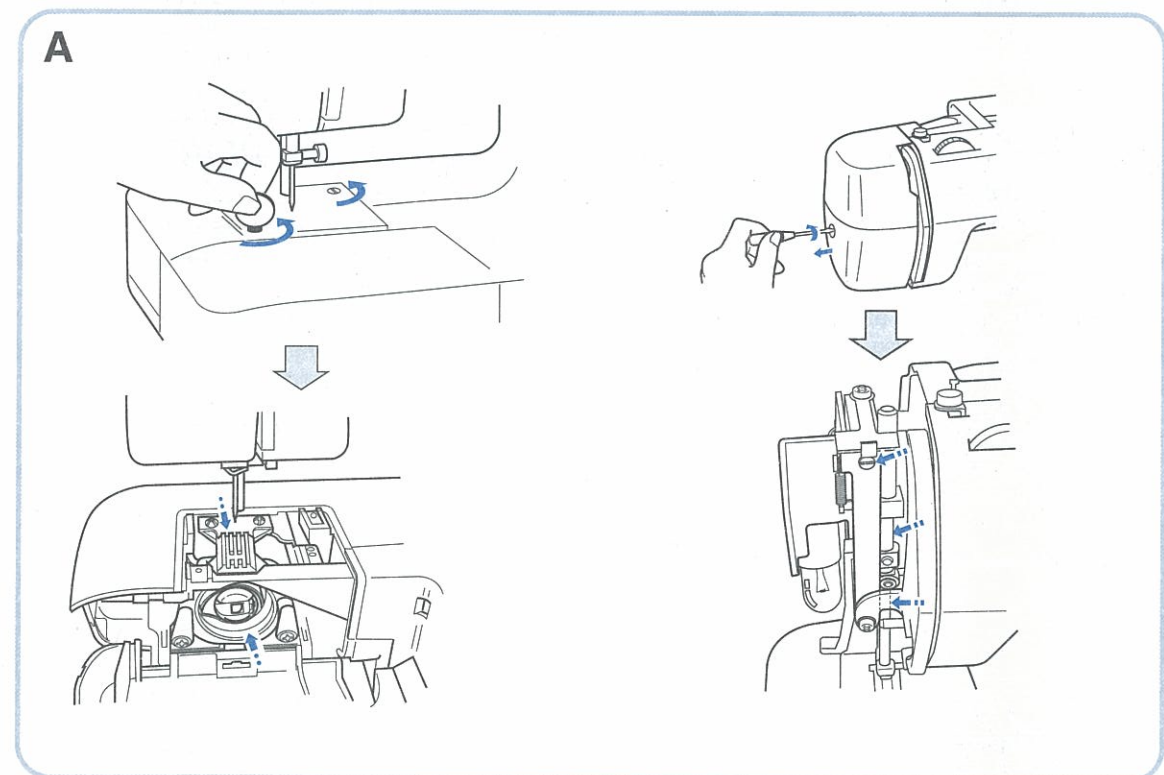
The machine should be oiled once a week if it is used more than one hour a day. If the machine is used more often, oil every day. Sewing machine oil is available from your local sewing machine dealer or service center.

Engrasado

1. *Desenchufe la máquina.*
2. *Ponga 2 ó 3 gotas de aceite en cada uno de los puntos señalados en la fig. A.*
3. *Después de lubricar la máquina, hágala funcionar rápidamente un instante y sin hilo.*
4. *Asegúrese de limpiar cualquier exceso de aceite de la máquina.*

NOTA:

Lubricar la máquina una vez por semana si se usa más de una hora diaria. Si se usa más a menudo, engrasarla cada día. Puede comprar aceite para máquina de coser a su representante o en el centro técnico local.



Cleaning

Removing the Shuttle Hook

1. Raise the needle to its highest position.
2. Open the shuttle cover on the front of the free arm.
3. Take out the bobbin case by opening its latch and pulling it out from the shuttle race.
4. Slide the latch levers out from the retaining ring and remove the retaining ring. See **fig. A**.
5. Remove the hook by grasping the center post of the hook and pulling it out as shown in **fig. B**.

NOTE:

When the needle is lowered, the shuttle hook cannot be removed.

Cleaning the Shuttle Race

1. Remove any accumulated lint and thread from the retaining ring, hook, driver and race body with a brush.
2. A cloth dampened with machine oil should be used to wipe the shuttle race clean of lint.
3. Clean the shuttle hook in the same manner described above.
4. Reassemble and push the latch levers back to their previous positions holding the retaining ring in place with the notch at the top.
 - ① Retaining ring
 - ② Latch lever
 - ③ Hook
 - ④ Driver
 - ⑤ Race body

Limpeza

Para sacar el garfio de la lanzadera

1. Levante la aguja a su posición más alta.
2. Abra la cubierta exterior del garfio, enfrente del brazo libre.
3. Saque el portacanilla, abriendo su uñeta metálica (pestillo) y retirándolo de la pista de la lanzadera.
4. Retire las palancas que sujetan el anillo retenedor y saque dicho anillo. Véase **fig. A**.
5. Retire el garfio cogiéndolo de la barra central y sacándolo tal como ilustra la **fig. B**.

NOTA:

No puede quitarse el garfio cuando la aguja está abajo.

Limpeza de la pista de la lanzadera

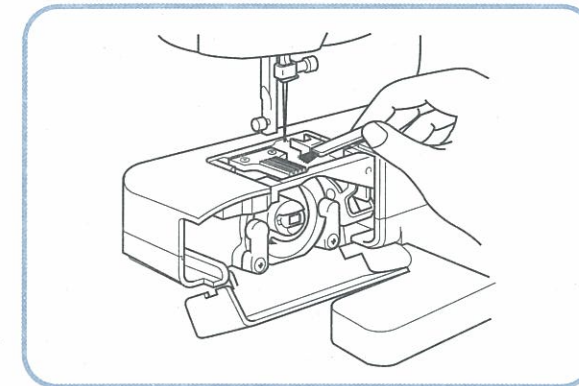
1. Quite los hilos y polvo acumulados en el anillo retenedor, garfio, impulsor y pista con un cepillo.
2. Limpie el polvo de la lanzadera con un trapo impregnado de aceite de máquina.
3. Limpie el garfio de la misma manera.
4. Vuelva a juntar los elementos y coloque las palancas en sus posiciones previas para que mantengan el anillo retenedor en su sitio con la ranura hacia arriba.
 - ① Anillo retenedor
 - ② Palanca de la uñeta
 - ③ Garfio
 - ④ Impulsor
 - ⑤ Pista de la lanzadera.

Cleaning the Feed Dogs

1. Remove the needle plate using a coin to unscrew the screws.
2. Clean the upper part of the feed dogs and shuttle race body with a brush.

Limpeza de los alimentadores

1. Retire la placa de agujas con una moneda para aflojar los tornillos.
2. Limpie la parte superior de los dientes y el cuerpo de la lanzadera con un cepillo.



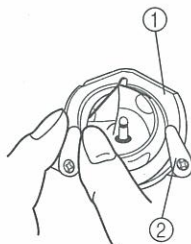
Performance Checklist

Whenever sewing difficulties are encountered, review the section in this instruction manual that details the operation you are performing to make sure you are correctly using the machine. If the problem continues, the following check list may help you to improve the operation. If you still have difficulties, contact your nearest service center.

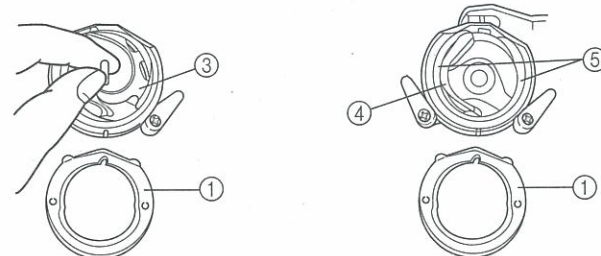
Listado de posibles incidencias

Cada vez que encuentre dificultades al coser, vuelva a consultar la parte de este manual de instrucciones que detalla la operación que está realizando, para comprobar que usa correctamente la máquina. Si el problema persiste, el siguiente listado le puede ayudar a mejorar el funcionamiento. Si a pesar de eso el problema persiste, póngase en contacto con el servicio técnico más cercano.

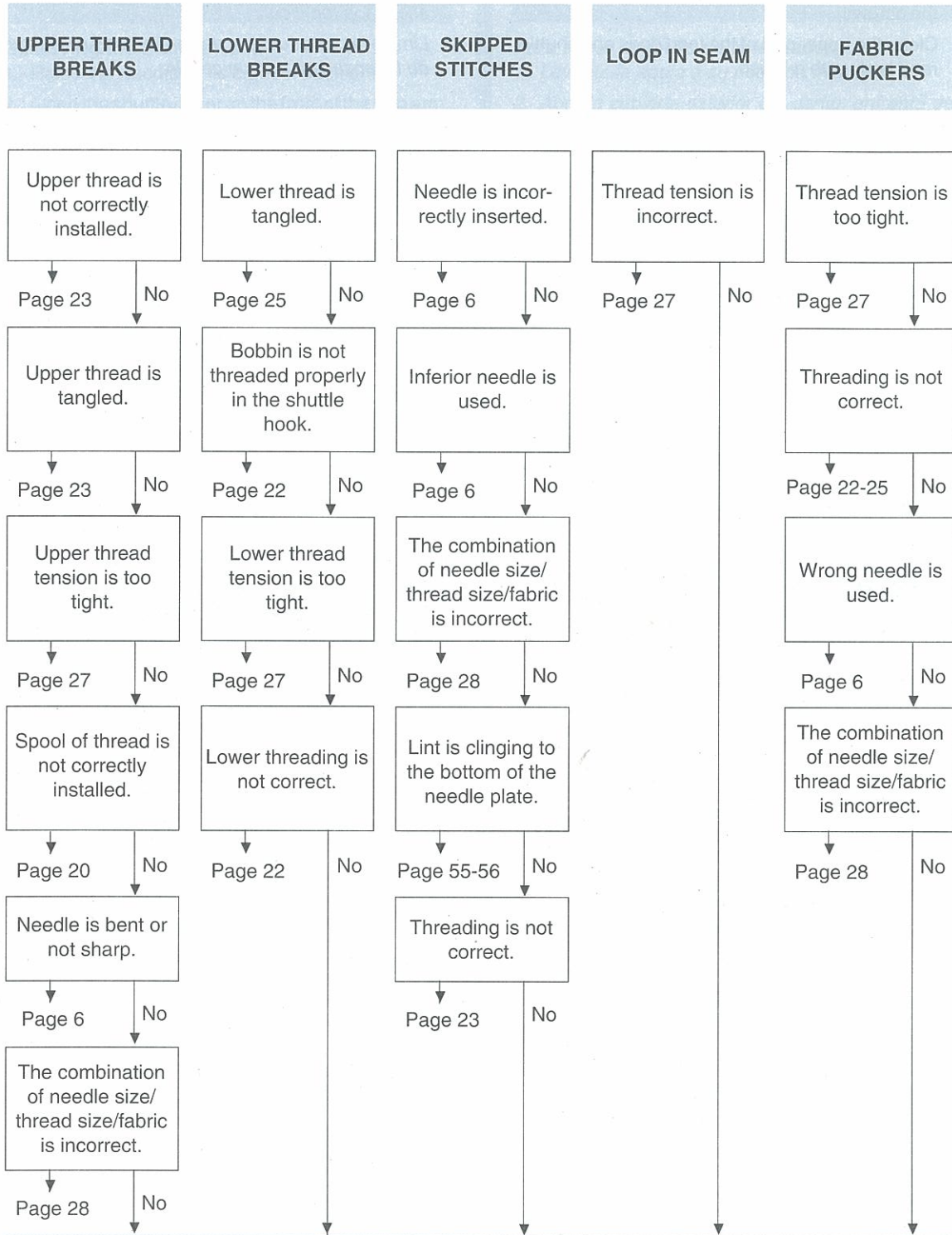
A



B

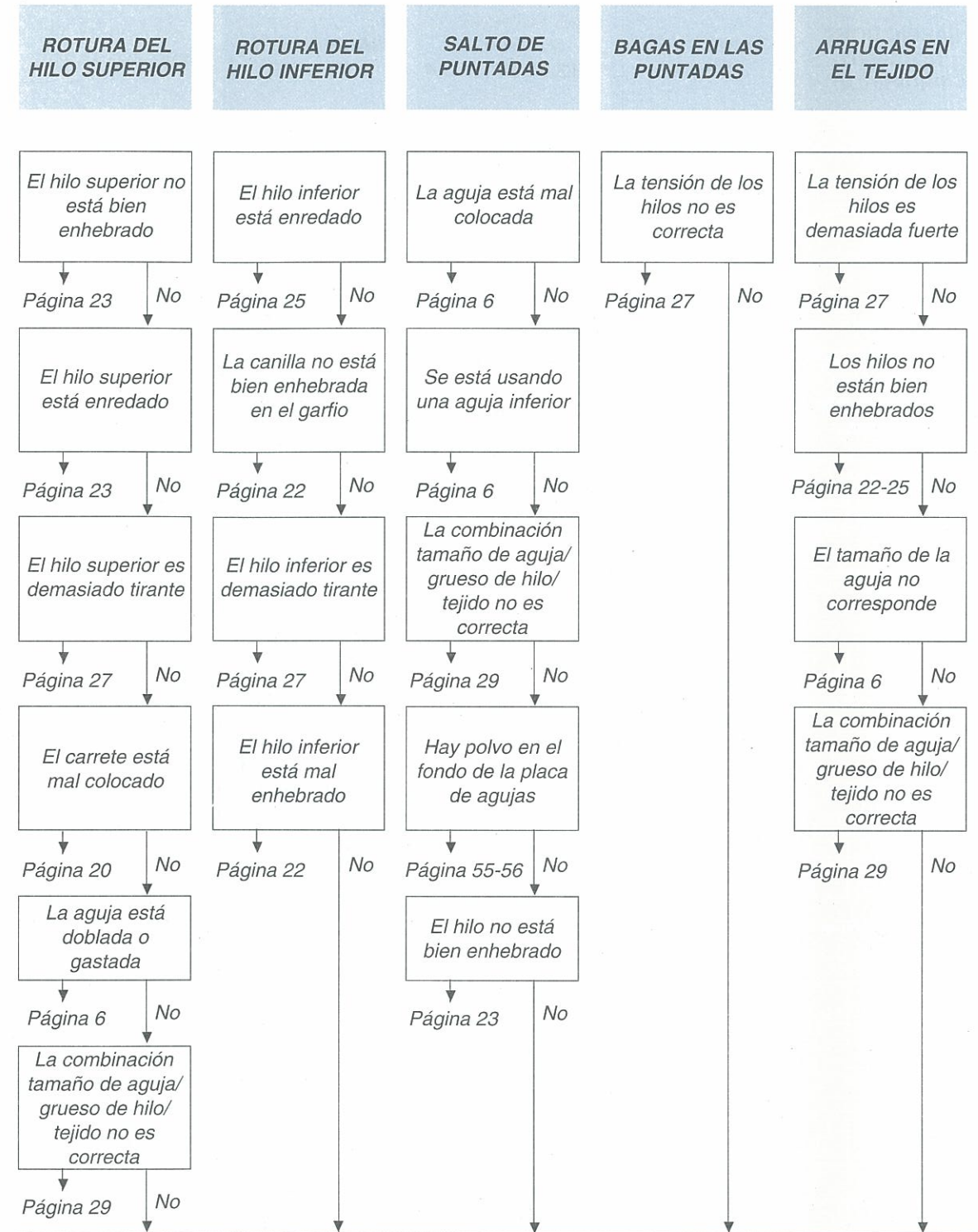


PERFORMANCE CHECK LIST



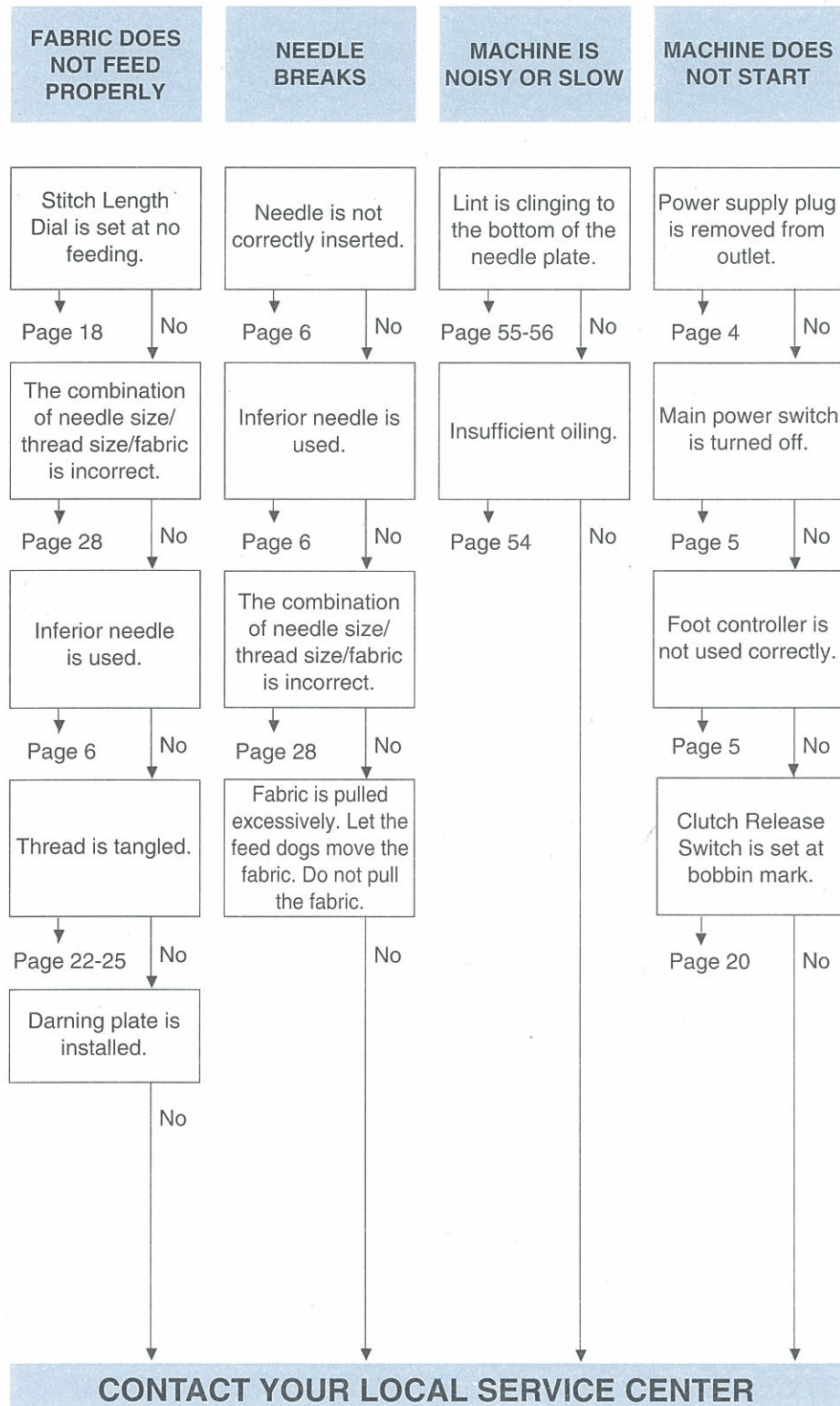
CONTACT YOUR LOCAL SERVICE CENTER

LISTADO DE POSIBLES INCIDENCIAS

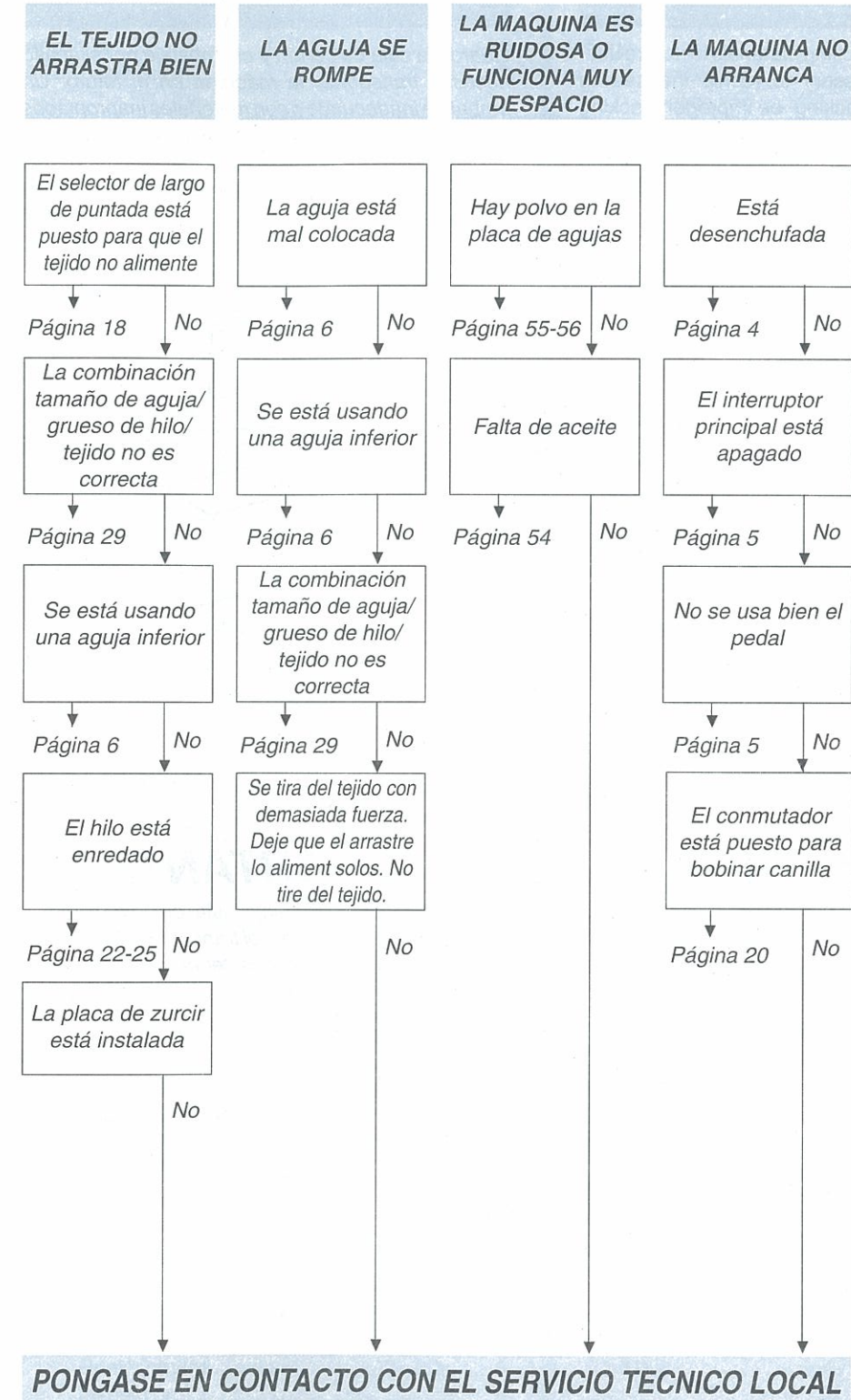


PONGASE EN CONTACTO CON EL SERVICIO TECNICO LOCAL

PERFORMANCE CHECK LIST

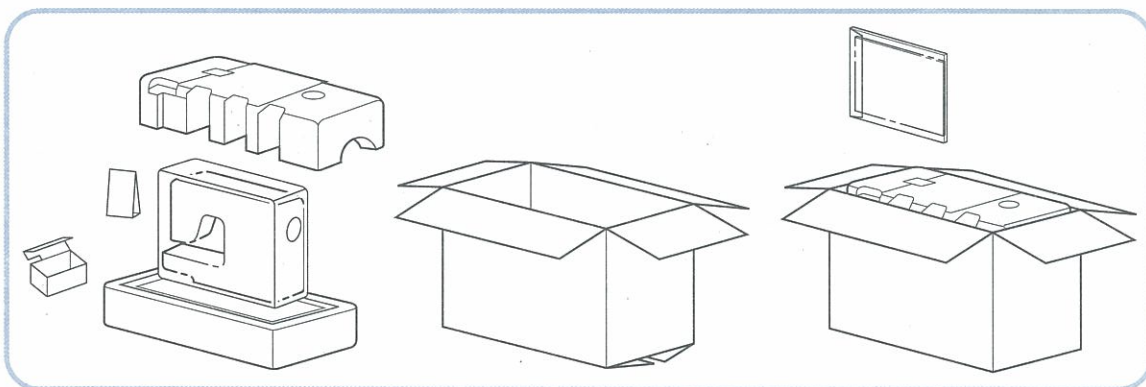


LISTADO DE POSIBLES INCIDENCIAS



Repacking the machine

Keep the carton and packing materials for future use. It may become necessary to reship the sewing machine. Improper packing or improper packing material could result in damage during shipping. Instructions for repacking the machine are illustrated below.



IMPORTANT

This packing material is designed to prevent damage in transit. Save this packing material in the event it is needed to transport this sewing machine.

Embalaje de la máquina

Guarde la caja de cartón y el embalaje por si acaso necesita transportar la máquina en el futuro. Un embalaje inadecuado o con materiales inapropiados puede causarle daños a la máquina durante el transporte. Para embalar la máquina correctamente, sírvase seguir las instrucciones que se ilustran continuación.

IMPORTANTE

El material de embalaje está diseñado para prevenir daños durante el transporte. Guárdelo siempre en caso de que tenga que volver a transportar la máquina.

	Page
A	
Accessories	3
Applique	50
Arrowhead Stitch	40
B	
Bead Stitch	38
Blind Hem Stitch	34
Buttonhole	43
Buttonhole Fine Adjustment	45
Button Sewing	47
C	
Cleaning	55
Comb Stitch	40
Connecting Plugs	4
D	
Darning	49
Double Action Stitch	37
Drawing Up Lower Thread	25
E	
Elastic Stitch	36
Elastic Overlock Stitch	40
Embroidering	51
F	
Fagoting Stitch	39
Feather Stitch	41
Feed Dog Cleaning	56
Foot Controller	5
Free-arm Style	7
G	
Gathering	49
L	
Leaf Stitch	39
Lightning Stitch	38
Link Stitch	39
Lower Threading	22
M	
Main Power Switch	5
Monogramming	51
N	
Needle	
Replacement	6
Inspection	6

	Página
A	
Accesorios	3
Aguja	
Cambio	6
Verificación	6
Ajuste fino de los ojales	45
Ancho de puntadas	10
Aplicaciones	50
B	
Bobinado de la canilla	20
Bombilla	
Cambio	53
Interruptor	5
Bordado	51
C	
Conexión de los enchufes	4
Costura con dos agujas	26
Costura de botones	47
Costura de tejidos, hilos y agujas	29
Costura por encima de la orilla	50
D	
Disco de tensión del hilo superior	27
E	
Elementos principales	1
Embalaje	61
Engrasado	54
Enhebrado inferior	22
Enhebrado superior	23
F	
Fruncido	49
G	
Guía de localización de errores	58, 60
I	
Inserción de cremalleras	48
Interruptor principal	5
L	
Largo de puntadas	10, 18
Limpieza	55
Limpieza de la pista de la lanzadera	55
Limpieza de los alimentadores	56
Listado de posibles incidencias	56

NOTE/NOTA

	Page
O	
Oiling	54
Overedging	40
P	
Pattern Lengths	9, 18
Pattern Selection Dial	8
Pattern Widths	9
Performance Checklist	56
Principal Parts	1
R	
Relative Chart of Sewing Fabrics, Needles and Threads	28
Repacking	61
Reverse Sewing Button	19
S	
Scallop Stitch	37
Sewing Light	
Switch	5
Light Bulb Replacement	53
Shell Tuck Stitch	35
Shuttle Hook Removal	55
Shuttle Race Cleaning	55
Slant Overlock Stitch	40
Stitch Length Dial	18
Stitch Width Dial	18
Straight Stitch	30
Stretch Blind Stitch	34
T	
Thread Tension	27
Triple Stretch Stitch	30
Triple Zigzag Stretch Stitch	42
Troubleshooting	57, 59
Twin Needle Sewing	26
U	
Upper Tension Control Dial	27
Upper Threading	23
W	
Winding the Bobbin	20
Z	
Zigzag Stitch	33
Zipper Insertion	48

	Página
M	
Modalidad brazo libre	7
Monogramas	51
O	
Ojales	43
P	
Pedal	5
Pulsador de retroceso	19
Puntada de triple pespunte	30
Puntada de unión	37
Puntada elástica	36
Puntada Escalera	38
Puntada Fagoting	39
Puntada Feston Doble	38, 39
Puntada Festón	37
Puntada flecha	40
Puntada invisible	34
Puntada invisible elástica	34
Puntada Linear	39
Puntada Ondas	35
Puntada overlock elástica	40
Puntada overlock estrecha	40
Puntada Peine	40
Puntada pluma	41
Puntada recta	30
Puntada zigzag	33
S	
Sacar el garfio de la lanzadera	55
Sacar el hilo de la canilla	25
Selector de ancho de puntada	18
Selector de largo de puntadas	18
Selector de puntadas	8
T	
Tensión de los hilos	27
Triple puntada zigzag elástica	42
Z	
Zurcido	49