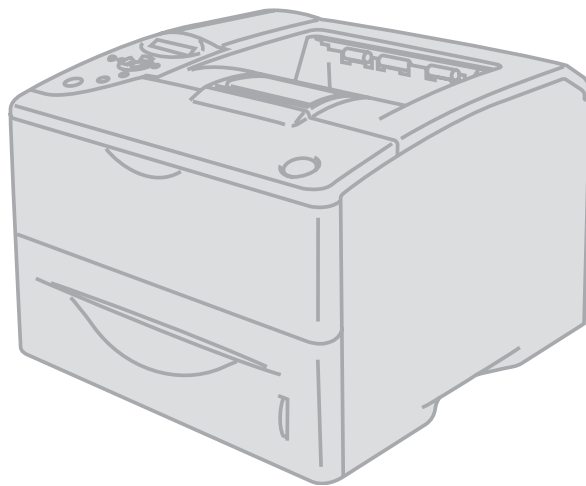




# Brother Laser Printer **PARTS REFERENCE LIST**

---

**MODEL:  
HL-6050/6050D/6050DN**



Read this list thoroughly before maintenance work.

Keep this list in a convenient place for quick and easy reference at all times.

# NOTE FOR USING THIS PARTS REFERENCE LIST

1. In the case of ordering parts, it is necessary to mention the following items:

- (1) Code
- (2) Q'ty
- (3) Description
- (4) Symbol (PCB No., Revision, and Parts location mounted on the PCB.)

*Note: No orders without Parts Code or Tool No. can be accepted.*

<Example>

REF.NO.	CODE	Q'TY	DESCRIPTION	SYMBOL	REMARK

Revision No.: marked on the **main printed circuit board (Main PCB)**

**B48K056 – 201 A**



Revision No.: marked on the **power supply printed circuit board**

**Rev. A**



2. Design-changed parts:

If any of the parts is changed, one of the following symbols is indicated in the REMARK column.

- CHG (chg): The part is changed for a new one.
  - ADD (add): The part is newly added.
  - DEL (del): The part is deleted.
- Symbol in capital letters indicates the latest parts change information in the page.

3. The original parts reference list is based on the information available in October 2003.

4. Parts are subject to change in design without prior notice.

## COUNTRIES AND AREAS

AP: Asia Pacific	HOL (NL): Holland (Netherlands)
ARG: Argentina	IBERIA: Spain/Portugal
ARL: Australia	IND: India
BEL: Belgium	ISR: Israel
BRZ: Brazil	ITA: Italy
CAN: Canada	KOR: Korea
CHI: Chile	NZ: New Zealand
CHN: China	PAN-NOR: Norway/Finland/Denmark/Sweden
EEU: EEU GENERAL (Bulgaria/Czech/Hungary/Poland/Romania/Slovakia)	RUS: Russia
EUR: Europe	SAF: South Africa
FRA: France	SGP/GULF: Singapore/Gulf
GER: Germany	SWI: Switzerland
	UK: U.K.
	US: U.S.A

## LANGUAGES

BUL: Bulgarian	ITA: Italian
CHN: Chinese	NOR: Norwegian
CZE: Czech	KOR: Korean
DEN (DAN): Danish	POL: Polish
DUT: Dutch	POR: Portuguese
ENG: English	ROM: Romanian
FIN: Finnish	RUS: Russian
FRE: French	SVK: Slovak
GER: German	SPA: Spanish
HUN: Hungarian	SWE: Swedish

# CONTENTS

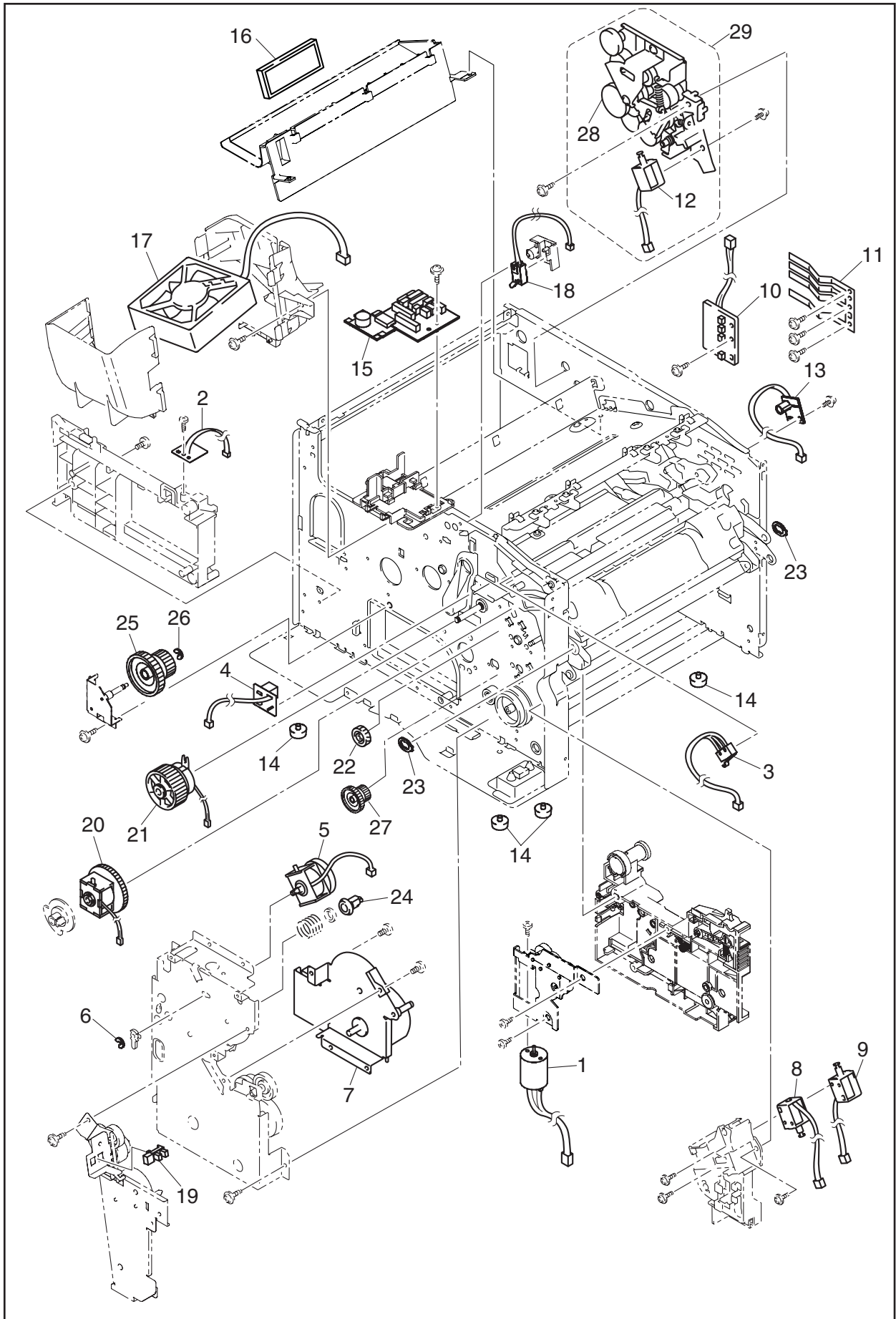
1.	<u>FRAME/DRIVE UNIT</u> .....	1
2.	<u>LASER UNIT</u> .....	3
3.	<u>PAPER FEEDER/MP UNIT</u> .....	5
4.	<u>DX</u> .....	7
5.	<u>PAPER TRAY</u> .....	9
6.	<u>FIXING UNIT</u> .....	11
7.	<u>PAPER EJECT</u> .....	13
8.	<u>COVERS/LABELS</u> .....	15
9.	<u>MAIN PCB</u> .....	17
10.	<u>ENGINE PCB</u> .....	17
11.	<u>HVPS</u> .....	19
12.	<u>LVPS</u> .....	19
13.	<u>NETWORK BOARD</u> .....	21
14.	<u>AC CORDS</u> .....	21
15.	<u>ACCESSORIES</u> .....	23
16.	<u>PACKING MATERIALS</u> .....	23
17.	<u>PERIODICAL MAINTENANCE PARTS</u> .....	25

1. FRAME/ DRIVE UNIT

REF.NO.	CODE	Q'TY	DESCRIPTION	SYMBOL	REMARK
1	LM3672001	1	PLATE MOTOR ASSY		
2	LJ9427001	1	DX SENSOR PCB ASSY AML	B512093	
3	LJ9424001	1	INTERLOCK SW ASSY AML		
4	LJ9416001	1	TONER LED PCB ASSY AML (LIGHT EMISSION)	B512143	
5	LM3224001	1	DEVELOPER CLUTCH		
6	LJ1209001	1	COLLAR 4		
7	LM3227001	1	MAIN MOTOR ASSY		
8	LM3236001	1	T1 SOLENOID ASSY		
9	LM3238001	1	MP SOLENOID ASSY		
10	LJ9432001	1	SIZE SW PCB ASSY AML	B512181	
11	LM3268001	1	SIZE SW SPRING		
12	LM3813001	1	EJECTION SOLENOID DAMPER ASSY (HL-6050D/6050DN)		
13	LJ9434001	1	TONER SENSOR PCB UNIT AML (LIGHT RECEPTION)	B512084	
14	UH2208001	4	RUBBER FOOT		
15	LJ9437001	1	RELAY PCB L ASSY AML	B512174	
16	LU0948001	1	FILTER T8 ASSY		CHG
17	LM3329001	1	FAN MOTOR 80 ASSY		
18	LJ9418001	1	DEV SENSOR ASSY AML		
19	LG2239001	1	PHOTO INTERRUPTER:SG-2482A		
20	LM3348001	1	CLUTCH SPRING SEPARATING		
21	LM3354001	1	MAGNETIC CLUTCH REGIST		
22	LM3355001	1	GEAR 24		
23	LM3301001	2	COVER STOPPER RING		
24	LJ7377001	1	DEVELOP JOINT		
25	LM3232001	1	GEAR 18/48		
26	LJ0716001	1	GEAR COLLAR		
27	LM3350001	1	GEAR 33		add
28	LM3755001	1	EJECTION GEAR PLATE UNIT (HL-6050)		add
29	LM3269001	1	EJECTION GEAR PLATE UNIT (HL-6050D/6050DN)		add

MODEL HL-6050/6050D/6050DN 84U-Z51/Z52/Z53-010

# 1. FRAME / DRIVE UNIT



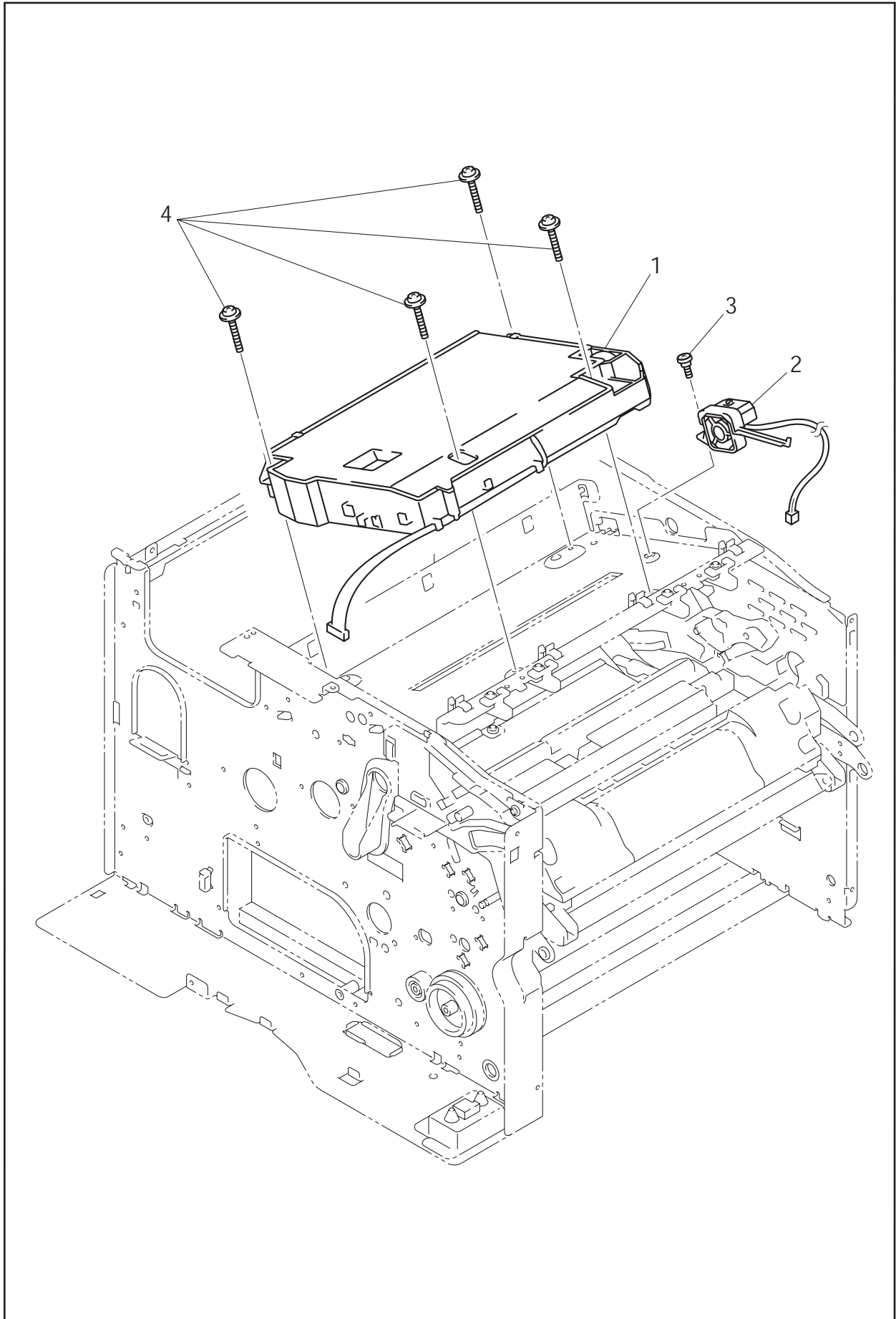
MODEL HL-6050/6050D/6050DN 84U-Z51/Z52/Z53-010

2. LASER UNIT

REF.NO.	CODE	Q'TY	DESCRIPTION	REMARK
1	LU1319001	1	LASER UNIT (SP)	CHG
2	LM3814001	1	SCANNER FAN FOAM ASSY	
3	LM3856001	1	SHOULDER SCREW	chg
4	LJ7533001	4	TAPTITE, CUP S M3X16	

MODEL HL-6050/6050D/6050DN 84U-Z51/Z52/Z53-020

## 2. LASER UNIT



MODEL HL-6050/6050D/6050DN 84U-Z51/Z52/Z53-020

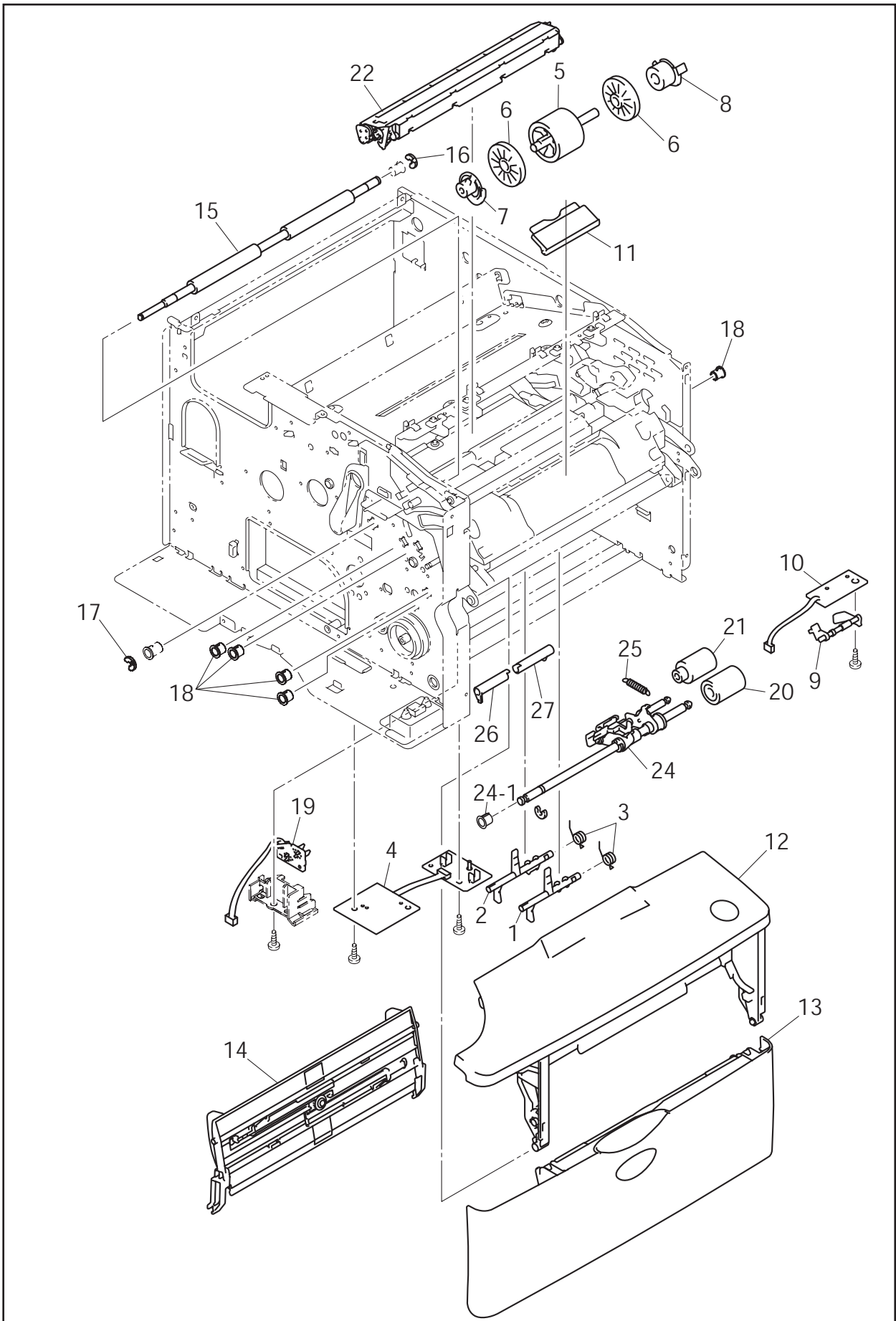


3. PAPER FEEDER/ MP UNIT

REF.NO.	CODE	Q'TY	DESCRIPTION	SYMBOL	REMARK
1	LM3395001	1	REGIST ACTUATOR FRONT		
2	LM3396001	1	REGIST ACTUATOR REAR		
3	LM3397001	2	REGIST ACTUATOR SPRING		
4	LJ9421001	1	RELAY PCB UNIT AML		
5	LJ5016001	1	PAPER PICK-UP ROLLER ASSY		
6	LJ5150001	2	ROLLER COLLAR		
7	LJ5020001	1	BUSH L		
8	LJ5021001	1	BUSH R		
9	LJ5162001	1	MP-PE SENSOR ACTUATOR 1		
10	LJ9393001	1	MP SENSOR PCB ASSY AML	B512097	
11	LJ5184001	1	SEPARATION PLATE ASSY		
12	LM3405001	1	PROCESS UNIT COVER ASSY		
13	LM3413001	1	MP COVER ASSY		
14	LM3417001	1	MP PAPER GUIDE 1 ASSY		
15	LM3421001	1	RE ROLLER AML		
16	LJ1168001	1	COLLAR 8		
17	LJ1175001	1	COLLAR 6		
18	LM3140001	5	FR BEARING AML		
19	LJ9422001	1	PE/PO SENSOR PCB ASSY AML	B512178	
20	LM3454001	1	SEPARATION ROLLER ASSY		
21	LU0496001	1	FEED ROLLER ASSY 1		chg
22	LJ1847001	1	F CHUTE UNIT2		chg
<del>23</del>	<del>LM3350001</del>	<del>4</del>	<del>GEAR 33</del>		<del>del</del>
24	LM6764001	1	PAPER FEED HOLDER UNIT S		chg
24-1	LJ1957001	1	FR BUSH S		add
25	LM3453001	1	PAPER FEED SPRING		add
26	LM3435001	1	LIFT LEVER A		ADD
27	LM3436001	1	LIFT LEVER B		ADD

MODEL HL-6050/6050D/6050DN 84U-Z51/Z52/Z53-041

### 3. PAPER FEEDER / MP UNIT



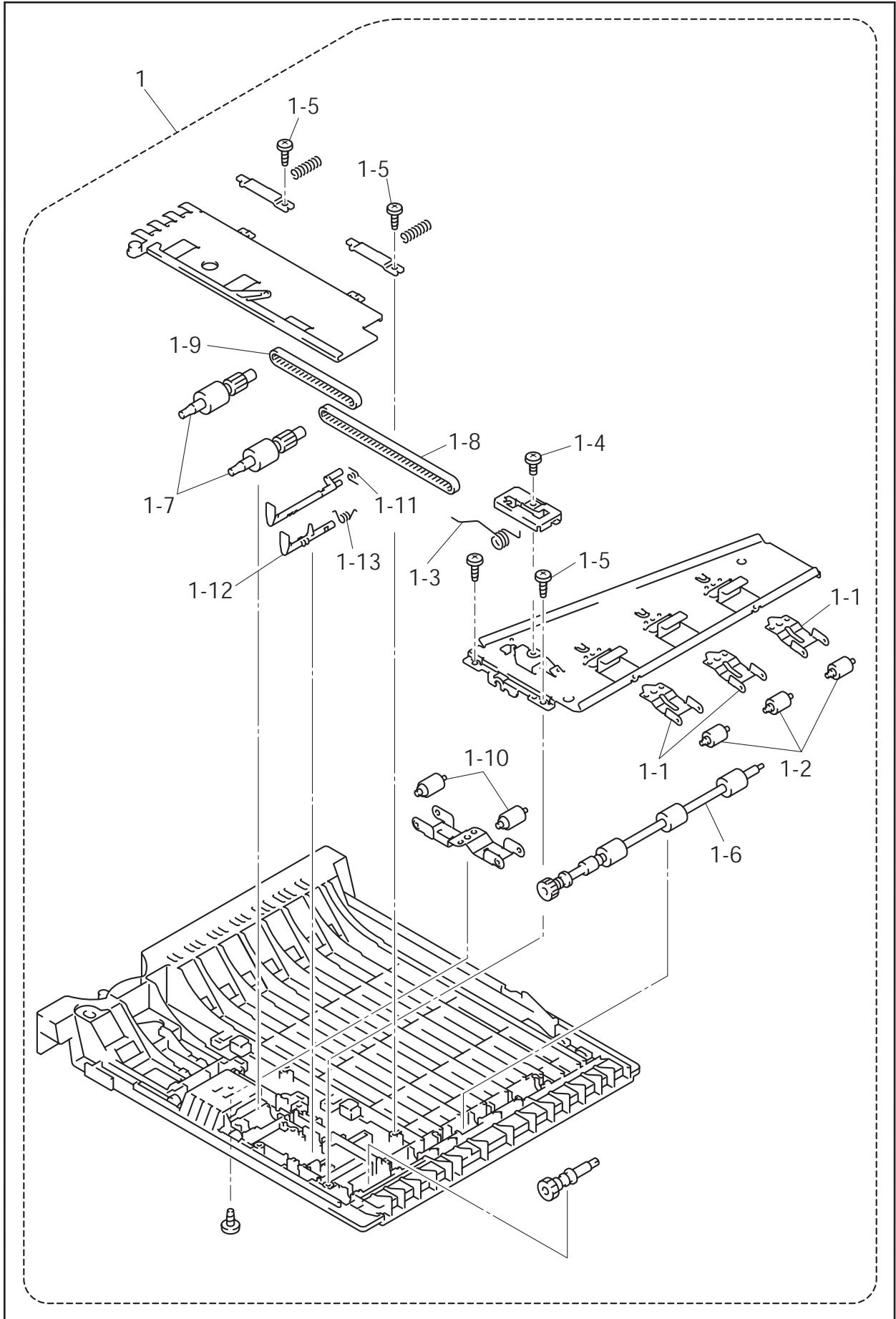
MODEL H6050/6050D/6050DN 84U-Z51/Z52/Z53-041

4. DX

REF.NO.	CODE	Q'TY	DESCRIPTION	REMARK
1	LJ1887001	1	DX FEED ASSY 2	CHG
1-1	LJ7092001	3	ROLLER HOLDER HE	
1-2	UH2360000	3	PRESSURE ROLLER	
1-3	LJ5233001	1	GROUND WIRE	
1-4	060300415	1	SCREW, BIND M3X4	
1-5	085310815	3	TAPTITE, BIND B M3X8	
1-6	LJ5235001	1	DX FEED ROLLER ASSY	
1-7	LJ5238001	2	SIDE REGIST ROLLER	
1-8	LJ5015001	1	T-BELT B40S2M142	
1-9	LJ5240001	1	T-BELT B40S2M224	
1-10	UH2360000	2	PRESSURE ROLLER	
1-11	LJ5249001	1	GUIDE ACTUATOR SPRING	
1-12	LJ5250001	1	DX PAPER ACTUATOR	
1-13	LJ5251001	1	PAPER ACTUATOR SPRING	

MODEL HL-6050/6050D/6050DN 84U-Z51/Z52/Z53-042

4. DX



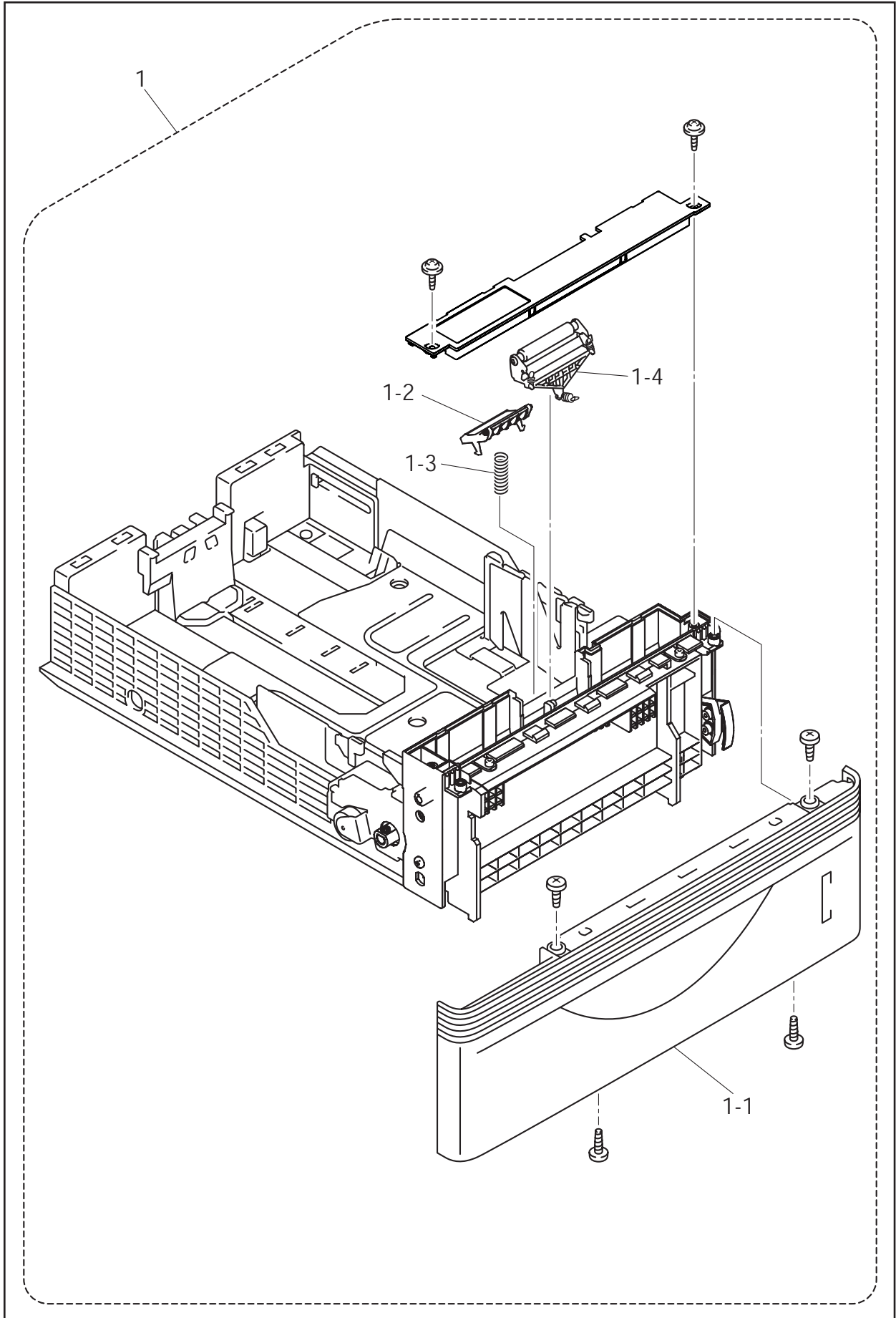
MODEL HL-6050/6050D/6050DN 84U-Z51/Z52/Z53-042

5. PAPER TRAY

REF.NO.	CODE	Q'TY	DESCRIPTION	SYMBOL	REMARK
1	LM3823001	1	PAPER TRAY UNIT (SP)		
1-1	LM3515001	1	FRONT TRAY 1		
1-2	LM3543001	1	SEPARATION PAD ASSY		
1-3	LM3546001	1	SEPARATION PAD SPRING		
1-4	LM3828001	1	P ROLLER SUB ASSY		

MODEL HL-6050/6050D/6050DN 84U-Z51/Z52/Z53-045

## 5. PAPER TRAY



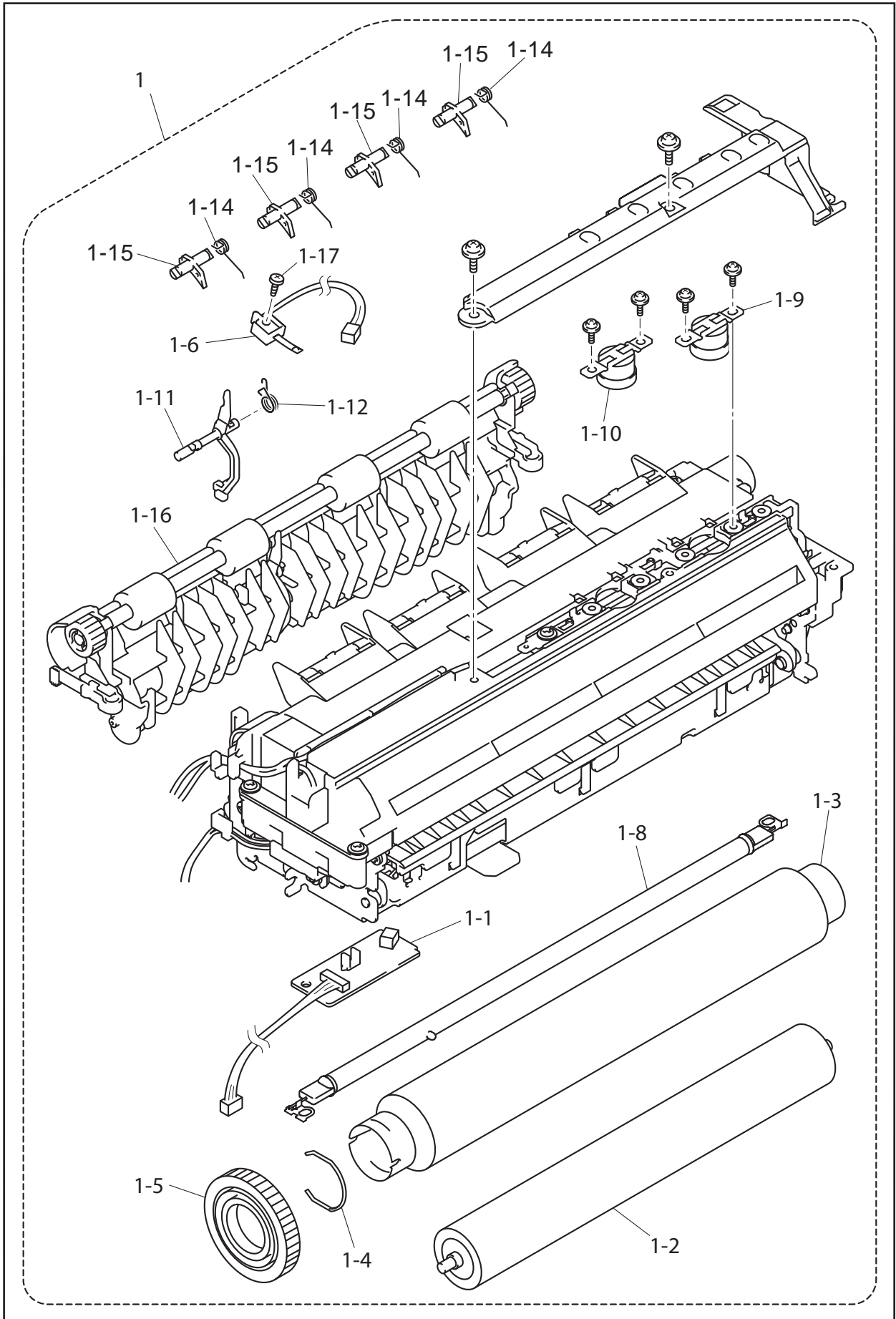
MODEL HL-6050/6050D/6050DN 84U-Z51/Z52/Z53-045

6. FIXING UNIT

REF.NO.	CODE	Q'TY	DESCRIPTION	SYMBOL	REMARK
1	LU1175001	1	FIXING UNIT 115LT (SP)		chg
1	LU1177001	1	FIXING UNIT 230A4 (SP)		chg
1-1	LJ9414001	1	FIXING SENSOR PCB ASSY AML	B512179	
1-2	LM3016001	1	PRESSURE ROLLER 30		
1-3	LM3023001	1	HEAT ROLLER 34		
1-4	LM3024001	1	HR RING		
1-5	LM3026001	1	HEAT ROLLER GEAR 30		
1-6	LM3029001	1	THERMISTOR C		
<del>1-7</del>	<del>LM3030001</del>	<del>4</del>	<del>SEPARATION PLATE</del>		<del>del</del>
1-8	LM3784001	1	HALOGEN HEATER 115 S ASSY (SP)		
1-8	LM3785001	1	HALOGEN HEATER 230 S ASSY (SP)		
1-9	LM3047001	1	THERMOSTAT 1		
1-10	LM3048001	1	THERMOSTAT 2		
1-11	LM3054001	1	FIXING SENSOR ACTUATOR		
1-12	LM3055001	1	SENSOR SPRING		
<del>1-13</del>	<del>LM3856001</del>	<del>2</del>	<del>SHOULDER SCREW</del>		<del>del</del>
1-14	LJ1831001	4	SP PAWL SPRING		add
1-15	LJ1686001	4	SEPARATE PAWL AM		add
1-16	LM3053001	1	OPEN COVER		add
1-17	LU1183001	1	SCREW PAN (S/P WASHER) M3X10 L		ADD

MODEL HL-6050/6050D/6050DN 84U-Z51/Z52/Z53-050

6. FIXING UNIT



MODEL HL-6050/6050D/6050DN 84U-Z51/Z52/Z53-050

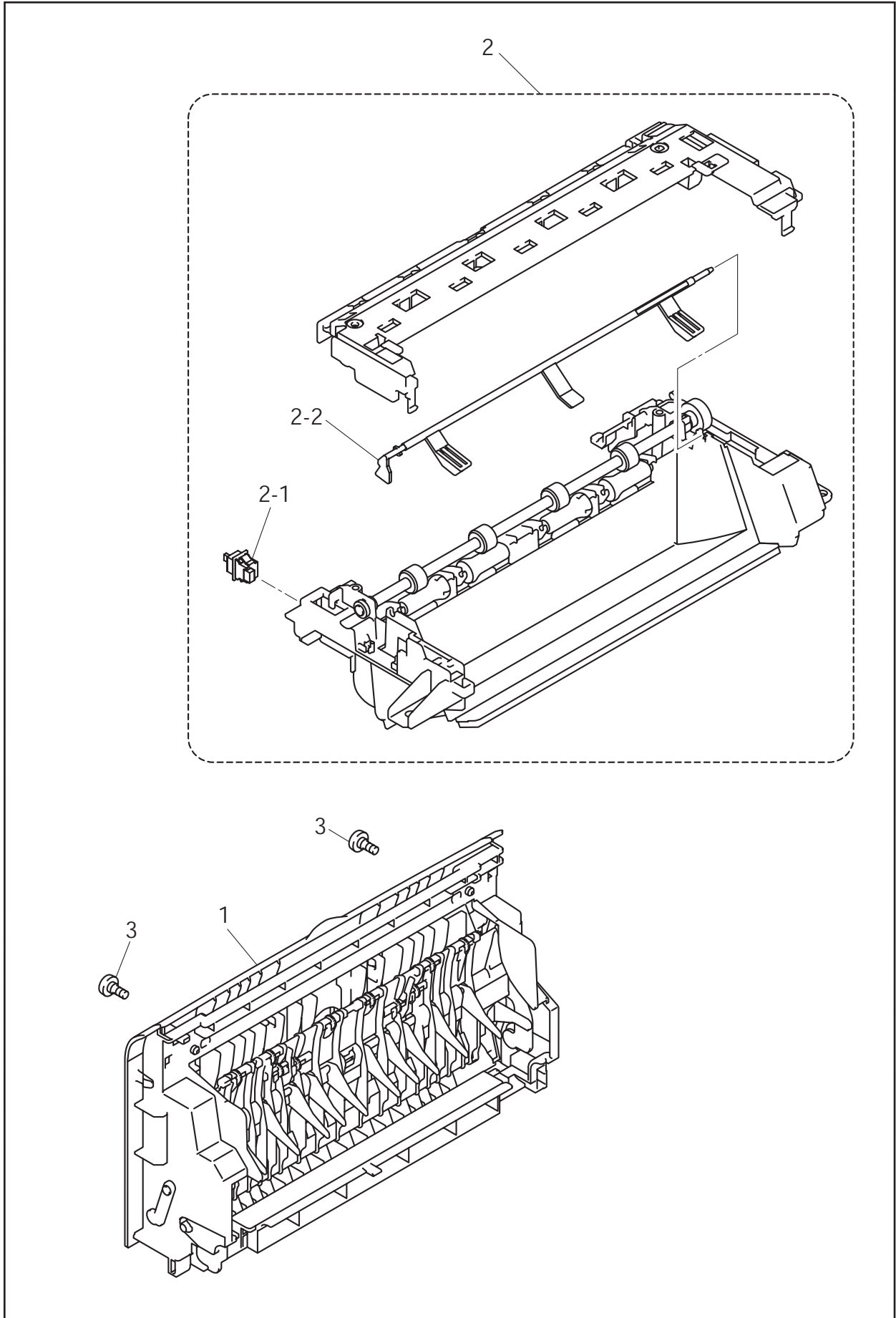


7. PAPER EJECT

REF.NO.	CODE	Q'TY	DESCRIPTION	SYMBOL	REMARK
1	LM3123001	1	REAR COVER ASSY		
2	LM3133001	1	EXIT ROLLER UNIT		
2-1	LG3218001	1	DOCUMENT COVER SENSOR		
2-2	LM3701001	1	PAPER UPPER GUIDE		
3	LM3856001	2	SHOULDER SCREW		ADD

MODEL HL-6050/6050D/6050DN 84U-Z51/Z52/Z53-055

## 7. PAPER EJECT



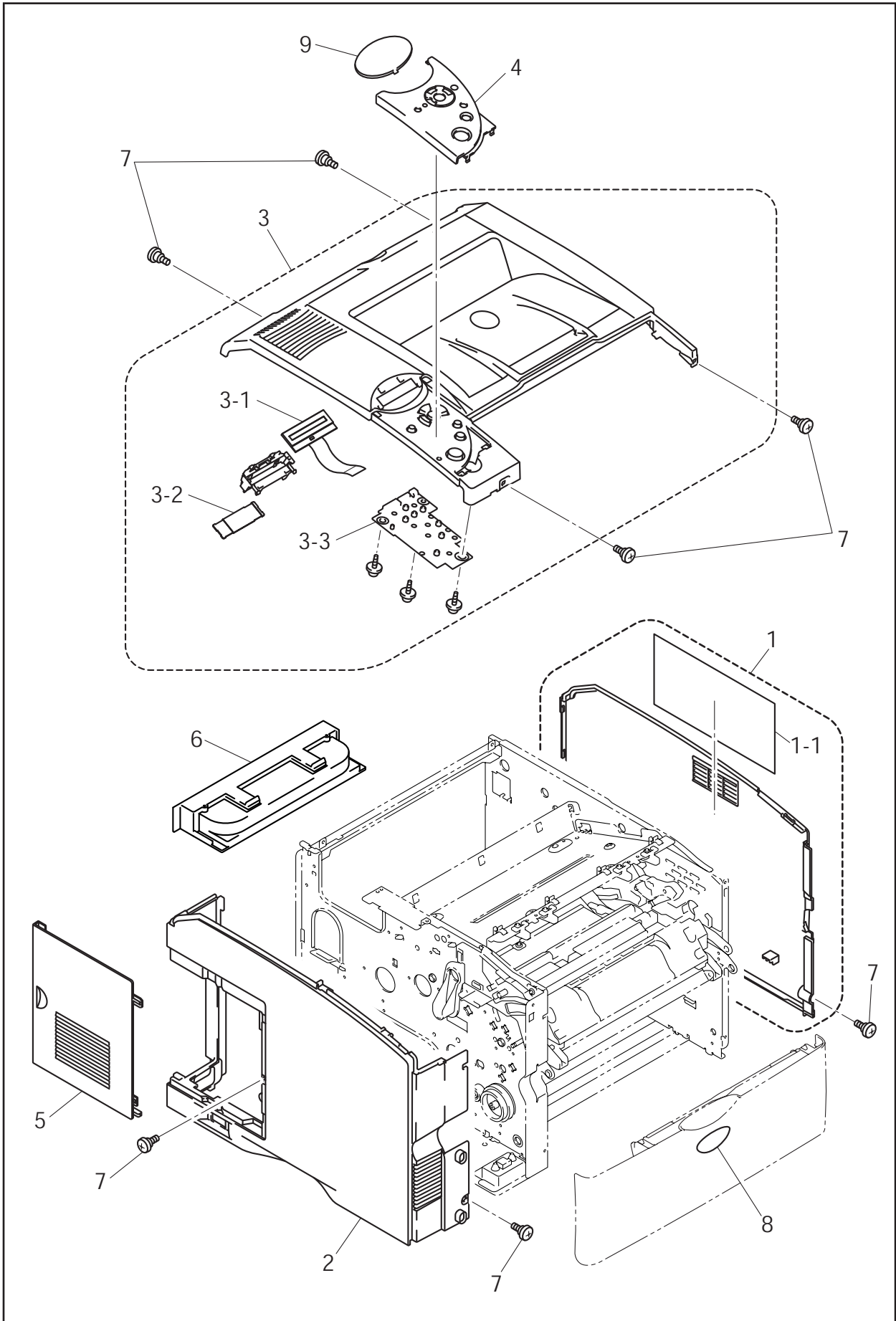
MODEL HL-6050/6050D/6050DN 84U-Z51/Z52/Z53-055

8. COVERS/LABELS

REF.NO.	CODE	Q'TY	DESCRIPTION	SYMBOL	REMARK
1	LM3859001	1	SIDE COVER R ASSY		chg
1-1	LM3858001	1	SHADE FILM		add
2	LM3558001	1	SIDE COVER L		
3	LM3560001	1	TOP COVER ASSY		
3-1	LJ5301001	1	LCDLMG161S6-TPT		
3-2	LJ9452001	1	BACK LIGHT PCB ASSY AML	B512176	
3-3	LJ9439001	1	PANEL PCB ASSY AML	B512175	
4	LM3449001	1	PRINTED PANEL COVER US		
4	LM3742001	1	PRINTED PANEL COVER EUR		
4	LM3915001	1	PRINTED PANEL COVER CHN		ADD
5	LM3573001	1	ACCESS COVER		
6	LM3635001	1	COVER DX (HL-6050 ONLY)		
7	LM3856001	7	SHOULDER SCREW		chg
8	LJ7350001	1	BROTHER EMBLEM		
9	LM3575001	1	PRINTED LCD COVER ASSY 6050D		
9	LM3746001	1	PRINTED LCD COVER ASSY 6050DN		
9	LM3754001	1	PRINTED LCD COVER ASSY 6050		
10	LJ0908001	1	LASER CAUTION LABEL B		add
10	UL7931001	1	LASER LABEL LEGEND		ADD

MODEL HL-6050/6050D/6050DN 84U-Z51/Z52/Z53-060/061

## 8. COVERS/LABELS



MODEL HL-6050/6050D/6050DN 84U-Z51/Z52/Z53-060/061

9. MAIN PCB

REF.NO.	CODE	Q'TY	DESCRIPTION	SYMBOL	REMARK
1	LJ9487001	1	MAIN PCB ASSY AML (HL-6050D/6050DN)	B512169	
1	LJ9665001	1	MAIN PCB ASSY AML CHN	B512169	ADD
1	LJ9487002	1	MAIN PCB ASSY AML (HL-6050)	B512169	

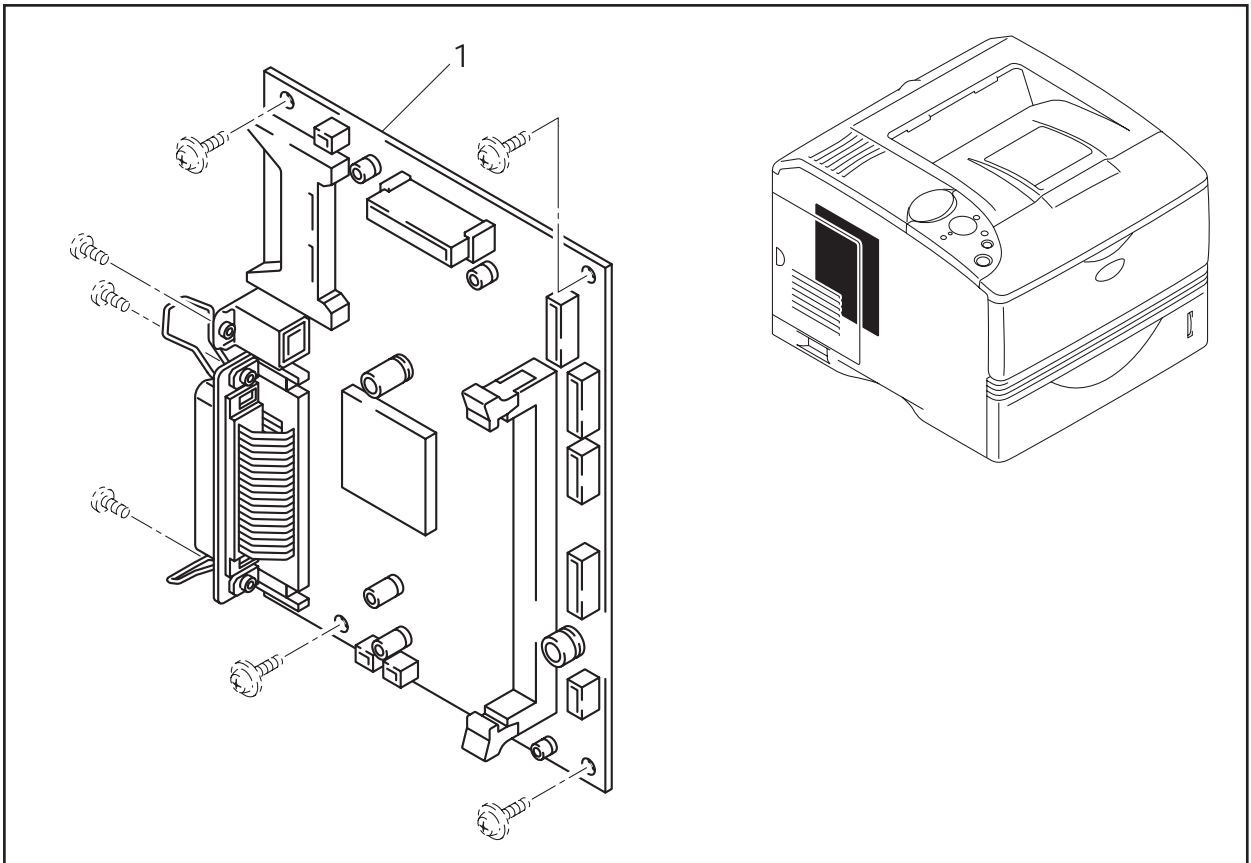
MODEL HL-6050/6050D/6050DN 84U-Z51/Z52/Z53-101

10. ENGINE PCB

REF.NO.	CODE	Q'TY	DESCRIPTION	SYMBOL	REMARK
1	LJ9912001	1	ENGINE PCB ASSY AML	B512172	CHG

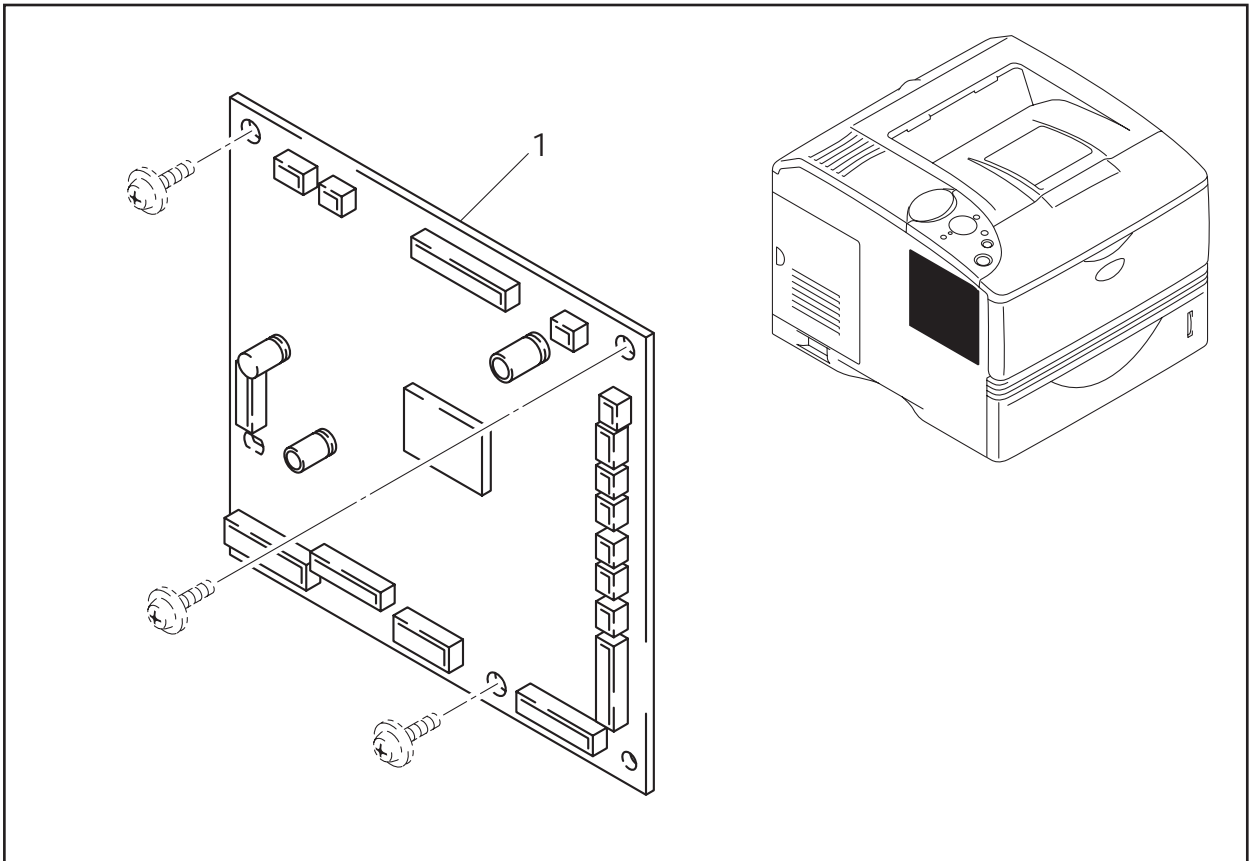
MODEL HL-6050/6050D/6050DN 84U-Z51/Z52/Z53-151

## 9. MAIN PCB



MODEL HL-6050/6050D/6050DN 84U-Z51/Z52/Z53-101

## 10. ENGINE PCB



MODEL HL-6050/6050D/6050DN 84U-Z51/Z52/Z53-151

11. HVPS

REF.NO.	CODE	Q'TY	DESCRIPTION	SYMBOL	REMARK
1	LJ9412001	1	HV PS PCB ASSY, AML	MPH3257	

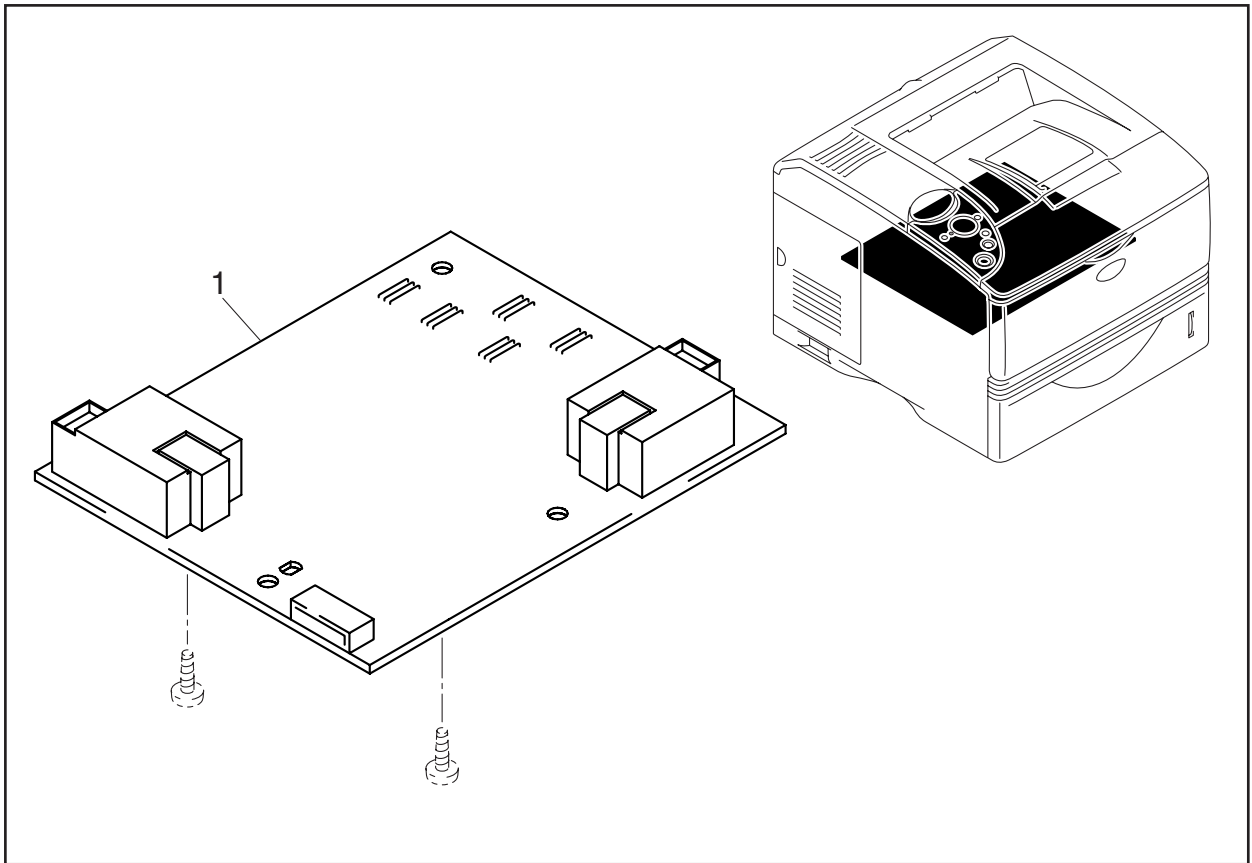
MODEL HL-6050/6050D/6050DN 84U-Z51/Z52/Z53-220

12. LVPS

REF.NO.	CODE	Q'TY	DESCRIPTION	SYMBOL	REMARK
1	LJ9584001	1	LVPS UNIT AML, 115V		
1	LT1660001	1	LVPS UNIT AML, 230V		CHG
1	LJ9645001	1	LVPS UNIT AML, 230V CHN		add
1-1	LJ9406001	1	LVPS PCB ASSY AML, 115V	MPS2203	
1-1	LJ9405001	1	LVPS PCB ASSY AML, 230V	MPS2103	
1-1	LJ9642001	1	LVPS PCB ASSY AML, 230V CHN	MPS2103	add
2	LM3815001	1	FAN 40 SPONGE ASSY		

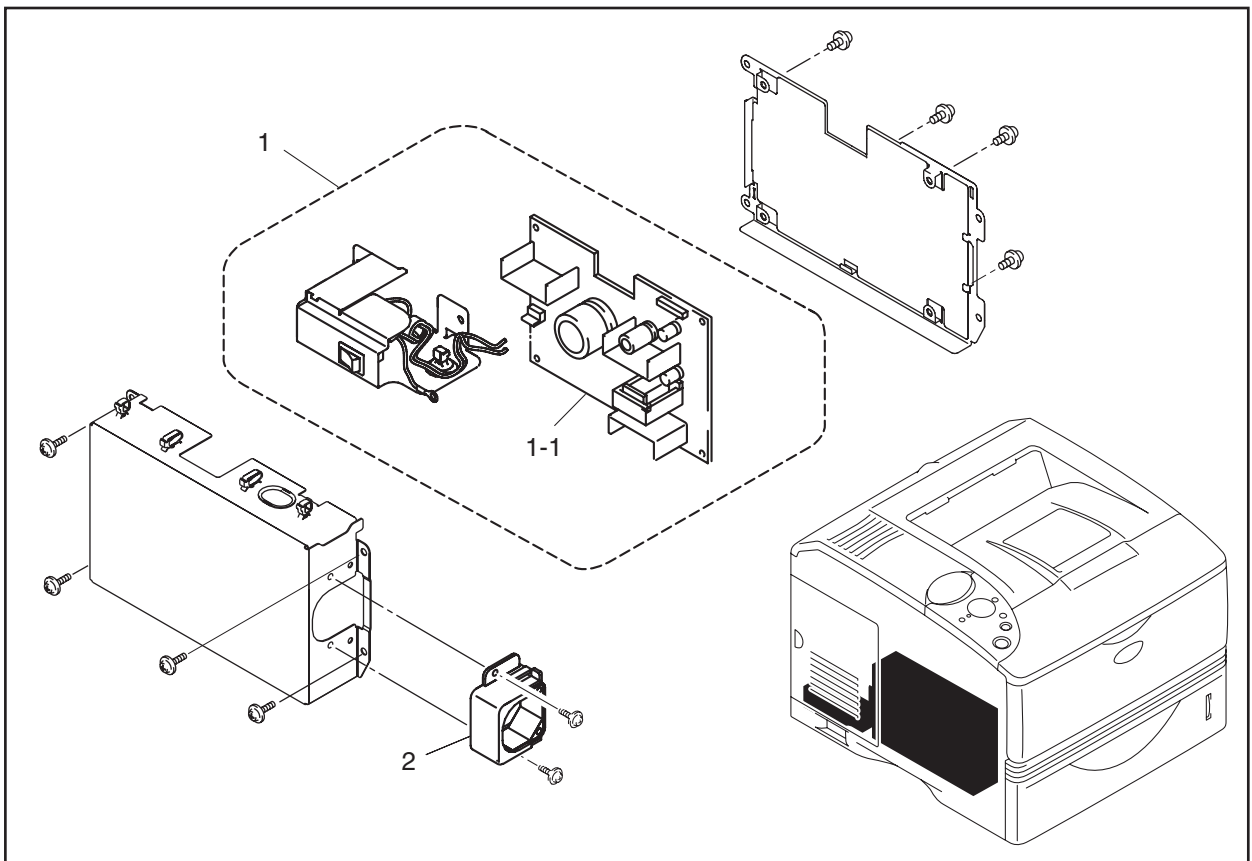
MODEL HL-6050/6050D/6050DN 84U-Z51/Z52/Z53-200

## 11. HVPS



MODEL HL-6050/6050D/6050DN 84U-Z51/Z52/Z53-220

## 12. LVPS



MODEL HL-6050/6050D/6050DN 84U-Z51/Z52/Z53-200



13. NETWORK BOARD

REF.NO.	CODE	Q'TY	DESCRIPTION	REMARK
1	LJ9536001	1	NC-6100H PCB UNIT	
2	087320616	2	TAPTITE, CUP S M3X6	

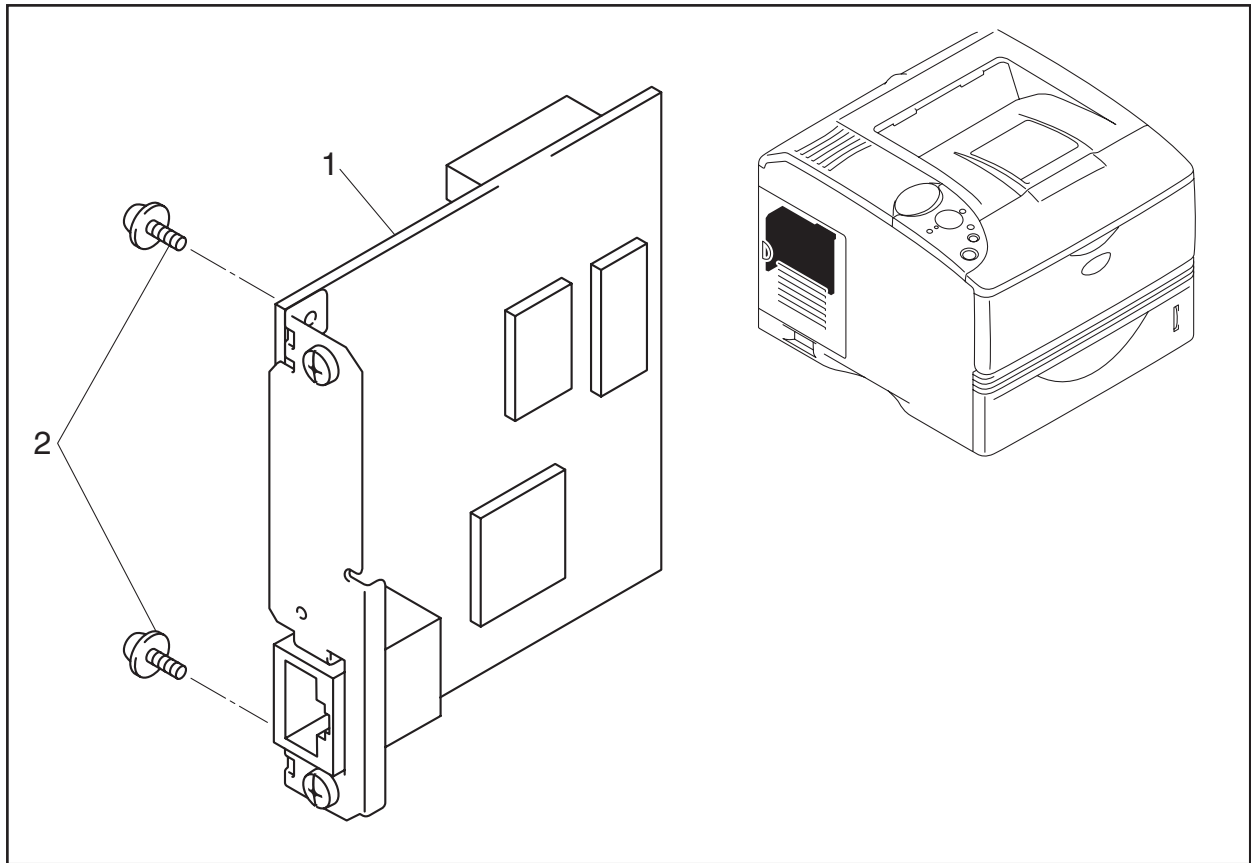
MODEL HL-6050/6050D/6050DN 84U-Z51/Z52/Z53-150

14.AC CORDS

REF.NO.	CODE	Q'TY	DESCRIPTION	REMARK
1	LJ9271001	1	AC CORD ASSY LF, UL/CSA 10A	
2	LJ9103001	1	AC CORD ASSY LF, VDE	
3	LV0367001	1	AC CORD ASSY LF, BS/PSB	chg
4	LV0365001	1	AC CORD LF, SAA	chg
5	LV0946001	1	AC CORD ASSY LF, SEV	CHG
6	LJ9256001	1	AC CORD ASSY LF, DEMKO	
7	LM9288001	1	AC CORD ASSY LF, ISRAEL	chg
8	LJ9295001	1	AC CORD ASSY LF, SOUTH AFRICA	
9	LV0361001	1	AC CORD ASSY LF, CHN	chg

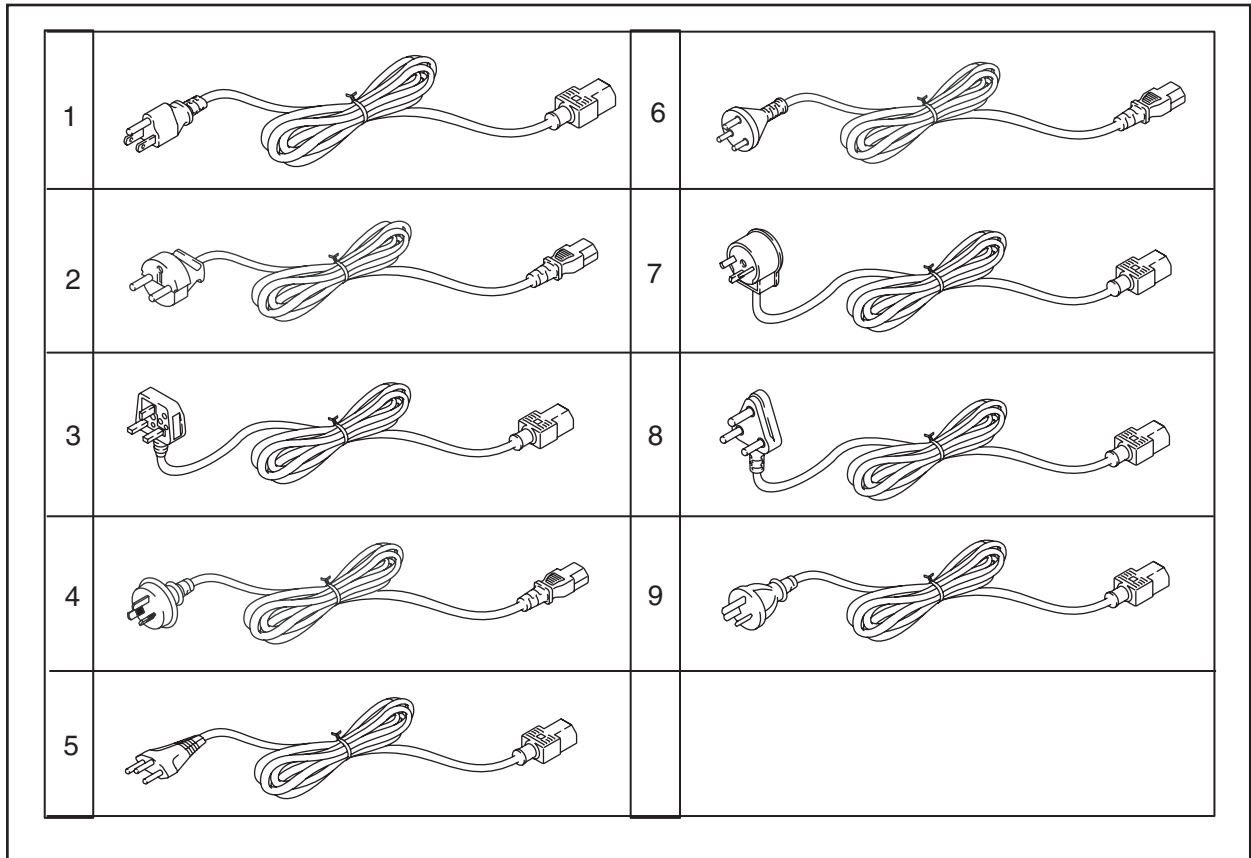
MODEL HL-6050/6050D/6050DN 84U-Z51/Z52/Z53-230

### 13. NETWORK BOAD



MODEL HL-6050/6050D/6050DN 84U-Z51/Z52/Z53-150

### 14. AC CORDS



MODEL HL-6050/6050D/6050DN 84U-Z51/Z52/Z53-230

15. ACCESSORIES

REF.NO.	CODE	Q'TY	DESCRIPTION	REMARK
1	LJ1846001	1	CD ASSY 6050D/6050DN/6050	chg
1	LM3918001	1	CD ASSY 6050D/6050DN CHN	add
2	LJ1844001	1	SET GUIDE ENG	chg
2	LM3744001	1	SET GUIDE GER	
2	LJ1845001	1	SET GUIDE FRE	chg
2	LM3777001	1	SET GUIDE DEN	
2	LM3778001	1	SET GUIDE SPA	
2	LM3779001	1	SET GUIDE POR	
2	LM3780001	1	SET GUIDE SWI/ITA	
2	LM3781001	1	SET GUIDE DUT	
2	LM3782001	1	SET GUIDE NOR/SWE	
2	LM3917001	1	SET GUIDE CHN	add
3	LM3470001	1	COMPACT FLASH GUARD ASSY	add
4	LJ9803001	1	USB CABLE 2.0 CHN	add
5	LU0428001	1	CD-ROM ASSY VISTA 6050D/6050DN/6050	add
5	LU0426001	1	CD-ROM ASSY VISTA 6050D/6050DN CHN	add
6	LU1163001	1	CD ASSY WIN7 6050D/6050DN/6050 *1	ADD
6	LU1162001	1	CD ASSY WIN7 6050D/6050DN CHN	ADD
7	LU0354001	1	SETUP GUIDE VISTA ENG *2	add
7	LU0356001	1	SETUP GUIDE VISTA FRE *3	add
7	LU7878001	1	SETUP GUIDE VI/7 ENG *1	ADD
7	LU7880001	1	SETUP GUIDE VI/7 FRE *4	ADD
7	LU7879001	1	SETUP GUIDE VI/7 GER	CHG
7	LU7881001	1	SETUP GUIDE VI/7 DUT	CHG
7	LU7882001	1	SETUP GUIDE VI/7 SWI/ITA	CHG
7	LU7883001	1	SETUP GUIDE VI/7 SPA	CHG
7	LU7884001	1	SETUP GUIDE VI/7 POR	CHG
7	LU7885001	1	SETUP GUIDE VI/7 NOR	CHG
7	LU7886001	1	SETUP GUIDE VI/7 SWE	CHG
7	LU7887001	1	SETUP GUIDE VI/7 DEN	CHG
7	LU7890001	1	SETUP GUIDE VI/7 CHN	CHG

\*1 Except for US and Canada model  
\*2 US and Canada model only  
\*3 Canada model only  
\*4 Except for Canada model

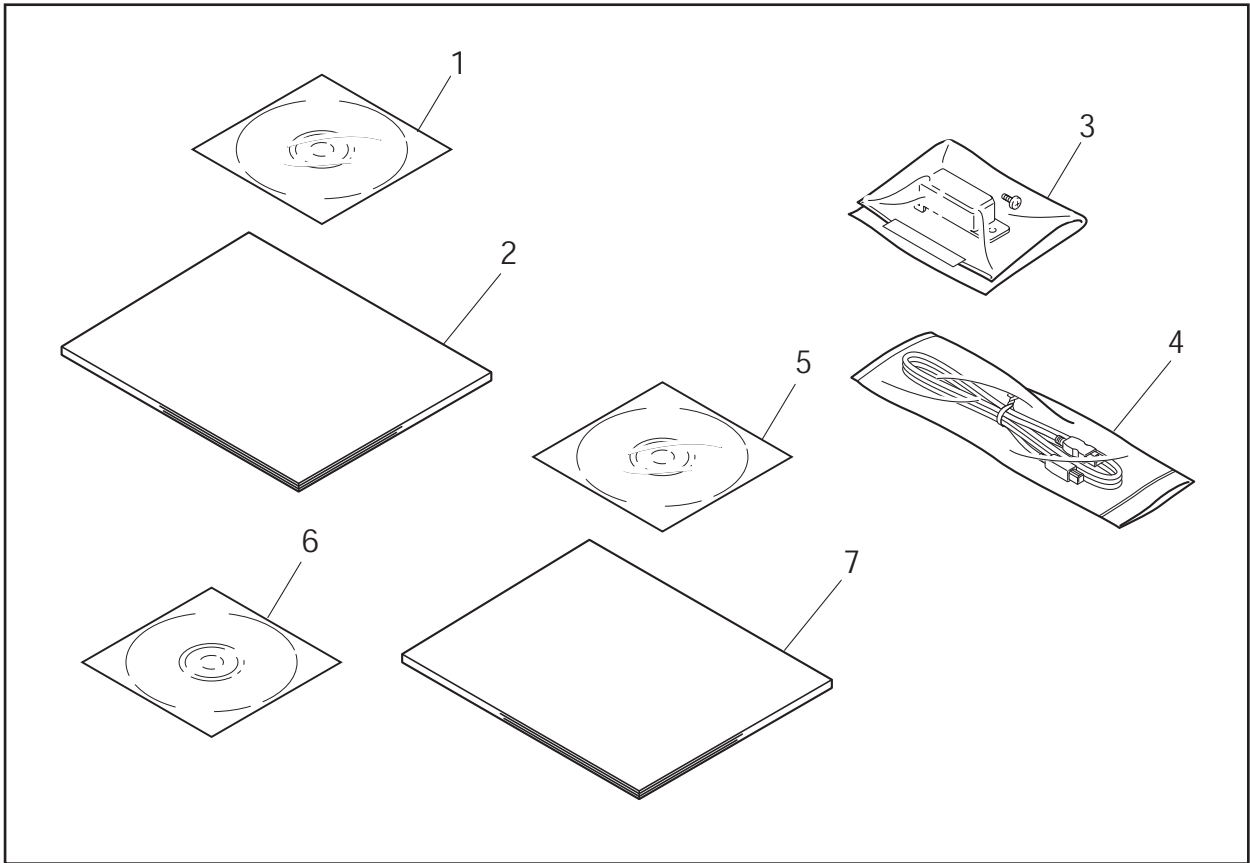
MODEL HL-6050/6050D/6050DN 84U-Z51/Z52/Z53-910/920

16. PACKING MATERIALS

REF.NO.	CODE	Q'TY	DESCRIPTION	REMARK
1	LM3706001	1	CARTON, HL-6050D US	
1	LM3708001	1	CARTON, HL-6050DN US	
1	LM3707001	1	CARTON, HL-6050D EUR	
1	LM3709001	1	CARTON, HL-6050DN EUR	
1	LM3710001	1	CARTON, HL-6050 EUR	
1	LM3920001	1	CARTON, HL-6050D CHN	add
1	LM3921001	1	CARTON, HL-6050DN CHN	add
2	LM3735001	1	POLYSTYRENE PAD ASSY HL-6050	
3	LJ0763001	1	BAG, 1000X1000H	

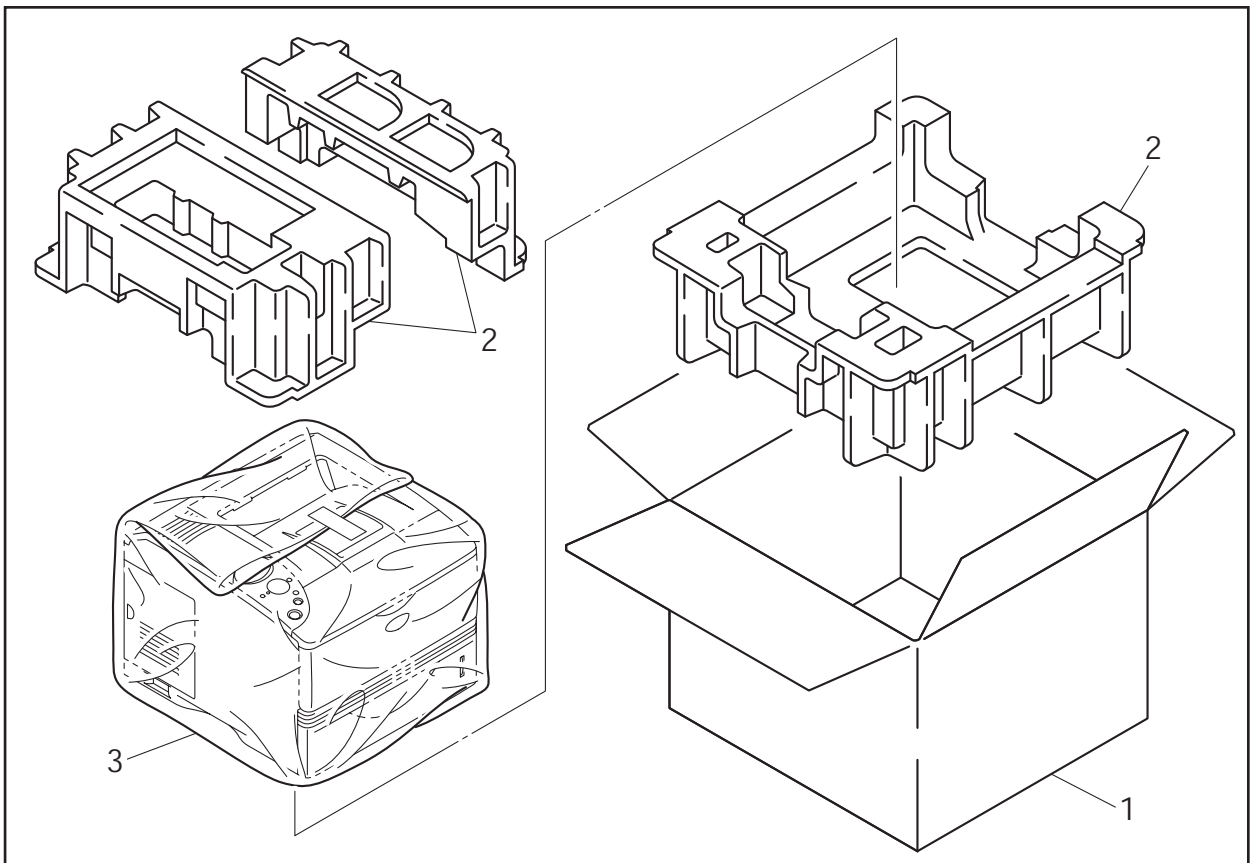
MODEL HL-6050/6050D/6050DN 84U-Z51/Z52/Z53-930

## 15.ACCESSORIES



MODEL H6050/6050D/6050DN 84U-Z51/Z52/Z53-910/920

## 16.PACKINGMATERIALS



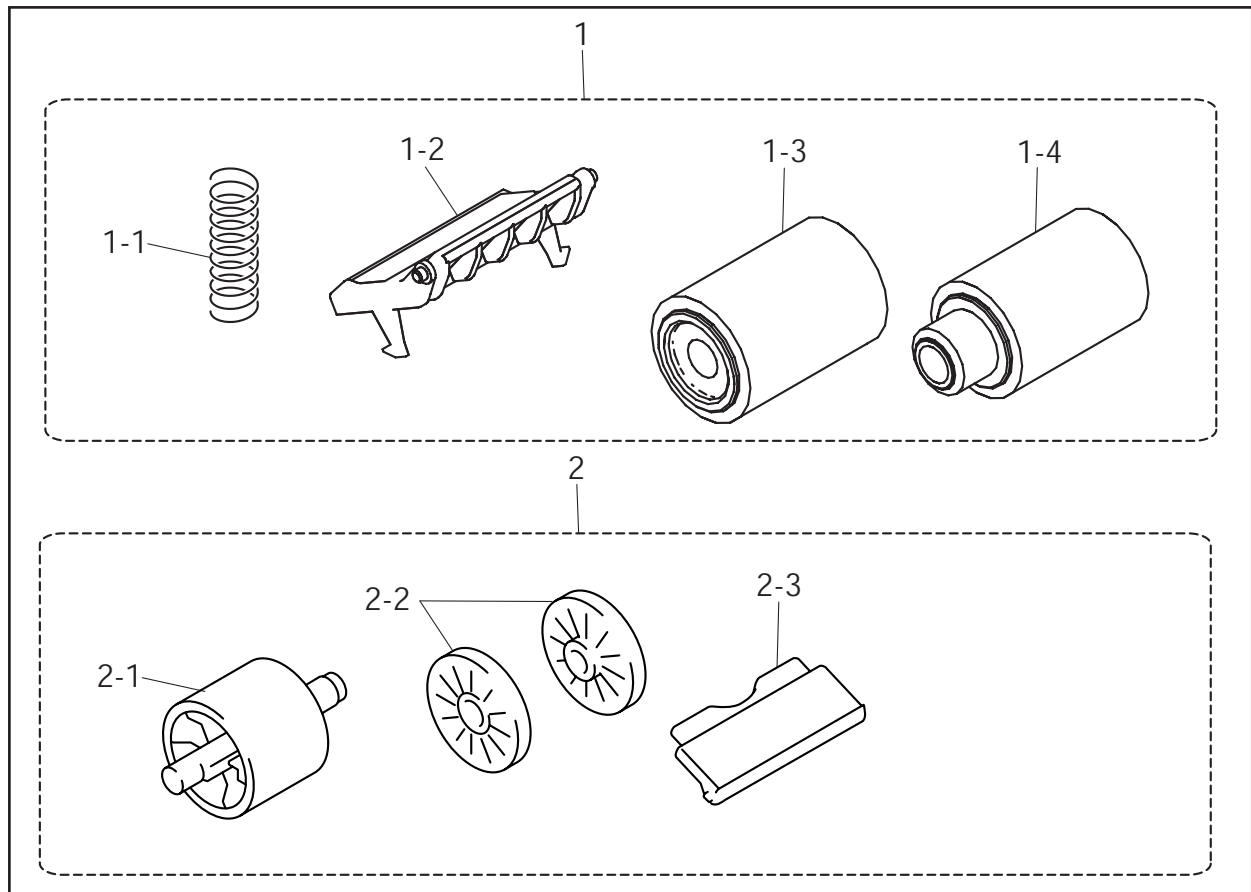
MODEL H6050/6050D/6050DN 84U-Z51/Z52/Z53-930

17. PERIODICAL MAINTENANCE PARTS

REF.NO.	CODE	Q'TY	DESCRIPTION	REMARK
1	LU0523001	1	PAPER FEEDING KIT 1	CHG
1-1	LM3546001	1	SEPARATION PAD SPRING *1	
1-2	LM3543001	1	SEPARATION PAD ASSY *1	
1-3	LM3454001	1	SEPARATION ROLLER ASSY *2	
1-4	LU0496001	1	FEED ROLLER ASSY 1 *2	CHG
2	LM3844001	1	PAPER FEEDING KIT MP	add
2-1	LJ5016001	1	PAPER PICK-UP ROLLER ASSY *2	add
2-2	LJ5150001	2	ROLLER COLLAR *2	add
2-3	LJ5184001	1	SEPARATION PLATE ASSY *2	add
			*1 Refer to "5. PAPER TRAY"	
			*2 Refer to "3. PAPER FEEDER/ MP UNIT"	

MODEL HL-6050/6050D/6050DN 84U-Z51/Z52/Z53-940

## 17. PERIODICAL MAINTENANCE PARTS



MODEL HL-6050/6050D/6050DN 84U-Z51/Z52/Z53-940