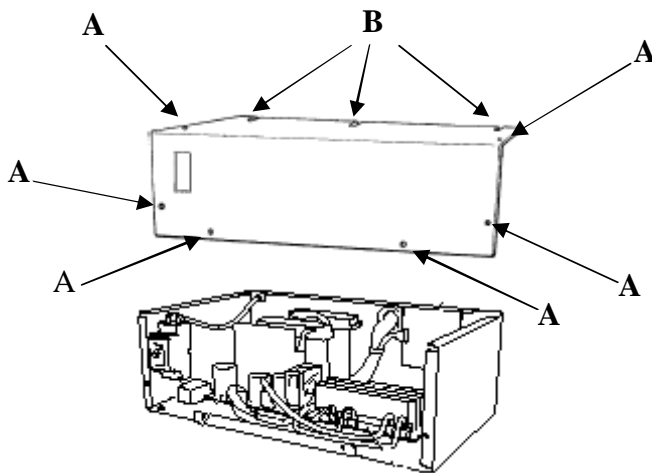


Title: Replacing Main Board

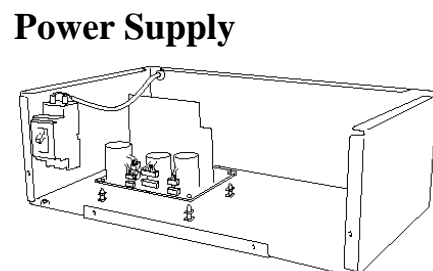
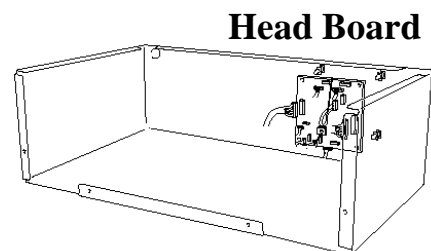
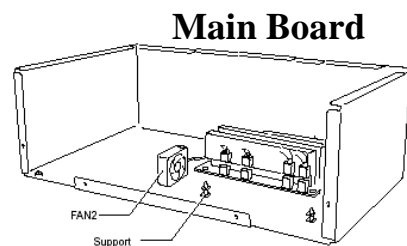
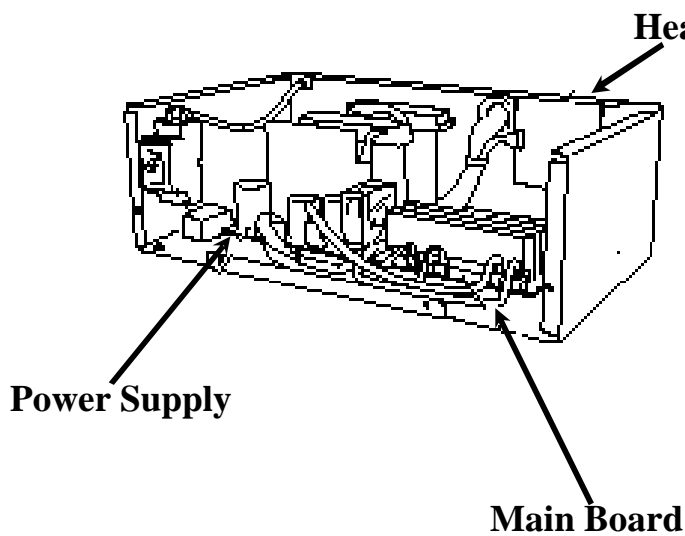
Date: February 25, 2009

Models: BE-901, BE-901-PC, BE-1201, BE-1201-PC, BES-916, BES-1216

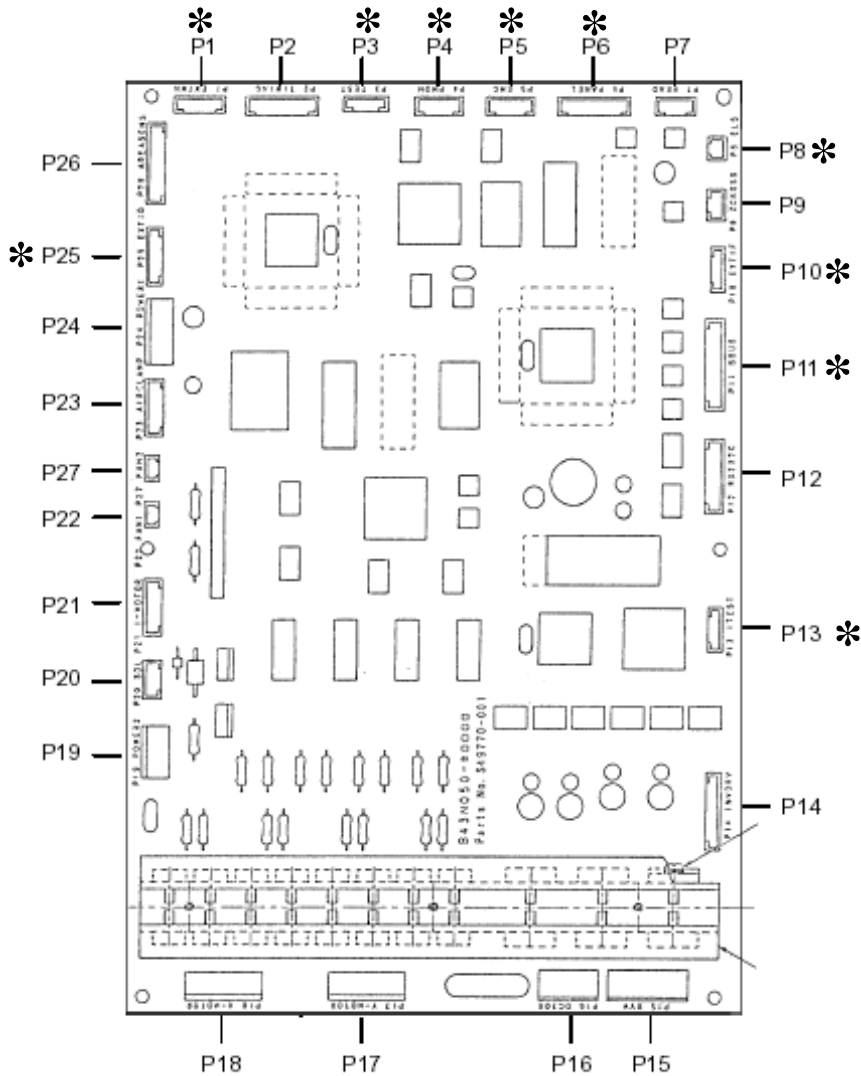
1. Make sure machine is OFF and Unplugged.
2. Remove cover assy. (Six screws removed "A", Three loosened "B")



3. Identifying Main Board. (Also: Power Supply, and Head Board)

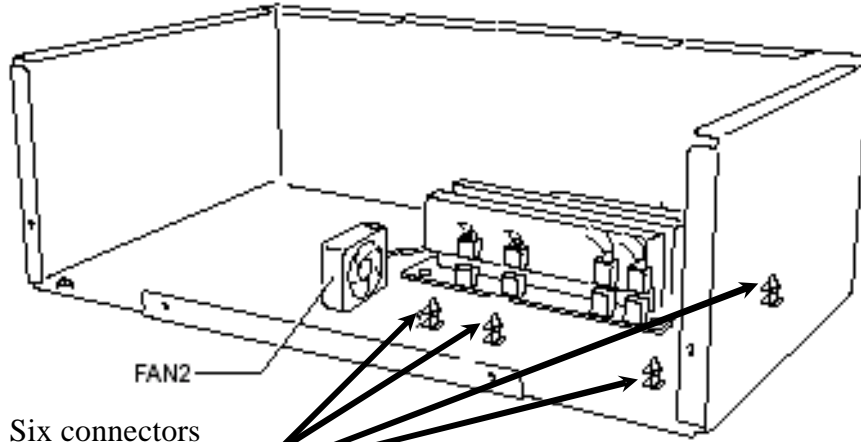


4. Unplugging all wire connector harnesses. Note following connectors are not used or have jumper: P5 & P25—have a jumper, P1, P3, P4, P6, P8, P10, P11 and P13—Not used: marked with asterisk *.



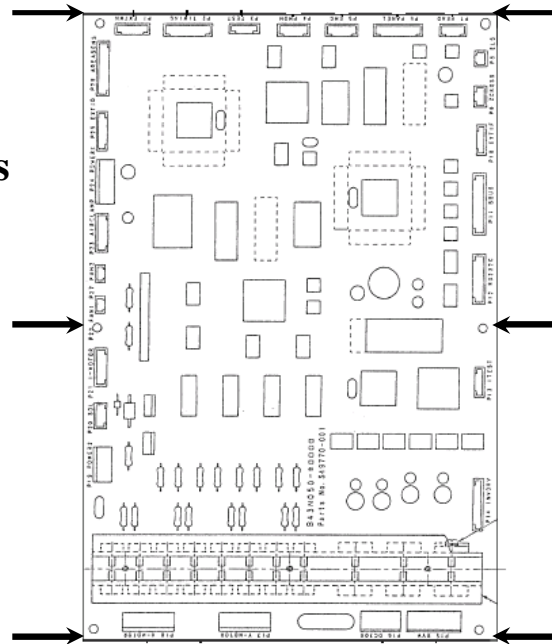
5. Unplug all connectores to remove board. However, keep in mind that connectors only go in one spot and can not be confused.
6. Board is held inplace by plastic clip locks. In order to unlock you will need to squeeze locks and lightly pull-up on board to release.

(Fig. 1-1)



Six connectors
total hold board
down.

Clip Locations

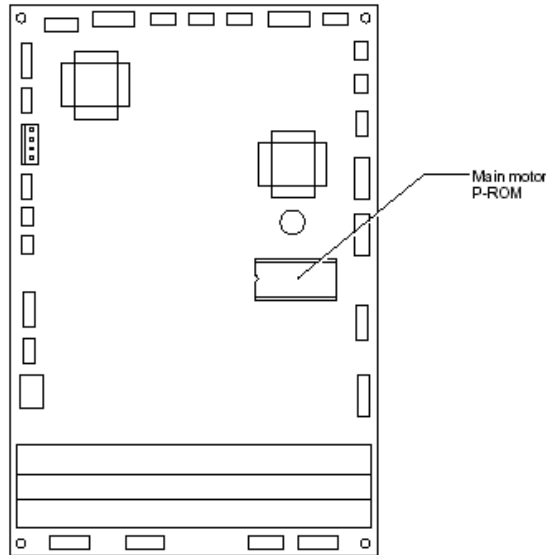


7. Once you remove the old board you are ready to install the new one. Things to look for before installing.

A. Jumpers on plugs P-25 and P-5.

1. If the new board does not have them please use the ones from old board; this will be OK.

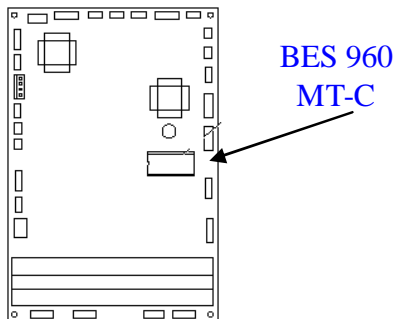
B. P-ROM =



1. If the new board does not have P-ROM please use the one from old board; it will be OK.

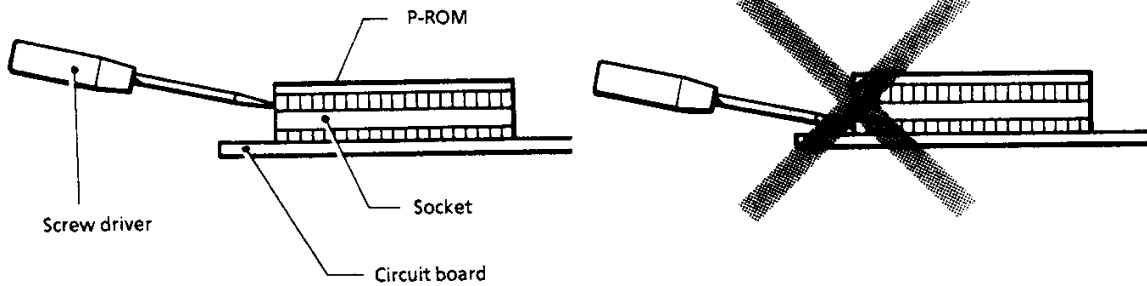
P-Rom Replacement:

- 1) Locate the P-ROM that is mounted on the board. You will need to remove the old P-ROM chip carefully (*see below*).
- 2) Re-insert the new P-ROM chip very carefully. You must ensure that all the legs are entering the proper hole and that no legs are bent or broken off. ***Use extreme caution when performing this task.***





Be sure to align the U-shape cut out to the socket mount.



8. Installing board, please follow reverse instructions on removal.
9. After board is installed and all plugged in you will need to perform a version up-grade in accordance with the model of machine. **The machine will act like it is in-operative until this step is performed.** For version up-grading machine please follow version up-grade procedure.