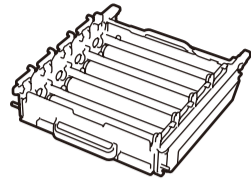
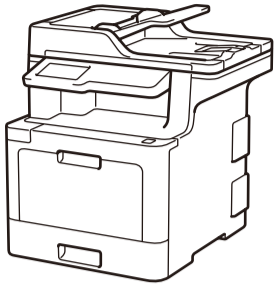
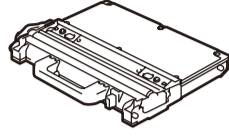




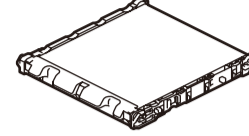
Unpack the machine and check the components



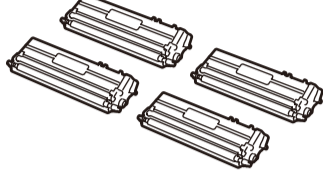
Drum Unit*



Waste Toner Box*



Belt Unit*



Toner Cartridges*
(Black, Cyan, Magenta and Yellow)



Telephone Line Cord



AC Power Cord



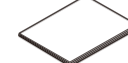
Brother Installation Disc



Quick Setup Guide



Product Safety Guide



Reference Guide

NOTE:

- Manuals in Spanish for this model are available on the Brother Solutions Center. (USA only): solutions.brother.com/manuals
Los manuales en español de este modelo están disponibles en el Brother Solutions Center. (Solamente en los Estados Unidos): solutions.brother.com/manuals
- The components included in the box may differ depending on your country.
- The available connection interfaces vary depending on the model.
- Interface cables are not included. You must purchase the correct interface cable if you require one.

USB cable

We recommend using a USB 2.0 cable (Type A/B) that is no more than 6 feet (2 meters) long.

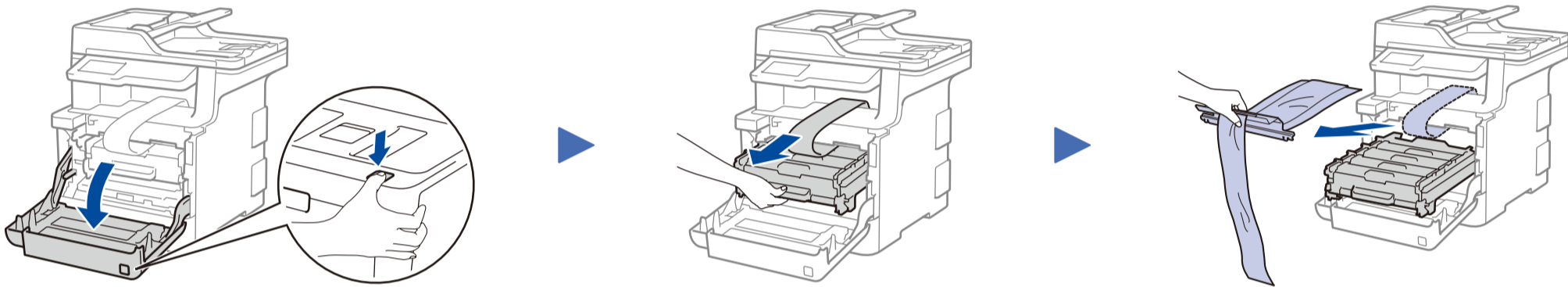
Network cable

Use a straight-through Category 5e (or greater) twisted-pair cable.

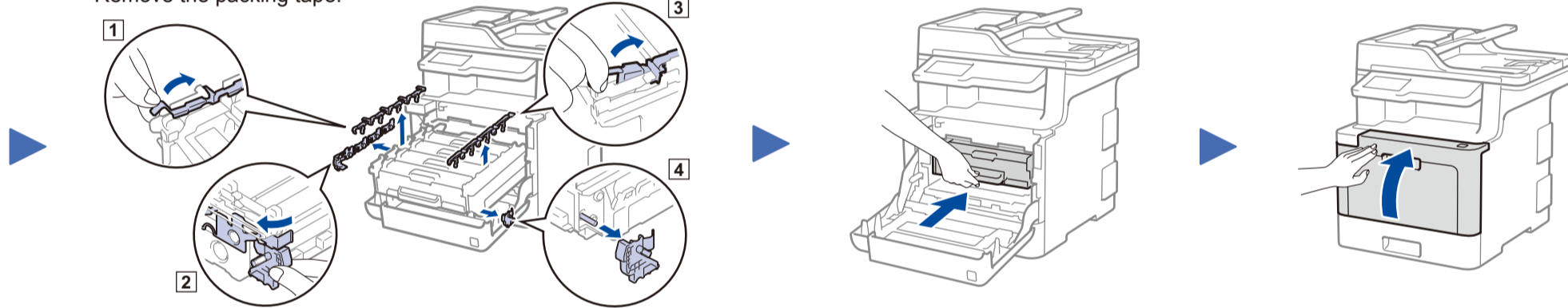


Watch our Video FAQs for help with setting up your Brother machine: solutions.brother.com/videos.

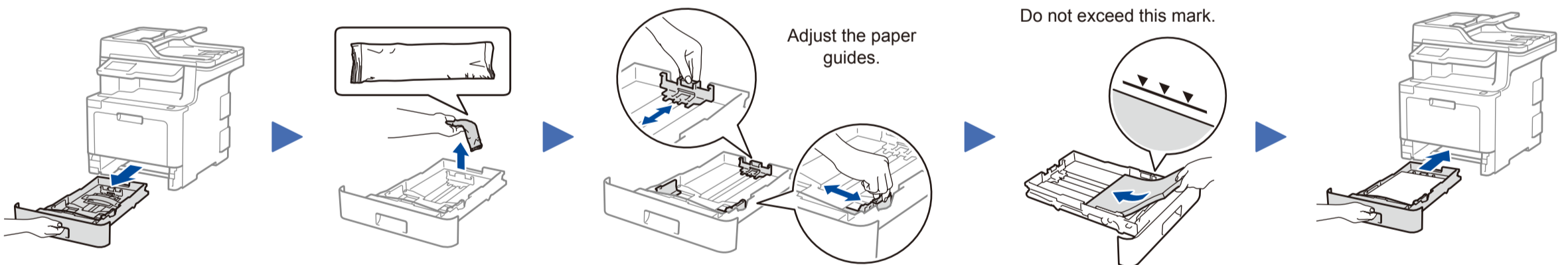
1 Remove the packing materials and install the drum unit and toner cartridge assembly



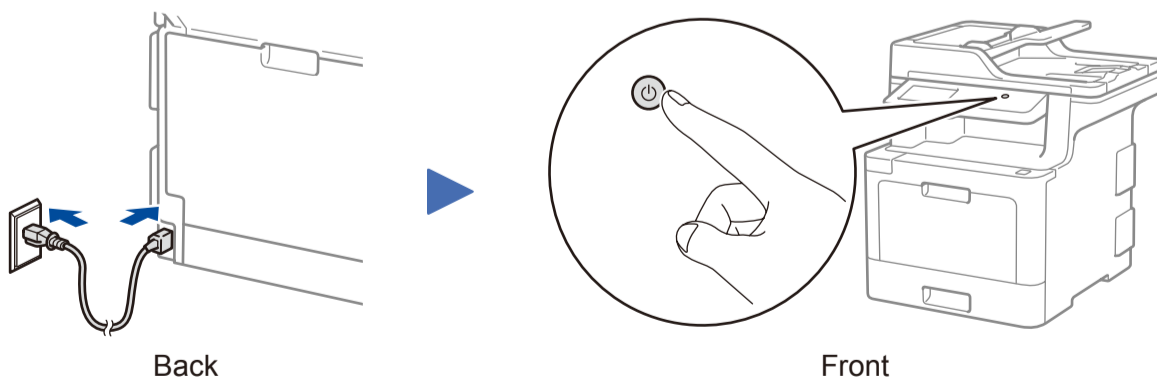
Remove the packing tape.



2 Load paper in the paper tray

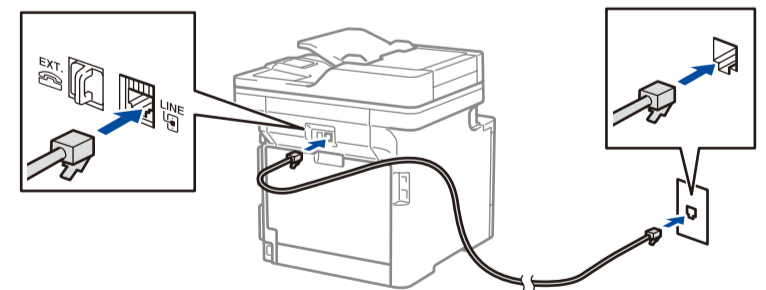


3 Connect the power cord and turn on the machine



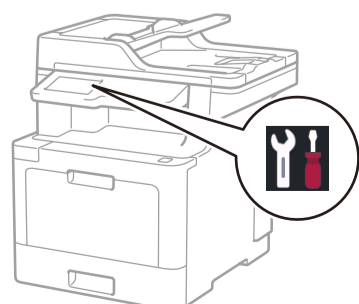
4 Connect the telephone line cord

If you do not plan to use the fax feature on this machine, go to step 5.



5 Select your language (if needed)

1. On the machine's Touchscreen, press [All Settings] > [Initial Setup] > [Local Language].
2. Press your language.
3. Press .



6 Configure the machine for faxing

If you do not plan to use the fax feature on this machine, go to step 7.

NOTE:

- For more information on using the fax feature, see the *Online User's Guide*.
- Your machine is programmed to automatically receive faxes. To change this default mode, see the *Online User's Guide*.

A. Set the date and time

Press [All Settings] > [Initial Setup] > [Date & Time], and then set the date and time you want.

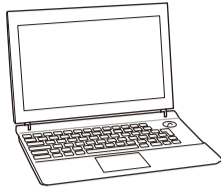
B. Set the Station ID

Press [All Settings] > [Initial Setup] > [Station ID], and then set your fax or telephone number and your name.



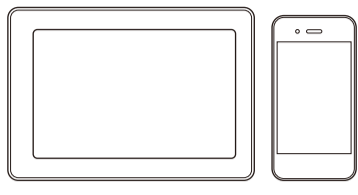
7 Select a device to connect to your machine

Computer



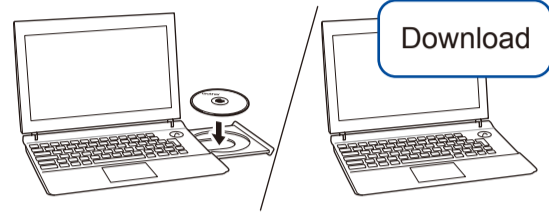
Go to **8** and follow the instructions.

Mobile Device



Go to **9** and follow the instructions.

8 Connect your computer



Put the installation disc into your CD/DVD drive, or download the Full Driver & Software Package at:

For Windows®: solutions.brother.com/windows
For Macintosh: solutions.brother.com/mac

If you are using a recently released operating system on your computer, visit the above websites for updated driver and software information.

Brother regularly updates firmware to add features and apply bug fixes. To check for the latest firmware, visit solutions.brother.com/up3.

▶ Follow the on-screen instructions and prompts.

▶ Finished

For Windows®:
If the Brother screen does not appear automatically, go to **Computer (This PC)**. Double-click the CD/DVD-ROM icon, and then double-click **start.exe**.

For Macintosh:
For full driver functionality, we recommend choosing the **CUPS driver** when adding a printer.

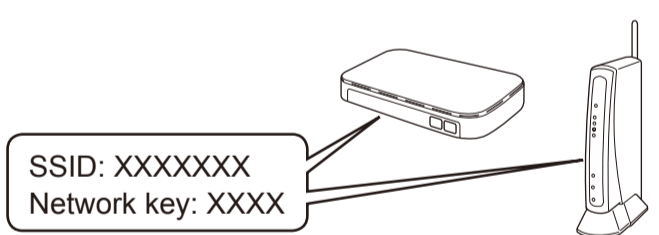
Can't Connect? Check the following:



9 Alternative wireless setup

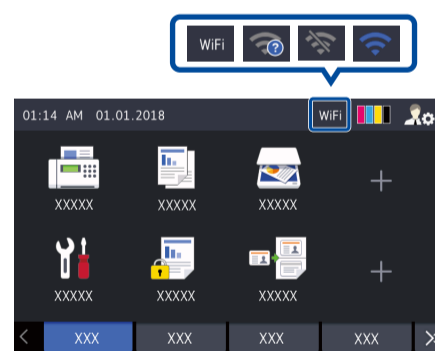
Find your SSID (Network Name) and Network Key (Password) on your wireless access point/router and write them in the table provided below.

SSID (Network Name)	
Network Key (Password)	



If you cannot find this information, ask your network administrator or wireless access point/router manufacturer.

Press **WiFi** > [Setup Wizard] > [Yes].



Even if you do not have a wireless access point/router, you can connect your device and your machine directly. For additional wireless network support, go to solutions.brother.com/wireless-support.

Select the SSID (Network Name) for your access point/router and enter the Network Key (Password).

When the wireless setup is successful, the Touchscreen displays [Connected].

If setup is not successful, restart your Brother machine and your wireless access point/router, and repeat **9**.

For Computer

Go to **8** to install software.

For Mobile Device

Go to **10** to install apps.

10 Print or scan using your mobile device

Your mobile device must be connected to the same wireless network as your Brother machine.



AirPrint is available for Apple device users. You do not need to download any software to use AirPrint. For more information, see the *Online User's Guide*.



Download and install our free application **Brother iPrint&Scan** from a mobile application store, such as the App Store, Google Play™ or Microsoft® Store using your mobile device.

Brother SupportCenter is a mobile app that provides the latest support information for your Brother product. Visit the App Store or Google Play™ to download.



Optional apps

You can print from and scan to your mobile device using various apps. (USA only) For more information on apps, visit www.brother-usa.com/connect. For instructions, see the *Online User's Guide*.



Additional Wireless Support: solutions.brother.com/wireless-support

For FAQs, Troubleshooting, and to download software and manuals, visit support.brother.com.

© 2017 Brother Industries, Ltd. All rights reserved.