



P-touch

PARTS REFERENCE LIST

MODEL: PT-90

MECHANISMS & ELECTRONICS

NOTES FOR USING THIS PARTS REFERENCE LIST

1. When ordering parts, inform us of the following items:

- (1) Code
- (2) Q'ty
- (3) Description
- (4) Symbol (PCB No., Revision, and Parts location mounted on the PCB.)

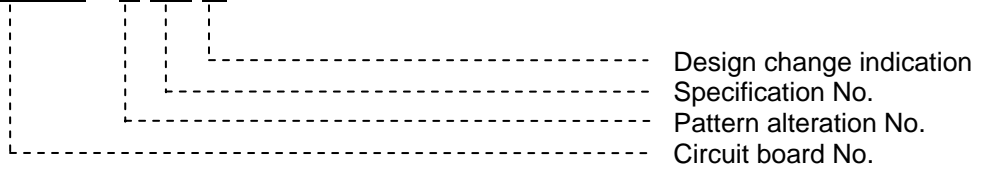
Note : Orders without Parts Code or Tool No. cannot be accepted.

[Example]

REF. NO.	SYMBOL	CODE	Q'TY	DESCRIPTION	REMARKS
					R

Revision No. : marked on the printed circuit board.

B55L180 - 1 01 A



2. Design-changed parts:

When the parts are design-changed, any one of the following symbols is indicated in the REMARKS column.

- CHNG#A : compatible between old and new
- CHNG#B : replaceable from old to new
- CHNG#D : incompatible
- ADD : newly added

- 3. Parts marked with an "R" in the REMARKS column are recommended spare parts.
- 4. The original of this list was made based on the information as of July, 2009.
- 5. Parts are subject to change in design without prior notice.

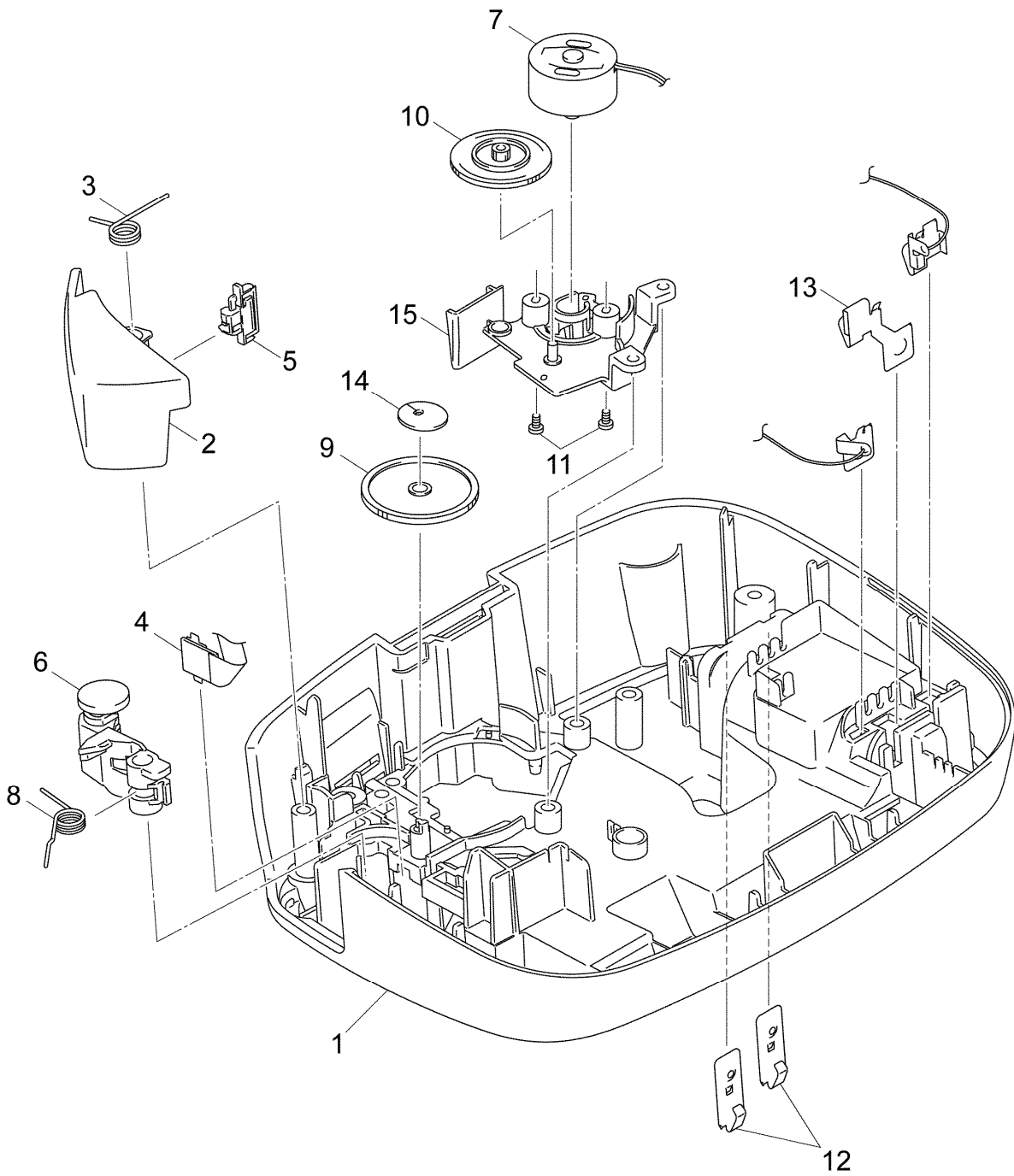
COUNTRIES

U.S.A ---- USA	France ---- FRA	Australia ---- AUS
Germany ---- DEU	Switzerland ---- CHE	Spain ---- ESP
Canada ---- CAN	Denmark ---- DNK	
United Kingdom ---- GBR	Austria ---- AUT	

CONTENTS

1 . PRINT MECHANISM	1
2 . COVERS	3
3 . MAIN PCB	5
4 . RUBBER KEY	7
5 . POWER SUPPLY PCB	7
6 . ACCESSORY	9
7 . PRINTED MATTER	9
8 . PACKING MATERIALS	11

1 . PRINT MECHANISM



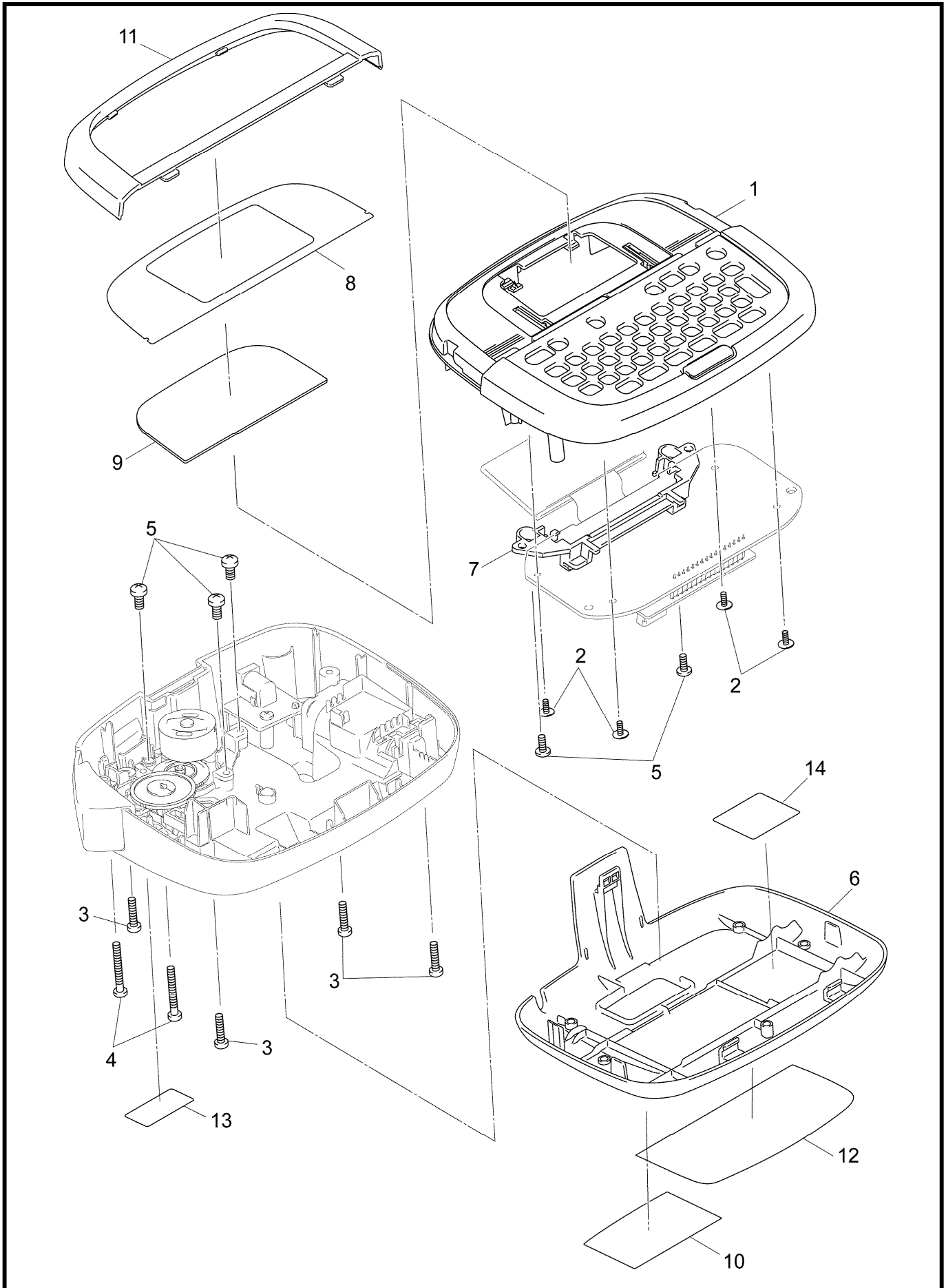
MODEL PT-90 8V2-U24-045

1 . PRINT MECHANISM

REF.NO.	CODE	Q'TY	DESCRIPTION	REMARKS
1	LW3900001	1	BOTTOM COVER PT-90 US (USA/CAN/AUS)	
1	LW3942001	1	BOTTOM COVER PT-90 EU (EXCEPT FOR USA/CAN/AUS)	
2	LW3902001	1	CUTTER LEVER PT-90	
3	LN9304001	1	CUTTER RELEASE SPRING 70	
4	LA9601001	1	HEAD ASSY KF 2000-11	
5	LN0739001	1	CUTTER ASSY (SP)	
6	LA9423001	1	ROLLER HOLDER ASSY	
7	LA9604001	1	DC MOTOR ASSY	
8	LA9428001	1	ROLLER HOLDER RELEASE SPRING	
9	LA9429000	1	DOUBLE GEAR 1	
10	LA9430000	1	DOUBLE GEAR 2	
11	UN3640001	2	SCREW PAN 1.7X2.5	
12	LA3867000	2	BATTERY TERMINAL A (+ -)	
13	LN8011000	1	BATTERY TERMINAL PT80(+ -)	
14	LW3817001	1	WASHER 1090	
15	LW3901001	1	MOTOR HOLDER 90	

MODEL PT90 8V2-U24-045

2 . COVERS



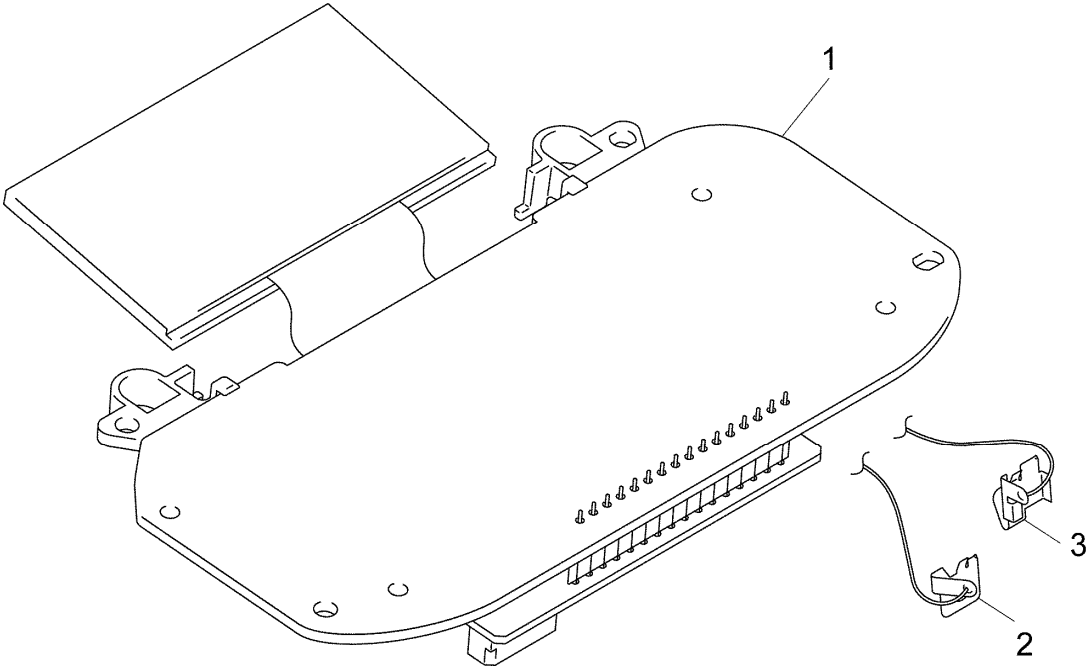
MODEL PT-90 8V2-U24-061

2 . COVERS

REF.NO.	CODE	Q'TY	DESCRIPTION	REMARKS
1	LW3903001	1	BODY COVER PT-90 US (USA/AUS)	
1	LW3904001	1	BODY COVER PT-90 EU (EXCEPT FOR USA/AUS)	
2	LN8308001	4	PSTITE M2X4 CH	
3	085271017	4	TAPTITE BIND B M2.6X10	
4	085272017	2	TAPTITE BIND B M2.6X20	
5	085270616	5	TAPTITE BIND B M2.6X6	
6	LW3905001	1	CASSETTE COVER PT-90	
7	LW3907001	1	PCB HOLDER PT-90	
8	LW3908001	1	FACE PLATE PT-90 A (USA/CAN/AUS)	
8	LW3944001	1	FACE PLATE PT-90 C (EXCEPT FOR USA/CAN/AUS)	
9	LW3909001	1	LCD PANEL 90	
10	LW3910001	1	TAPE PANEL 90	
11	LW3906001	1	OVER COVER PT-90	
12	LW3955001	1	DECO STICKER 90 US (USA/AUS)	
12	LW3993001	1	DECO STICKER 90 EU (EXCEPT FOR USA/AUS)	
13	LW1005001	1	CAUTION LABEL PT-80 (USA)	
14	LW3670001	1	FCC LABEL S (USA)	
14	LW4062001	1	FCC LABEL S CAN (CAN)	

MODEL PT-90 8V2-U24-061

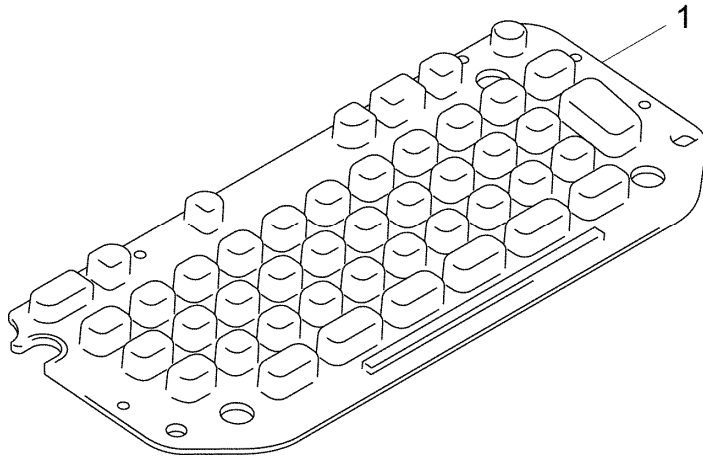
3 . MAIN PCB



3 . MAIN PCB

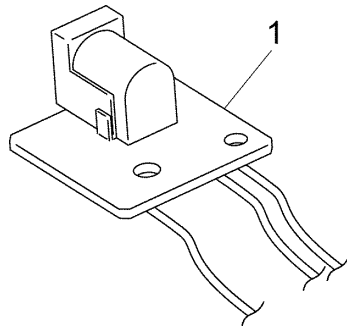
REF.NO.	SYMBOL	CODE	Q'TY	DESCRIPTION	REMARKS
1	B55L281-111A	LW3972001	1	MAIN PCB ASSY 90 (USA)	
1	B55L281-112A	LW3972005	1	MAIN PCB ASSY 90 (CAN/AUS)	
1	B55L281-124B	LW3972004	1	MAIN PCB ASSY 90 (DEU)	
1	B55L281-122B	LW3972002	1	MAIN PCB ASSY 90 (GBR/CHE/DNK/AUT/ESP)	
1	B55L281-123B	LW3972003	1	MAIN PCB ASSY 90 (FRA)	
2		LN8049001	1	BATTERY HARNESS 80P	
3		LN8050001	1	BATTERY HARNESS 80M	

4 . RUBBER KEY



MODEL PT-90 8V2-U24-003

5 . POWER SUPPLY PCB



MODEL PT-90 8V2-U24-102

4 . RUBBER KEY

REF.NO.	CODE	Q'TY	DESCRIPTION	REMARKS
1	LW3896001	1	RUBBER 45 KEY PT-90 US (USA/AUS)	
1	LW3897001	1	RUBBER 45 KEY PT-90 DEU (DEU/AUT)	
1	LW3898001	1	RUBBER 45 KEY PT-90 GBR (CAN/GBR/CHE/DNK/ESP)	
1	LW3899001	1	RUBBER 45 KEY PT-90 FRA (FRA)	

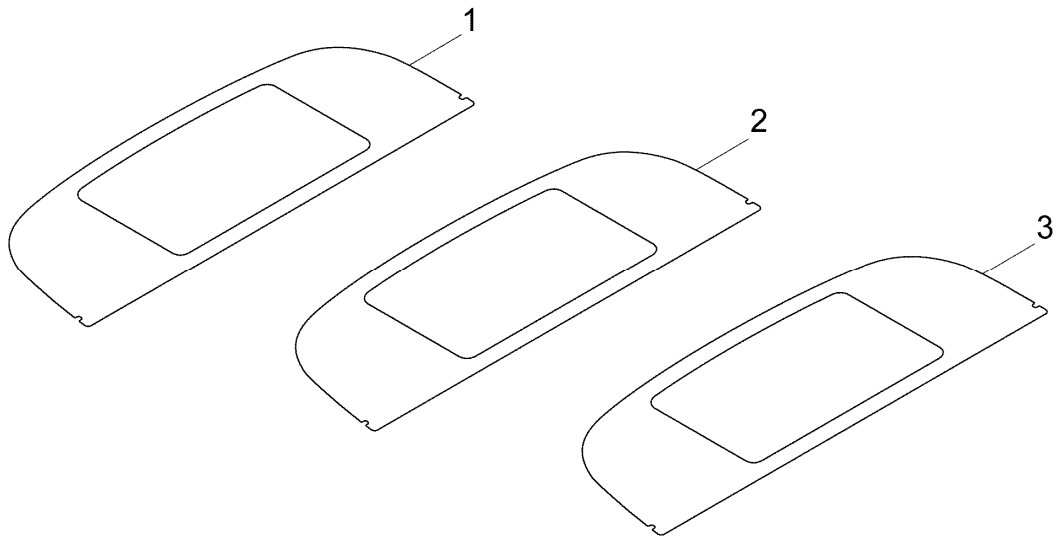
MODEL PT-90 8V2-U24-003

5 . POWER SUPPLY PCB

REF.NO.	SYMBOL	CODE	Q'TY	DESCRIPTION	REMARKS
1	B55L214-1	LN8063001	1	JACK PCB ASSY PT-80 (EXCEPT FOR USA/CAN/AUS)	

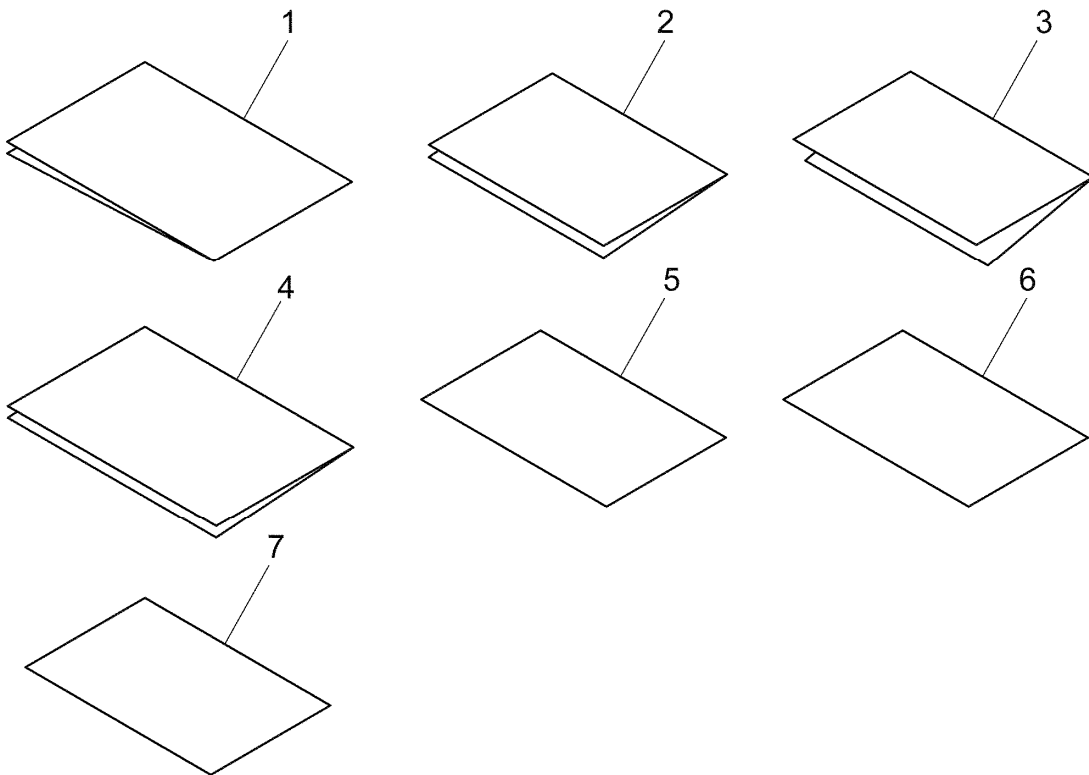
MODEL PT-90 8V2-U24-102

6 . ACCESSORY



MODEL PT-90 8V2-U24-910

7 . PRINTED MATTER



MODEL PT-90 8V2-U24-920

6 . ACCESSORY

REF.NO.	CODE	Q'TY	DESCRIPTION	REMARKS
1	LW3943001	1	FACE PLATE PT-90 B	
2	LW3944001	1	FACE PLATE PT-90 C (USA/CAN/AUS)	
3	LW3908001	1	FACE PLATE PT-90 A (EXCEPT FOR USA/CAN/AUS)	

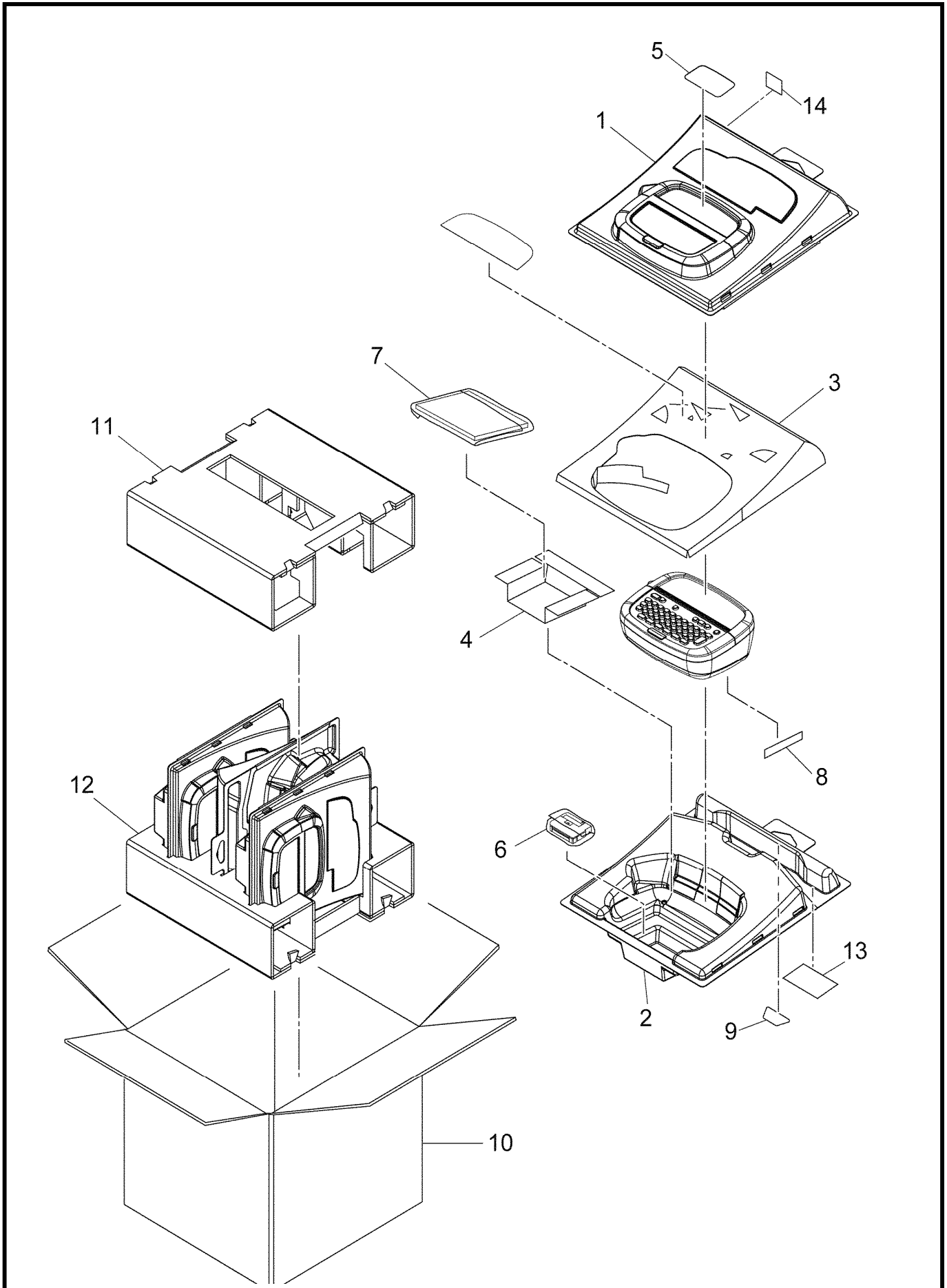
MODEL PT-90 8V2-U24-910

7 . PRINTED MATTER

REF.NO.	SYMBOL	CODE	Q'TY	DESCRIPTION	REMARKS
1		LW4039001	1	USER'S MANUAL PT90 US ENG/SPA (USA)	
1		LW4304001	1	USER'S MANUAL PT90 DEU (DEU/AUT)	
1		LW4138001	1	USER'S MANUAL PT90 GBR/ENG (GBR)	
1		LW4309001	1	USER'S MANUAL PT90 FAR/DUTCH (FRA)	
1		LW4310001	1	USER'S MANUAL PT90 CHE.FAR/DUT (CHE)	
1		LW4314001	1	USER'S MANUAL PT90 ITA/CHE.DEU (CHE)	
1		LW4312001	1	USER'S MANUAL PT90 DNK/SWE (DNK)	
1		LW4313001	1	USER'S MANUAL PT90 NOR (DNK)	
1		LW4311001	1	USER'S MANUAL PT90 SPA/POR (ESP)	
1		LW4544001	1	USER'S MANUAL PT90 CAN ENG/FRA (CAN)	
1		LW4545001	1	USER'S MANUAL PT90 AUS.ENG (AUS)	
2		LN9325001	1	WARRANTY CARD USA CH (USA)	
2		LA1661001	1	WARRANTY CARD EURO CH (GBR/FRA/CHE/DNK/ESP)	
2		LM4756001	1	WARRANTY CARD IRE (GBR)	
2		LW2661001	1	WARRANTY CARD FRA (FRA)	
2		LJ5400001	1	WARRANTY CARD SPA (ESP)	
2		LM2652001	1	WARRANTY CARD POR (ESP)	
2		LW3356001	1	1YEAR WARRANTY CARD (CAN)	
3		LN6297001	1	REGISTER INSERTION US CH (USA)	
4		LN7686001	1	ACCESSORY ORDER FORM USA (USA)	
5		LW4434001	1	UNPACKING INSTRUCTION PT-90	
6		LN7251001	1	EEE INSERTION CH (EXCEPT FOR USA/CAN/AUS)	
7		LW4027001	1	BATTERY INSERTION CHE (CHE)	

MODEL PT-90 8V2-U24-920

8 . PACKING MATERIALS



MODEL PT-90 8V2-U24-930

8 . PACKING MATERIALS

REF.NO.	SYMBOL	CODE	Q'TY	DESCRIPTION	REMARKS
1		LW3949000	1	UPPER PACK SHELL PT-90	
2		LW3951000	1	LOWER PACK SHELL PT-90	
3		LW3950001	1	COMMERCIAL SHEET PT-90 USA (USA)	
3		LW4698001	1	COMMERCIAL SHEET PT-90 CAN (CAN)	
3		LW3530001	1	COMMERCIAL SHEET PT-90 AUS (AUS)	
3		LW3995001	1	COMMERCIAL SHEET PT-90 EU (EXCEPT FOR USA/CAN/AUS)	
4		LW3994001	1	APPLICATION CARD PT-90 US (USA)	
4		LW4699001	1	APPLICATION CARD PT-90 CAN (CAN)	
4		LW3531001	1	APPLICATION CARD PT-90 AUS (AUS)	
4		LW3996001	1	APPLICATION CARD PT-90 EU (EXCEPT FOR USACAN/AUS)	
5		LW3946001	1	LCD MYLAR LABEL PT-90 US (USA/AUS)	
5		LW3992001	1	LCD MYLAR LABEL PT-90 EU (EXCEPT FOR USA/AUS)	
6		LA5898001	1	BAG 90X175	
7		LA7456001	1	PE BAG 130X250	
8		LA9999001	1	PLATEN PROTECT PAD	
9		LN9558001	1	EASY OPEN LABEL PT-80 (USA/AUS)	
10		LW3956001	1	CARTON (X3) PT-90	
11		LW3952000	1	PAD A PT-90	
12		LW3953000	1	PAD B PT-90	
13		LN6939001	1	AUSTRIA LABEL SMALL (AUT)	
14		LW3751001	1	3YR GUARANTEE MYLAR LABEL GER (GER)	
		UN8891001	1	C-TICK MARK (AUS)	

MODEL PT-90 8V2-U24-930

brother®

Jul., 2009
PL-PT023
8V2U24
Printed in Japan
Ver. B-1