

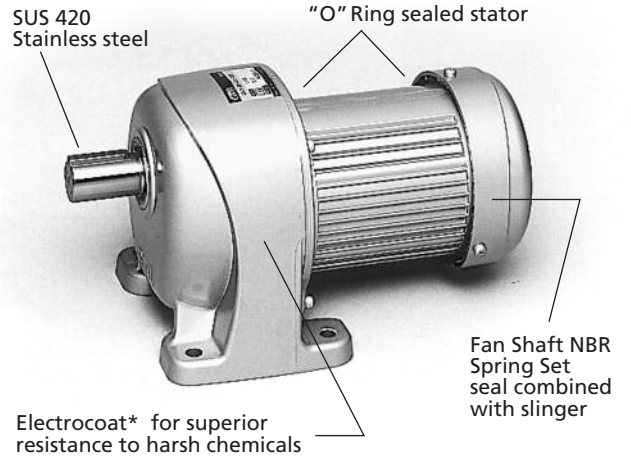
IP-65

Brother IP-65 washdown gearmotors offer superior resistance to water ingress and superior resistance to harsh chemicals used in food processing plants.

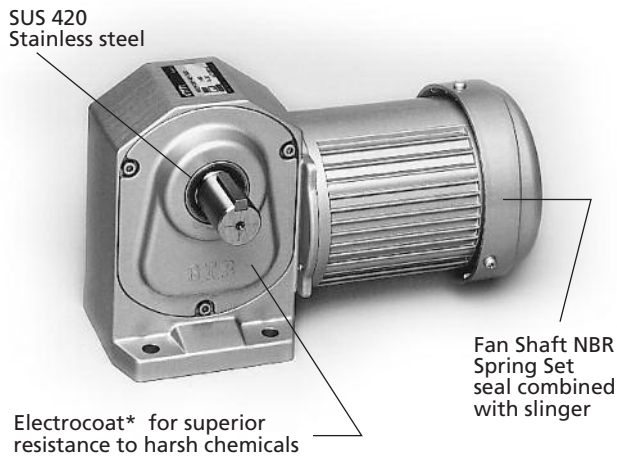
- Designed to keep water out, they outlast the competition!
- Protected against pressure jets of water
- Totally protected against dust
- Terminal Boxes are specially designed, sealed and gasketed. Complete with stainless steel IP-65 cord grip.

When placing an order be sure to specify a "WM" or "WB" type motor.

Helical In-Line



HRH Right-Angle



HRH Right-Angle Shaft Mount

