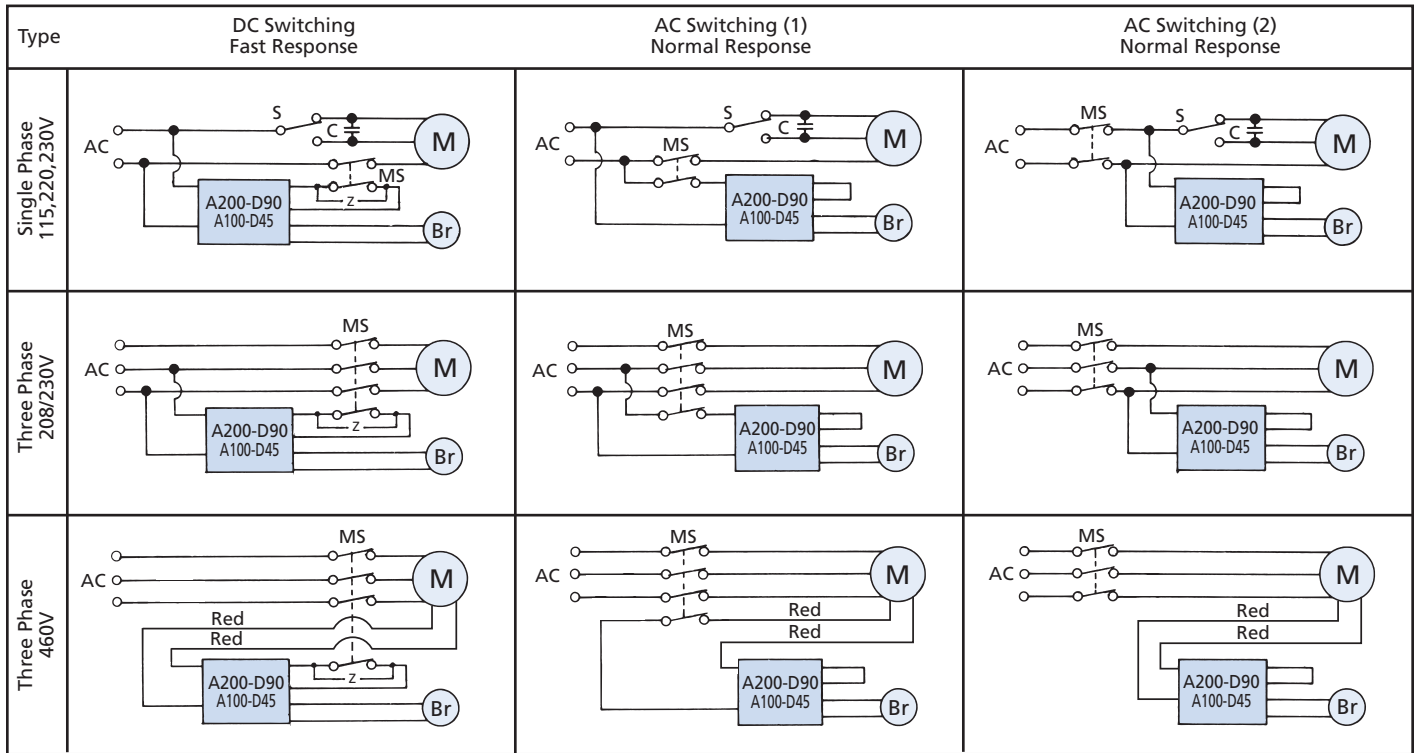


Fig 1.9: Brake Wiring without Inverter (VFD)



M: Motor Br: Brake S: Reversing switch C: Capacitor MS: Magnetic switch Z: R-C circuit (OP-CRM-2)  
For Wiring a brake equipped gearmotor with an Inverter (VFD), please see page 15.

Fig 1.10: Rectifier Dimensions

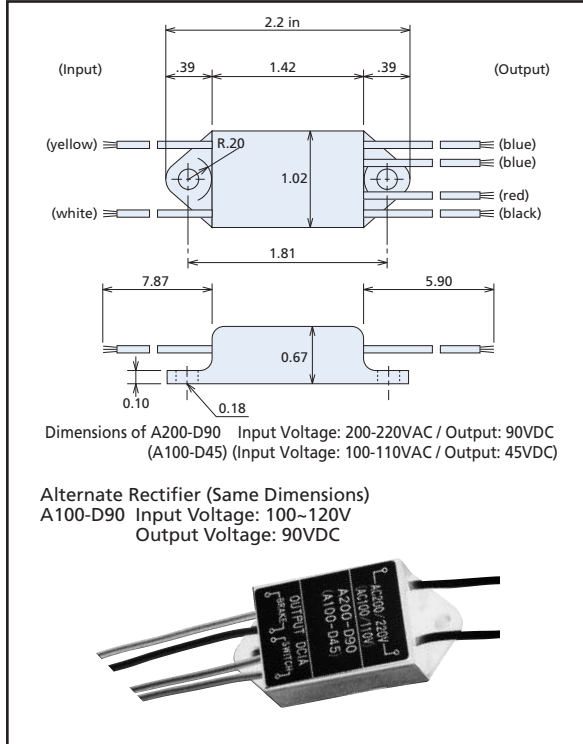
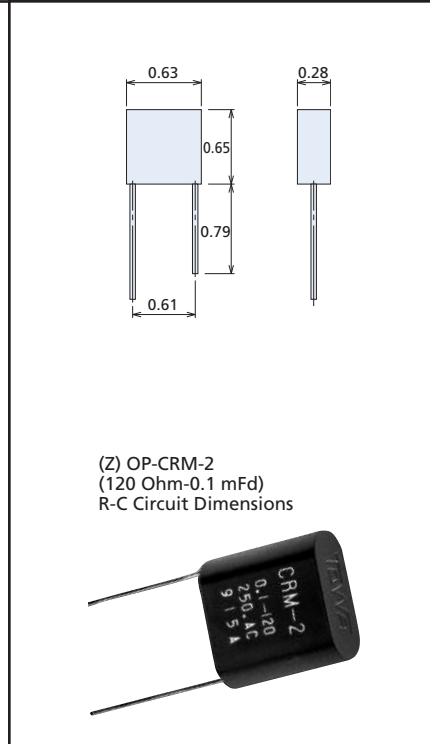


Fig 1.11: Snubber Dimensions (OP-CRM-2)



Note:

1. The rectifier is shipped with the brakemotor as an accessory. It must be mounted remotely in a panel or box. It may not fit in the terminal box supplied on the gearmotor.
2. The OP-CRM-2 is an optional part. Please order it separately if it is required.