

Spec Table 2.1

Specifications						Dimensional Drawings Page 31						
Hp	Frame	Ratio X:1 GR	Nominal RPM n	Torque (in-lbs) TR	O.H.L. (lbs) OHL	1 Phase Std	Motor 3 Phase Std	3 Phase IP-65	1 Phase Std	Brakemotor 3 Phase Std	3 Phase IP-65	
1/8 Hp	22	5	360	21	132	Dwg 2.1	Dwg 2.1	Dwg 2.1	Dwg 1.9	Dwg 1.9	Dwg 1.9	
		10	170	42	209							
		15	120	63	232							
		20	90	85	265							
		25	72	106	287							
		30	60	127	309							
		40	45	169	353							
		50	36	211	386							
		60	30	254	397							
		80	22.5	328	397							
		100	18	410	397							
		120	15	491	397							
	160	11.2	655	397								
	200	9	819	397								
	240	7.5	983	397								
	28	28	300	6	1069	639	Dwg 2.2	Dwg 2.2	Dwg 2.2	Dwg 2.2	Dwg 2.2	Dwg 2.2
			375	4.8	1336	639						
			450	4	1603	639						
32	32	600	3	2113	926	Dwg 2.2	Dwg 2.2	Dwg 2.2	Dwg 2.2	Dwg 2.2	Dwg 2.2	
		750	2.4	2642	926							
		900	2	3170	926							
		1200	1.5	3819	926							
		1500	1.2	3818	926							

Notes:

1. Motor and brakemotor electrical data shown on Page 10 Table 1.1 (3 Phase) and Page 11 Table 1.2 (1 Phase).
2. Brake electrical data shown on Pages 12~14.
3. Brother 3 Phase gearmotors are suitable for use with a VFD. See Page 17 for details.
4. See Page 15 for terminal box type or lead wire dimensional details.

Model Number for Ordering

H2	L	22	R	010	-	B	M	H	4	A	X
Type	Mount Form	Frame	Shaft/Bore Arrangement	Gear Ratio		UL/CSA	Motor Type	Motor Power	Supply Voltage	Terminal Box/Leads	Special Spec
H2: H2 Series	L: Foot Mount	22 28 32	R: Right Shaft L: Left Shaft T: Double Shaft Ref: Fig 2.1	005 : 5:1 030 : 30:1 120 : 120:1 900 : 900:1 12X : 1200:1		B: UL/CSA	M: IP-44 Motor B: IP-44 Brakemotor J: IP-44 Brakemotor w/ manual release WM: IP-65 Motor WB: IP-65 Brakemotor	H: 1/8 Hp	1: 115V, 60Hz, 1ph 4: 208/230V/460, 60Hz, 3ph 5: 220V, 60Hz, 1ph 6: 230V, 60Hz, 1ph 7: OEM Spec. 1ph 8: OEM Spec. 3ph Special Voltages Fig 1.3, Pg 10 Fig 1.4. Pg 10	A: Die Cast IP-44 N: Leads, (4.5 inch) E: Die Cast IP-65	Blank: Standard Type X: Special Spec See Special Specs Below

CAD Drawings

Go to www.BrotherGearmotors.com and enter the desired model number in the configurator. DXF, 3D, and PDF files are available to view or download.

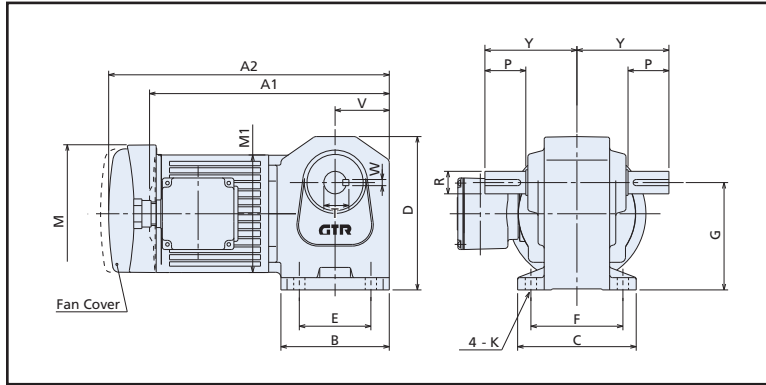
Special Specs

Notes:

1. Lead Wire or Terminal Box location: specify the code from Page 16, Fig 1.24A on your purchase order.
2. Special Voltage: specify the Voltage/Frequency from Page 10, Fig 1.3 (3 Phase) or Fig 1.4 (1 Phase) on your purchase order.
3. For any other special OEM requirement, please consult Brother.

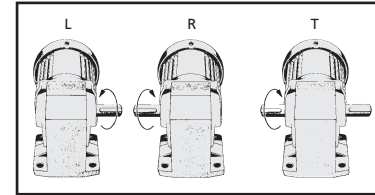
Frame	Motor/ Brake-motor	Dwg	A1 (Motor)	A2 (Brake)	M1 (TENV) (Motor)	M (TEFC) (Brake)	B	C	D	E	F	G	K	V	Y	R	W	P	Motor Wt	Brake-motor Wt
22	3 Phase Std	2.1	9.23	10.81	4.53	5.31	4.17	4.57	5.91	2.76	3.54	4.13	0.43	2.09	3.54	0.8750	0.1875	1.57	14.25	17.5
	3 Phase IP-65	2.1	9.23	11.26	4.53	5.31	4.17	4.57	5.91	2.76	3.54	4.13	0.43	2.09	3.54	0.8750	0.1875	1.57	14.25	17.5
	1 Phase Std	2.1	10.46	10.81	n/a	5.31	4.17	4.57	5.91	2.76	3.54	4.13	0.43	2.09	3.54	0.8750	0.1875	1.57	14.25	17.5

Dwg. 2.1



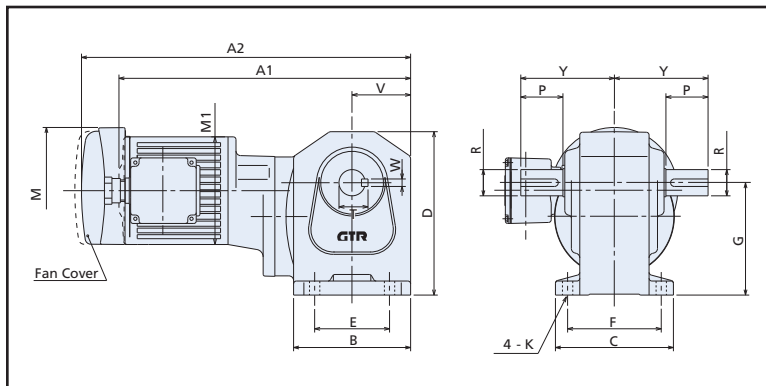
Note: Terminal box or lead wire dim see Page 15.

Fig. 2.1



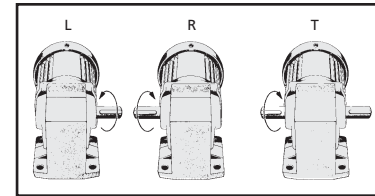
Frame	Motor/ Brake-motor	Dwg	A1 (Motor)	A2 (Brake)	M1 (TENV) (Motor)	M (TEFC) (Brake)	B	C	D	E	F	G	K	V	Y	R	W	P	Motor Wt	Brake-motor Wt
28	3 Phase Std	2.2	12.26	13.49	4.53	5.31	4.92	4.96	6.87	3.15	3.94	4.72	0.43	2.46	3.94	1.1250	0.2500	1.77	22	25.25
32			13.01	14.24	4.53	5.31	5.98	5.91	8.07	3.74	4.72	5.51	0.51	2.99	4.72	1.2500	0.2500	2.17	29	32
28	3 Phase IP-65	2.2	12.26	14.29	4.53	5.31	4.92	4.96	6.87	3.15	3.94	4.72	0.43	2.46	3.94	1.1250	0.2500	1.77	22	25.25
32			13.01	15.04	4.53	5.31	5.98	5.91	8.07	3.74	4.72	5.51	0.51	2.99	4.72	1.2500	0.2500	2.17	29	32
28	1 Phase Std	2.2	13.49	13.84	n/a	5.31	4.92	4.96	6.87	3.15	3.94	4.72	0.43	2.46	3.94	1.1250	0.2500	1.77	22	25.25
32			14.24	14.59	n/a	5.31	5.98	5.91	8.07	3.74	4.72	5.51	0.51	2.99	4.72	1.2500	0.2500	2.17	29	32

Dwg. 2.2



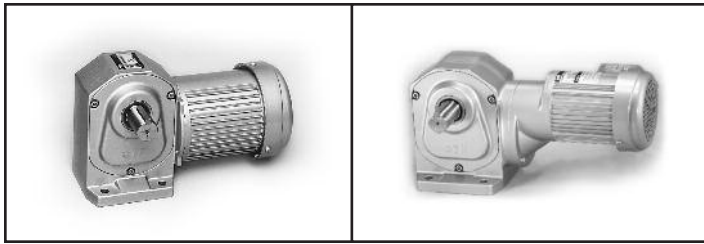
Note: Terminal box or lead wire dim see Page 15.

Fig. 2.1



Notes/Disclaimer:

1. Every effort is made to assure the accuracy of the drawings. However, certified prints should be requested for critical applications.
2. The drawings on this page are for rough sizing only and may not be visually accurate in all aspects. Please download the actual specification drawing from the www or call your Brother salesman or dealer to get a certified print.
3. Prints are available online using the Brother configurator by entering the complete part number. See www.BrotherGearmotors.com



Spec Table 2.2

Specifications						Dimensional Drawings Page 33					
Hp	Frame	Ratio X:1 GR	Nominal RPM n	Torque (in-lbs) TR	O.H.L. (lbs) OHL	1 Phase Std	Motor 3 Phase Std	3 Phase IP-65	1 Phase Std	Brakemotor 3 Phase Std	3 Phase IP-65
1/4 Hp	22	5	360	42	132	Dwg 2.3	Dwg 2.3	Dwg 2.3	Dwg 2.3	Dwg 2.3	Dwg 2.3
		10	180	85	209						
		15	120	127	231						
		20	90	169	264						
		25	72	211	286						
		30	60	254	308						
		40	45	338	352						
		50	36	423	385						
	28	60	30	507	407	Dwg 2.3	Dwg 2.3	Dwg 2.3	Dwg 2.3	Dwg 2.3	Dwg 2.3
		80	22.5	654	550						
		100	18	817	594						
		120	15	981	616						
		160	11.2	1308	638						
		200	9	1634	638						
	32	240	7.5	1961	638	Dwg 2.4	Dwg 2.4	Dwg 2.4	Dwg 2.4	Dwg 2.4	Dwg 2.4
		300	6	2170	860						
		375	4.8	2712	926						
	40	450	4	3255	926	Dwg 2.4	Dwg 2.4	Dwg 2.4	Dwg 2.4	Dwg 2.4	Dwg 2.4
		600	3	4339	1521						
		750	2.4	5424	1521						
900		2	6509	1521							
		1200	1.5	6770	1521						

Notes:

1. Motor and brakemotor electrical data shown on Page 10 Table 1.1 (3 Phase) and Page 11 Table 1.2 (1 Phase).
2. Brake electrical data shown on Pages 12~14.
3. Brother 3 Phase gearmotors are suitable for use with a VFD. See Page 17 for details.
4. See Page 15 for terminal box type or lead wire dimensional details.

Model Number for Ordering

H2	L	22	R	012	-	B	M	K	4	A	X
Type	Mount Form	Frame	Shaft/Bore Arrangement	Gear Ratio		UL/CSA	Motor Type	Motor Power	Supply Voltage	Terminal Box/Leads	Special Spec
H2: H2 Series	L: Foot Mount	22 28 32 40	R: Right Shaft L: Left Shaft T: Double Shaft Ref: Fig 2.1	005 : 5:1 030 : 30:1 120 : 120:1 900 : 900:1 12X : 1200:1		B: UL/CSA	M: IP-44 Motor B: IP-44 Brakemotor J: IP-44 Brakemotor w/ manual release WM: IP-65 Motor WB: IP-65 Brakemotor	K: 1/4 Hp	1: 115V, 60Hz, 1ph 4: 208/230V/460, 60Hz, 3ph 5: 220V, 60Hz, 1ph 6: 230V, 60Hz, 1ph 7: OEM Spec. 1ph 8: OEM Spec. 3ph Special Voltages Fig 1.3, Pg 10 Fig 1.4. Pg 10	A: Die Cast IP-44 N: Leads, (4.5 inch) E: Die Cast IP-65	Blank: Standard Type X: Special Spec See Special Specs Below

CAD Drawings

Go to www.BrotherGearmotors.com and enter the desired model number in the configurator. DXF, 3D, and PDF files are available to view or download.

Special Specs

Notes:

1. Lead Wire or Terminal Box location: specify the code from Page 16, Fig 1.24A on your purchase order.
2. Special Voltage: specify the Voltage/Frequency from Page 10, Fig 1.3 (3 Phase) or Fig 1.4 (1 Phase) on your purchase order.
3. For any other special OEM requirement, please consult Brother.

Frame	Motor/ Brake- motor	Dwg	A1 (Motor)	A2 (Brake)	M	B	C	D	E	F	G	K	V	Y	R	W	P	Motor Wt	Brake- motor Wt
22	3 Phase Std	2.3	11.04	11.71	5.31	4.17	4.57	5.91	2.76	3.54	4.13	0.43	2.09	3.54	0.8750	0.1875	1.57	16.5	20
28			11.54	12.20	5.31	4.92	4.96	6.87	3.15	3.94	4.72	0.43	2.46	3.94	1.1250	0.2500	1.77	21	24.25
22	3 Phase IP-65	2.3	11.04	12.99	5.31	4.17	4.57	5.91	2.76	3.54	4.13	0.43	2.09	3.54	0.8750	0.1875	1.57	16.5	20
28			11.54	13.48	5.31	4.92	4.96	6.87	3.15	3.94	4.72	0.43	2.46	3.94	1.1250	0.2500	1.77	21	24.25
22	1 Phase Std (Note)	2.3	13.01	13.68	5.31	4.17	4.57	5.91	2.76	3.54	4.13	0.43	2.09	3.54	0.8750	0.1875	1.57	21	24.25
28			13.50	14.17	5.31	4.92	4.96	6.87	3.15	3.94	4.72	0.43	2.46	3.94	1.1250	0.2500	1.77	25.5	28.75

Dwg. 2.3

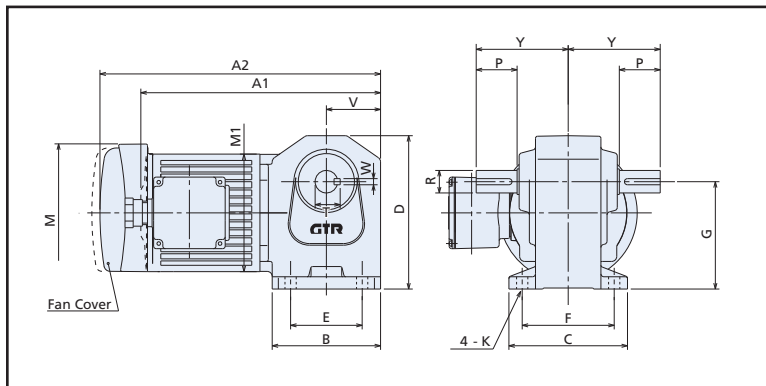
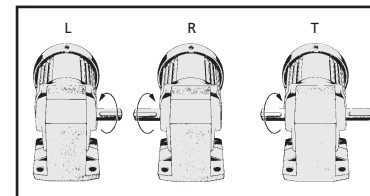


Fig. 2.1



Note: Terminal box or lead wire dim see Page 15.

Note: 1 Phase Std motors have a capacitor mounted, see Page 11, Fig. 1.9.

Frame	Motor/ Brake- motor	Dwg	A1 (Motor)	A2 (Brake)	M	B	C	D	E	F	G	K	V	Y	R	W	P	Motor Wt	Brake- motor Wt
32	3 Phase Std	2.4	15.57	16.24	5.31	5.98	5.91	8.07	3.74	4.72	5.51	0.51	2.99	4.72	1.2500	0.2500	2.17	30	33
40			16.30	16.97	5.31	7.09	7.09	9.55	4.72	5.51	6.5	0.59	3.54	5.51	1.6250	0.3750	2.56	48.5	52
32	3 Phase IP-65	2.4	15.57	17.52	5.31	5.98	5.91	8.07	3.74	4.72	5.51	0.51	2.99	4.72	1.2500	0.2500	2.17	30	33
40			16.30	18.25	5.31	7.09	7.09	9.55	4.72	5.51	6.5	0.59	3.54	5.51	1.6250	0.3750	2.56	48.5	52
32	1 Phase Std (Note)	2.4	17.54	18.21	5.31	5.98	5.91	8.07	3.74	4.72	5.51	0.51	2.99	4.72	1.2500	0.2500	2.17	34.25	37.5
40			18.27	18.94	5.31	7.09	7.09	9.55	4.72	5.51	6.5	0.59	3.54	5.51	1.6250	0.3750	2.56	53	56

Dwg. 2.4

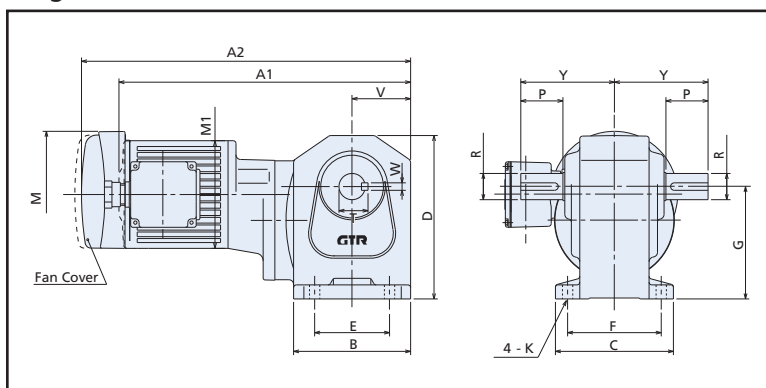
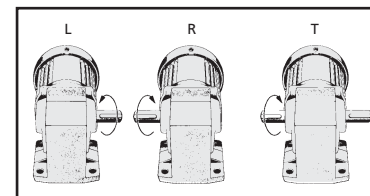


Fig. 2.1

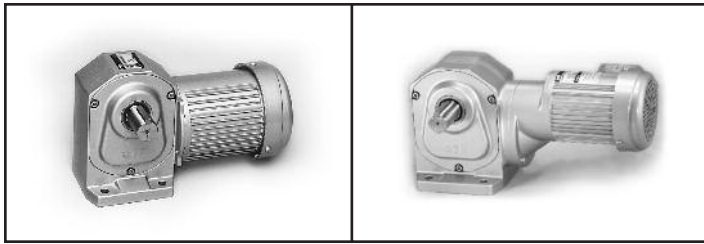


Note: Terminal box or lead wire dim see Page 15.

Note: 1 Phase Std motors have a capacitor mounted, see Page 11, Fig. 1.9.

Notes/Disclaimer:

1. Every effort is made to assure the accuracy of the drawings. However, certified prints should be requested for critical applications.
2. The drawings on this page are for rough sizing only and may not be visually accurate in all aspects. Please download the actual specification drawing from the www or call your Brother salesman or dealer to get a certified print.
3. Prints are available online using the Brother configurator by entering the complete part number. See www.BrotherGearmotors.com



Spec Table 2.3

Specifications						Dimensional Drawings Page 35					
Hp	Frame	Ratio X:1 GR	Nominal RPM n	Torque (in-lbs) TR	O.H.L. (lbs) OHL	1 Phase Std	Motor 3 Phase Std	3 Phase IP-65	1 Phase Std	Brakemotor 3 Phase Std	3 Phase IP-65
1/2 Hp	28	5	360	85	209	Dwg 2.5	Dwg 2.5	Dwg 2.5	Dwg 2.5	Dwg 2.5	Dwg 2.5
		10	180	169	330						
		15	120	254	374						
		20	90	338	418						
		25	72	423	451						
		30	60	507	495						
		40	45	676	550						
		50	36	845	594						
	32	60	30	1014	616	Dwg 2.5	Dwg 2.5	Dwg 2.5	Dwg 2.5	Dwg 2.5	Dwg 2.5
		80	22.5	1308	770						
		100	18	1634	858						
		120	15	1961	924						
		160	11.2	2615	924						
		200	9	3269	924						
	40	240	7.5	3819	924	Dwg 2.6	Dwg 2.6	Dwg 2.6	Dwg 2.6	Dwg 2.6	Dwg 2.6
		300	6	4227	1521						
		375	4.8	5284	1521						
	50	450	4	6341	1521	Dwg 2.6	Dwg 2.6	Dwg 2.6	Dwg 2.6	Dwg 2.6	Dwg 2.6
		600	3	8455	2138						
		750	2.4	10568	2138						
900		2	10850	2138							
		1200	1.5	10850	2138						

Notes:

1. Motor and brakemotor electrical data shown on Page 10 Table 1.1 (3 Phase) and Page 11 Table 1.2 (1 Phase).
2. Brake electrical data shown on Pages 12~14.
3. Brother 3 Phase gearmotors are suitable for use with a VFD. See Page 17 for details.
4. See Page 15 for terminal box type or lead wire dimensional details.

Model Number for Ordering

H2	L	28	R	020	-	B	M	L	4	A	X
Type	Mount Form	Frame	Shaft/Bore Arrangement	Gear Ratio		UL/CSA	Motor Type	Motor Power	Supply Voltage	Terminal Box/Leads	Special Spec
H2: H2 Series	L: Foot Mount	28 32 40 50	R: Right Shaft L: Left Shaft T: Double Shaft Ref: Fig 2.1	005 : 5:1 030 : 30:1 120 : 120:1 900 : 900:1 12X : 1200:1		B: UL/CSA	M: IP-44 Motor B: IP-44 Brakemotor J: IP-44 Brakemotor w/ manual release WM: IP-65 Motor WB: IP-65 Brakemotor	L: 1/2 Hp	1: 115V, 60Hz, 1ph 4: 208/230V/460, 60Hz, 3ph 5: 220V, 60Hz, 1ph 6: 230V, 60Hz, 1ph 7: OEM Spec. 1ph 8: OEM Spec. 3ph Special Voltages Fig 1.3, Pg 10 Fig 1.4. Pg 10	A: Die Cast IP-44, (3 Ph only) N: Leads, (4.5 inch) E: Die Cast IP-65 S: Steel, (1 Ph only)	Blank: Standard Type X: Special Spec See Special Specs Below

CAD Drawings

Go to www.BrotherGearmotors.com and enter the desired model number in the configurator. DXF, 3D, and PDF files are available to view or download.

Special Specs

Notes:

1. Lead Wire or Terminal Box location: specify the code from Page 16, Fig 1.24A on your purchase order.
2. Special Voltage: specify the Voltage/Frequency from Page 10, Fig 1.3 (3 Phase) or Fig 1.4 (1 Phase) on your purchase order.
3. For any other special OEM requirement, please consult Brother.

Frame	Motor/ Brake- motor	Dwg	A1 (Motor)	A2 (Brake)	M	B	C	D	E	F	G	K	V	Y	R	W	P	Motor Wt	Brake- motor Wt
28	3 Phase Std	2.5	12.81	13.58	5.55	4.92	4.96	6.87	3.15	3.94	4.72	0.43	2.46	3.94	1.1250	0.2500	1.77	24.25	27.5
32			13.56	14.33	5.55	5.98	5.91	8.07	3.74	4.72	5.51	0.51	2.99	4.72	1.2500	0.2500	2.17	31	34.25
28	3 Phase IP-65	2.5	12.81	15.04	5.55	4.92	4.96	6.87	3.15	3.94	4.72	0.43	2.46	3.94	1.1250	0.2500	1.77	24.25	27.5
32			13.56	15.79	5.55	5.98	5.91	8.07	3.74	4.72	5.51	0.51	2.99	4.72	1.2500	0.2500	2.17	31	27.5
28	1 Phase Std (Note)	2.5	15.85	16.12	6.38	4.92	4.96	6.87	3.15	3.94	4.72	0.43	2.46	3.94	1.1250	0.2500	1.77	36.5	42
32			16.59	16.87	6.38	5.98	5.91	8.07	3.74	4.72	5.51	0.51	2.99	4.72	1.2500	0.2500	2.17	43	48.5

Dwg. 2.5

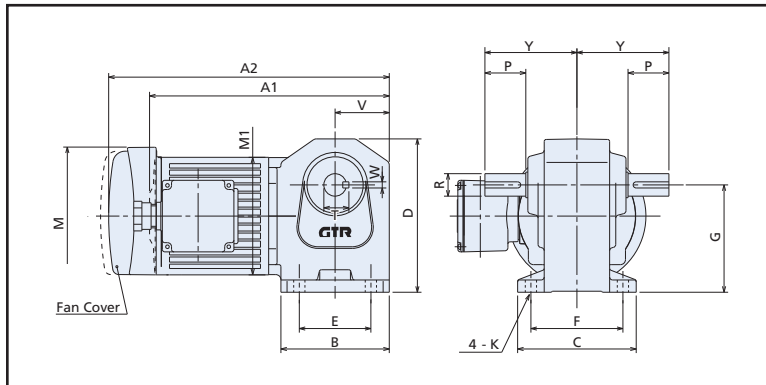
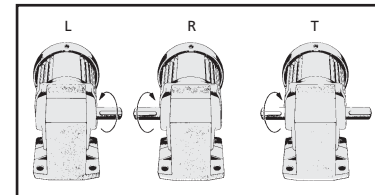


Fig. 2.1



Note: Terminal box or lead wire dim see Page 15.

Note: 1 Phase Std motors have a capacitor mounted, see Page 11, Fig. 1.9.

Frame	Motor/ Brake- motor	Dwg	A1 (Motor)	A2 (Brake)	M	B	C	D	E	F	G	K	V	Y	R	W	P	Motor Wt	Brake- motor Wt
40	3 Phase Std	2.6	17.95	18.72	5.55	7.09	7.09	9.55	4.72	5.51	6.5	0.59	3.54	5.51	1.6250	0.3750	2.56	54	57.25
50			18.70	19.47	5.55	8.27	9.06	12.13	5.91	7.09	7.87	0.71	4.13	6.5	2.0000	0.5000	2.95	120	123.5
40	3 Phase IP-65	2.6	17.95	20.18	5.55	7.09	7.09	9.55	4.72	5.51	6.5	0.59	3.54	5.51	1.6250	0.3750	2.56	54	57.25
50			18.70	20.93	5.55	8.27	9.06	12.13	5.91	7.09	7.87	0.71	4.13	6.5	2.0000	0.5000	2.95	120	123.5
40	1 Phase Std (Note)	2.6	20.98	21.26	6.38	7.09	7.09	9.55	4.72	5.51	6.5	0.59	3.54	5.51	1.6250	0.3750	2.56	66.25	71.75
50			21.73	22.01	6.38	8.27	9.06	12.13	5.91	7.09	7.87	0.71	4.13	6.5	2.0000	0.5000	2.95	132.5	138

Dwg. 2.6

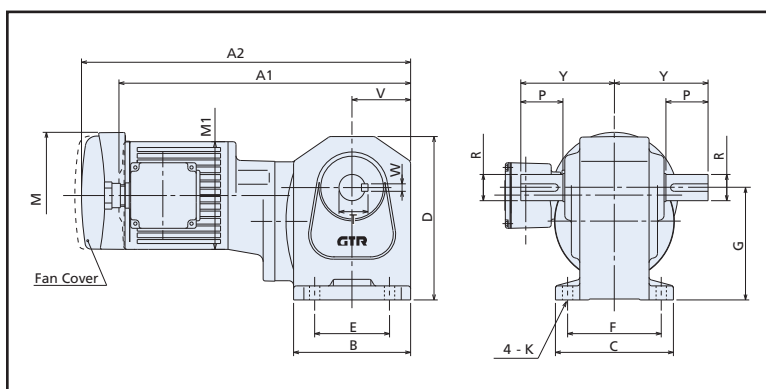
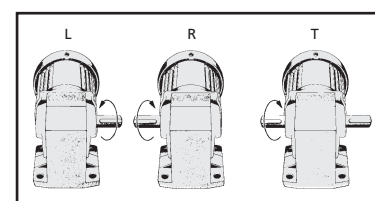


Fig. 2.1

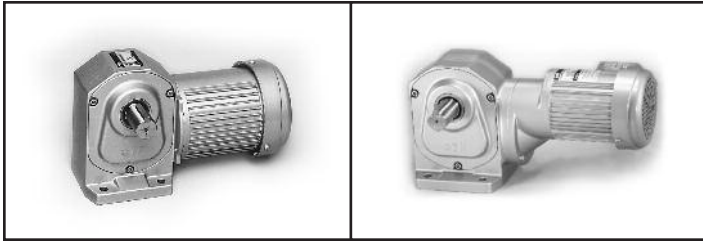


Note: Terminal box or lead wire dim see Page 15.

Note: 1 Phase Std motors have a capacitor mounted, see Page 11, Fig. 1.9.

Notes/Disclaimer:

1. Every effort is made to assure the accuracy of the drawings. However, certified prints should be requested for critical applications.
2. The drawings on this page are for rough sizing only and may not be visually accurate in all aspects. Please download the actual specification drawing from the www or call your Brother salesman or dealer to get a certified print.
3. Prints are available online using the Brother configurator by entering the complete part number. See www.BrotherGearmotors.com



Spec Table 2.4

Specifications						Dimensional Drawings Page 37			
Hp	Frame	Ratio X:1 GR	Nominal RPM n	Torque (in-lbs) TR	O.H.L. (lbs) OHL	Motor		Brakemotor	
						3 Phase Std	3 Phase IP-65	3 Phase Std	3 Phase IP-65
1 Hp	32	5	360	159	341	Dwg 2.7	Dwg 2.7	Dwg 2.7	Dwg 2.7
		10	180	317	451				
		15	120	476	495				
		20	90	634	550				
		25	72	793	616				
		30	60	951	660				
		40	45	1268	770				
		50	36	1585	858				
	40	60	30	1902	924	Dwg 2.7	Dwg 2.7	Dwg 2.7	Dwg 2.7
		80	22.5	2452	1300				
		100	18	3065	1360				
		120	15	3677	1410				
		160	11.2	4903	1450				
		200	9	6129	1500				
	50	240	7.5	6770	1500	Dwg 2.8	Dwg 2.8	Dwg 2.8	Dwg 2.8
		300	6	7926	1742				
		375	4.8	9908	1808				
		450	4	10850	1918				

Notes:

1. Motor and brakemotor electrical data shown on Page 10 Table 1.1 (3 Phase).
2. Brake electrical data shown on Pages 12~14.
3. Brother 3 Phase gearmotors are suitable for use with a VFD. See Page 17 for details.
4. See Page 15 for terminal box type or lead wire dimensional details.

Model Number for Ordering

H2	L	32	R	020	-	B	M	M	4	S	X
Type	Mount Form	Frame	Shaft/Bore Arrangement	Gear Ratio		UL/CSA	Motor Type	Motor Power	Supply Voltage	Terminal Box/Leads	Special Spec
H2: H2 Series	L: Foot Mount	32 40 50	R: Right Shaft L: Left Shaft T: Double Shaft Ref: Fig 2.1	005 : 5:1 030 : 30:1 120 : 120:1 450 : 450:1		B: UL/CSA	M: IP-44 Motor B: IP-44 Brakemotor J: IP-44 Brakemotor w/ manual release WM: IP-65 Motor WB: IP-65 Brakemotor	M: 1 Hp	4: 208/230V/460, 60Hz, 3ph 8: OEM Spec. 3ph Special Voltages Fig 1.3, Pg 10	S: Steel IP-44 N: Leads, (4.5 inch) E: Die Cast IP-65	Blank: Standard Type X: Special Spec See Special Specs Below

CAD Drawings

Go to www.BrotherGearmotors.com and enter the desired model number in the configurator. DXF, 3D, and PDF files are available to view or download.

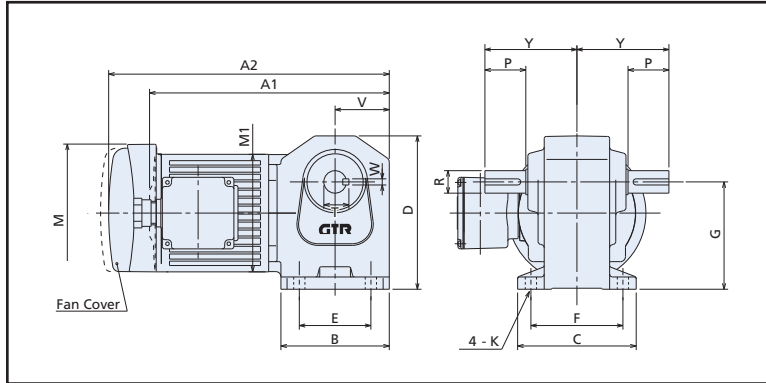
Special Specs

Notes:

1. Lead Wire or Terminal Box location: specify the code from Page 16, Fig 1.24A on your purchase order.
2. Special Voltage: specify the Voltage/Frequency from Page 10 , Fig 1.3 (3 Phase) on your purchase order.
3. For any other special OEM requirement, please consult Brother.

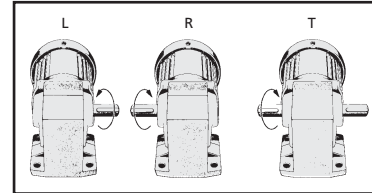
Frame	Motor/ Brake- motor	Dwg	A1 (Motor)	A2 (Brake)	M	B	C	D	E	F	G	K	V	Y	R	W	P	Motor Wt	Brake- motor Wt
32	3 Phase Std	2.7	14.72	15.00	6.38	5.98	5.91	8.07	3.74	4.72	5.51	0.51	2.99	4.72	1.2500	0.2500	2.17	38.5	44
40			15.45	15.73	6.38	7.09	7.09	9.55	4.72	5.51	6.5	0.59	3.54	5.51	1.6250	0.3750	2.56	57.25	63
32	3 Phase IP-65	2.7	14.72	17.40	6.38	5.98	5.91	8.07	3.74	4.72	5.51	0.51	2.99	4.72	1.2500	0.2500	2.17	38.5	44
40			15.45	18.13	6.38	7.09	7.09	9.55	4.72	5.51	6.5	0.59	3.54	5.51	1.6250	0.3750	2.56	57.25	63

Dwg. 2.7



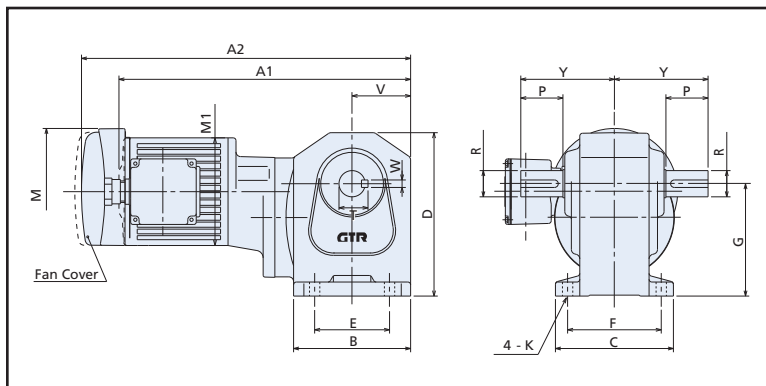
Note: Terminal box or lead wire dim see Page 15.

Fig. 2.1



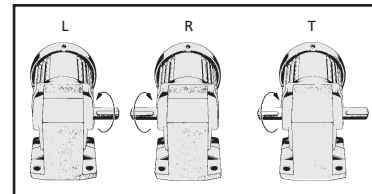
Frame	Motor/ Brake- motor	Dwg	A1 (Motor)	A2 (Brake)	M	B	C	D	E	F	G	K	V	Y	R	W	P	Motor Wt	Brake- motor Wt
50	3 Phase Std	2.8	19.90	20.18	6.38	8.27	9.06	12.13	5.91	7.09	7.87	0.71	4.13	6.5	2.0000	0.5000	2.95	129	134.5
50	3 Phase IP-65	2.8	19.90	22.58	6.38	8.27	9.06	12.13	5.91	7.09	7.87	0.71	4.13	6.5	2.0000	0.5000	2.95	129	134.5

Dwg. 2.8



Note: Terminal box or lead wire dim see Page 15.

Fig. 2.1



Notes/Disclaimer:

1. Every effort is made to assure the accuracy of the drawings. However, certified prints should be requested for critical applications.
2. The drawings on this page are for rough sizing only and may not be visually accurate in all aspects. Please download the actual specification drawing from the [www](http://www.brother.com) or call your Brother salesman or dealer to get a certified print.
3. Prints are available online using the Brother configurator by entering the complete part number. See www.BrotherGearmotors.com



Spec Table 2.5

Specifications						Dimensional Drawings Page 39			
Hp	Frame	Ratio X:1 GR	Nominal RPM n	Torque (in-lbs) TR	O.H.L. (lbs) OHL	Motor		Brakemotor	
						3 Phase Std	3 Phase IP-65	3 Phase Std	3 Phase IP-65
2 Hp	40	5	360	321	595	Dwg 2.9	Dwg 2.9	Dwg 2.9	n/a
		10	180	633	794				
		15	120	954	992				
		20	90	1266	1058				
		25	72	1587	1147				
		30	60	1899	1191				
		40	45	2454	1257				
	50	50	36	3061	1323	Dwg 2.9	Dwg 2.9	Dwg 2.9	n/a
		60	30	3676	1367				
		80	22.5	4899	1918				
		100	18	6121	1985				
		120	15	7343	2029				
		160	11.2	9797	2095				
		200	9	10838	2139				
3 Hp	50	240	7.5	10838	2139	Dwg 2.10	Dwg 2.10	Dwg 2.10	n/a
		5	360	468	882				
		10	180	928	992				
		15	120	1396	1103				
		20	90	1855	1235				
		25	72	2324	1367				
		30	60	2783	1477				
		40	45	3563	1588				
		50	36	4491	1698				
		60	30	5384	1830				
		80	22.5	7187	1896				
		100	18	9017	1985				
		120	15	10751	1985				

Notes:

1. Motor and brakemotor electrical data shown on Page 10 Table 1.1 (3 Phase).
2. Brake electrical data shown on Pages 12~14.
3. Brother 3 Phase gearmotors are suitable for use with a VFD. See Page 17 for details.
4. See Page 15 for terminal box type or lead wire dimensional details.

Model Number for Ordering

H2	L	40	R	020	-	B	M	P	4	S	X
Type	Mount Form	Frame	Shaft/Bore Arrangement	Gear Ratio		UL/CSA	Motor Type	Motor Power	Supply Voltage	Terminal Box/Leads	Special Spec
H2: H2 Series	L: Foot Mount	40 50	R: Right Shaft L: Left Shaft T: Double Shaft Ref: Fig 2.1	005 : 5:1 030 : 30:1 120 : 120:1		B: UL/CSA	M: IP-44 Motor B: IP-44 Brakemotor J: IP-44 Brakemotor w/ manual release WM: IP-65 Motor	P: 2 Hp R: 3 Hp	4: 208/230V/460, 60Hz, 3ph 8: OEM Spec. 3ph Special Voltages Fig 1.3, Pg 10	S: Steel IP-44 N: Leads, (4.5 inch) E: Die Cast IP-65	Blank: Standard Type X: Special Spec See Special Specs Below

CAD Drawings

Go to www.BrotherGearmotors.com and enter the desired model number in the configurator. DXF, 3D, and PDF files are available to view or download.

Special Specs

Notes:

1. Lead Wire or Terminal Box location: specify the code from Page 16, Fig 1.24A on your purchase order.
2. Special Voltage: specify the Voltage/Frequency from Page 10, Fig 1.3 (3 Phase) on your purchase order.
3. For any other special OEM requirement, please consult Brother.

Frame	Motor/ Brake-motor	Dwg	A1 (Motor)	A2 (Brake)	M	B	C	D	E	F	G	K	V	Y	R	W	P	Motor Wt	Brake-motor Wt
40	3 Phase Std	2.9	17.97	18.78	7.32	7.09	7.09	9.55	4.72	5.51	6.5	0.59	3.54	5.51	1.6250	0.3750	2.56	73	80.5
50			18.72	19.53	7.32	8.27	9.06	12.13	5.91	7.09	7.87	0.71	4.13	6.5	2.0000	0.5000	2.95	137	144.5
40	3 Phase IP-65	2.9	17.97	n/a	7.32	7.09	7.09	9.55	4.72	5.51	6.5	0.59	3.54	5.51	1.6250	0.3750	2.56	73	n/a
50			18.72	n/a	7.32	8.27	9.06	12.13	5.91	7.09	7.87	0.71	4.13	6.5	2.0000	0.5000	2.95	137	n/a

Dwg. 2.9 (2 Hp)

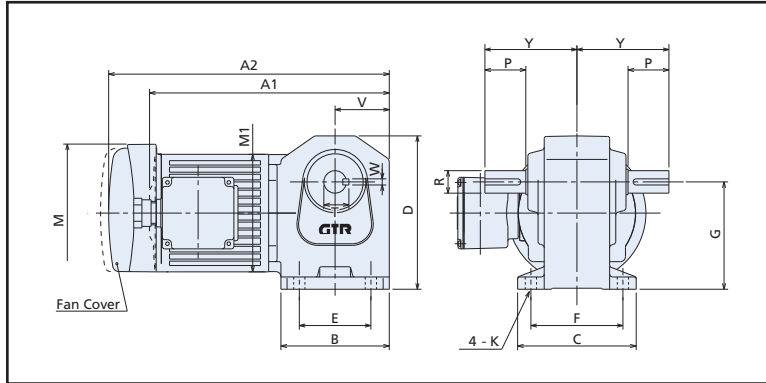
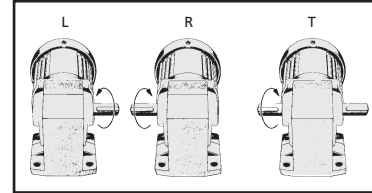


Fig. 2.1



Note: Terminal box or lead wire dim see Page 15.

Frame	Motor/ Brake-motor	Dwg	A1 (Motor)	A2 (Brake)	M	B	C	D	E	F	G	K	V	Y	R	W	P	Motor Wt	Brake-motor Wt
50	3 Phase Std	2.8	19.90	20.18	6.38	8.27	9.06	12.13	5.91	7.09	7.87	0.71	4.13	6.5	2.0000	0.5000	2.95	129	134.5
50	3 Phase IP-65	2.8	19.90	22.58	6.38	8.27	9.06	12.13	5.91	7.09	7.87	0.71	4.13	6.5	2.0000	0.5000	2.95	129	134.5

Dwg. 2.10 (3 Hp)

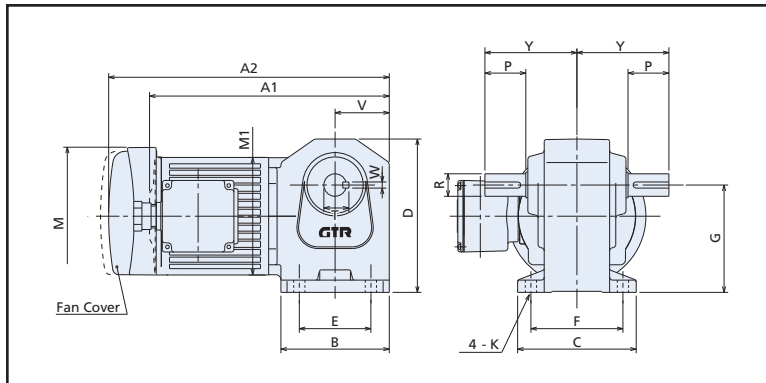
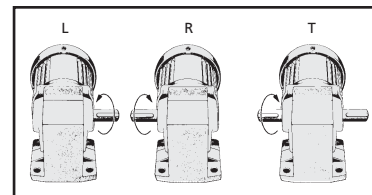


Fig. 2.1



Notes/Disclaimer:

1. Every effort is made to assure the accuracy of the drawings. However, certified prints should be requested for critical applications.
2. The drawings on this page are for rough sizing only and may not be visually accurate in all aspects. Please download the actual specification drawing from the www or call your Brother salesman or dealer to get a certified print.
3. Prints are available online using the Brother configurator by entering the complete part number. See www.BrotherGearmotors.com

Spec Table 2.6

Specifications						Dimensional Drawings Page 41
Hp	Frame	Ratio X:1 GR	Nominal RPM n	Torque (in-lbs) TR	O.H.L. (lbs) OHL	Foot Mount
1/4 Hp	22	5	360	42	132	Dwg 2.11
		10	180	85	209	
		15	120	127	231	
		20	90	169	264	
		25	72	211	286	
		30	60	254	308	
		40	45	338	352	
		50	36	423	385	
	60	30	507	407		
	28	80	22.5	654	550	Dwg 2.11
		100	18	817	594	
		120	15	981	616	
		160	11.2	1308	638	
		200	9	1634	638	
240		7.5	1961	638		
1/2 Hp	28	5	360	85	209	Dwg 2.11
		10	180	169	330	
		15	120	254	374	
		20	90	338	418	
		25	72	423	451	
		30	60	507	495	
		40	45	676	550	
		50	36	845	594	
	60	30	1014	616		
	32	80	22.5	1308	770	Dwg 2.11
		100	18	1634	858	
		120	15	1961	924	
		160	11.2	2615	924	
		200	9	3269	924	
240		7.5	3819	924		
1 Hp	32	5	360	159	341	Dwg 2.11
		10	180	317	451	
		15	120	476	495	
		20	90	634	550	
		25	72	793	616	
		30	60	951	660	
		40	45	1268	770	
		50	36	1585	858	
	60	30	1902	924		
	40	80	22.5	2452	1300	Dwg 2.11
		100	18	3065	1360	
		120	15	3677	1410	
		160	11.2	4903	1450	
		200	9	6129	1500	
240		7.5	6770	1500		



Model Number for Ordering

H2	L	22	R	012	-	N	C	K	X
Type	Mount Form	Frame	Shaft/Bore Arrangement	Gear Ratio		UL/CSA	Motor Type	Motor Power	Special Spec
H2: H2 Series	L: Foot Mount	22 28 32 40	R: Right Shaft L: Left Shaft T: Double Shaft Ref: Fig 2.2	005 : 5:1 030 : 30:1 120 : 120:1		N: Common Code (no UL)	C: NEMA 56C Reducer	K: 1/4 Hp L: 1/2 Hp M: 1 Hp	Blank: Standard Type X: Special Spec Special Specs, consult Brother

CAD Drawings

Go to www.BrotherGearmotors.com and enter the desired model number in the configurator. DXF, 3D, and PDF files are available to view or download.

Hp	Frame	Dwg	A	B	C	D	E	F	G	K	V	Y	R	W	P	Wt
1/4 Hp	22	2.11	7.50	4.17	4.57	5.91	2.76	3.54	4.13	0.43	2.09	3.54	0.8750	0.1875	1.57	10
	28		7.99	4.92	4.96	6.87	3.15	3.94	4.72	0.43	2.46	3.94	1.1250	0.2500	1.77	14
1/2 Hp	28	2.11	8.56	4.92	4.96	6.87	3.15	3.94	4.72	0.43	2.46	3.94	1.1250	0.2500	1.77	14
	32		9.31	5.98	5.91	8.07	3.74	4.72	5.51	0.51	2.99	4.72	1.2500	0.2500	2.17	20
1 Hp	32	2.11	9.31	5.98	5.91	8.07	3.74	4.72	5.51	0.51	2.99	4.72	1.2500	0.2500	2.17	20
	40		10.46	7.09	7.09	9.55	4.72	5.51	6.5	0.59	3.54	5.51	1.6250	0.3750	2.56	43

Dwg. 2.11

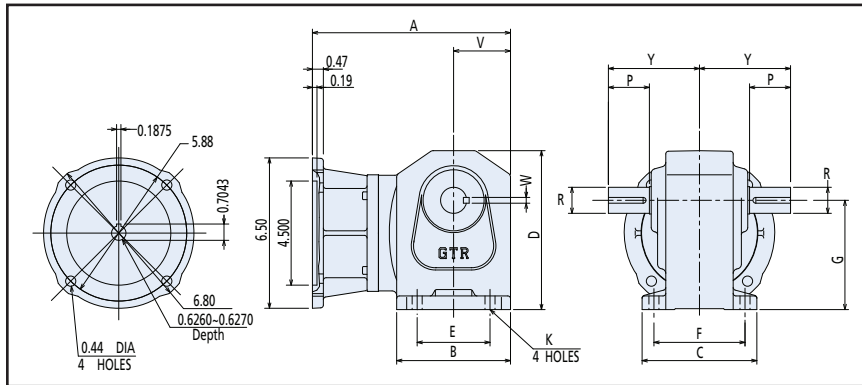
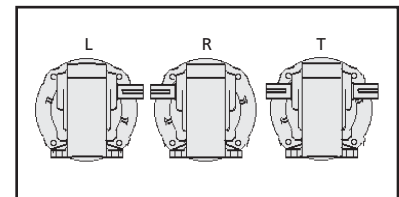


Fig. 2.2



Notes/Disclaimer:

1. Every effort is made to assure the accuracy of the drawings. However, certified prints should be requested for critical applications.
2. The drawings on this page are for rough sizing only and may not be visually accurate in all aspects. Please download the actual specification drawing from the www or call your Brother salesman or dealer to get a certified print.
3. Prints are available online using the Brother configurator by entering the complete part number. See www.BrotherGearmotors.com