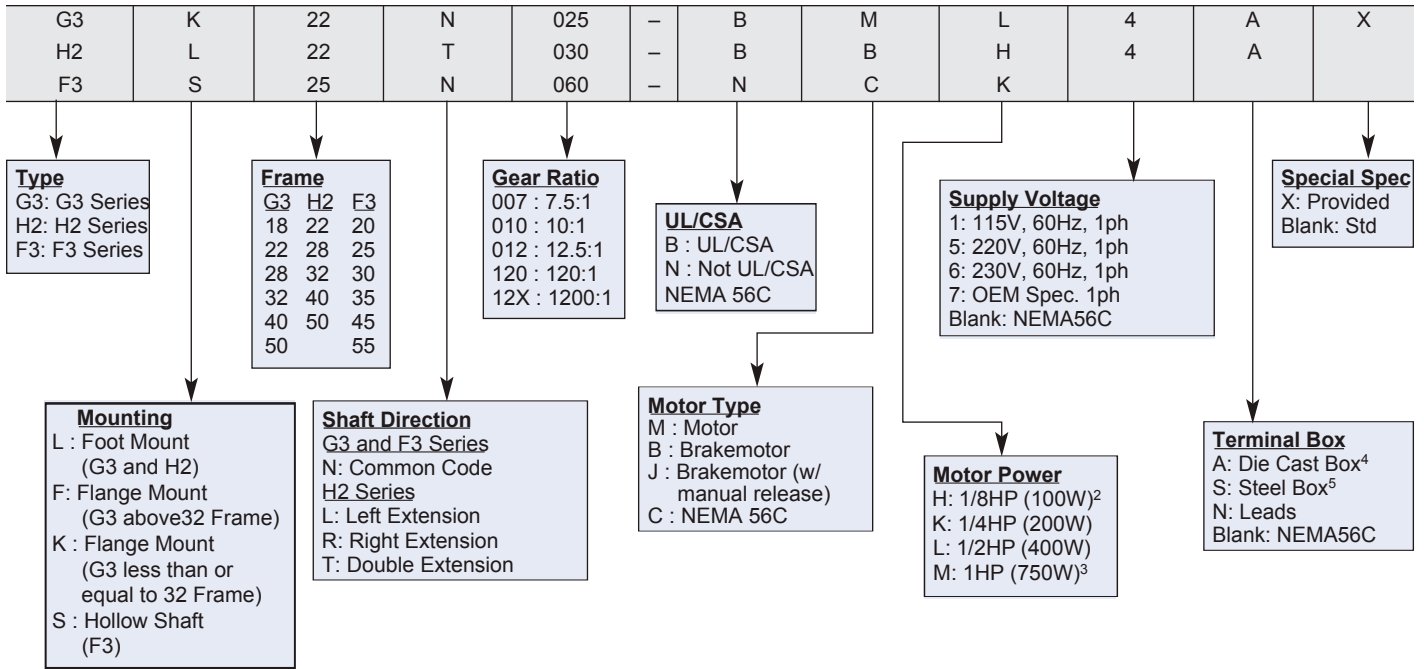
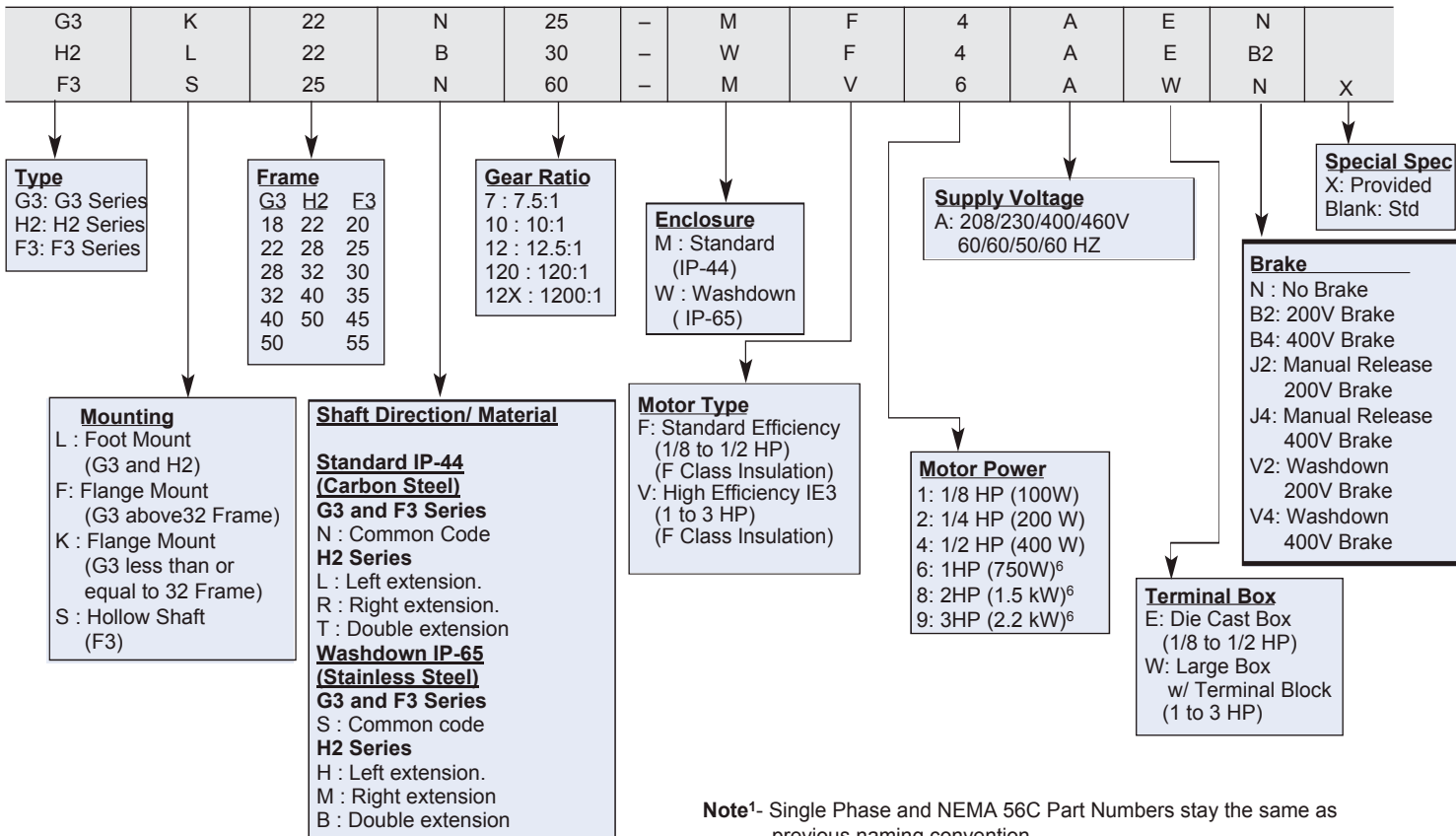


Single Phase Gearmotors & NEMA 56C Reducers



Three Phase-Inverter Duty Gearmotors



Note<sup>1</sup>- Single Phase and NEMA 56C Part Numbers stay the same as previous naming convention

Note<sup>2</sup>- Not available in a 56C Reducer

Note<sup>3</sup>- Not available in a Single Phase Gearmotor

Note<sup>4</sup>- For 1/8 and 1/4HP Single Phase Models

Note<sup>5</sup>- For 1/2HP Single Phase Models

Note<sup>6</sup>- 1, 2, and 3 HP Motors meet IE3 Efficiency Standards