

Mini Type G In-line Torque Table (in-lb) (Frame / Torque)

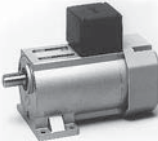
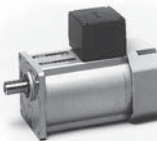




Ratio	RPM	1/50 Hp	1/30 Hp	1/20 Hp	1/15 Hp	1/10 Hp	1/6 Hp
5	360	3	5	8	12	18	25
7.5	240	4	7	12	18	28	37
10	180	6	10	16	25	37	49
15	120	9	14	23	37	55	74
20	90	12	19	31	49	74	98
25	72	14	24	39	61	92	123
30	60	17	29	47	74	110	147
40	45	23	39	62	98	147	196
50	36	29	48	78	123	184	245
60	30	35	58	94	147	221	294
80	22.5	44	73	119	186	279	
100	18	55	91	148	233	349	
120	15	66	110	178	279	419	
160	11.2	88	146	237	373	477	
200	9	110	183	296	466	477	
240	7.5	132	220	356	477	477	
300	6	148	247	400	629	943	
375	4.8	185	309	500	786	1179	
450	4	222	370	600	943	1415	
600	3	296	494	800	1258	1887	
750	2.4	370	617	1000	1572	2358	
900	2	445	741	1200	1887	2830	
1200	1.5	593	988	1600	2515	3726	
1500	1.2	741	1235	2000	3144	4682	
1800	1	868	1476	2430	3732	5638	


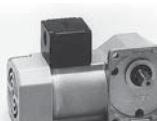
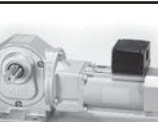
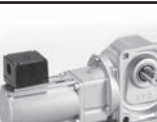


Mini Type H Rt-Angle Torque Table (in-lb) (Frame / Torque)



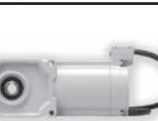
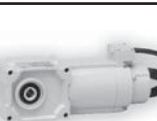
Ratio	RPM	1/50 Hp	1/30 Hp	1/20 Hp	1/15 Hp	1/10 Hp
10	170	6	10	16	25	37
15	120	9	14	23	37	55
20	90	12	19	31	49	74
25	72	14	24	39	61	92
30	60	17	29	47	74	110
40	45	23	39	62	98	147
50	36	29	48	78	123	184
60	30	35	58	94	147	221
80	22.5	44	73	119	186	279
100	18	55	91	148	233	349
120	15	66	110	178	279	419
160	11.2	88	146	237	373	477
200	9	110	183	296	466	477
240	7.5	132	220	356	477	477
300	6	148	247	400	629	943
375	4.8	185	309	500	786	1179
450	4	222	370	600	943	1415
600	3	296	494	800	1258	1887
750	2.4	370	617	1000	1572	2358
900	2	445	741	1200	1887	2830
1200	1.5	593	988	1600	2515	3726
1500	1.2	741	1235	2000	3144	4682
1800	1	868	1476	2430	3732	5638

Mini Type F2 Rt-Angle Hollow Bore Torque Table (in-lb) (Frame / Torque)

Ratio	RPM	1/50 Hp	1/30 Hp	1/20 Hp	1/15 Hp	1/10 Hp
10	170	6	10	16	25	37
15	120	9	14	23	37	55
20	90	12	19	31	49	74
25	72	14	24	39	61	92
30	60	17	29	47	74	110
40	45	23	39	62	98	147
50	36	29	48	78	123	184
60	30	35	58	94	147	221
80	22.5	44	73	119	186	279
100	18	55	91	148	233	349
120	15	66	110	178	279	419
160	11.2	88	146	237	373	477
200	9	110	183	296	466	477
240	7.5	132	220	356	477	477

Foot Mount	Flange Mount	Description
		5:1~240:1 3 Ph Std 1 Ph Std Optional Brake Pages 16~27
		300:1~1800:1 3 Ph Std 1 Ph Std Optional Brake Pages 16~25
		5:1~240:1 3 Ph Std 1 Ph Std Optional Brake Pages 16~25

Foot Mount	Flange Mount	Description
		10:1~240:1 3 Ph Std 1 Ph Std Optional Brake Pages 28~37
		300:1~1800:1 3 Ph Std 1 Ph Std Optional Brake Pages 28~37
		10:1~240:1 3 Ph Std 1 Ph Std Optional Brake Pages 28~37

Shaft Mount		Description
		10:1~240:1 3 Ph Std 1 Ph Std Optional Brake Pages 38~47
		10:1~240:1 3 Ph Std 1 Ph Std Optional Brake Pages 38~47