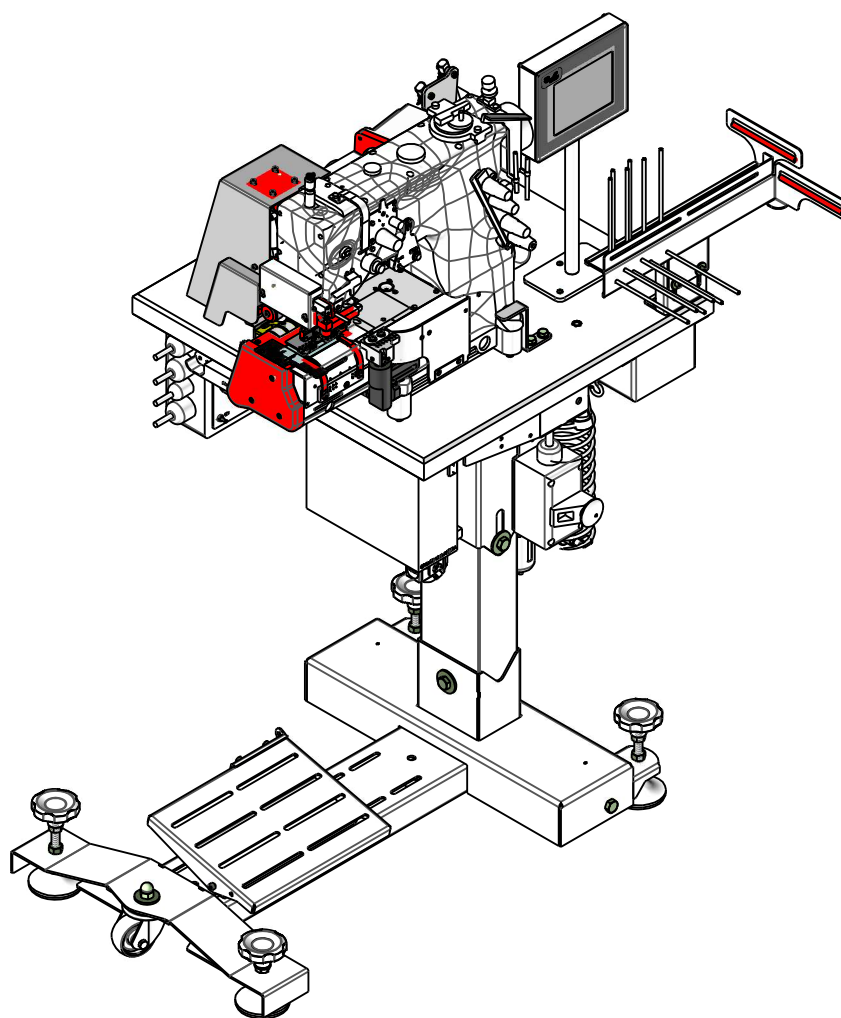




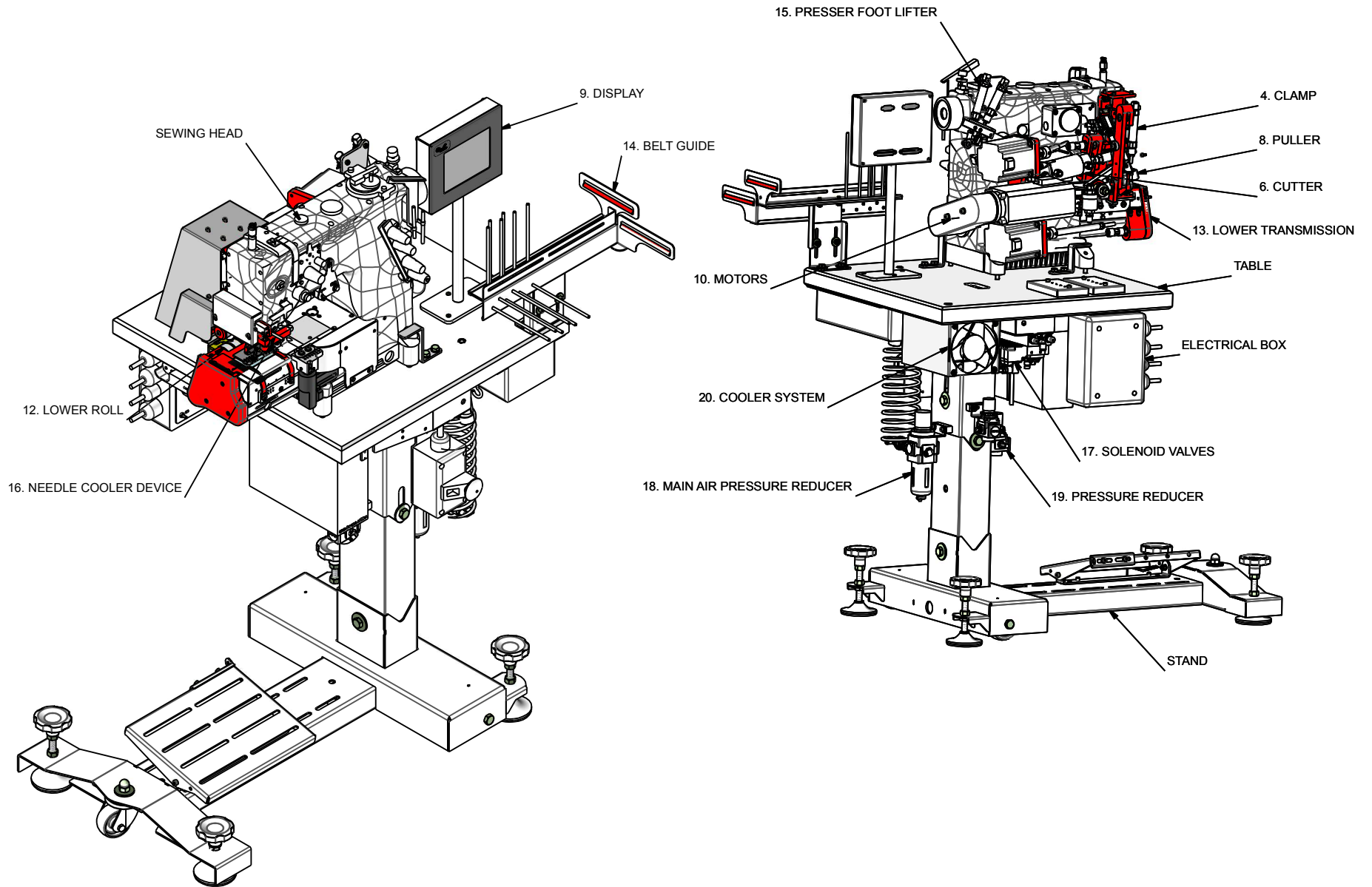
Unit model : 6044-SPCH

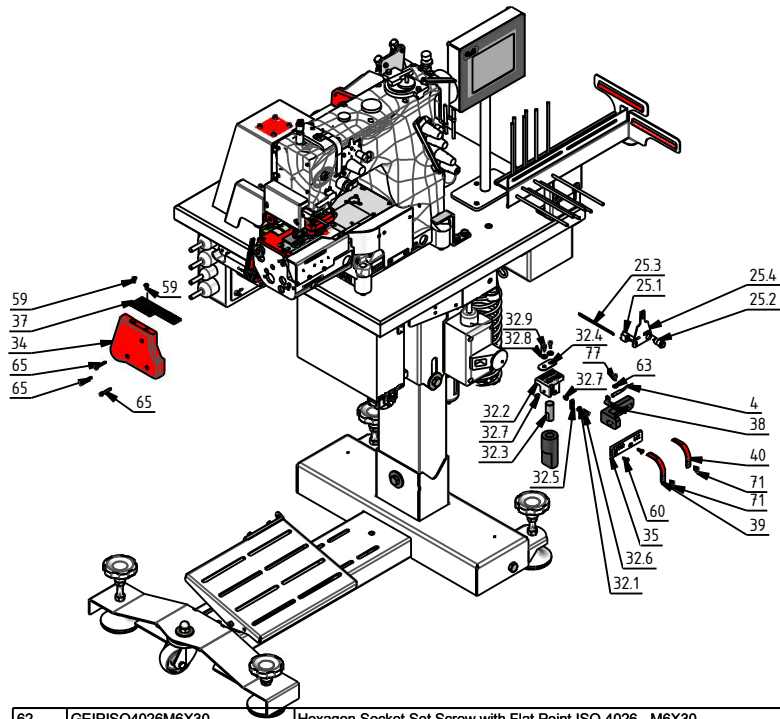
Description : AUTOMATIC WAISTBAND UNIT CHAIN STITCH



TOR.MEC AMBROSI s.r.l. - Via Maestri del Lavoro 16 Santa Maria di Zevio 37050 - VERONA - ITALY
Phone: +39 0456050205 ; Fax: +39 0456051645; Email: info@sip-italy.com
www.tormec.com / www.sip-italy.com



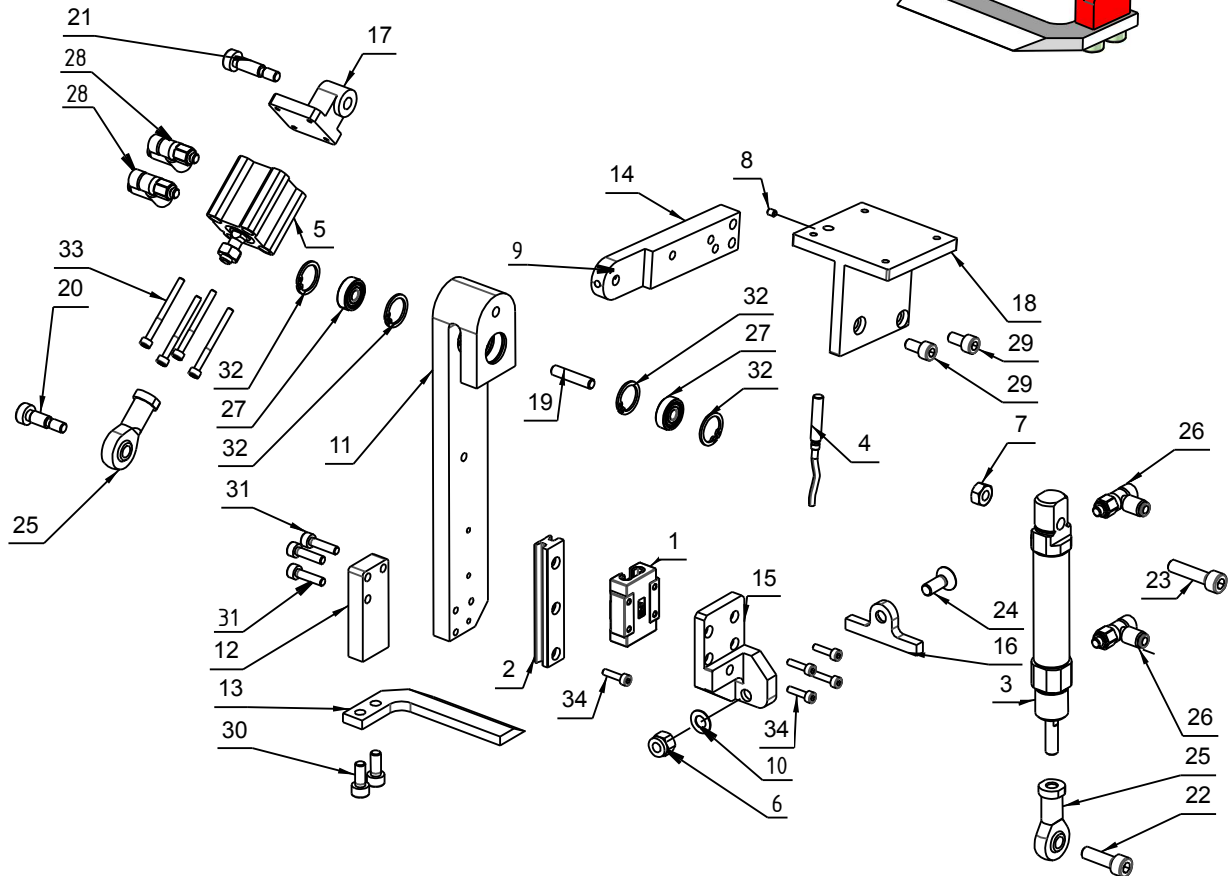
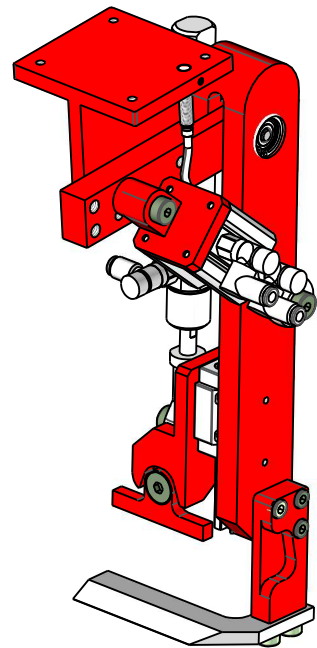




POS.	CODE	DESCRIPTION	Q.TY
2	COM.000002	SEWING HEAD KANSAI FBX-1104P	1
3	COM.000576	STAND DA9280	1
4	COM.000578	PROXIMITY SENSOR M5 NPN NO uscita cavo	1
5	COM.000626	TABLE 6044 SPCH	1
6	COM.000633	CONTROL UNIT AB321A	1
7	COM.000676	CIRCUIT BRACKER	1
8	COM.000776	AIR GUN HOOK	1
9	COM.000792	DRAWER 320X170X80	1
10	COM.000898	JUNCTION BOX ASSEMBLY SPCH 6044	1
11	COM.000912	EMERGENCY MUSHROOM	1
12	COM.000969	MOTOR CONTROL	1
13	COM.001120	COMPRESSION SPRING De=12 L=102 d=1.5	1
25	SIP.A.000138	SWITCH PLATE ASSEMBLY	1
25.1	COM.000388	MINI SWITCH	1
25.2	COM.000519	SWITCH BUTTON	1
25.3	COM.000604	ELECTRICAL CABLE BIPOLAR 0,75 mmq	1
25.4	SIP.P.000561	SWITCH PLATE	1
32	SIP.A.000282	EDGE SUPPORT ASSEMBLY	1
32.1	RPISO70894	Plain Washer - 4	1
32.2	SIP.P.001163	EDGE SUPPORT	1
32.3	SIP.P.001164	EDGE SHAFT Ø16X50	1
32.4	SIP.P.001165	EDGE BRACKET	1
32.5	SIP.P.001171	REGULATION BRACKET	1
32.6	VTCEIISO4762M4X8	Hexagon Socket Head Cap Screw ISO 4762 - M4X8	1
32.7	GEIPIISO4026M6X8	Hexagon Socket Set Screw with Flat Point ISO 4026 - M6X8	2
32.8	RPLISO7093-4	Large Plain Washer - 4	2
32.9	VTCEIISO4762M4X10	Hexagon Socket Head Cap Screw ISO 4762 - M4X10	2
34	SIP.P.000567	LATERAL COVER	1
35	SIP.P.000583	GUIDE CLOTH SUPPORT	1
36	SIP.P.000592	BREAKER SUPPORT	1
37	SIP.P.000593	BRACKET REFLECTIVE	1
38	SIP.P.000608	BINDER PROXIMITY SUPPORT	1
39	SIP.P.000617	BELT GUIDE CH SX	1
40	SIP.P.000618	BELT GUIDE CH DX	1
41	SIP.P.000632	ACCESSORIES PLATE	1
42	SIP.P.001610	TOOTHED PULLEY HTD Z18 8M D15	1
44	SIP.P.000913	HEAD HOLDER 78 mm	1
45	SIP.P.000914	HEAD HOLDER 58 mm	1
46	SIP.P.000939	INTERNAL SHAFT	1
47	SIP.P.001322	ORIGINAL KANSAI PLATE CH	1
48	SIP.P.001324	COVER PLATE	1
49	VTCEIISO4762M6X40	Hexagon Socket Head Cap Screw ISO 4762 - M6X40	1
50	COM.000635	DRIVER X-PLUS B4.1	2
51	COM.000685	TERMINAL BLOCK	2
52	GEIPIISO4026M5X10	Hexagon Socket Set Screw with Flat Point ISO 4026 - M5X10	1
54	SIP.P.000633	CONNECTOR COVER	2
55	VTCEIISO4762M4X20	Hexagon Socket Head Cap Screw ISO 4762 - M4X20	2
56	VTCEIISO4762M6X20	Hexagon Socket Head Cap Screw ISO 4762 - M6X20	2
57	VTCEIISO4762M4X8	Low Head Socket Cap Screw DIN 7984 - M4X8	2
58	VTCEIISO4762M6X16	Low Head Socket Cap Screw DIN 7984 - M6X16	2
59	VTSEIISO4762M4X10	Hexagon Socket Countersunk Head Screw ISO 10642 - M4X10	2
60	VTSEIISO4762M4X12	Hexagon Socket Countersunk Head Screw ISO 10642 - M4X12	2
61	DEABISO7040M6	Hexagon Self Locking Nut with Plastic Insert ISO 7040 - M6	3

62	GEIPIISO4026M6X30	Hexagon Socket Set Screw with Flat Point ISO 4026 - M6X30	3
63	RPISO70894	Plain Washer - 4	3
64	RPLISO7093-6	Large Plain Washer - 6	3
65	VTCEIISO4762M4X25	Hexagon Socket Head Cap Screw ISO 4762 - M4X25	3
66	VTCEIISO4762M5X25	Hexagon Socket Head Cap Screw ISO 4762 - M5X25	3
67	DEFISO4161M4	Hexagon Nut with Flange ISO 4161 - M4	4
68	GEIPIISO4026M8X30	Hexagon Socket Set Screw with Flat Point ISO 4026 - M8X30	4
69	RPISO70898	Plain Washer - 8	4
70	RPLISO7093-4	Large Plain Washer - 4	4
71	VTCEIISO4762M3X6	Hexagon Socket Head Cap Screw ISO 4762 - M3X6	4
72	VTCEIISO4762M4X16	Hexagon Socket Head Cap Screw ISO 4762 - M4X16	4
73	VTEISO4017M8X30	Hexagon Screw ISO 4017 - M8X30	4
74	VLST-ZDIN7996-4X40	Wood Screw DIN7996 4x40	5
75	RPLISO7093-5	Large Plain Washer - 5	6
76	RPLISO7093-8	Large Plain Washer - 8	6
77	VTCEIISO4762M4X8	Hexagon Socket Head Cap Screw ISO 4762 - M4X8	6
78	VTEISO4017M8X20	Hexagon Screw ISO 4017 - M8X20	6
79	VLST-ZDIN7996-4X25	Wood Screw DIN7996 4x25	9
80	VTCEIISO4762M5X10	Hexagon Socket Head Cap Screw ISO 4762 - M5X10	13
81	VLST-ZDIN7996-3X25	Wood Screw DIN7996 3x25	14
82	SIP.P.000543	NEEDLE PLATE SUPPORT CH	1
83	SIP.P.000545	NEEDLE PLATE CUTTER	1
84	RPISO70893	Plain Washer - 3	2
85	SCISO87345X10	Parallel Pin ISO 8734 - 5X10	2
86	VTCCIISO1580M3X4	Slotted Large Cheese Head Screw ISO 1580 - M3X4	2
87	VTCEIISO4762M4X10	Hexagon Socket Head Cap Screw ISO 4762 - M4X10	4

	Code - Description :	Unit model :
	SIP.6044-SPCH.00 -	6044-SPCH

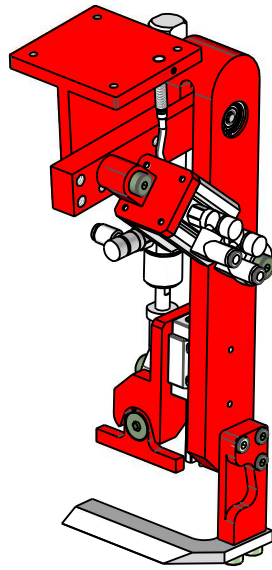


Code - Description :

SIP.A.000082 - PULLER ASSEMBLY

Unit model :

6044-SPCH/LS



POS.	CODE	DESCRIPTION	Q.TY
1	COM.000389	LINEAR SLIDER IGUS-TW-04-12	1
2	COM.000411	LINEAR RAIL IGUS TS-04-12 L=65	1
3	COM.000414	CYLINDER C85N16-30	1
4	COM.000578	PROXIMITY SENSOR M5 NPN NO uscita cavo	1
5	COM.000642	SMC CYLINDER CQ2B16-15DM	1
6	DEABISO7040M6	Hexagon Self Locking Nut with Plastic Insert ISO 7040 - M6	1
7	DEISO4032M6	Hexagon Nut ISO 4032 - M6	1
8	GEIPISO4026M3X4	Hexagon Socket Set Screw with Flat Point ISO 4026 - M3X4	1
9	GEIPISO4026M4X6	Hexagon Socket Set Screw with Flat Point ISO 4026 - M4X6	1
10	REOUNI8840B-M6	Elastic Waved Washer M6	1
11	SIP.P.000337	MAIN ARM	1
12	SIP.P.000338	REFERENCE BRACKET	1
13	SIP.P.000339	REFERENCE PLATE	1
14	SIP.P.000340	FIXED BRACKET	1
15	SIP.P.000350	PRESSER BRACKET	1
16	SIP.P.000351	SWINGING PRESSER	1
17	SIP.P.000352	CYLINDER INTERFACE	1
18	SIP.P.000595	COVER SUPPORT	1
19	SIP.P.000701	PIN D5	1
20	VTCEIGRISO73796X12	Hexagon Socket Head Shoulder Screw ISO 7379 - 6X12	1
21	VTCEIGRISO73796X16	Hexagon Socket Head Shoulder Screw ISO 7379 - 6X16	1
22	VTCEISO4762M6X20	Hexagon Socket Head Cap Screw ISO 4762 - M6X20	1
23	VTCEISO4762M6X25	Hexagon Socket Head Cap Screw ISO 4762 - M6X25	1
24	VTSEISO4762M6X16	Hexagon Socket Countersunk Head Screw ISO 10642 - M6X16	1
25	COM.000393	SFERICAL INTERFACE KJ6DM6	2
26	COM.000413	FLOW REGULATOR AS1201F-M5-04A	2
27	COM.000647	BALL BEARING 5-16-5 625-2Z	2
28	COM.000844	SMC REGULATOR AS1301F-M5-04	2
29	VTCEISO4762M5X10	Hexagon Socket Head Cap Screw ISO 4762 - M5X10	2
30	VTCEISO4762M5X12	Hexagon Socket Head Cap Screw ISO 4762 - M5X12	2
31	VTCEISO4762M4X16	Hexagon Socket Head Cap Screw ISO 4762 - M4X16	3
32	COM.000648	SEEGER FORI-UNI7437-D16	4
33	VTCEISO4762M3X35	Hexagon Socket Head Cap Screw ISO 4762 - M3X35	4
34	VTCEISO4762M3X12	Hexagon Socket Head Cap Screw ISO 4762 - M3X12	5

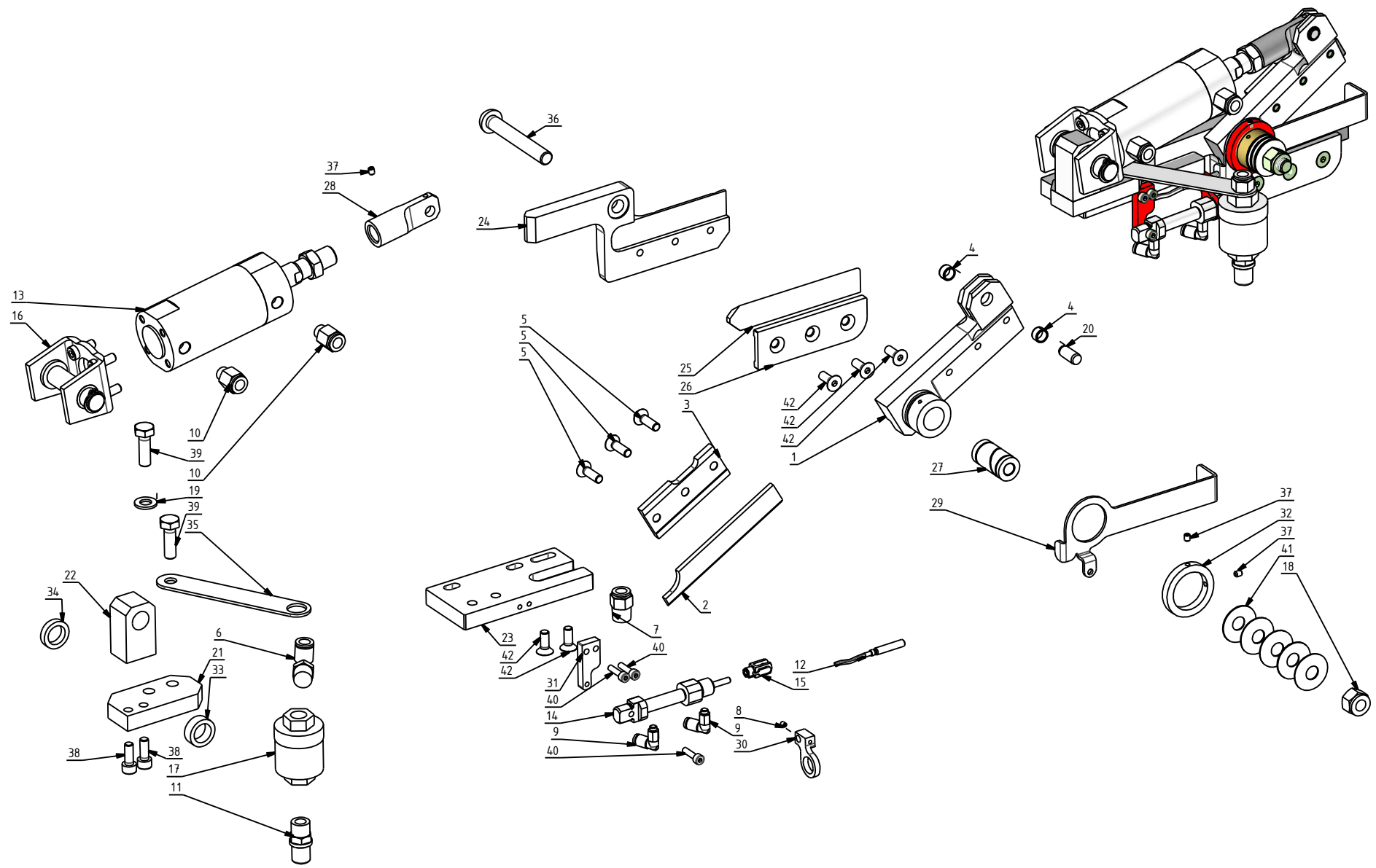


Code - Description :

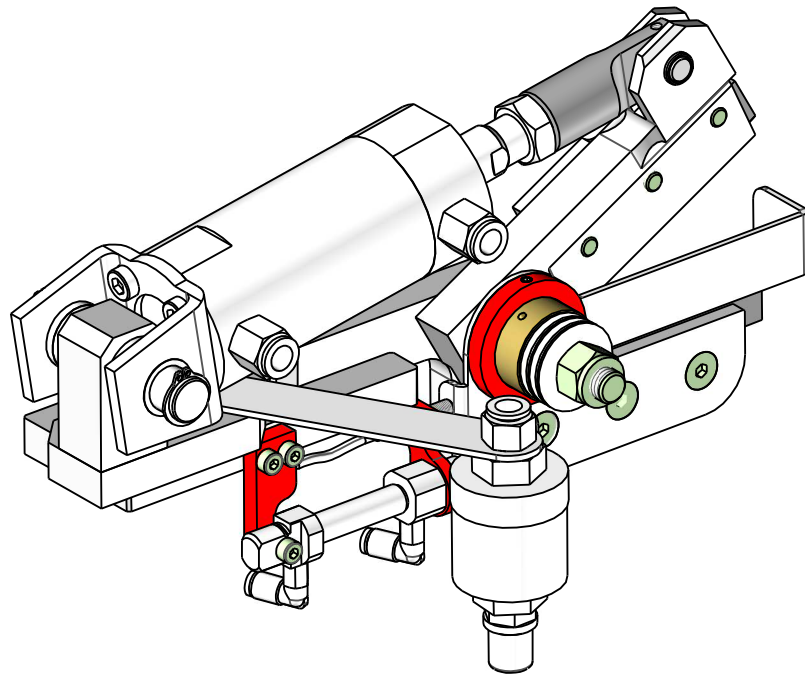
SIP.A.000082 - PULLER ASSEMBLY

Unit model :

6044-SPCH/LS



	Code - Description : SIP.A.000083 - CUTTER ASSEMBLY	Unit model : 6044-SPCH/LS
--	--	------------------------------



POS.	CODE	DESCRIPTION	Q.TY
1	SIP.A.000087	MOVABLE BLADE ASSEMBLY	1
2	SIP.P.000362	MOVABLE BLADE	1
3	SIP.P.000537	CUTTER MOVABLE PLATE	1
4	COM.000314	BUSHING 10-08-06	2
5	VTSEIISO4762M6X20	Hexagon Socket Countersunk Head Screw ISO 10642 - M6X20	3
6	COM.000329	FITTING KQ2L08-02AS	1
7	COM.000445	FITTING KQ2H08-02AS	1
8	GEIPISO4026M3X4	Hexagon Socket Set Screw with Flat Point ISO 4026 - M3X4	1
9	COM.000310	FITTING KQ2L04-M5A	2
10	COM.000335	FITTING KQ2H08-01AS	2
11	COM.000419	MUFFLER 1/4"	1
12	COM.000578	PROXIMITY SENSOR M5 NPN NO uscita cavo	1
13	COM.000640	SMC CYLINDER CG1BN40-25Z	1
14	COM.000652	SMC CYLINDER C85N8-10	1
15	COM.000653	SMC JOINT GKM4-8	1
16	COM.000669	SMC CYLINDER INTERFACE CG-D040	1
17	COM.000680	QUICK RELIEF VALVE VSR 500/A 1/4	1
18	DEABISO7040M10	Hexagon Self Locking Nut with Plastic Insert ISO 7040 - M10	1
19	RPISO70898	Plain Washer - 8	1
20	SCISO87348X18	Parallel Pin ISO 8734 - 8X18	1
21	SIP.P.000353	SLOTTED BRACKET	1
22	SIP.P.000354	CYLINDER INTERFACE	1
23	SIP.P.000355	MACHINE INTERFACE PLATE	1
24	SIP.P.000356	FIXED BLADE SUPPORT	1
25	SIP.P.000357	FIXED BLADE	1
26	SIP.P.000358	CUTTER FIX PLATE	1
27	SIP.P.000359	PIN	1
28	SIP.P.000538	FLAT JOINT	1
29	SIP.P.000539	FINGER GUARD	1
30	SIP.P.000540	PROXIMITY SENSOR SUPPORT	1
31	SIP.P.000542	CYLINDER BRACKET	1
32	SIP.P.000544	FINGER GUARD FIXATION	1
33	SIP.P.000690	SPACER 8 mm	1
34	SIP.P.000691	SPACER 3 mm	1
35	SIP.P.000733	VALVE SUPPORT	1
36	VTBEIISO7380M10X70	Hexagon Socket Pan Head Cap Screw ISO 7380 - M10X70	1
37	GEIPISO4026M4X5	Hexagon Socket Set Screw with Flat Point ISO 4026 - M4X5	3
38	VTCEIISO4762M6X16	Hexagon Socket Head Cap Screw ISO 4762 - M6X16	2
39	VTEISO4017M8X25	Hexagon Screw ISO 4017 - M8X25	2
40	VTCEIISO4762M4X16	Hexagon Socket Head Cap Screw ISO 4762 - M4X16	3
41	COM.000649	BELLEVILLE SPRING DIN 2093 28X10,2X0,8	5
42	VTSEIISO4762M6X16	Hexagon Socket Countersunk Head Screw ISO 10642 - M6X16	5

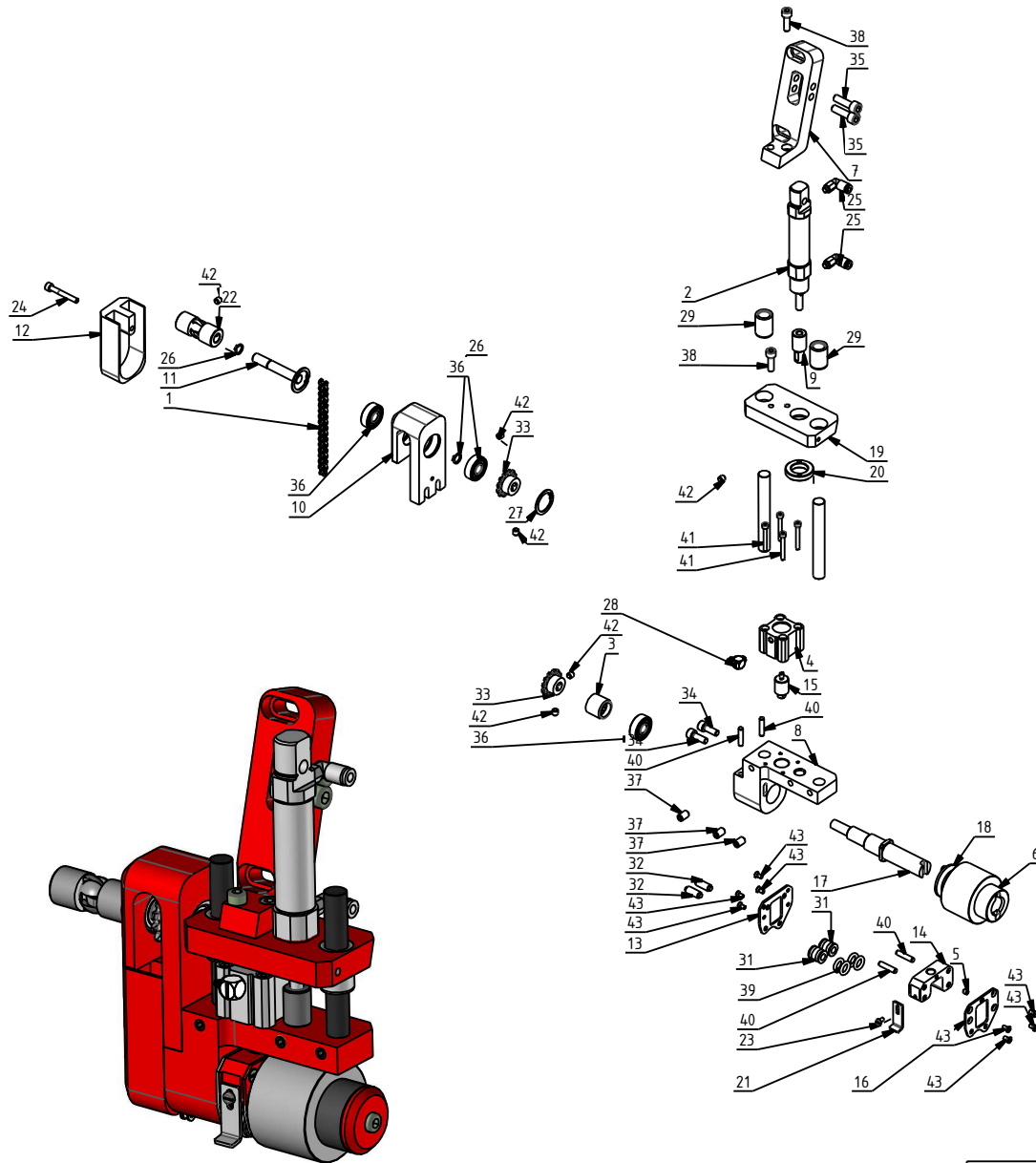


Code - Description :

SIP.A.000083 - CUTTER ASSEMBLY

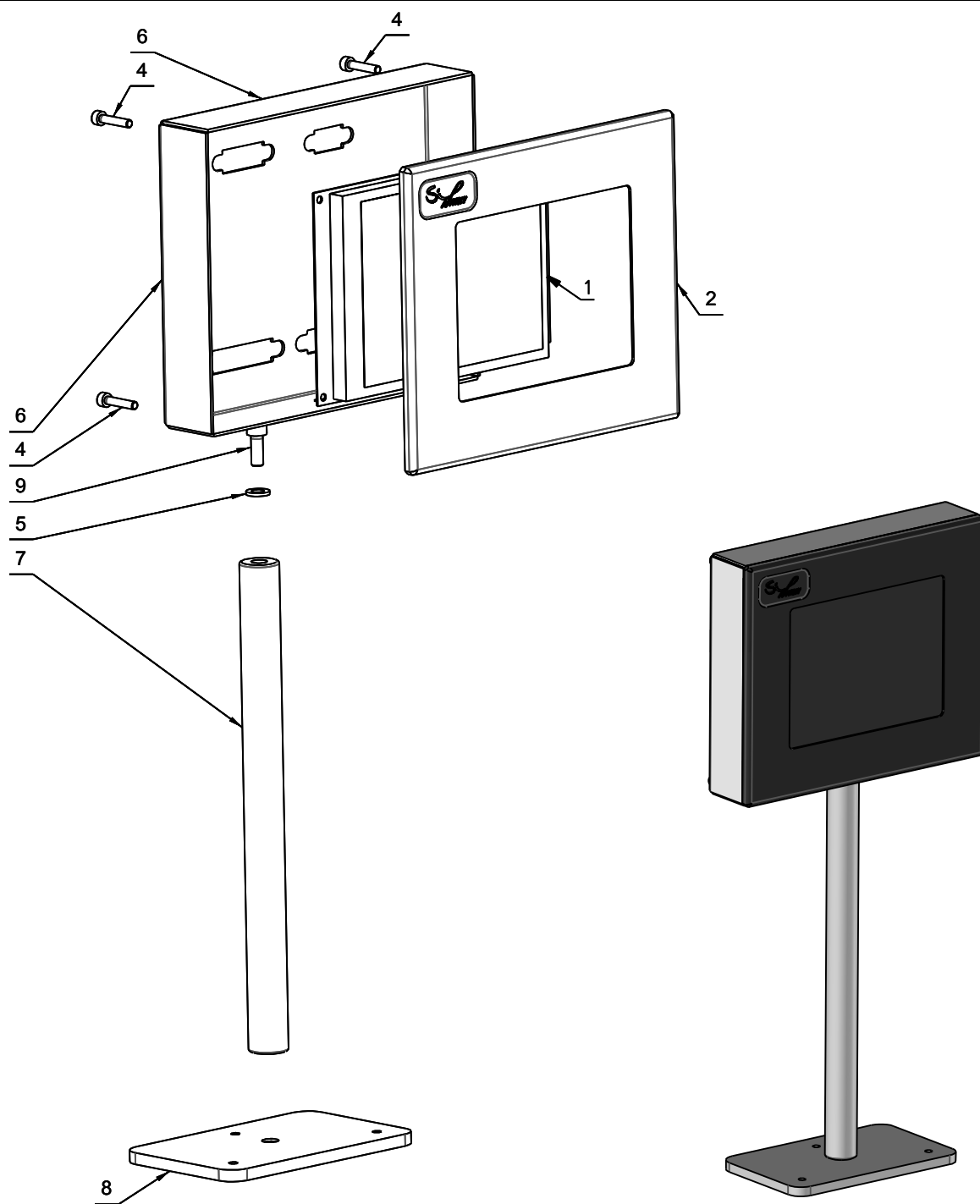
Unit model :

6044-SPCH/LS



POS.	CODE	DESCRIPTION	Q.TY
1	COM.000377	SINGLE CHAIN EUROPEAN ISO606 04-1	1
2	COM.000611	CYLINDER C85N16-20	1
3	COM.000668	ROLLER BEARING HK-1216.2RS	1
4	COM.000899	CYLINDER CQ2B16-5S	1
5	GEIPIISO4026M4X4	Hexagon Socket Set Screw with Flat Point ISO 4026 - M4X4	1
6	SIP.P.000385	RUBBER CYLINDER ASSEMBLY	1
7	SIP.P.000363	FIXATION ANGLED BRACKET	1
8	SIP.P.000364	ROLL SUPPORT	1
9	SIP.P.000365	PRESSURE PIN	1
10	SIP.P.000367	CHAIN SUPPORT ELEMENT	1
11	SIP.P.000368	MOVEMENT PIN	1
12	SIP.P.000369	CHAIN CARTER	1
13	SIP.P.001646	FORCELL ROTOLIN LH	1
14	SIP.P.000378	ROTOLIN BLOCK	1
15	SIP.P.000379	ROLL PUSHING PIN	1
16	SIP.P.001647	FORCELL ROTOLIN RH	1
17	SIP.P.000383	RUBBER CYLINDER PIN	1
18	SIP.P.000386	PULLER CAP	1
19	SIP.P.000387	INTERFACE PLATE	1
20	SIP.P.000388	CYLINDER FIXATION BUSHING	1
21	SIP.P.000562	FABRIC SPOILER	1
22	SIP.P.001012	CARDAN JOINT G17P	1
23	VTCCIISO1580M3X5	Slotted Large Cheese Head Screw ISO 1580 - M3X5	1
24	VTCEIISO4762M4X30	Hexagon Socket Head Cap Screw ISO 4762 - M4X30	1
25	COM.000310	FITTING KQ2L04-M5A	2
26	COM.000318	SEEGER-UNI7435-D8	2
27	COM.000378	SEEGER FOR HOLES D22 UNI7437	2
28	COM.000595	MINI FITTING M-5ALU-4	2
29	COM.001313	BUSHING DIN179-10X20	2
31	SIP.P.001645	ROLL	2
32	SIP.P.000377	ROLL PIN	2
33	SIP.P.001007	PINION Z12 P6	2
34	VTCEIISO4762M5X14	Hexagon Socket Head Cap Screw ISO 4762 - M5X14	2
35	VTCEIISO4762M6X20	Hexagon Socket Head Cap Screw ISO 4762 - M6X20	2
36	COM.000634	ROLL BEARING 8-22-7 608-2Z	3
37	GEIPIISO4026M6X10	Hexagon Socket Set Screw with Flat Point ISO 4026 - M6X10	3
38	VTCEIISO4762M5X16	Hexagon Socket Head Cap Screw ISO 4762 - M5X16	3
39	COM.001118	O-RING NBR 2.62X7.59 3030	4
40	SCISO87344X18	Parallel Pin ISO 8734 - 4X18	4
41	VTCEIISO4762M3X25	Hexagon Socket Head Cap Screw ISO 4762 - M3X25	4
42	GEIPIISO4026M5X5	Hexagon Socket Set Screw with Flat Point ISO 4026 - M5X5	6
43	VTSIISO2009M3X6	Slotted Flat Countersunk Head Screw ISO 2009 - M3X6	8
44	SIP.P.001662	HEAD EJECTOR PIN D10 L.80	2

	Code - Description :	Unit model :
	SIP.A.000084 - PULLER ASSEMBLY	6044-SPCH/LS



POS.	CODE	DESCRIPTION	Q.TY
1	COM.000979	TOUCHSCREEN MONITOR LR-10	1
2	SIP.P.000521	TOUCHSCREEN COVER	1
3	VTSEIISO4762M8X30	Hexagon Socket Countersunk Head Screw ISO 10642 - M8X30	1
4	VTCEIISO4762M4X20	Hexagon Socket Head Cap Screw ISO 4762 - M4X20	4
5	RPISO70896	Plain Washer - 6	1
6	SIP.P.000517	TOUCHSCREEN SHELL	1
7	SIP.P.000590	MONITOR SUPPORT	1
8	SIP.P.000591	MONITOR FLANGE	1
9	VTCEIISO4762M6X16	Hexagon Socket Head Cap Screw ISO 4762 - M6X16	1

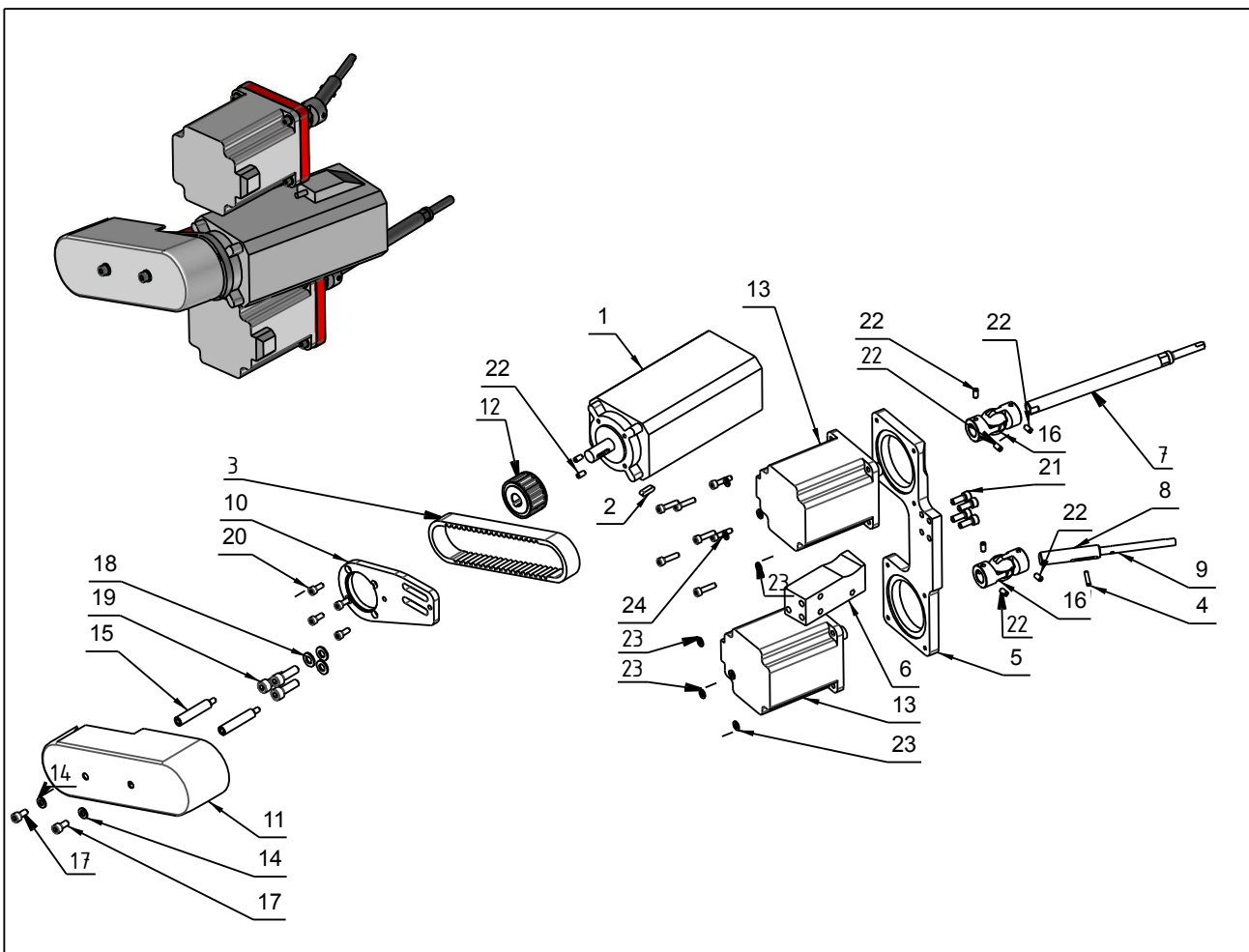


Code - Description :

SIP.A.000124 - MONITOR ASSEMBLY

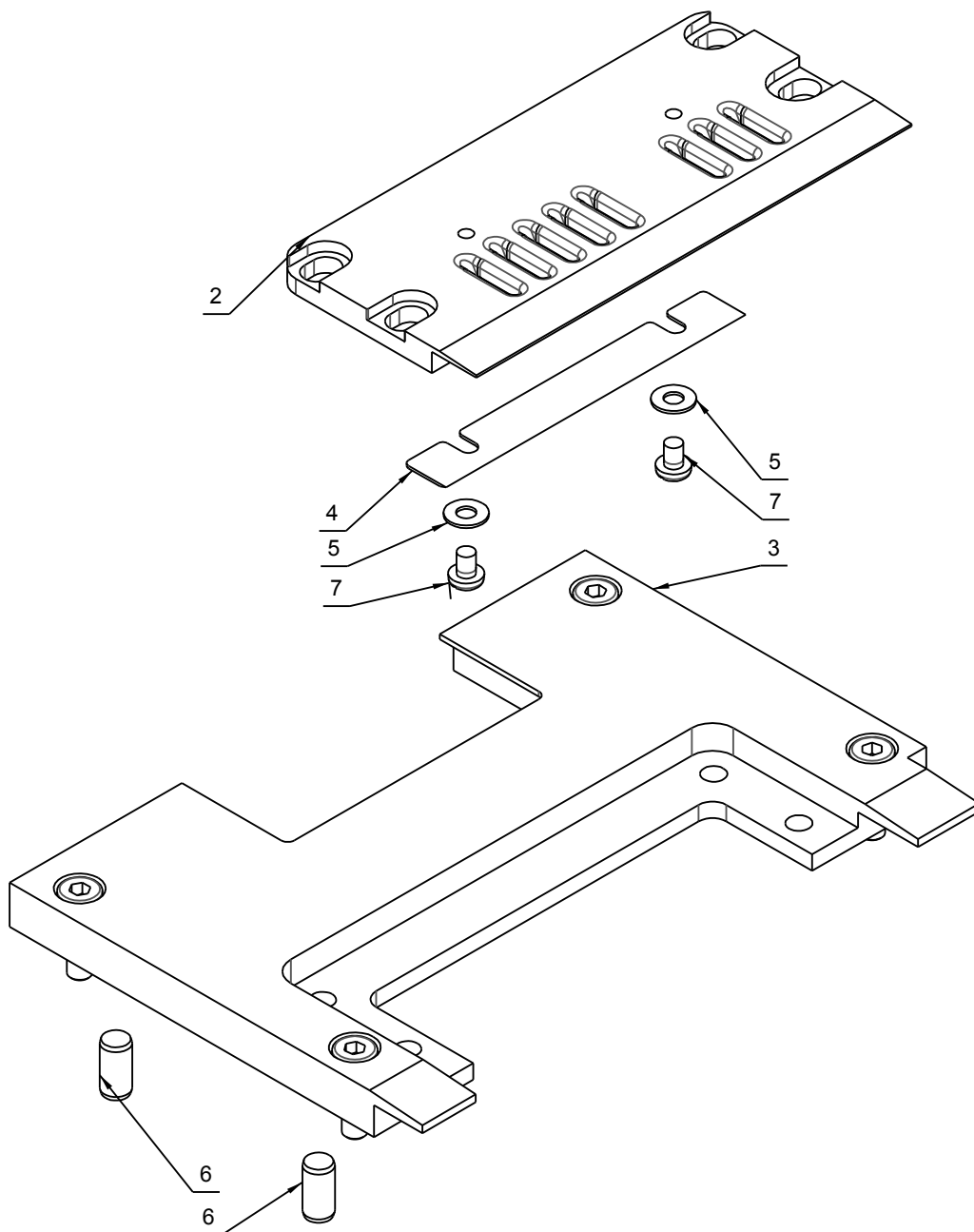
Unit model :

6044-SPCH/LS



POS.	CODE	DESCRIPTION	Q.TY
1	COM.000309	EFKA STEPPING MOTOR DC1550	1
2	COM.000313	PARALLEL KEY UNI6604 A 5X5X18	1
3	COM.001301	BELT OMEGA HTD 480-8M 20	1
4	SCISO87344X16	Parallel Pin ISO 8734 - 4X16	1
5	SIP.P.000529	MOTOR PLATE	1
6	SIP.P.000533	BRACKET INTERFACE	1
7	SIP.P.000554	TRANSMISSION CIRCLE BAR	1
8	SIP.P.000555	PIPE FOR TRANSMISSION	1
9	SIP.P.000556	CIRCLE ROD FOR TRANSMISSION	1
10	SIP.P.000557	MAIN MOTOR SUPPORT	1
11	SIP.P.000573	TRANSMISSION COVER	1
12	SIP.P.001609	TOOTHED PULLEY HTD Z18 8M	1
13	COM.000325	SANYODENKY MOTOR SM2862-5155	2
14	RPISO70896	Plain Washer - 6	2
15	SIP.P.000574	COVER SPACER	2
16	SIP.P.001013	CARDAN JOINT G26P	2
17	VTCEIISO4762M6X12	Hexagon Socket Head Cap Screw ISO 4762 - M6X12	2
18	RPISO70898	Plain Washer - 8	3
19	VTCEIISO4762M8X25	Hexagon Socket Head Cap Screw ISO 4762 - M8X25	3
20	VTCEIISO4762M5X12	Hexagon Socket Head Cap Screw ISO 4762 - M5X12	4
21	VTCEIISO4762M6X16	Hexagon Socket Head Cap Screw ISO 4762 - M6X16	4
22	GEIPIISO4026M5X10	Hexagon Socket Set Screw with Flat Point ISO 4026 - M5X10	8
23	RPISO70895	Plain Washer - 5	8
24	VTCEIISO4762M5X20	Hexagon Socket Head Cap Screw ISO 4762 - M5X20	8

	Code - Description :	Unit model :
	SIP.A.000130 - MOTORS ASSEMBLY	6044-SPCH/LS



POS.	CODE	DESCRIPTION	Q.TY
1	VTCEIISO4762M4X12	Hexagon Socket Head Cap Screw ISO 4762 - M4X12	4
2	SIP.P.000541	NEEDLE PLATE CH 2-1_4	1
3	SIP.P.000543	NEEDLE PLATE SUPPORT CH	1
4	SIP.P.000545	NEEDLE PLATE CUTTER	1
5	RPISO70893	Plain Washer - 3	2
6	SCISO87345X10	Parallel Pin ISO 8734 - 5X10	2
7	VTCCIISO1580M3X4	Slotted Large Cheese Head Screw ISO 1580 - M3X4	2

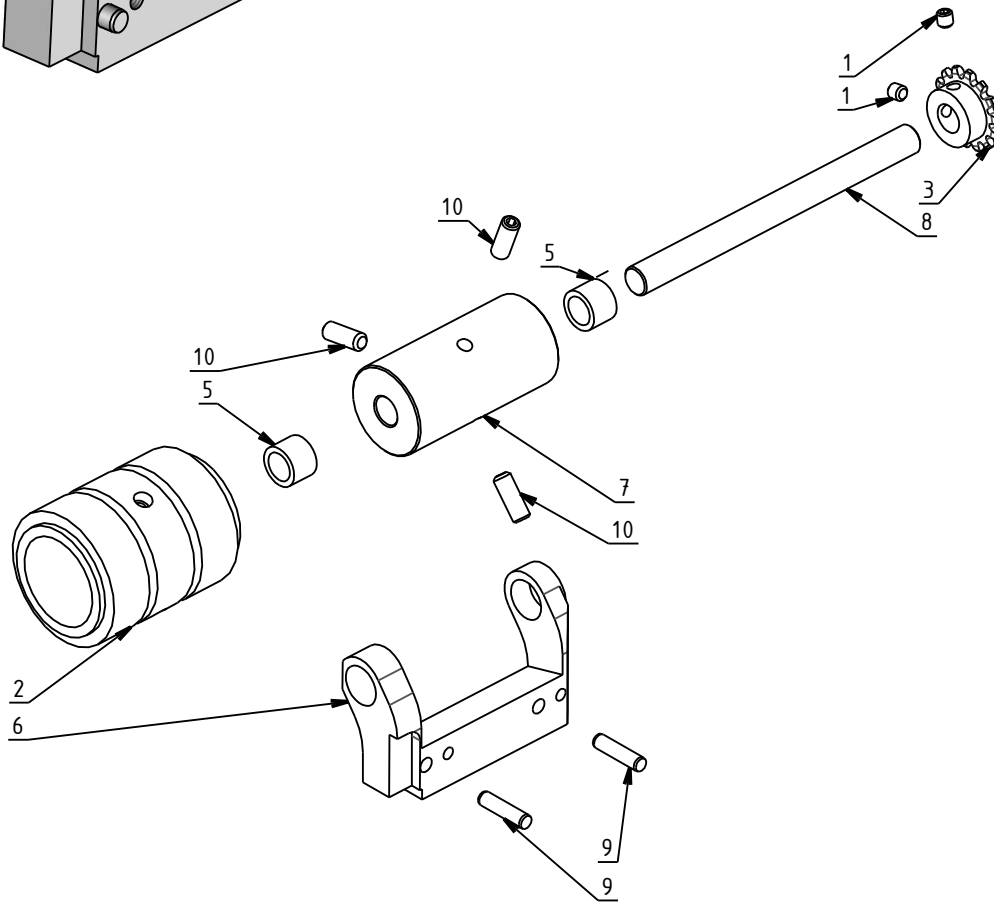
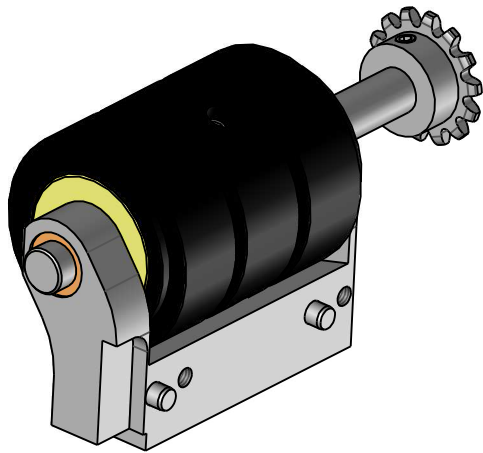


Code - Description :

SIP.A.000133 - NEEDLE PLATE ASSEMBLY CH

Unit model :

6044-SPCH



POS.	CODE	DESCRIPTION	Q.TY
1	GEIPISO4026M5X5	Hexagon Socket Set Screw with Flat Point ISO 4026 - M5X5	2
2	02-011	LOWER ROLLER CH	1
3	SIP.P.001008	PINION ISO606 P6 Z14	1
5	COM.000760	BRONZE BUSHING 10-14-10	2
6	SIP.P.000547	SHAFT SUPPORT ROLLER	1
7	SIP.P.000549	LOWER SLEEVE CH	1
8	SIP.P.000550	LOWER ROLL SHAFT	1
9	SCISO87345X20	Parallel Pin ISO 8734 - 5X20	2
10	GEIPISO4026M6X16	Hexagon Socket Set Screw with Flat Point ISO 4026 - M6X16	3

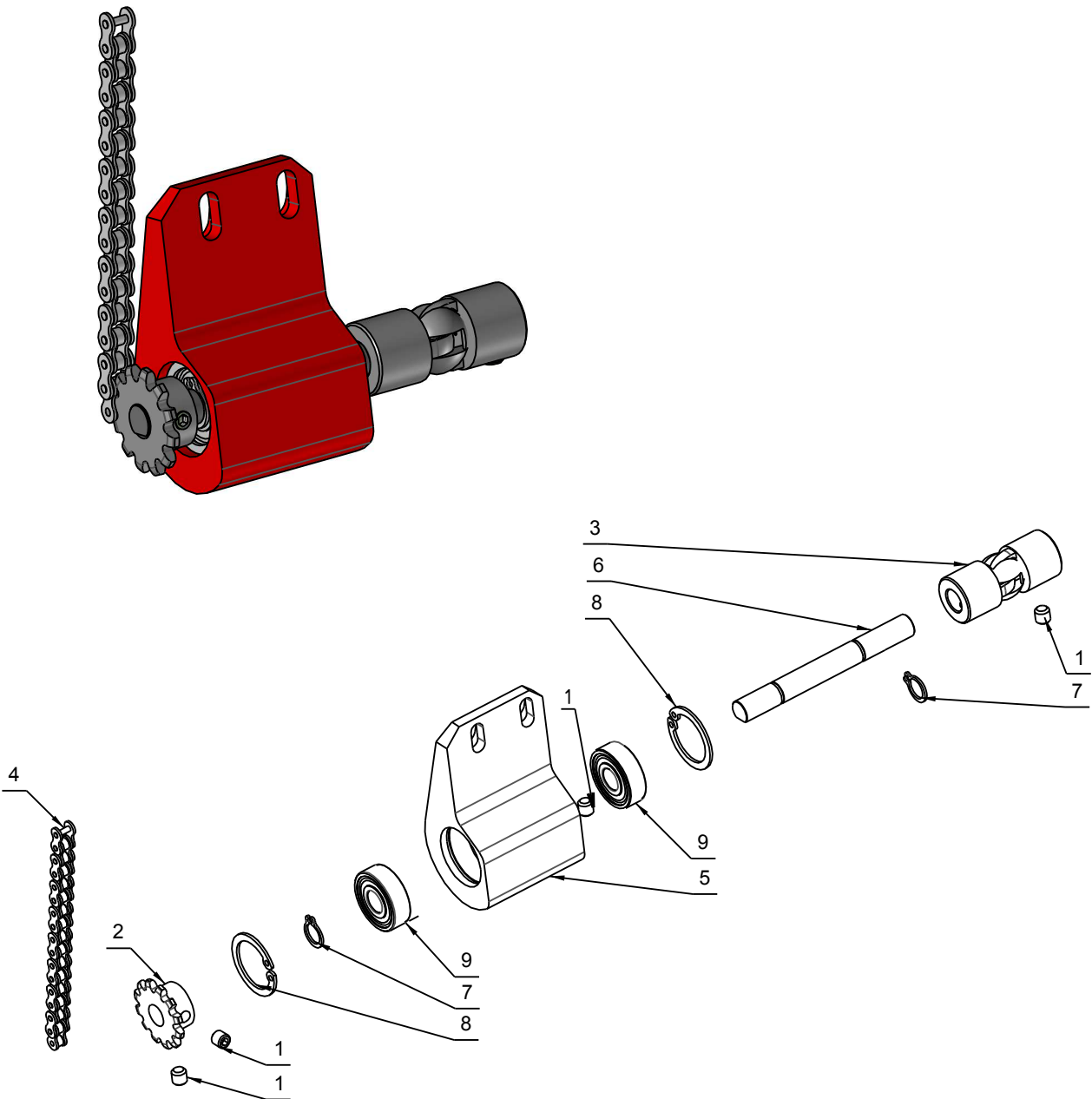


Code - Description :

SIP.A.000134 - LOWER ROLL ASSEMBLY CH

Unit model :

6044-SPCH



POS.	CODE	DESCRIPTION	Q.TY
1	GEIPISO4026M5X5	Hexagon Socket Set Screw with Flat Point ISO 4026 - M5X5	4
2	SIP.P.001007	PINION Z12 P6	1
3	SIP.P.001012	CARDAN JOINT G17P	1
4	COM.000660	SINGLE CHAIN EUROPEAN ISO606 04-1	1
5	SIP.P.000552	LOWER PINION SUPPORT	1
6	SIP.P.000553	LOWER PINION SHAFT	1
7	COM.000318	SEEGER-UNI7435-D8	2
8	COM.000378	SEEGER FOR HOLES D22 UNI7437	2
9	COM.000634	ROLL BEARING 8-22-7 608-2Z	2

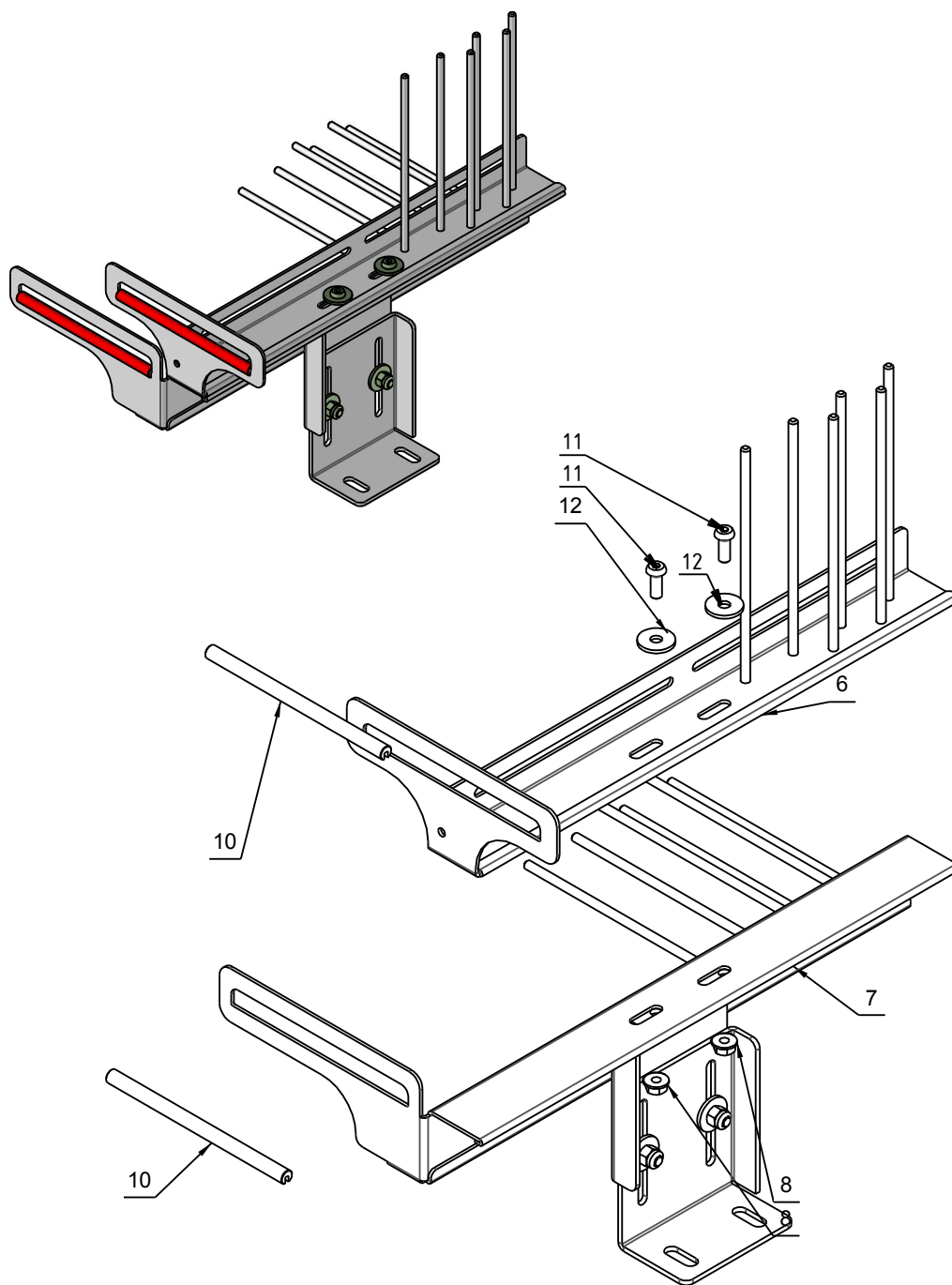


Code - Description :


SIP.A.000135 - LOWER TRANSMISSION ASSEMBLY

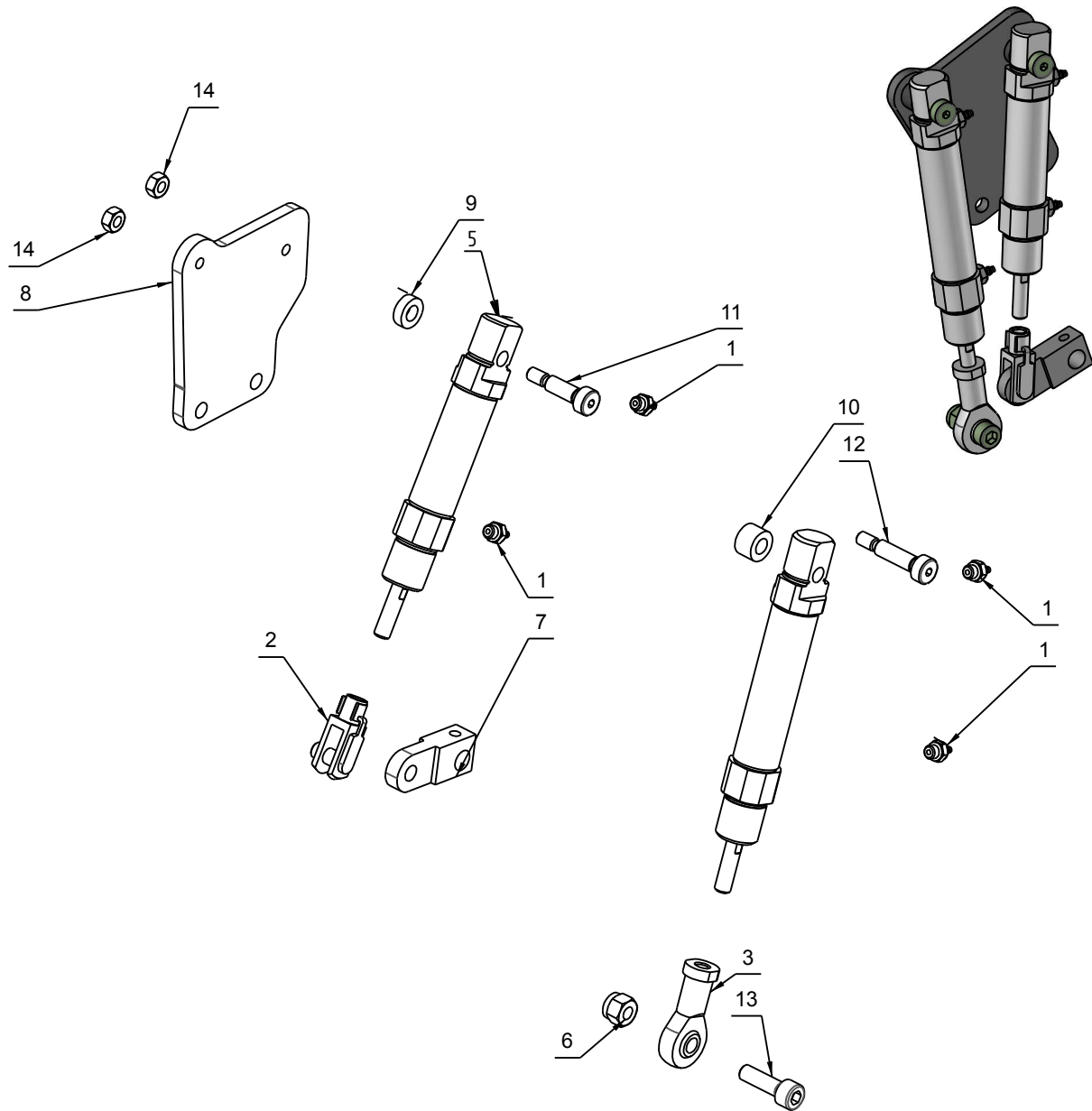
Unit model :

6044-SPCH/LS



POS.	CODE	DESCRIPTION	Q.TY
1	SIP.P.000884	BELT GUIDE LOWER SUPPORT	1
2	SIP.P.000886	BELT GUIDE UPPER SUPPORT	1
3	DEABISO7040M6	Hexagon Self Locking Nut with Plastic Insert ISO 7040 - M6	2
4	VTCEISO4762M6X20	Hexagon Socket Head Cap Screw ISO 4762 - M6X20	2
6	SIP.P.000585	UPPER BELT GUIDE	1
7	SIP.P.000587	LOWER BELT GUIDE	1
8	DEFISO4161M6	Hexagon Nut with Flange ISO 4161 - M6	2
10	SIP.P.000694	TEXTILE SLIDE	2
11	VTBEISO7380M6X16	Hexagon Socket Pan Head Cap Screw ISO 7380 - M6X16	2
12	RPLISO7093-6	Large Plain Washer - 6	6

	Code - Description :	Unit model :
	SIP.A.000148 - BELT GUIDE ASSEMBLY	6044-SPCH/LS



POS.	CODE	DESCRIPTION	Q.TY
1	COM.000596	MINI FITTING M-5AU-4	4
2	COM.000340	FORC JOINT GKM6-12	1
3	COM.000393	SFERICAL INTERFACE KJ6DM6	1
4	COM.000414	CYLINDER C85N16-30	1
5	COM.000644	SMC CYLINDER C85N16-15	1
6	DEABISO7040M6	Hexagon Self Locking Nut with Plastic Insert ISO 7040 - M6	1
7	SIP.P.000560	THREAD TENSIONING CLAMP	1
8	SIP.P.000577	CYLINDERS SUPPORT CH	1
9	SIP.P.000731	PISTON SPACER 4	1
10	SIP.P.000732	PISTON SPACER 8 mm	1
11	VTCEIGRISO73796X16	Hexagon Socket Head Shoulder Screw ISO 7379 - 6X16	1
12	VTCEIGRISO73796X20	Hexagon Socket Head Shoulder Screw ISO 7379 - 6X20	1
13	VTCEISO4762M6X20	Hexagon Socket Head Cap Screw ISO 4762 - M6X20	1
14	DEISO4032M5	Hexagon Nut ISO 4032 - M5	2

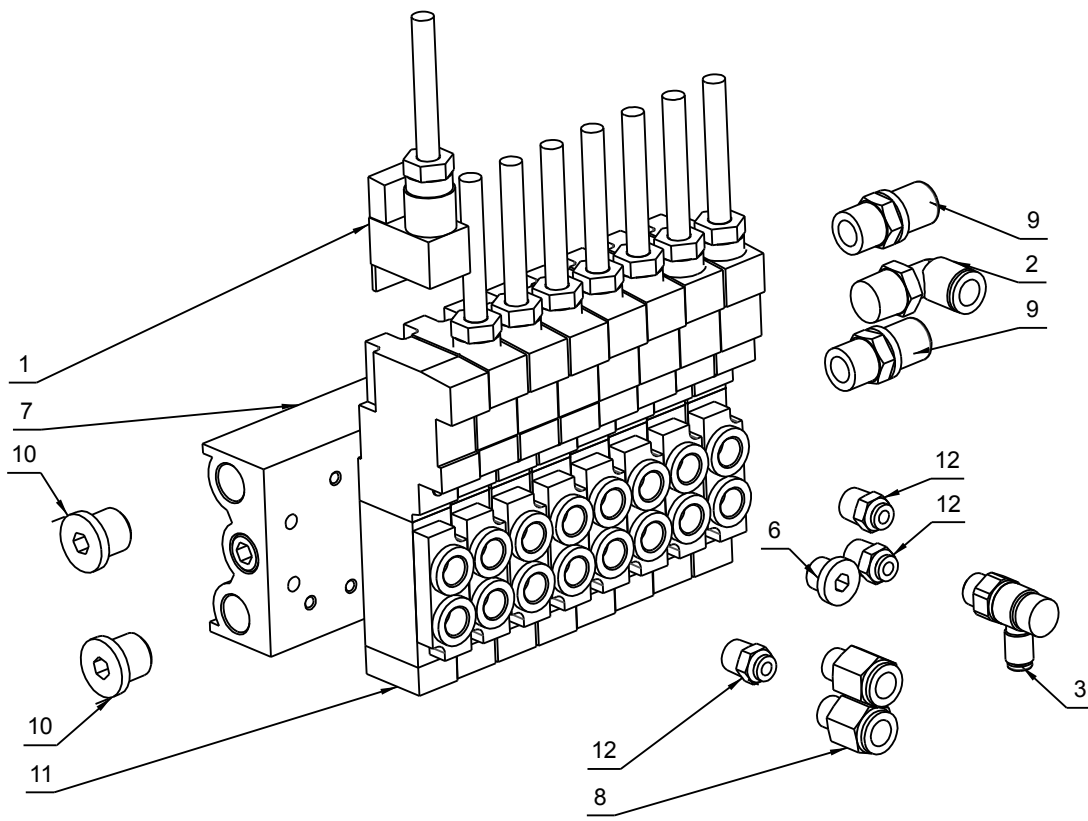


Code - Description :

SIP.A.000142 - CYLINDERS ASSEMBLY CH

Unit model :

6044-SPCH

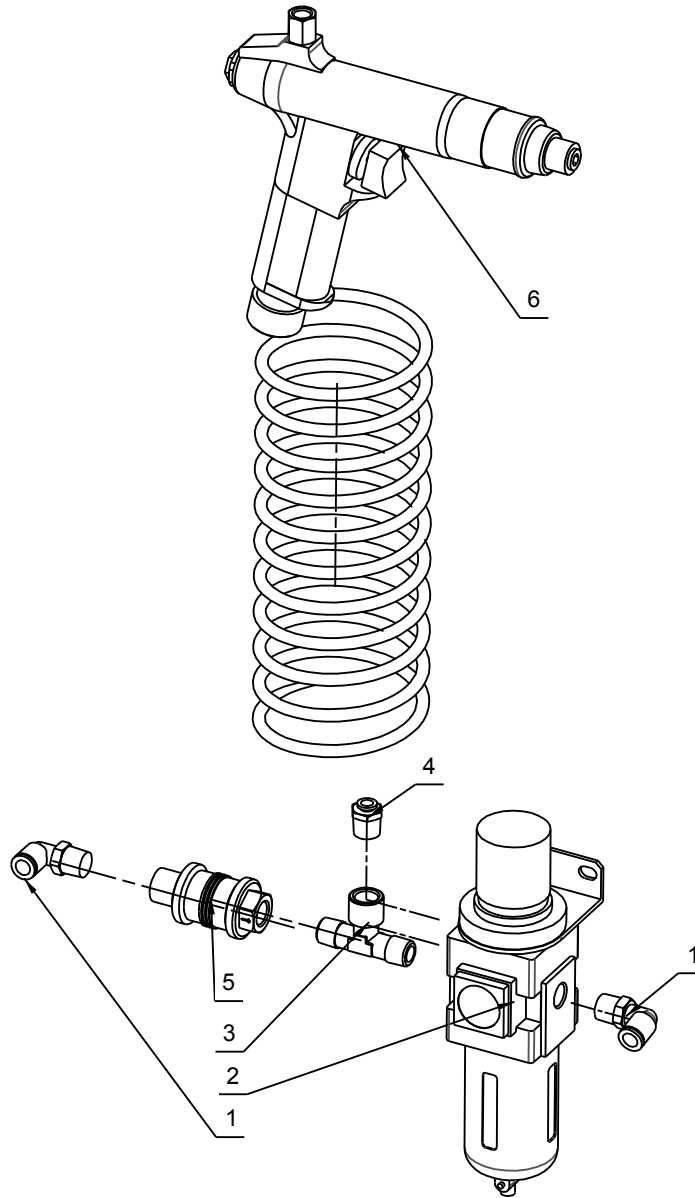


POS.	CODE	DESCRIPTION	Q.TY
1	COM.000449	SOLENOID VALVE CONNECTOR DIN 43650C-S/LED 1MT	8
2	COM.000329	FITTING KQ2L08-02AS	1
3	COM.000383	FLOW REGULATOR AS2201F-01-04SA	1
6	COM.000427	PN - CAP DIN908 1/8"	2
7	COM.000618	MANIFOLD BASE SS5Y5-20-08-00F-Q	1
8	COM.000335	FITTING KQ2H08-01AS	2
9	COM.000419	MUFFLER 1/4"	2
10	COM.000426	PN - CAP DIN908 1/4"	2
11	COM.000328	SOLENOID VALVE SY5120-5YO-01F-Q	8
12	COM.000333	FITTING KQ2H04-01AS	11



Code - Description :
SIP.A.000126 - SOLENOID VALVE ASSEMBLY

Unit model :
6044-SPCH/LS



POS.	CODE	DESCRIPTION	Q.TY
1	COM.000329	FITTING KQ2L08-02AS	2
2	COM.000342	AIR REGULATOR AW30-F02BE-B	1
3	COM.000343	TEE MFM 1/4 1/4	1
4	COM.000344	FITTING KQ2H06-02AS	1
5	COM.000430	PN - SLIDING VALVE 1/4"	1
6	COM.000448	AIR HOSE D6 + AIR GUN	1

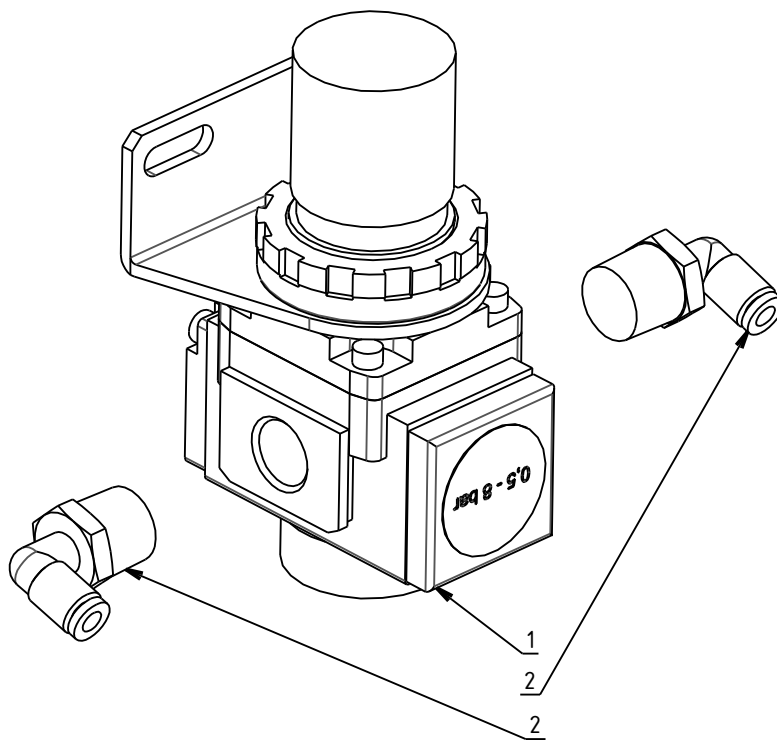


Code - Description :

SIP.A.000042 - AIR FILTER ASSEMBLY

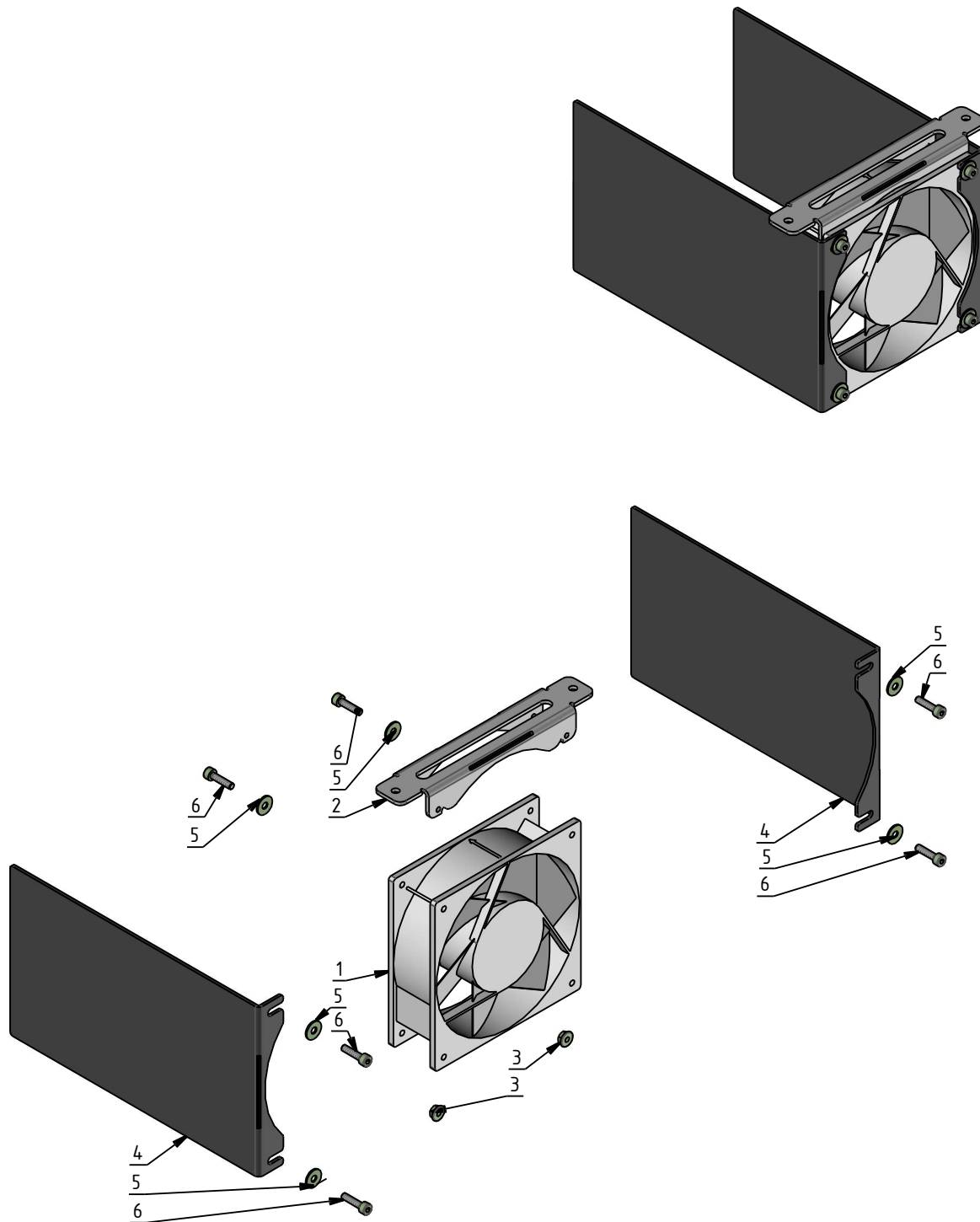
Unit model :

-




POS.	CODE	DESCRIPTION	Q.TY
1	COM.000331	AIR REGULATOR AR20K-F02BE	1
2	COM.000336	FITTING KQ2L04-02AS	2

	Code - Description :	Unit model :
	SIP.A.000041 - AIR REGULATOR ASSEMBLY	-



POS.	CODE	DESCRIPTION	Q.TY
1	COM.000978	AXIAL FAN 119 mm 180 m3/h	1
2	SIP.P.001038	FAN SUPPORT	1
3	DEFISO4161M4	Hexagon Nut with Flange ISO 4161 - M4	2
4	SIP.P.001056	BULKHEAD CONVEYOR	2
5	RPLISO7093-4	Large Plain Washer - 4	6
6	VTCEISO4762M4X16	Hexagon Socket Head Cap Screw ISO 4762 - M4X16	6

	Code - Description :	Unit model :
	SIP.A.000259 - FAN ASSEMBLY	6044-SPCH/LS