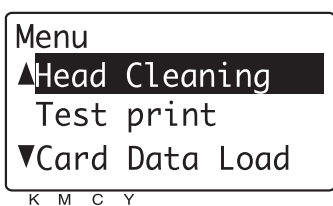

5-1. Cleaning

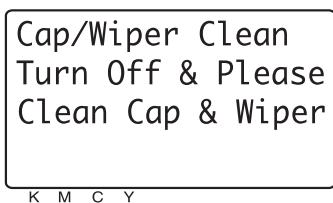
5-1-1. Cleaning the Print Head Cap and Wiper Blade

Always clean the Print Head Cap and Wiper Blade when replacing the Wiper Cleaner. The Wiper Cleaner is attached to the Yellow Ink Cartridge, and it needs to be replaced when the Yellow Ink Cartridge is replaced.

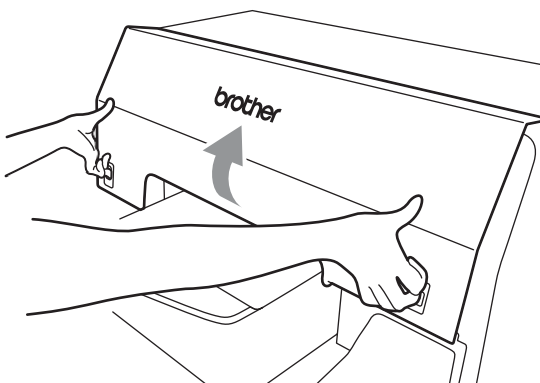
- (1) Turn on GT-541 if it is off.
- (2) Press the OK Button to open the Menu Display.



- (3) Press the Up/Down Button to select the "Maintenance", and then press the OK Button.
- (4) Press the Up/Down Button to select the "Cap/Wiper Clean", and then press the OK Button. The following message appears.



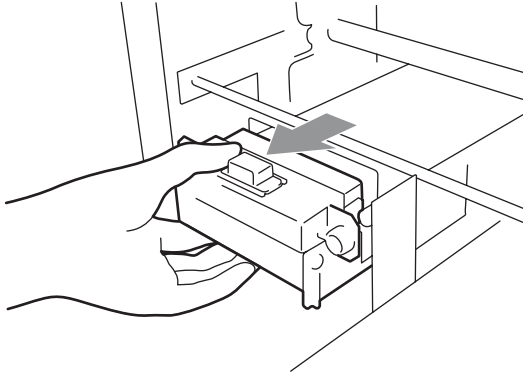
- (5) Turn off GT-541.
- (6) Open the Front Cover by unlocking the Cover Locks.



(7) Pull out the Wiper Cleaner Cassette.

<Note>

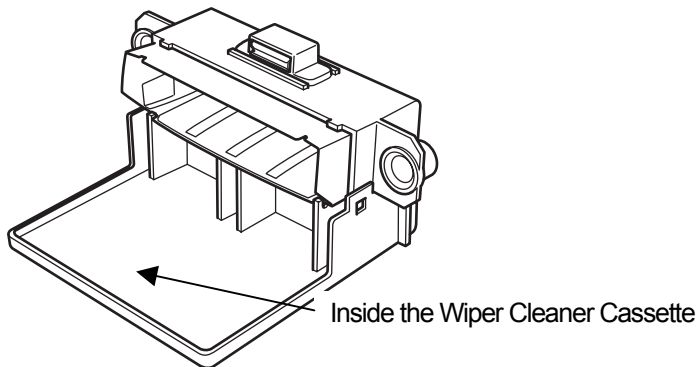
- Do not tilt the Wiper Cleaner Cassette; ink may get on your hands or clothing.
- Do not touch the Clearance Sensor (the bar above the Wiper Cleaner Cassette); it may cause a malfunction.



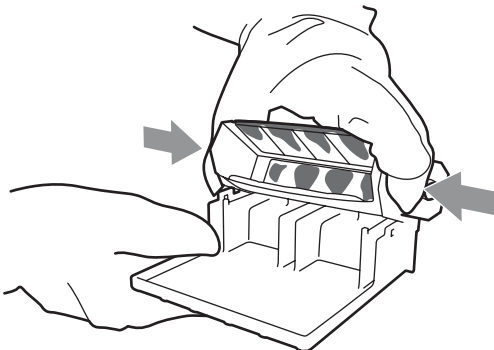
Replacing the Wiper Cleaner

(8) If the ink inside of the Wiper Cleaner Cassette is soiled with ink:

Wear gloves and remove the ink with a dry cloth, and then clean with a cloth damped with water.

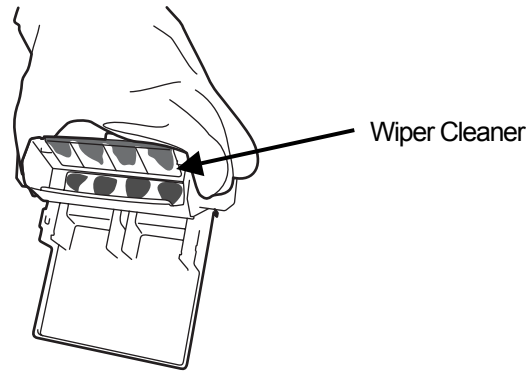


(9) Push both sides of the Wiper Cleaner Cassette to open it.



5. Maintenance

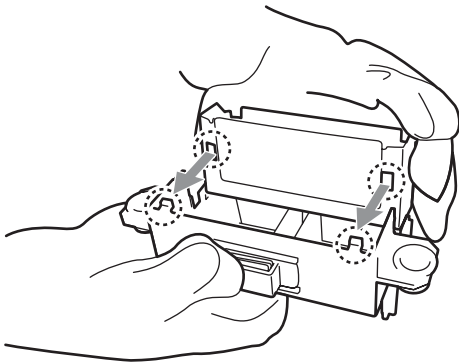
(10) Carefully drop off the used Wiper Cleaner in a trash can/bag by turning it upside down.



<Note>

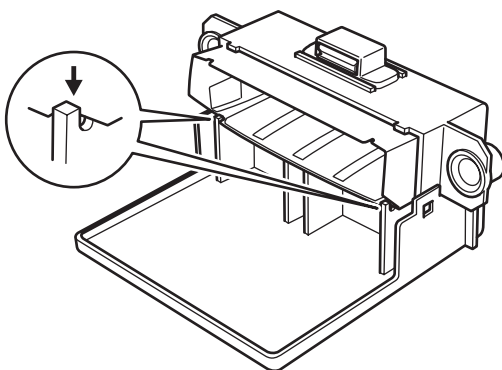
Dispose the used Wiper Cleaner in compliance with your local regulations.

(11) Insert the two projections of the Wiper Cleaner Cassette into the holes on the new Wiper Cleaner.



(12) Close the Wiper Cleaner Cassette.

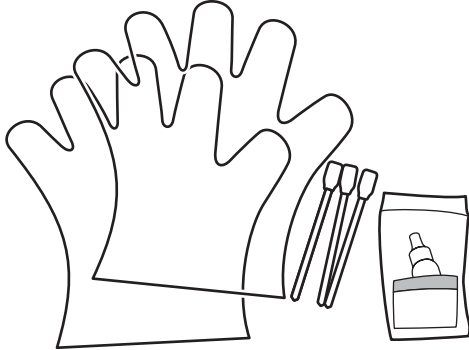
Make sure that the bottom of the Wiper Cleaner is set within the two projections on the Wiper Cleaner Cassette.



Cleaning the Print Head Cap and Wiper Blade

(13) Open the Cap Cleaning Kit. It comes with the new Yellow Ink Cartridge.

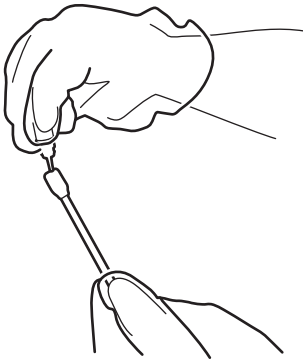
The following items are included.



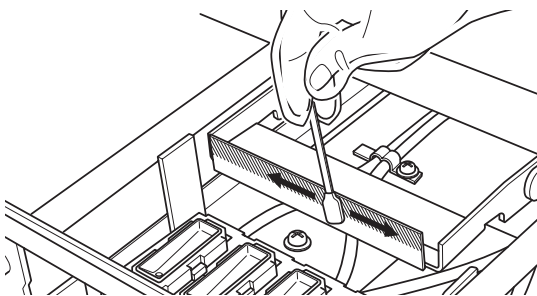
(14) Wear the gloves, and wet both sides of a Clean Applicator with the Wash Liquid.

<Note>

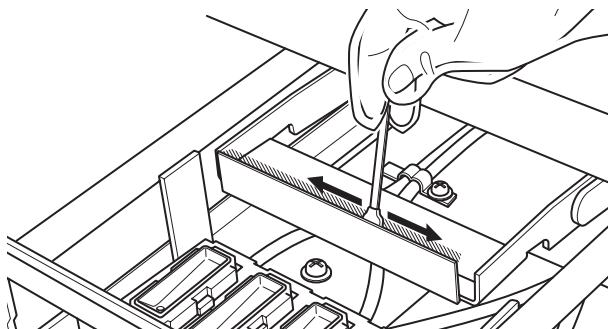
Use only the Wash Liquid included to wet the Clean Applicators; using other liquid will cause damage to the Print Heads.



(15) Use the one side of wet Clean Applicator to clean the front side of the Wiper Blade.



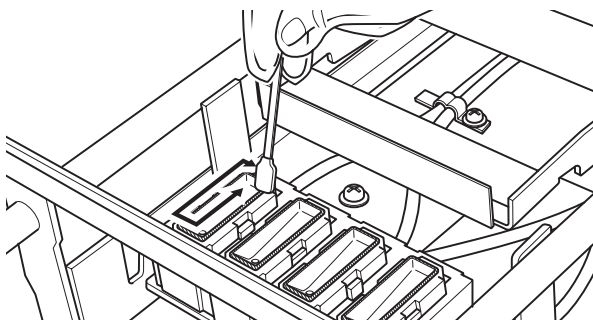
- (16) Use the other side of the wet Clean Applicator to clean the backside of the Wiper Blade.



- (17) Wet other two Clean Applicators and use them to remove ink or dust from the Print Head Caps. Use one side of the Clean Applicator to clean one Print Head Cap.

<Note>

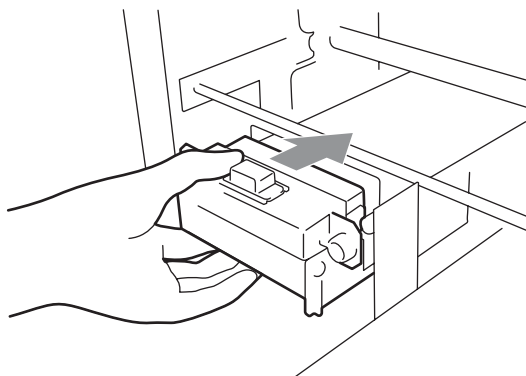
Do not use the dry Clean Applicator; it cannot clean ink or dust. It may damage the Print Head Caps.



- (18) Insert the Wiper Cleaner Cassette straight into GT-541.

<Note>

Do not touch the Clearance Sensor (the bar above the Wiper Cleaner Cassette); it may cause a malfunction.



- (19) Close the Front Cover, and then turn on GT-541.

If GT-541 turns on without any problem, replacement of the Wiper Cleaner Cassette has been completed.

If there is problem (abnormal noise or error), turn off GT-541, and check if the Wiper Cleaner and the Wiper Cleaner Cassette are correctly installed.

- (20) Print and check the Nozzle Check Pattern (see "2-6-3. Test Print").

5-1-2. Cleaning the Print Head Nozzle

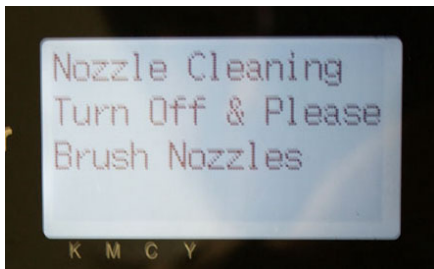
Use the Nozzle Cleaning Kit (SA5885001) to clean the Head Nozzle.
(See the "Maintenance Video" in the Install CD for details.)



<Note>

Cleaning the Print Head Nozzle may cause damage to it.

- (1) Make sure GT-541 is not in the middle of any operation.
- (2) Press the OK Button to display the Menu Display.
- (3) Press the Up/Down Button to select "Maintenance", and then press the OK Button.
- (4) Press the Up/Down Button to select "Nozzle Cleaning", and then press the OK Button.
The following message appears.



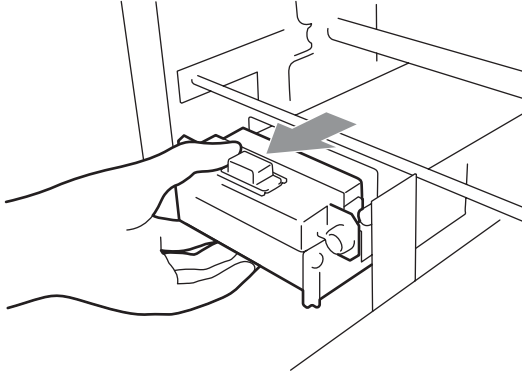
- (5) Turn off GT-541.
- (6) Open the Front Cover as unlocking the Cover Locks.

5. Maintenance

(7) Pull out the Wiper Cleaner Cassette.

<Note>

- Do not tilt the Wiper Cleaner Cassette; ink may get on your hands or clothing.
- Do not touch the Clearance Sensor (the bar above the Wiper Cleaner Cassette); it may cause a malfunction.



(8) Wear the gloves and wet a Clean Applicator with the Wash Liquid (all are included in the Nozzle Cleaning Kit).



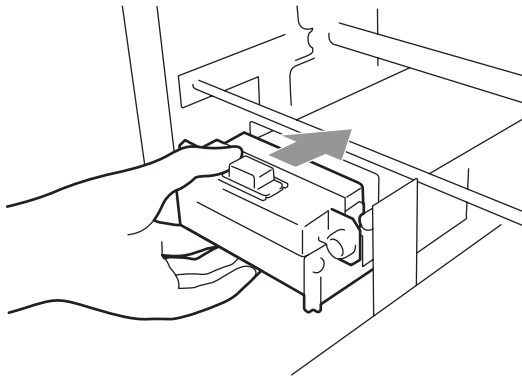
- (9) Use the wet Clean Applicator to wipe the Print Head Nozzle by moving it back and forth five times.
Use one Clean Applicator wet with the Wash Liquid to clean the one Print Head Nozzle.



- (10) Insert the Wiper Cleaner Cassette straight into GT-541.

<Note>

Do not touch the Clearance Sensor (the bar above the Wiper Cleaner Cassette); it may cause a malfunction.



- (11) Close the Front Cover, and then turn on GT-541.