



**P-touch**

**PARTS REFERENCE LIST**

**MODEL: PT-9700PC**

**PT-9800PCN**

**MECHANISMS & ELECTRONICS**

# NOTES FOR USING THIS PARTS REFERENCE LIST

1. When ordering parts, inform us of the following items:

- (1) Code
- (2) Q'ty
- (3) Description
- (4) Symbol (PCB No., Revision, and Parts location mounted on the PCB.)

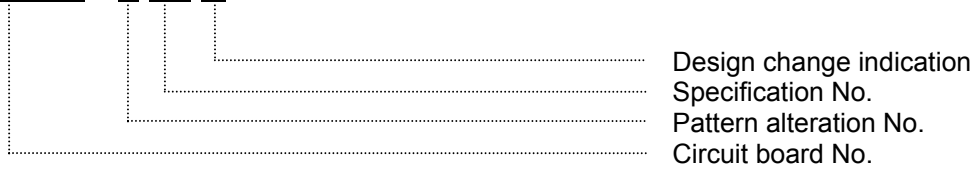
Note : Orders without Parts Code or Tool No. cannot be accepted.

[ Example ]

REF. NO.	SYMBOL	CODE	Q'TY	DESCRIPTION	REMARKS
					R

Revision No. : marked on the printed circuit board.

B55L155 - 1 01 A



2. Design-changed parts:

When the parts are design-changed, any one of the following symbols is indicated in the REMARKS column.

- CHNG#A : compatible between old and new
- CHNG#B : replaceable from old to new
- CHNG#D : incompatible
- ADD : newly added

3. Parts marked with an "R" in the REMARKS column are recommended spare parts.

4. The original of this list was made based on the information as of December 2009.

5. Parts are subject to change in design without prior notice.

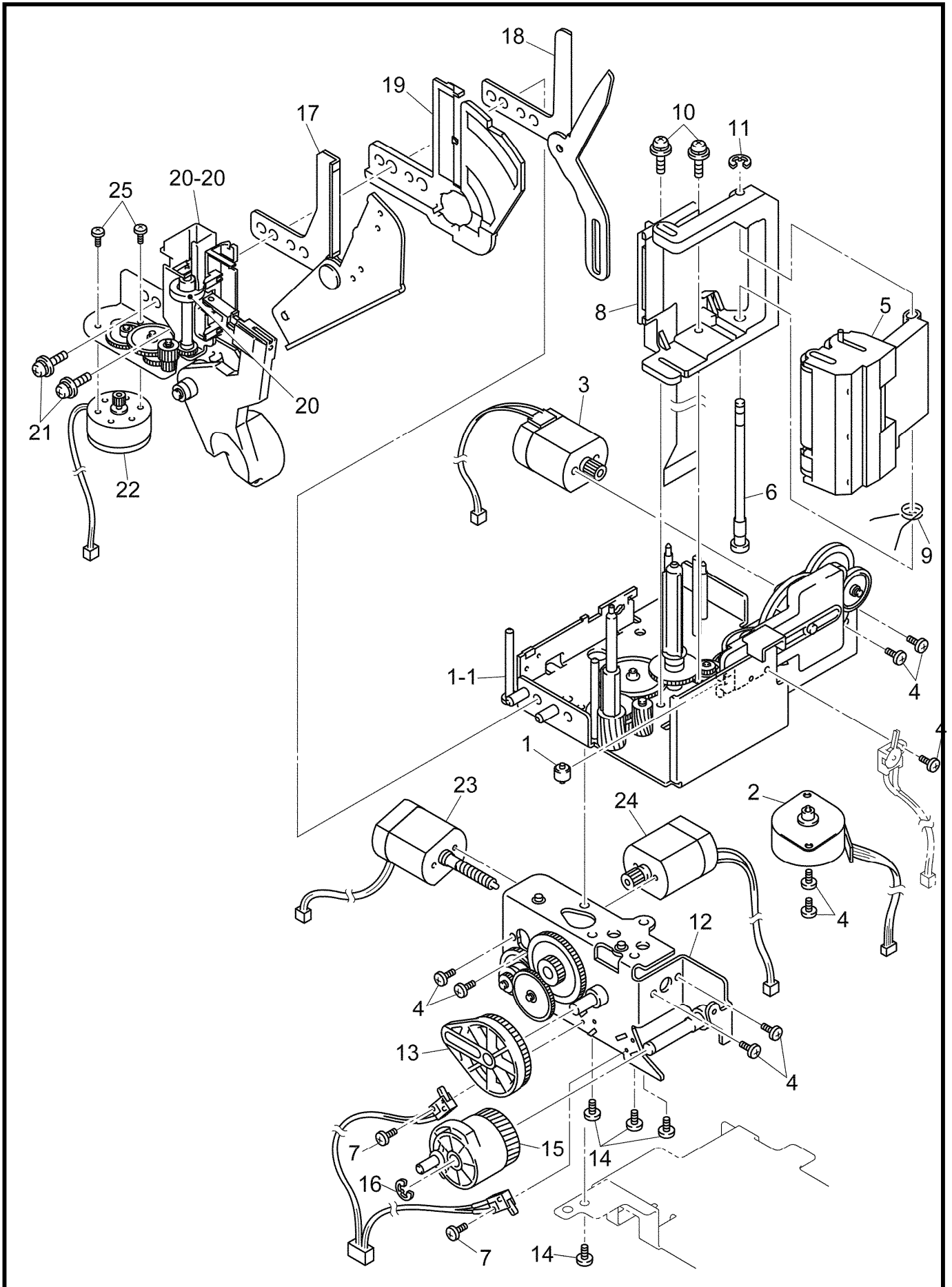
## COUNTRIES

U.S.A ---- USA	SWITZERLAND ---- CHE	TAIWAN ---- TWN
GERMANY ---- DEU	DENMARK ---- DNK	SOUTH AFRICA ---- ZAF
CANADA ---- CAN	HONG KONG ---- HKG	UNITED ARAB EMIRATES ---- ARE
UNITED KINGDOM ---- GBR	AUSTRALIA ---- AUS	KOREA ---- KOR
FRANCE ---- FRA	SINGAPORE ---- SGP	CHINA ---- CHN
BRAZIL ---- BRA	ARGENTINA ---- ARG	HUNGARY ---- HUN
RUSSIA ---- RUS	SPAIN ---- ESP	
INDIA ---- IND	THAILAND ---- THA	

# CONTENTS

- 1 . PRINT MECHANISM ..... 1
- 2 . COVERS .....3
- 3 . MAIN PCB .....6
- 4 . SENSORS .....8
- 5 . POWER SUPPLY PCB .....8
- 6 . ACCESSORY ..... 10
- 7 . PRINTED MATTER .....10
- 8 . PACKING ..... 13

# 1. PRINT MECHANISM

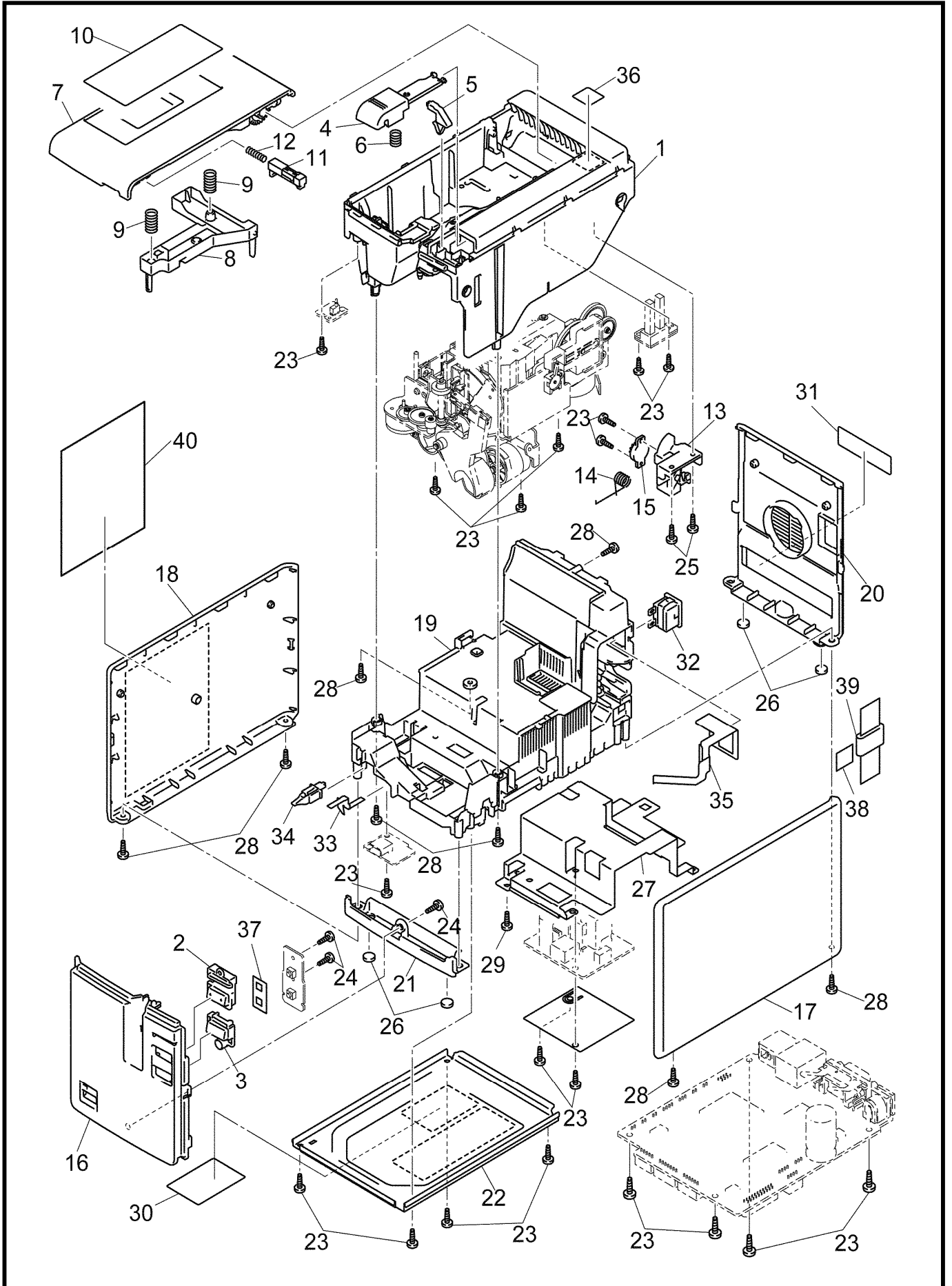


1 . PRINT MECHANISM

REF.NO.	CODE	Q'TY	DESCRIPTION	REMARKS
1-1	LW4098001	1	CHASSIS 9700 ASSY (EXCEPT FOR CHN)	ADD
1-1	LAB052001	1	CHASSIS 9700 ASSY CHN (CHN)	
1	UB5507000	1	RELEASE ROD ROLLER	
2	LW4648001	1	TAPE FEED MOTOR ASSY 9700 (SP)	
3	LN0914001	1	RELEASE MOTOR ASSY	
4	UB3848001	9	SCREW, PAN M2.6X3.5	
5	LA8984001	1	ROLLER HOLDER 3600 (SP)	
6	UT0895001	1	ROLLER HOLDER SHAFT	
7	UT0855001	2	SCREW, PAN M1.7X6	
8	LA2071001	1	HEAD ASSY KSH384 BW3 (SP)	
9	UT0901001	1	ROLLER HOLDER RELEASE SPRING	
10	0A4300805	2	SCREW, PAN (S/P WASHER) M3X8	
11	048025346	1	RETAINING RING, E2.5	
12	LN0917001	1	HALF FRAME ASSY	
13	UT0917001	1	HALF ROCK GEAR	
14	060300416	4	SCREW, BIND M3X4	
15	LW2298001	1	CUTTER HELICAL GEAR ASSY 9500	
16	048040346	1	RETAINING RING, E4	
17	LN0925001	1	HALF CUTTER ASSY 9500	
18	LN2829001	1	CUTTER ASSY 9500 (SP)	
19	LN0927001	1	HALF SPACER	
20-20	LW4107001	1	EJECT UNIT ASSY 9700	
20	LA8241001	1	EJECT RUBBER	
21	0A4401205	2	SCREW, PAN (S/P WASHER) M4X12	
22	LW4085001	1	EJECT MOTOR ASSY 9700	
23	LN0943001	1	FULL CUTTER MOTOR ASSY	
24	LN0948001	1	HALF CUTTER MOTOR ASSY	
25	LA8420001	2	SCREW, PAN M1.7X3	

MODEL PT-9700PC/9800PCN 8V2-632/633-045

## 2. COVERS



MODEL PT-9700PC/9800PCN 8V2-632/633-061

2 . COVERS

REF.NO.	CODE	Q'TY	DESCRIPTION	REMARKS
1	LAB105001	1	BODY COVER 9700 (PT-9700PC:EXCEPT FOR CHN)	CHNG#B
1	LAB053001	1	BODY COVER 9700 CHN (PT-9700PC:CHN)	ADD
1	LAB105002	1	BODY COVER 9700 (PT-9800PCN:EXCEPT FOR CHN)	CHNG#B
1	LAB053002	1	BODY COVER 9700 CHN (PT-9800PCN:CHN)	ADD
2	LW4065001	1	PS SWITCH BUTTON 9700	
3	LW4066001	1	CUT FEED BUTTON 9700 (PT-9700PC)	
3	LW4066002	1	CUT FEED BUTTON 9700 (PT-9800PCN)	
4	LW4067001	1	COVER OPEN BUTTON 9700 (PT-9700PC)	
4	LW4067002	1	COVER OPEN BUTTON 9700 (PT-9800PCN)	
5	UT0941001	1	COVER BUTTON ACTUATOR	
6	LN1486001	1	COVER BUTTON SPRING	
7	LW4068001	1	CASSETTE COVER 9700 (PT-9700PC)	
7	LW4068002	1	CASSETTE COVER 9700 (PT-9800PCN)	
8	LW4069001	1	CASSETTE PRESSER 9700 (PT-9700PC)	
8	LW4069002	1	CASSETTE PRESSER 9700 (PT-9800PCN)	
9	LN0958001	2	CASSETTE SPRING 9500	
10	LW4105001	1	TAPE PANEL 9700 (PT-9700PC:USA/CAN/BRA/IND/HKG/AUS/SGP/ARG/THA/TWN/ZAF/ARE/KOR)	
10	LAC663001	1	TAPE PANEL 9700 EU (DEU/GBR/FRA/RUS/CHE/DNK/ESP/HUN)	ADD
10	LW4188001	1	TAPE PANEL 9700 JP (PT-9700PC:CHN)	
10	LW4256001	1	TAPE PANEL 9800 (PT-9800PCN:USA/CAN/BRA/HKG/AUS/SGP/ARG/THA/TWN/ZAF/ARE/KOR)	
10	LAC664001	1	TAPE PANEL 9800 EU (DEU/GBR/FRA/CHE/DNK/ESP/HUN)	ADD
10	LW4250001	1	TAPE PANEL 9800 JP (PT-9800PCN:CHN)	
11	UT0995001	1	COVER LOCK ACTUATOR	
12	UT0996001	1	COVER LOCK SPRING	
13	LW4071001	1	CASSETTE COVER BRACKET 9700	
14	LW4087001	1	COVER OPEN SPRING 9700	
15	LN0962001	1	DAMPER 9500	
16	LW4072001	1	FRONT COVER 9700 (PT-9700PC)	
16	LW4173001	1	FRONT COVER 9800 (PT-9800PCN)	
17	LW4073001	1	SIDE COVER R 9700	
18	LW4074001	1	SIDE COVER L 9700	
19	LW4174001	1	PCB HOLDER 9800	
20	LW4076001	1	REAR COVER 9700 (PT-9700PC)	
20	LW4175001	1	REAR COVER 9800 (PT-9800PCN)	
21	LW4077001	1	FRONT BOTTOM COVER 9700	
22	LW4078001	1	BOTTOM PLATE 9700	
23	085270817	18	TAPTITE, BIND B M2.6X8 (PT-9700PC:EXCEPT FOR DEU/GBR/FRA/CHE/DNK/ESP/HUN)	
23	085270817	16	TAPTITE, BIND B M2.6X8 (PT-9700PC:DEU/GBR/FRA/CHE/DNK/ESP/HUN)	
23	085270817	19	TAPTITE, BIND B M2.6X8 (PT-9800PCN:EXCEPT FOR DEU/GBR/FRA/CHE/DNK/ESP/HUN)	
23	085270817	17	TAPTITE, BIND B M2.6X8 (PT-9800PCN:DEU/GBR/FRA/CHE/DNK/ESP/HUN)	
24	085270615	3	TAPTITE, BIND B M2.6X6	
25	085210615	2	TAPTITE, BIND B M2X6	
26	LA5753001	4	LOWER FOOT 2300	
27	LW4080001	1	SHIELD PLATE 9700	
28	085271017	8	TAPTITE, BIND B M2.6X10	
29	UB3848001	1	SCREW, PAN M2.6X3.5	
30	LN2973001	1	CAUTION LABEL 9500 US (USA/IND/HKG/AUS/THA/TWN/ZAF/KOR)	
30	LA8366001	1	CAUTION LABEL 3600 EC (DEU/CAN/GBR/FRA/BRA/RUS/CHE/DNK/ARG/ESP/HUN)	
30	LW5793001	1	CAUTION LABEL 9700 ARE (SGP/ARE)	
31	LN3730001	1	USB STICKER US (USA/IND/AUS/SGP/THA/ZAF/ARE)	
31	LN7111001	1	USB STICKER EU (DEU/CAN/GBR/FRA/BRA/RUS/CHE/DNK/ARG/ESP/HUN)	
31	LW1779001	1	USB STICKER HKG (HKG)	
31	LW1780001	1	USB STICKER TWN (TWN)	
31	LW1781001	1	USB STICKER KOR (KOR)	
31	LN6660001	1	USB STICKER CHN (CHN)	
32	LW4082001	1	POWER SW ASSY 9700 (PT-9800PCN:USA/CAN/BRA/HKG/AUS/SGP/ARG/THA/TWN/ZAF/ARE/KOR/CHN)	
32	LAB238001	1	POWER SW ASSY 9700 ERP (EXCEPT FOR KOR)	ADD
33	LW4083001	1	GROUND SPRING 9800 (PT-9800PCN)	
34	LW4084001	1	LED LENS USB 9800 (PT-9800PCN)	
35	LW4195001	1	SW SHIELD PLATE	
36	LR1837001	1	ENERGY STAR LABEL (PT-9700PC:USA/CAN/PT-9800PCN:EXCEPT FOR ARG/CHN)	

MODEL PT-9700PC/9800PCN 8V2-632/633-061

2 . COVERS

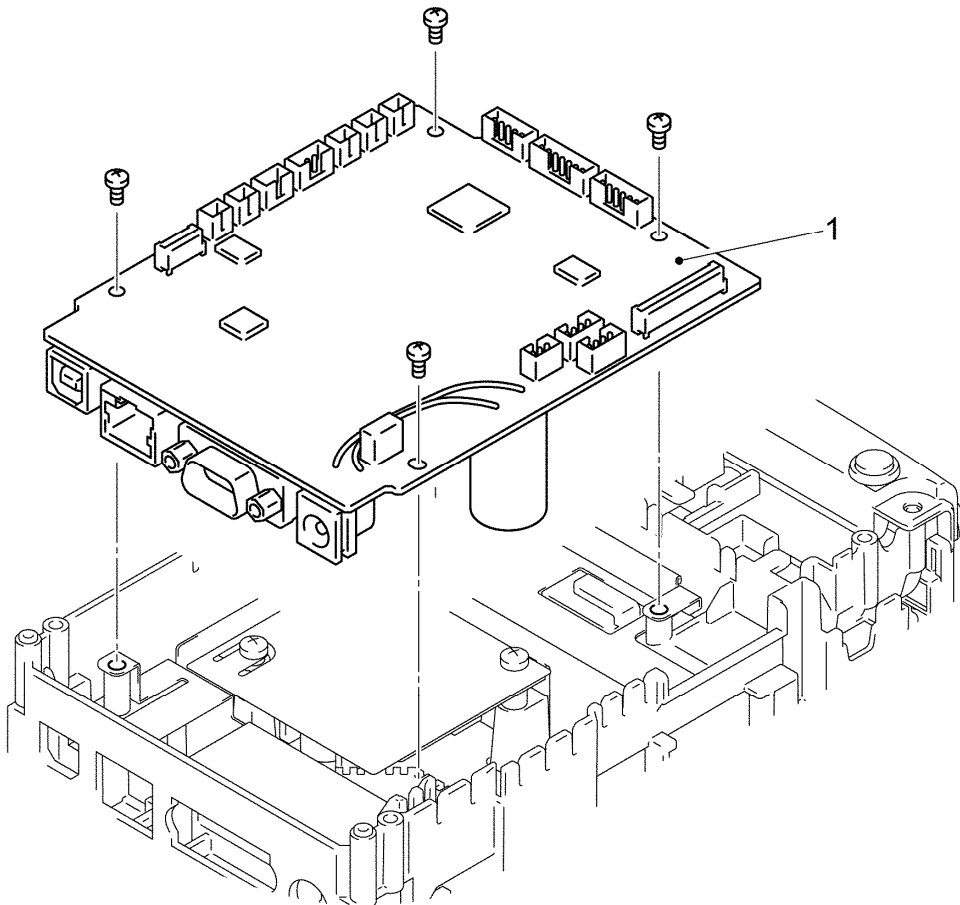
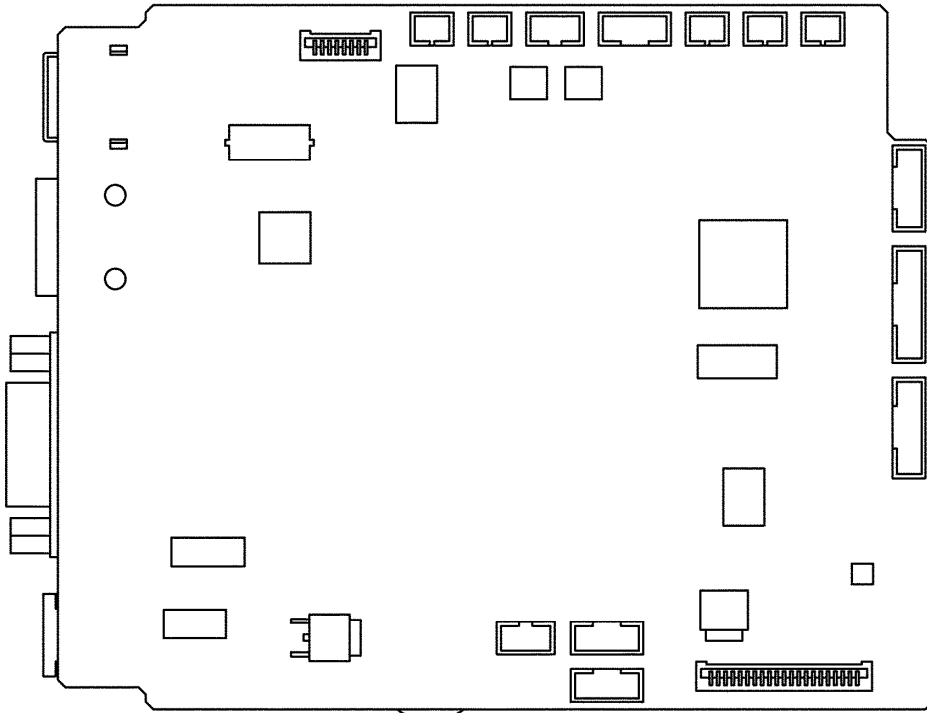
REF.NO.	CODE	Q'TY	DESCRIPTION	REMARKS
37	LW4701001	1	INSULATION SHEET KEY	
38	LW4884001	4	CORE TAPE 9700 (KOR)	
39	XD1129001	1	FERRITE CORE:E04FD110510 (KOR)	
40	LW8777001	1	TZE LINE UP STICKER EU2 (DEU/GBR/FRA/RUS/CHE/DNK/ESP/HUN)	
	LW5791001	1	VOLTAGE LABEL 9700 ARE (SGP/ARE)	
	LW0985001	1	CHINA ROHS STICKER 10 (CHN)	
	LW1476001	1	CHINA PRODUCTION DATE LABEL (CHN)	
	LAD329001	1	MYLAR LABEL PT-9700/9800 USA (USA)	ADD
	LW7693001	1	KOR PRODUCTION DATE LABEL (KOR)	ADD
	LW2140001	1	GOST LABEL PT-1280 RUS (RUS)	
	LAA099001	1	PT-9700/9800 STICKER USA (USA)	ADD

MODEL PT-9700PC/9800PCN 8V2-632/633-061



### 3 . MAIN PCB

1



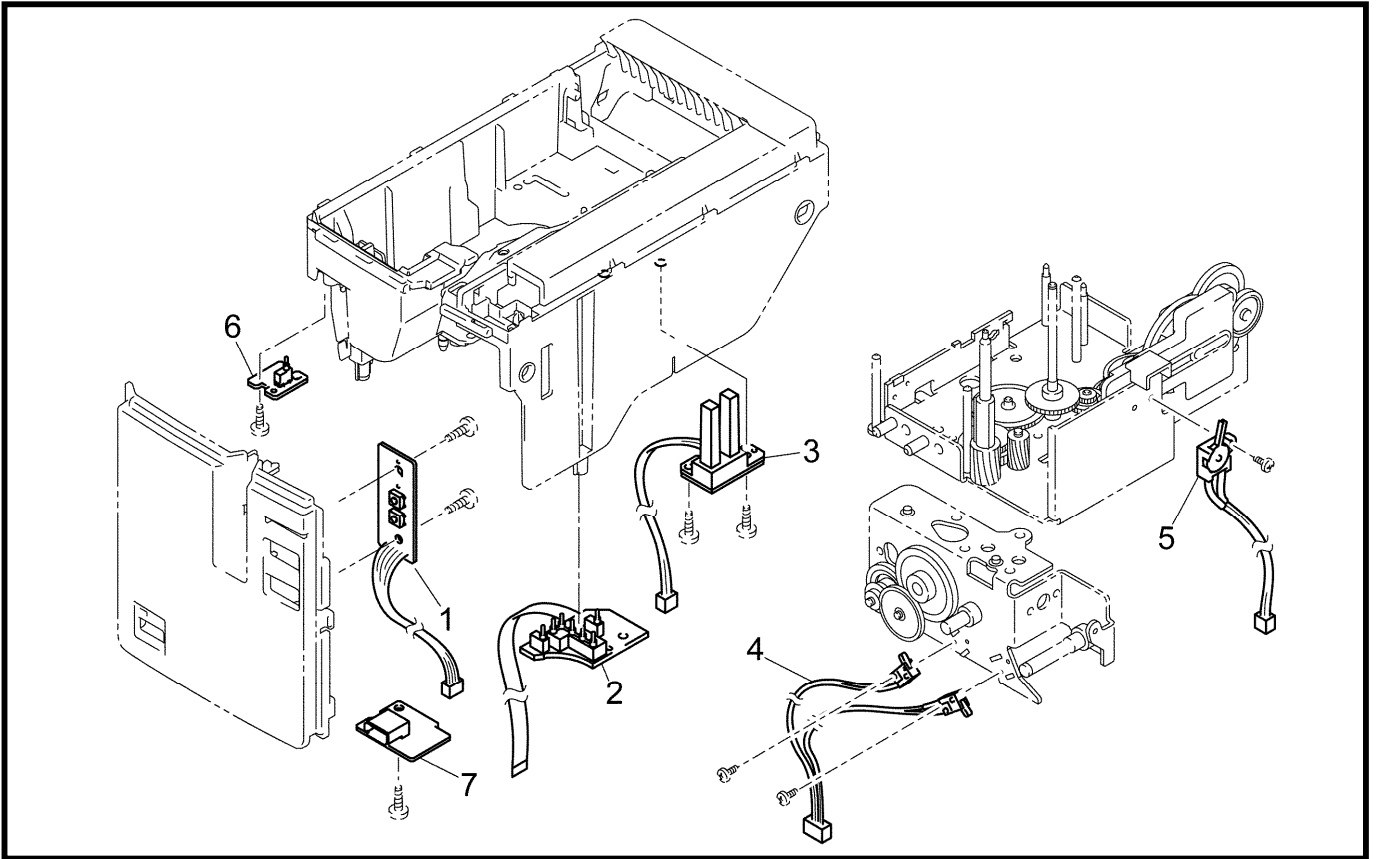
MODEL PT-9700PC/9800PCN 8V2-632/633-101

3 . MAIN PCB

REF.NO.	SYMBOL	CODE	Q'TY	DESCRIPTION	REMARKS
1	B55L369-1	LAB231001	1	MAIN PCB ASSY 9700 ERP (PT-9700PC:USA/DEU/CAN/GBR/ FRA/BRA/RUS/IND/CHE/DNK/AUS/SGP/ESP/THA/ZAF/ARE/HUN)	CHNG#B
1	B55L369-1	LAB231002	1	MAIN PCB ASSY 9700 ERP (PT-9700PC:HKG/ARG/TWN)	ADD
1	B55L369-1	LAB231003	1	MAIN PCB ASSY 9700 ERP (PT-9700PC:CHN)	ADD
1	B55L293-202G	LW4191002	1	MAIN PCB ASSY 9700 (PT-9700PC:HKG/ARG/TWN/KOR)	
4	B55L293-2	LW4213004	4	MAIN PCB ASSY 9800 (PT-9800PCN:USA/CAN/BRA/AUS/SGP/THA/ZAF/ARE)	DEL
1	B55L293-2	LW4213002	1	MAIN PCB ASSY 9800 (PT-9800PCN:HKG/ARG/TWN/KOR)	
1	B55L369-101	LAB230001	1	MAIN PCB ASSY 9800 ERP (PT9800PCN:USA/CAN/DEU/GBR/FRA/CHE/DNK/ESP/HUN/BRA/ AUS/SGP/THA/ZAF/ARE)	ADD
1	B55L369-102	LAB230002	1	MAIN PCB ASSY 9800 ERP (PT-9800PCN:HKG/ARG/TWN)	ADD
1	B55L369-103	LAB230003	1	MAIN PCB ASSY 9800 ERP(PT-9800PCN:CHN)	ADD

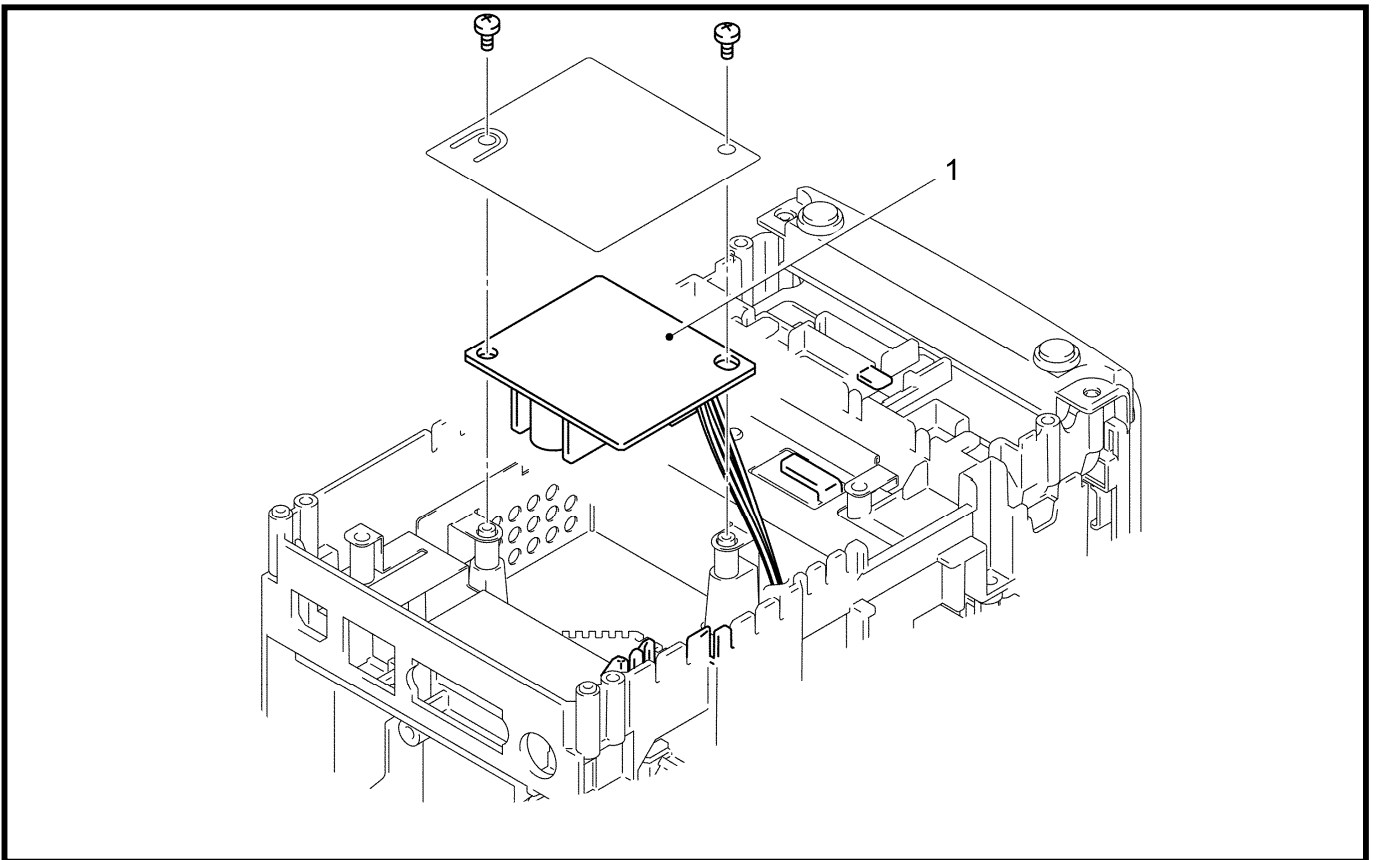
MODEL PT-9700PC/9800PCN 8V2-632/633-101

#### 4 . SENSORS



MODEL PT-9700PC/9800PCN 8V2-632/633-100

#### 5 . POWER SUPPLY PCB



MODEL PT-9700PC/9800PCN 8V2-632/633-102

4 . SENSORS

REF.NO.	SYMBOL	CODE	Q'TY	DESCRIPTION	REMARKS
1	B55L289	LW4148001	1	PANEL PCB ASSY 9700	CHNG#B
2	B55L379-1	LAB724001	1	CASSETTE PCB ASSY 9700	
3	B55L296	LW4149001	1	TAPE END PCB ASSY 9700	
4		LW4164001	1	CUTTER SENSOR ASSY 9700	
5		LW4166001	1	ROLLER HOLDER SENSOR ASSY 9700	
6	B55L266-1	LW4168001	1	COVER OPEN PCB ASSY 9700	
7	B55L290-1	LW4203001	1	USB-A PCB ASSY 9800 (PT-9800PCN)	

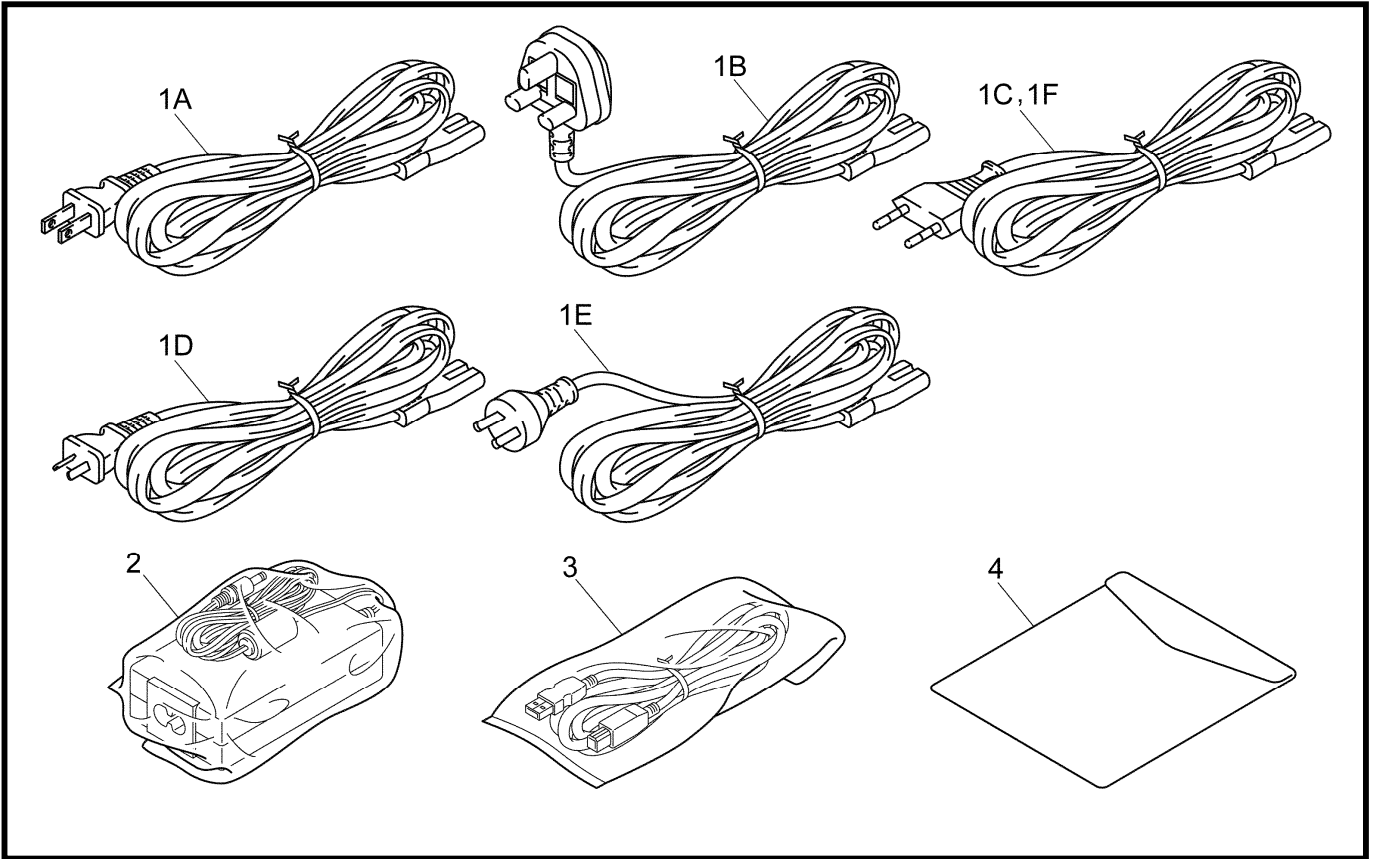
MODEL PT-9700PC/9800PCN 8V2-632/633-100

5 . POWER SUPPLY PCB

REF.NO.	SYMBOL	CODE	Q'TY	DESCRIPTION	REMARKS
1	B55L288	LW4186001	1	DC-DC PCB ASSY 9700 (KOR)	

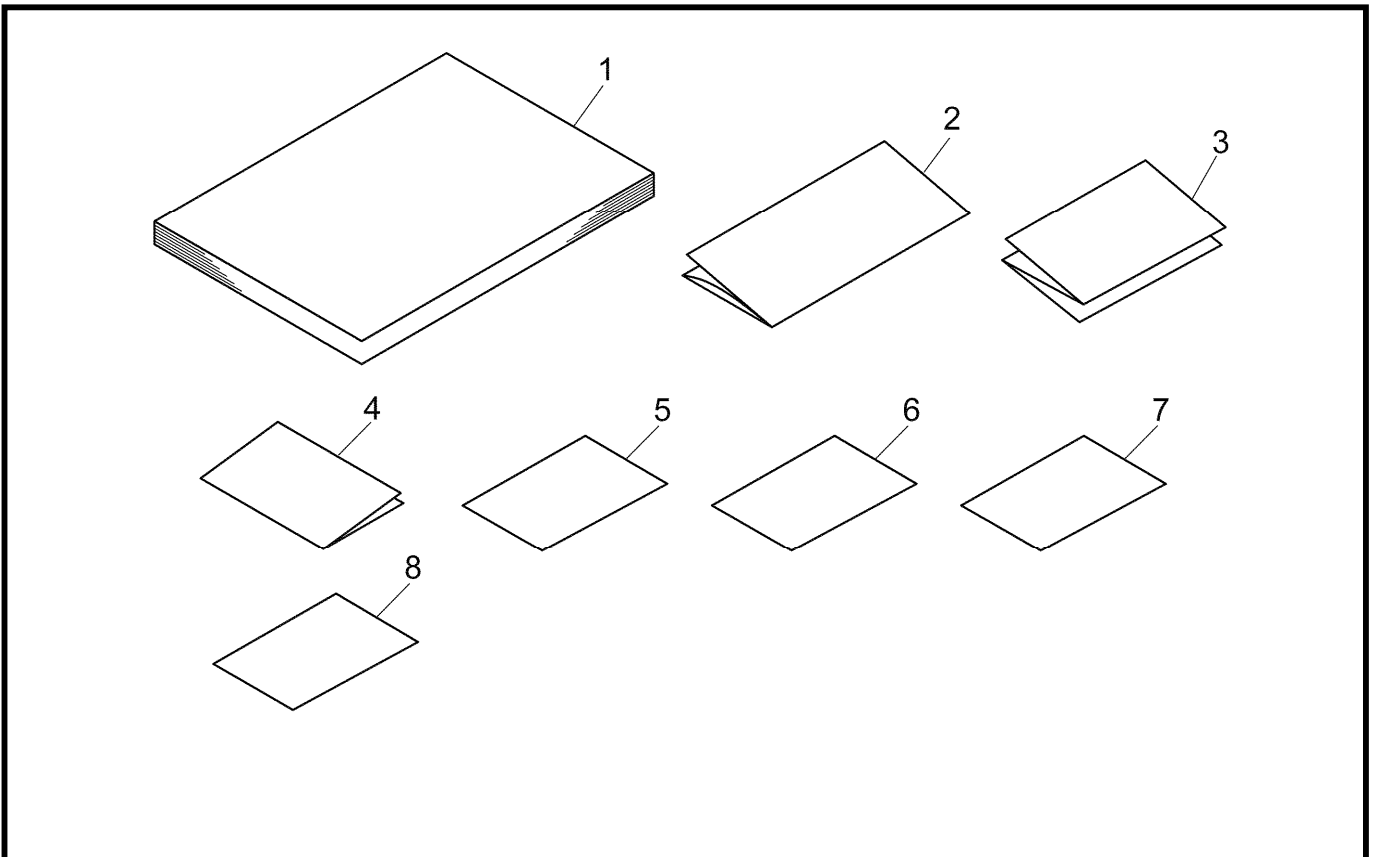
MODEL PT-9700PC/9800PCN 8V2-632/633-102

6 . ACCESSORY



MODEL PT-9700PC/9800PCN 8V2-632/633-910

7 . PRINTED MATTER



MODEL PT-9700PC/9800PCN 8V2-632/633-920

## 6 . ACCESSORY

REF.NO.	SYMBOL	CODE	Q'TY	DESCRIPTION	REMARKS
1A		LW2359001	1	POWER SUPPLY CORD CSA LF (USA/CAN/TWN)	
1A		LW5704001	1	POWER SUPPLY CORD CHN (CHN)	
1B		LN8125001	1	POWER SUPPLY CORD BS (GBR/HKG/SGP/ARE)	
1C		LN8126001	1	POWER SUPPLY CORD EU (DEU/FRA/RUS/CHE/DNK/ESP/THA/ZAF/HUN)	
1C		LN8129001	1	POWER SUPPLY CORD KOR (KOR)	
1D		LN8127001	1	POWER SUPPLY CORD AUS (AUS)	
1E		XD0111151	1	POWER SUPPLY CORD:IRAM (ARG)	
1F		LB9745001	1	POWER SUPPLY CORD BRA (BRA)	CHNG#A
1G		LBC738001	1	POWER SUPPLY CORD INDIA (IND)	
2		LAB837001	1	ADAPTER AD9100ES	CHNG#B
3		LAB762001	1	USB CABLE 2.0 (EXCEPT FOR PT-9800PCN: BRA/HKG/AUS/ SGP/ARG/THA/TWN/ZAF/ARE/KOR/CHN)	CHNG#B
3		LB6420001	1	USB2.0/FCABLE WY COREBRO (PT-9800PCN: BRA/HKG/AUS/ SGP/ARG/THA/TWN/ZAF/ARE/KOR/CHN)	
4		LAB861001	1	CD-ROM PT SERIES US (PT-9700PC: USA/CAN/BRA)	CHNG#B
4		LAB868001	1	CD-ROM PT-9800 US (PT-9800PCN: USA/CAN/BRA)	CHNG#B
4		LAB863001	1	CD-ROM PT SERIES EU/AP (PT-9700PC: DEU/GBR/FRA/CHE/ARG/ESP)	CHNG#B
4		LAC656001	1	CD-ROM ASSY PT-9800 EU1 (PT-9800PCN: DEU/GBR/FRA/CHE)	CHNG#B
4		LAB864001	1	CD-ROM PT SERIES NORDIC/CEE (PT-9700PC: DNK/HUN)	CHNG#B
4		LAC648001	1	MANUAL CD PT NORDIC (PT-9700PC: DNK)	add
4		LAC658001	1	CD-ROM PT-9800 NORDIC (PT-9800PCN: DNK)	CHNG#B
4		LAB865001	1	CD-ROM ASSY 9700 ASIA (PT-9700PC: IND/HKG/AUS/SGP/TWN/ZAF/KOR)	CHNG#B
4		LAB869001	1	CD-ROM ASSY 9800 ASIA (PT-9800PCN: HKG/AUS/SGP/TWN/ZAF/KOR)	CHNG#B
4		LW5803001	1	CD-ROM PT-9800 EU2 (PT-9800PCN: ARG)	chn#B
4		LW7318001	1	CD-ROM ASSY 9700 THA/VNM (PT-9700PC: THA)	
4		LW7319001	1	CD-ROM ASSY 9800 THA/VNM (PT-9800PCN: THA)	
4		LW8972001	1	CD-ROM PT SERIES CHN (PT-9700PC: CHN)	CHNG#B
4		LW7530001	1	CD-ROM ASSY 9800 CHN (PT-9800PCN: CHN)	CHNG#B
4		LAC655001	1	MANUAL CD PT CEE (PT-9700PC: HUN)	CHNG#B
4		LAC659001	1	CD-ROM PT-9800 CEE (PT-9800PCN: HUN)	CHNG#B
4		LW7729001	1	CD-ROM PT/QL SERIES RUS (RUS)	
4		LAA474001	1	CD-ROM ASSY PT-9700 ARE (ARE)	
4		LAC657001	1	CD-ROM PT-9800 EU2 (PT-9800PCN: ESP)	
4		LW8742001	1	CD-ROM ASSY 9800 ARE (PT-9800PCN: ARE)	

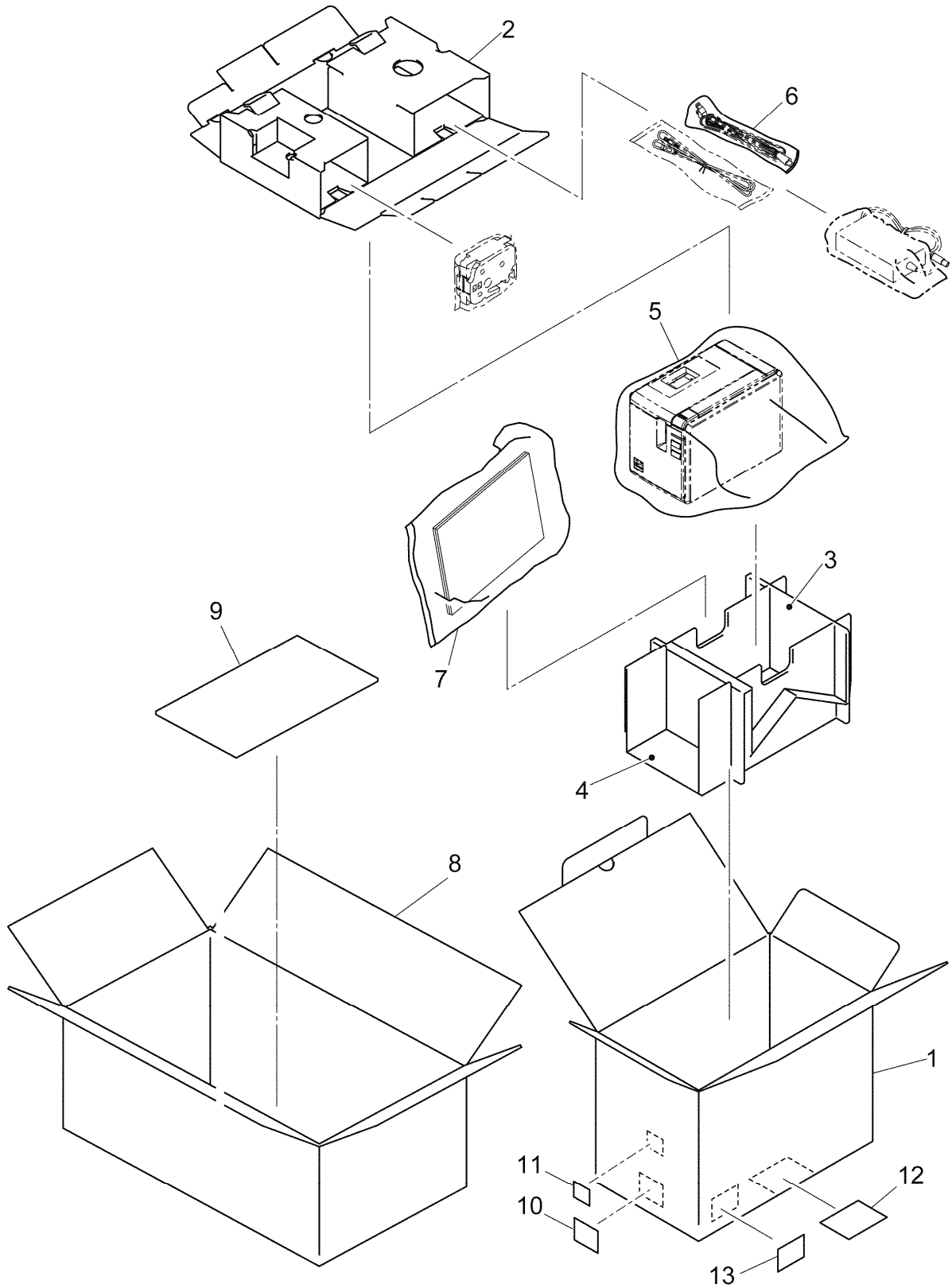
MODEL PT-9700PC/9800PCN 8V2-632/633-910

## 7 . PRINTED MATTER

REF.NO.	SYMBOL	CODE	Q'TY	DESCRIPTION	REMARKS
1		LW5538001	1	USER'S MANUAL PT-9700 US (USA)	chn#B
1		LAC640001	1	USER'S MANUAL 9700 EU-A (DEU/GBR/FRA/CHE/HUN)	CHNG#B
1		LAB677001	1	USER'S MANUAL 9700 BRA (BRA)	CHNG#B
4		<del>LW4860004</del>	4	<del>USER'S MANUAL 9700 EU-A (PT-9700PC:HUN)</del>	del
1		LW5584001	1	USER'S MANUAL 9700 ASIA (IND/HKG/AUS/SGP/ZAF)	
1		LW6061001	1	USER'S MANUAL 9700 HK/TW (HKG/TWN)	
1		LAB685001	1	USER'S MANUAL 9700 EU-B (ARG)	CHNG#B
1		LAC642001	1	USER'S MANUAL 9700 EU-B (ESP)	ADD
1		LW7080001	1	USER'S MANUAL 9700 VN/TH (THA)	
1		LAD131001	1	USER'S MANUAL 9700 KOR (KOR)	CHNG#B
1		LW7236001	1	USER'S MANUAL 9700 CHN (PT-9700PC:CHN)	ADD
1		LW5424001	1	USER'S MANUAL 9700 CHN (PT-9800PCN:CHN)	
4		<del>LW4862004</del>	4	<del>USER'S MANUAL 9700 EU-C (PT-9700PC:DNK)</del>	del
1		LAC641001	1	USER'S MANUAL 9700 EU-C (DNK)	CHNG#B
1		LAB686001	1	USER'S MANUAL 9700 ARE (ARE)	
1		LAB687001	1	USER'S MANUAL 9700 ARE ENG (ARE)	
1		LAC643001	1	USER'S MANUAL 9700 RUS (RUS)	
1		LAA112001	1	USER'S MANUAL PT-9700 CAN (CAN)	
2		LAB809001	1	TZE TAPE CATALOG USA (USA)	CHNG#B
2		LW8778001	1	TAPE CATALOG CIV A (DEU/GBR/FRA/BRA/CHE/ARG/ESP)	CHNG#B
2		<del>LW2236004</del>	4	<del>TAPE INFORMATION HKG (HKG)</del>	DEL
2		LAA209001	1	TAPE CATALOG CIV AP (IND/HKG/AUS/SGP/THA/TWN/ZAF/ARE/KOR)	CHNG#B
2		LAD582001	1	TAPE CATALOG CHN (CHN)	CHNG#B
2		LW8779001	1	TAPE CATALOG CIV B (RUS/DNK)	ADD
2		LW8780001	1	TAPE CATALOG CIV C (HUN)	ADD
3		LAA645001	1	ACCESSORY ORDER FORM LIST (USA)	CHNG#B
4		<del>LW4800004</del>	4	<del>HG TAPE INSERTION US (USA)</del>	DEL
4		LW4914001	1	HG TAPE INSERTION EU (DEU/GBR/FRA/BRA/RUS/CHE/DNK/ARG/ESP/HUN)	
4		LW4651001	1	HG TAPE INSERTION ASIA (IND/HKG/AUS/SGP/THA/TWN/ZAF/ARE/KOR)	
4		LW5435001	1	HG TAPE INSERTION CHN (CHN)	
5		LW4296001	1	WINDOWS 7 INSERTION (DNK/CHN/HUN)	
5		LAB527001	1	WINDOWS 8 INSERTION C (EXCEPT FOR RUS/THA/ARE/CHN/ PT-9800PCN:ARG/ARE)	ADD
5		LAB876001	1	WINDOWS 8 INSERTION Y (RUS/THA/ARE/CHN/PT-9800PCN:ARG)	ADD
6		<del>LW4924004</del>	4	<del>9700 CD INSERTION US (USA)</del>	del
6		LW4925001	1	9700 CD INSERTION EU (DNK/IND/HKG/AUS/SGP/TWN/ZAF/ARE/KOR/HUN)	
7		LW7758001	1	WEEE & BATTERY INSERTION EU (DEU/GBR/FRA/CHE/DNK/ESP/HUN)	CHNG#B
8		LW6916001	1	WARRANTY CARD EURO (GBR/FRA/CHE/DNK/ESP)	CHNG#B
8		LM4756001	1	WARRANTY CARD IRE (GBR)	
8		LW2157001	1	3YEAR WARRANTY CARD UK (GBR)	
8		LW2661001	1	WARRANTY CARD FRA (FRA)	
8		LS1027001	1	WARRANTY CARD BRZ (BRA)	
8		LA4592001	1	WARRANTY CARD HONG KONG (HKG)	
8		LAD222001	1	WARRANTY CARD ES ARG (ARG)	CHNG#B
8		LJ5400001	1	WARRANTY CARD SPA (ESP)	
8		LX7910001	1	WARRANTY CARD TWN (TWN)	chn#B
8		LW3773001	1	WARRANTY CARD CHINA (CHN)	
8		LW3135001	1	CEE WARRANTY CARD (HUN)	
8		LW3356001	1	1YEAR WARRANTY CARD CAN (CAN)	
8		LF6085001	1	WARRANTY CARD RUSSIA (RUS)	
8		LAB972001	1	ADAPTER INSERTION ARGENTINA (ARG)	CHNG#B
8		LAB975001	1	CDROM FR SHEET PT SERIES US (PT-9700PC:CAN)	
8		LAB976001	1	CDROM FRENCH SHEET 9800 CAN (PT-9800PCN:CAN)	
8		LAA168001	1	LEGEND LABEL 9700/9800 CAN (CAN)	
8		LAD399001	1	STOP SHEET CAN (CAN)	
8		LU9323001	1	RUSSIA IMPORT INSERTION (RUS)	
8		LAA727001	1	WEEE/ROHS INSERTION INDIA (IND)	
8		LAB221001	1	AUTO POWER OFF INSERTION2 ZH (DEU/GBR/FRA/CHE/DNK/ESP/HUN)	ADD

MODEL PT-9700PC/9800PCN 8V2-632/633-920

# 8 . PACKING



MODEL PT-9700PC/9800PCN 8V2-632/633-930



8 . PACKING

REF.NO.	CODE	Q'TY	DESCRIPTION	REMARKS
1	LW4089001	1	CARTON 9700 US (PT-9700PC:USA)	
1	LW4247001	1	CARTON 9800 US (PT-9800PCN:USA)	
1	LAC652001	1	CARTON PT-9700 EU (PT-9700:DEU/GBR/FRA/CHE/DNK/ESP/HUN)	CHNG#B
1	LAC653001	1	CARTON PT-9800 EU (PT-9800PCN:DEU/GBR/FRA/CHE/DNK/ESP/HUN)	CHNG#B
4	<del>LW4108004</del>	4	<del>CARTON 9700 EU (PT-9700PC:DNK/HUN)</del>	del
1	LW5950001	1	CARTON PT-9700 EU (PT-9700PC:BRA/ARG)	
1	LW5839001	1	CARTON PT-9800 EU (PT-9800PCN:BRA/ARG)	
1	LW5848001	1	CARTON 9700 ASIA (PT-9700PC:IND/HKG/AUS/SGP/THA/TWN/ZAF/ARE/KOR)	
1	LW5849001	1	CARTON 9800 ASIA (PT-9800PCN:HKG/AUS/SGP/THA/TWN/ZAF/ARE/KOR)	
1	LAC140001	1	CARTON 9700 CHN (PT-9700PC:CHN)	CHNG#B
1	LAC141001	1	CARTON 9800 CHN (PT-9800PCN:CHN)	CHNG#B
1	LAB758001	1	CARTON PT-9700 RUS (RUS)	
1	LAA169001	1	CARTON 9700 CAN (PT-9700PC:CAN)	
1	LAA171001	1	CARTON 9800 CAN (PT-9800PCN:CAN)	
2	LW4090001	1	PAD UPPER 9700	
3	LW4091001	1	PAD MIDDLE 9700	
4	LW4092001	1	PAD LOWER 9700	
5	LA7881001	1	BAG 250X600H	
6	LA7882001	1	BAG 130X350 (EXCEPT FOR BRA/ARG)	
7	LA6867001	1	BAG 215X360H	
8	LW4096001	1	CARTON (X3) 9700 US (USA/CAN/BRA/RUS/ARG)	
8	LW4885001	1	CARTON (X3) 9700 EU (DEU/GBR/FRA/CHE/DNK/ESP/HUN)	
8	LW4647001	1	CARTON (x3) 9700 ASIA (IND/HKG/AUS/SGP/THA/TWN/ZAF/ARE/KOR/CHN)	
9	LW4097001	1	PAD 9700	
10	<del>LW4259004</del>	4	<del>WINDOWS 7 STICKER EU (PT-9700PC:DNK/HUN)</del>	del
10	LW4295001	1	WINDOWS 7 STICKER CH (CHN)	
11	LR1837001	1	ENERGY STAR LABEL (USA/CAN)	
12	LN6938001	1	AUSTRIA LABEL LARGE (HUN)	
13	LW3751001	1	3YR GUARANTEE MYLAR LABEL GER (DEU)	
	LW5766001	1	PT-9700/9800 STICKER HK/TW/KR (HKG/TWN/KOR)	
	LW7673001	1	PT-9700/9800 STICKER THA/VNM (THA)	
	LW5653001	1	IRAM LABEL PT-9700PC ARG (PT-9700PC:ARG)	
	LW5654001	1	IRAM LABEL PT-9800PCN ARG (PT-9800PCN:ARG)	
	LAA279001	1	CARTON LABEL PT-9700 ARE (ARE)	
	UN8891001	1	C-TICK MARK (AUS)	
	LAB530001	1	MYLAR LABEL WIN 8 OSX10.8 US (EXCEPT FOR USA/CAN/CHN)	ADD
	LAB532001	1	MYLAR LABEL WIN 8 OSX10.8 CHN (CHN)	ADD
	LW4122001	1	BLUE LABEL (BRA/ARG/ARE)	ADD

MODEL PT-9700PC/9800PCN 8V2-632/633-930

**brother**®

Dec., 2009  
PL-PT028

Ver. C-1