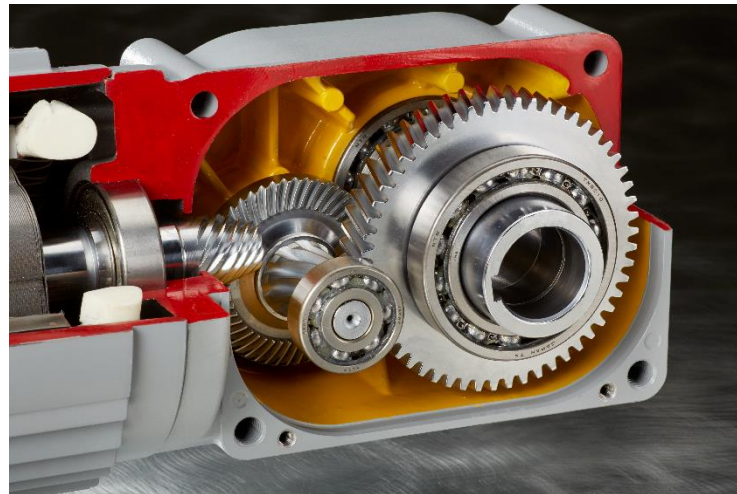


Terminal Box Changes

1-3 Horsepower Gearmotors

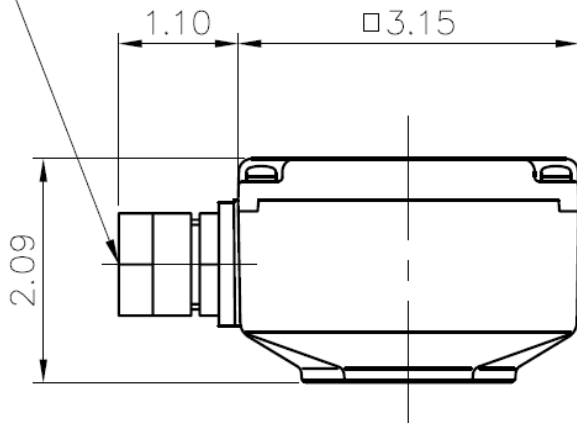


Terminal Box Changes

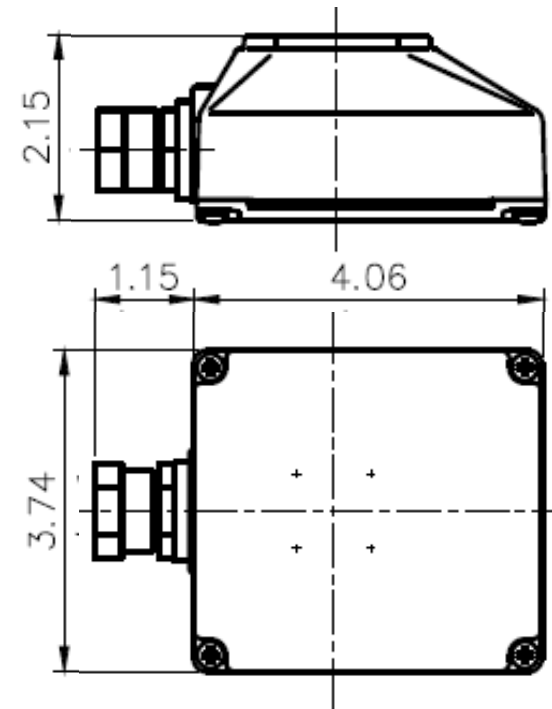
Terminal box for IP44 and IP65 have both changed to a cable ground type.

Current E-box

Applicable Code $\phi 0.31 \sim 0.47$ ($\phi 8 \sim 12 \text{mm}$)



New W-box

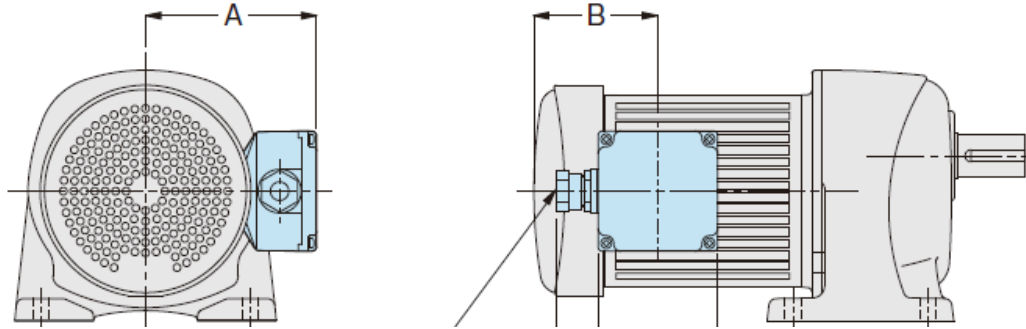


New Terminal Box

brother[®]
at your side

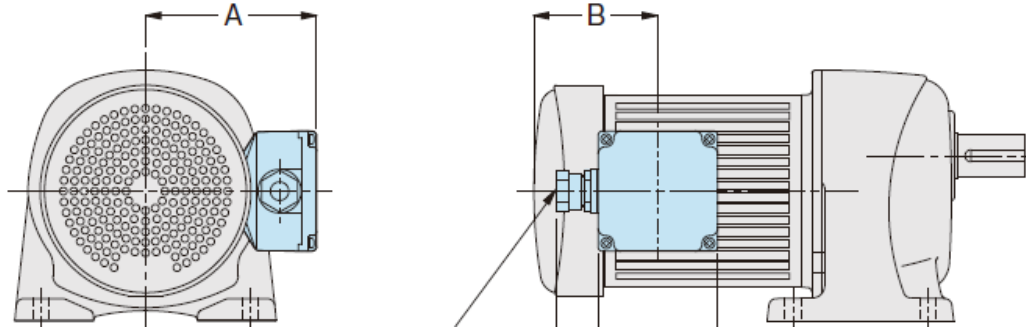


Dimensional Comparison IP44



HP	Terminal Box	Dimension in Inches		
		A	B	
			Motor (IP44)	Brake motor (IP44)
1 HP	Current E-box	5.14	3.48	3.88
	W-box	5.22	3.87	3.27
	Difference	0.08	0.39	
2 HP	Current E-box	5.42	4.27	5.26
	W-box	5.50	4.66	5.65
	Difference	0.08	0.39	
3 HP	Current E-box	5.85	4.31	5.3
	W-box	5.93	4.70	5.69
	Difference	0.08	0.39	

Dimensional Comparison IP65



HP	Terminal Box	Dimension in Inches		
		A	B	
			Motor (IP65)	Brake motor (IP65)
1 HP	Current E-box	5.14	3.48	6.24
	W-box	5.22	3.87	6.33
	Difference	0.08	0.39	
2 HP	Current E-box	5.42	4.27	NA
	W-box	5.50	4.66	NA
	Difference	0.08	0.39	
3 HP	Current E-box	5.85	4.31	NA
	W-box	5.93	4.70	NA
	Difference	0.08	0.39	

Gearhead Nomenclature Part Change

Current Nomenclature for Terminal Box E

Model Type						Model Type								
Gear head series	Mount Form	Flame size	Shaft /Material	Gear Ratio	-	Motor Type	Motor Spec.	Motor Power	Phase	Supply Voltage / Phase	Stand ard	Terminal Box	Brake & options	Special
2	1	2	1	3	1	1	1	1	0	1	0	1	2	1
G3	L	22	N	5	-	M	V	4		A		E	B2	X
①	②	③	④	⑤		⑥	⑦	⑧	⑨	⑩	⑪	⑫	⑬	⑭

New Nomenclature for Terminal Box W

Model Type						Model Type								
Gear head series	Mount Form	Flame size	Shaft /Material	Gear Ratio	-	Motor Type	Motor Spec.	Motor Power	Phase	Supply Voltage / Phase	Stand ard	Terminal Box	Brake & options	Special
2	1	2	1	3	1	1	1	1	0	1	0	1	2	1
G3	L	22	N	5	-	M	V	4		A		W	B2	X
①	②	③	④	⑤		⑥	⑦	⑧	⑨	⑩	⑪	⑫	⑬	⑭