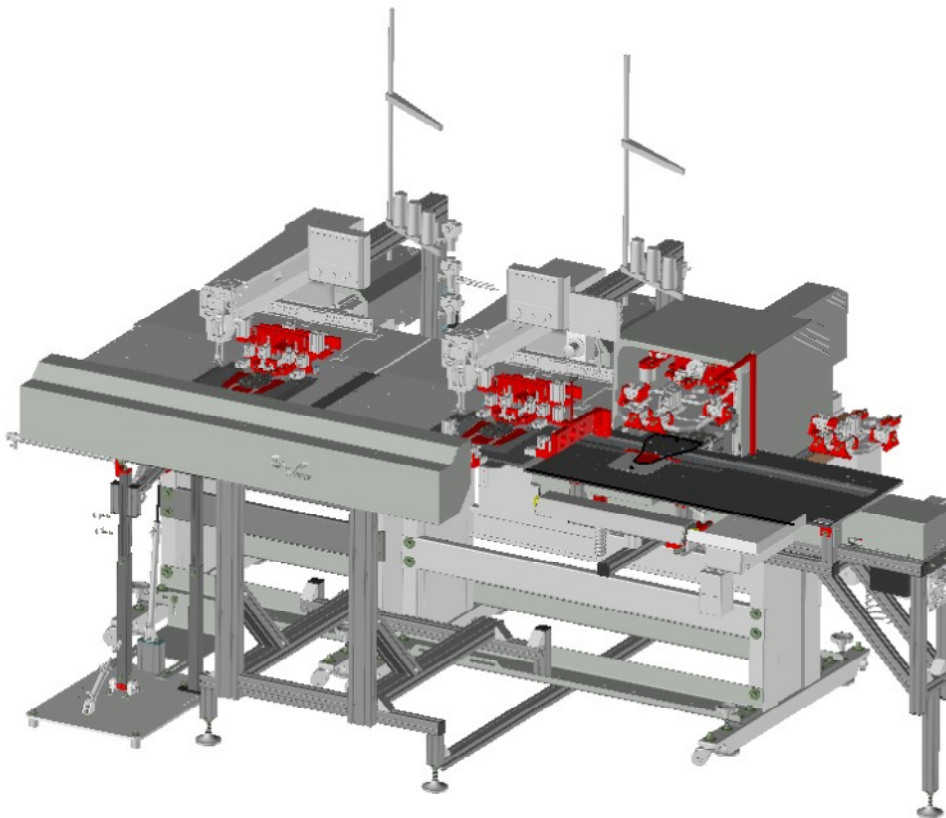




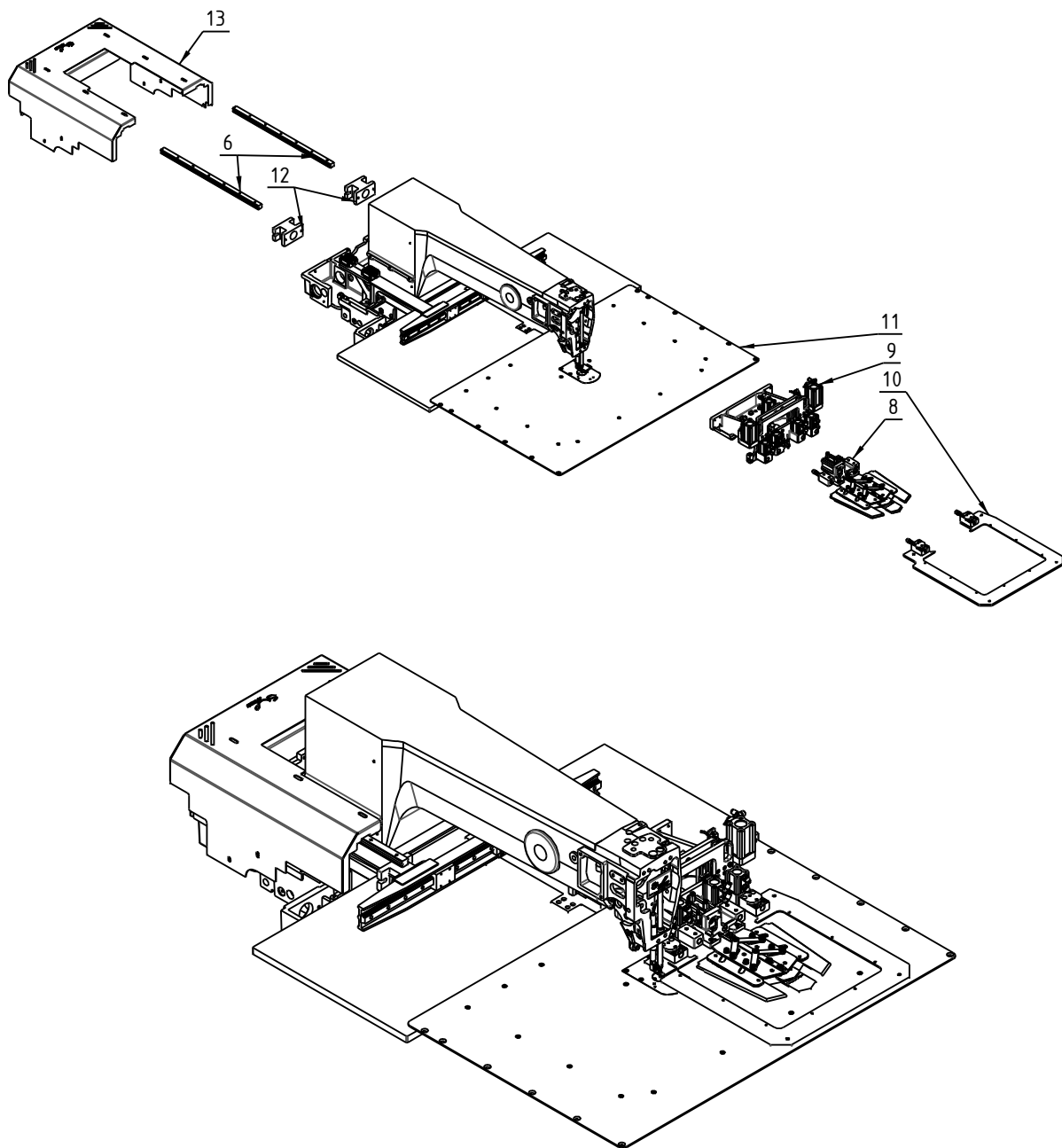
Unit model : PS342-FG2SIP/FG1SIP
Description : AUTOMATIC POCKET SETTER UNIT



TOR.MEC AMBROSI s.r.l. - Via Maestri del Lavoro 16 Santa Maria di Zevio 37050 - VERONA - ITALY
Phone: +39 0456050205 ; Fax: +39 0456051645; Email: info@sip-italy.com
www.tormec.com / www.sip-italy.com

SIP-ITALY is a brand of TOR.MEC AMBROSI s.r.l.





POS.	CODICE	Costruttore	Q.TÀ
6	COM.001298	LINEAR RAIL SR15-380LK-E20(GK) MT13A	2
8	SIP.A.000278	SPIDER MASK - LARGE TYPE	1
9	SIP.A.000437	HEAD KIT ASSEMBLY	1
10	SIP.A.000501	HEAD JIG ASSEMBLY	1
11	SIP.P.001105	MAIN PLANE	1
12	SIP.P.001159	THICKNESS 45mm	2
13	SIP.P.001725	HEAD COVER	1

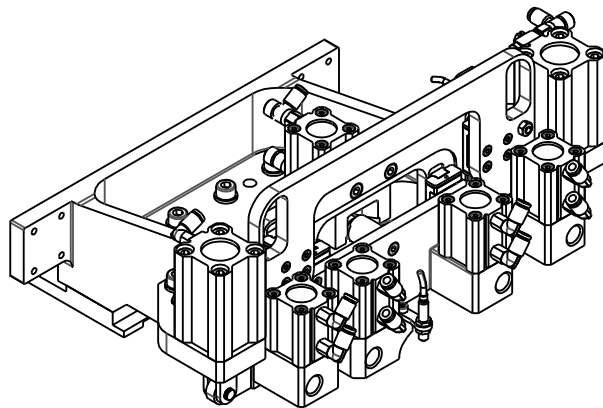
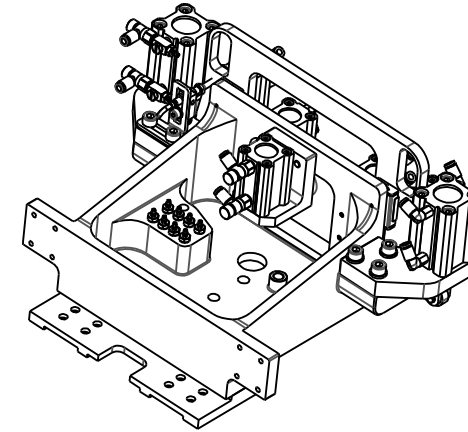
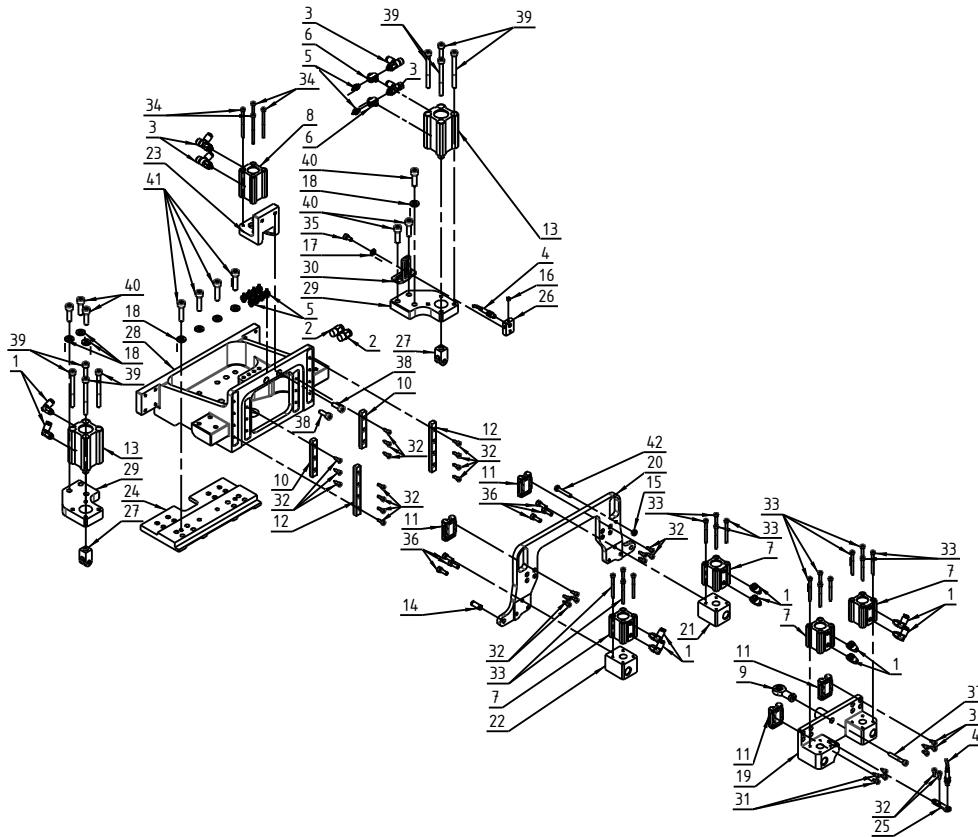


Code - Description :

SIP.A.000361 - HEAD ASSEMBLY

Unit model :

PS342-FG1SIP
PS342-FG2SIP

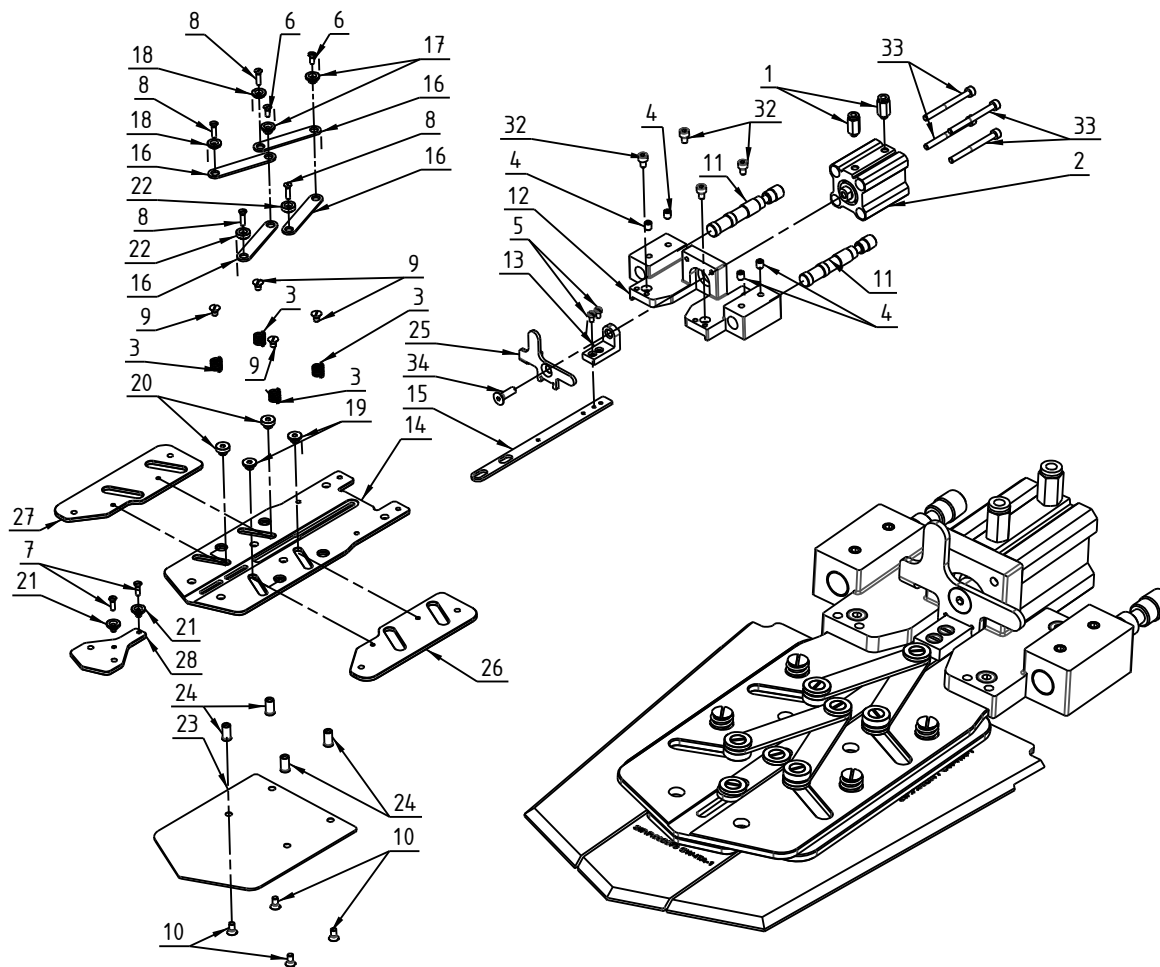


POS.	CODICE	Costruttore	Q.TA
1	COM.000310	FITTING KQ2L04-M5A	10
2	COM.000334	FITTING KQ2H06-01AS	2
3	COM.000413	FLOW REGULATOR AS1201F-M5-04A	4
4	COM.000578	PROXIMITY SENSOR M5 NPN NO uscita cavo	2
5	COM.000596	MINI FITTING M-5AU-4	10
6	COM.000836	SMC FITTING M-5UJ	2
7	COM.000983	CYLINDER CQ216-15-XA11	4
8	COM.000990	CYLINDER CQ2B16-25D	1
9	COM.000991	SPHERICAL INTERFACE KJ4DM4	1
10	COM.001188	LINEAR RAIL SRS9X-60LM-E10(GK)	2
11	COM.001256	LINEAR SLIDER SRS9XMUC1(GK)	4
12	COM.001257	LINEAR RAIL SRS9X-81LM-E10.5(GK)	2
13	COM.001335	SMC CYLINDER CQ2B20-35DM	2
14	COM.001339	SMC IY-P015	2
15	DEISO4032M4	Hexagon Nut ISO 4032 - M4	1
16	GEIPISO4026M4X4	Hexagon Socket Set Screw with Flat Point ISO 4026 - M4X4	1
17	RPISO70894	Plain Washer - 4	1
18	RPISO70896	Plain Washer - 6	8
19	SIPP.001067	SPIDER SUPPORT	1
20	SIPP.001084	FRAME 3	1
21	SIPP.001085	CYLINDER SUPPORT C15 DX	1
22	SIPP.001086	CYLINDER SUPPORT C15 SX	1
23	SIPP.001092	CYLINDER SUPPORT C25	1
24	SIPP.001100	LOWER SUPPORT	1
25	SIPP.001328	PROXIMITY SUPPORT	1
26	SIPP.001407	PROXIMITY D5 SUPPORT	1
27	SIPP.001638	FORK M8 D6	2
28	SIPP.001717	HEAD KIT FRAME	1
29	SIPP.001718	CYLINDER SUPPORT C25	2
30	SIPP.001964	PROXIMITY BRACKET	1
31	VTCEISO4762M3X8	Hexagon Socket Head Cap Screw ISO 4762 - M3X8	8
32	VTCEISO4762M3X8	Hexagon Socket Head Cap Screw ISO 4762 - M3X8	24
33	VTCEISO4762M3X35	Hexagon Socket Head Cap Screw ISO 4762 - M3X35	16
34	VTCEISO4762M3X45	Hexagon Socket Head Cap Screw ISO 4762 - M3X45	4
35	VTCEISO4762M4X8	Hexagon Socket Head Cap Screw ISO 4762 - M4X8	1
36	VTCEISO4762M4X12	Hexagon Socket Head Cap Screw ISO 4762 - M4X12	6
37	VTCEISO4762M4X30	Hexagon Socket Head Cap Screw ISO 4762 - M4X30	1
38	VTCEISO4762M5X14	Hexagon Socket Head Cap Screw ISO 4762 - M5X14	2
39	VTCEISO4762M5X55	Hexagon Socket Head Cap Screw ISO 4762 - M5X55	8
40	VTCEISO4762M6X20	Hexagon Socket Head Cap Screw ISO 4762 - M6X20	6
41	VTCEISO4762M6X25	Hexagon Socket Head Cap Screw ISO 4762 - M6X25	4
42	VTEISO4017M4X25	Hexagon Screw ISO 4017 - M4X25	1



Code - Description :
SIP.A.000437 - HEAD KIT ASSEMBLY

Unit model :
PS342-FG1SIP
PS342-FG2SIP

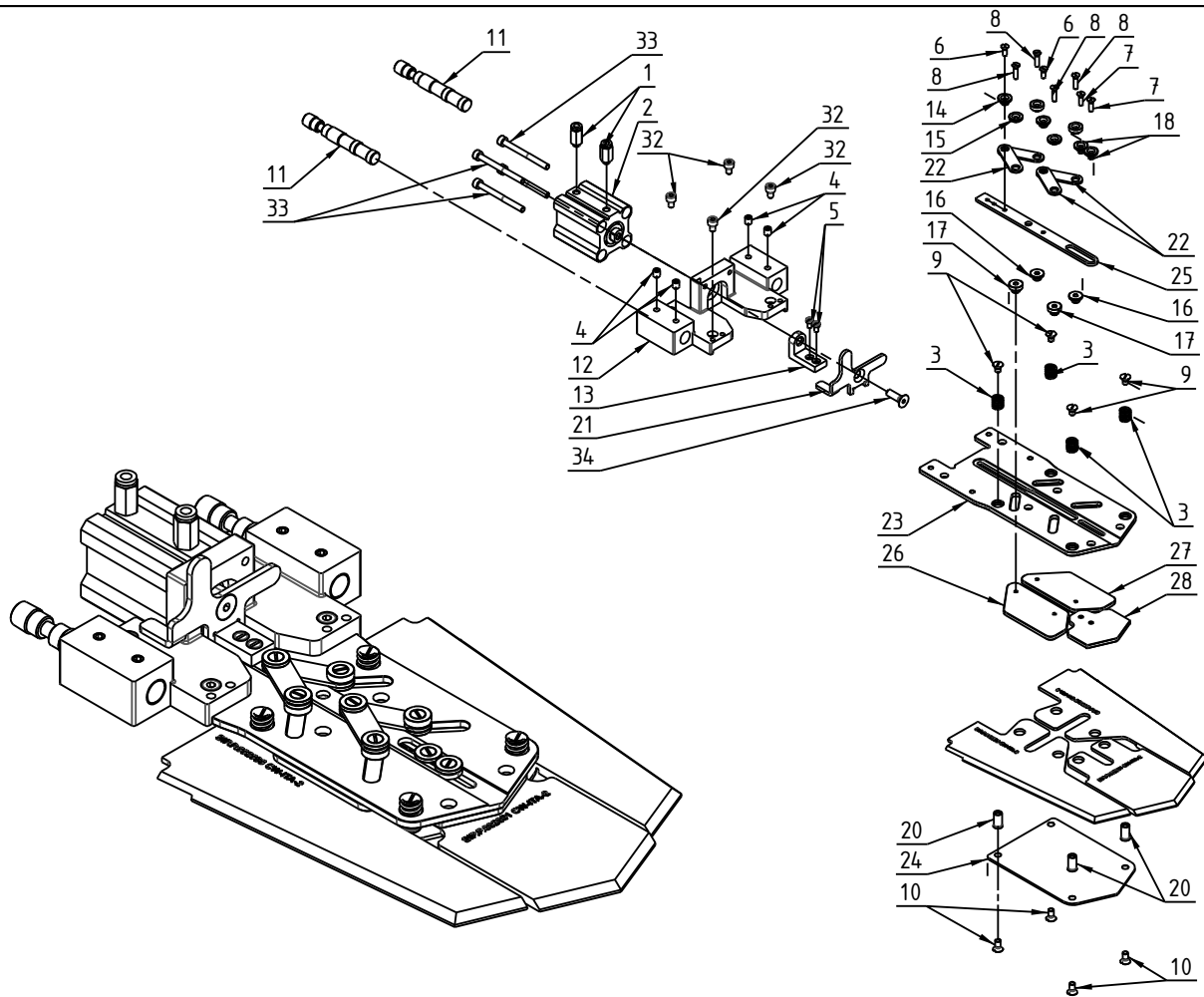


POS	CODE	DESCRIPTION	Q.TY
1	COM.000454	FITTING KQ2H04-M5A	2
2	COM.000999	CYLINDER CQ2B20-25D	1
3	COM.001141	COMPRESSION SPRING De=8.3 L=9 d=1 P=2	4
4	GEIISO4026M5X6	Hexagon Socket Set Screw with Flat Point ISO 4026 - M5X6	4
5	IVTCISO1207M3X5	Slotted Cheese Head Screw ISO 1207 - M3X5	2
6	IVTSISO2009M3X8	Slotted Cheese Head Screw ISO 2009 - M3X8	2
7	IVTSISO2009M3X10	Slotted Cheese Head Screw ISO 2009 - M3X10	2
8	IVTSISO2009M3X12	Slotted Cheese Head Screw ISO 2009 - M3X12	4
9	IVTSISO2009M4X6	Slotted Cheese Head Screw ISO 2009 - M4X6	4
10	IVTSISO2009M4X8	Slotted Cheese Head Screw ISO 2009 - M4X8	4
11	SIP.P.001138	MASK SHAFT	2
12	SIP.P.001139	SPIDER SUPPORT	1
13	SIP.P.001140	CENTRAL SUPPORT	1
14	SIP.P.001142	CENTRAL MASK	1
15	SIP.P.001143	CENTRAL BLADE	1
16	SIP.P.001144	ROD	4
17	SIP.P.001145	BUSH	2
18	SIP.P.001146	BUSH	2
19	SIP.P.001147	BUSH	2
20	SIP.P.001148	BUSH	2
21	SIP.P.001150	BUSH 5	2
22	SIP.P.001151	BUSH	2
23	SIP.P.001198	LOWER PLATE	1
24	SIP.P.001199	LOWER PLATE PIN	4
25	SIP.P.001327	PROXIMITY READER	1
26	SIP.P.001848L	SIDE BLADE	1
27	SIP.P.001848R	SIDE BLADE	1
28	SIP.P.001849	CENTRAL SLIDING	1
29	SIP.P.002077		1
30	SIP.P.002078		1
31	SIP.P.002079		1
32	VTCEISO4762M4X6	Hexagon Socket Head Cap Screw ISO 4762 - M4X6	4
33	VTCEISO4762M4X45	Hexagon Socket Head Cap Screw ISO 4762 - M4X45	4
34	VTSEISO4762M5X16	Hexagon Socket Countersunk Head Screw ISO 10642 - M5X16	1



Code - Description :
SIP.A.000278 - SPIDER MASK - LARGE TYPE

Unit model :
PS342-FG1SIP
PS342-FG2SIP

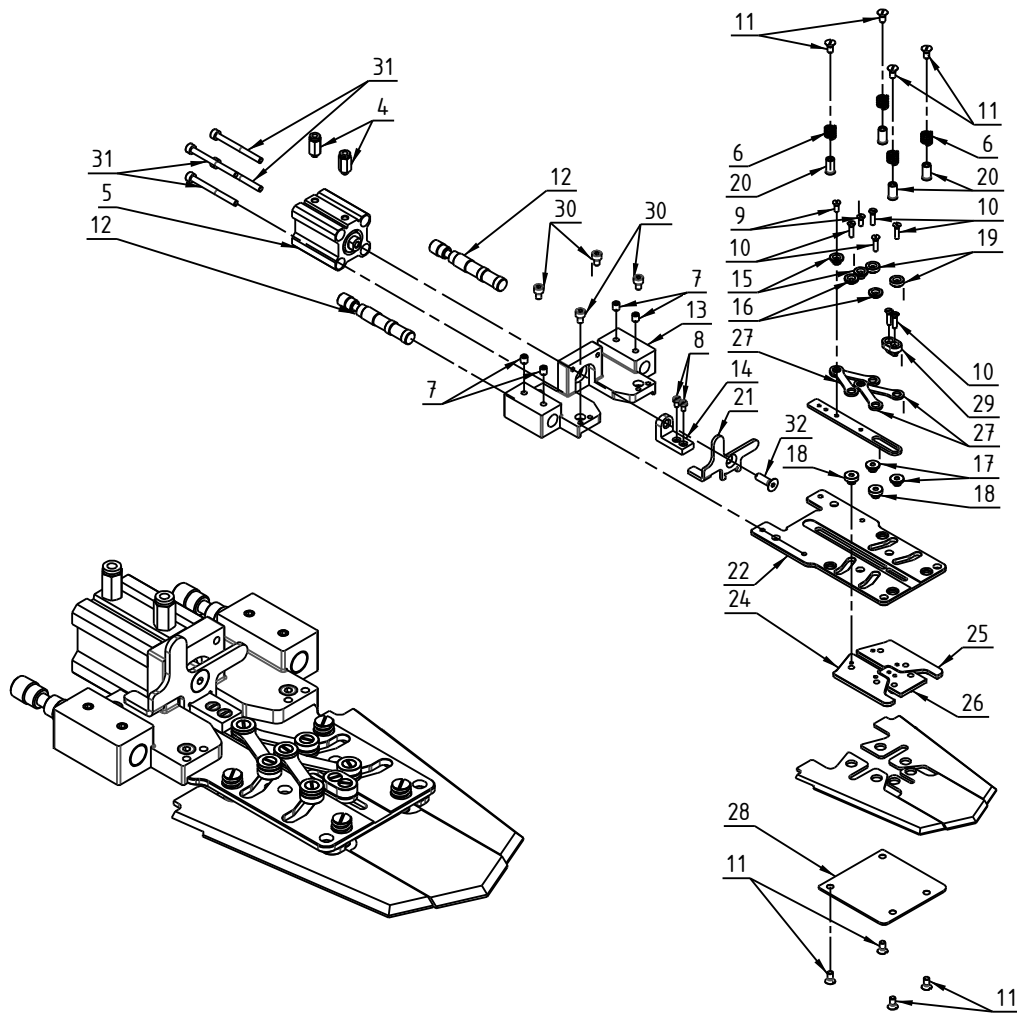


POS.	CODICE	Costruttore	Q.TÀ
1	COM.000454	FITTING KQ2H04-M5A	2
2	COM.000999	CYLINDER CQ2B20-25D	1
3	COM.001141	COMPRESSION SPRING De=8.3 L=9 d=1 P=2	4
4	GEIISO4026M5X6	Hexagon Socket Set Screw with Flat Point ISO 4026 - M5X6	4
5	IVTCISO1207M3X5	Slotted Cheese Head Screw ISO 1207 - M3X5	2
6	IVTISO2009M3X8	Slotted Cheese Head Screw ISO 2009 - M3X8	2
7	IVTISO2009M3X10	Slotted Cheese Head Screw ISO 2009 - M3X10	2
8	IVTISO2009M3X12	Slotted Cheese Head Screw ISO 2009 - M3X12	4
9	IVTISO2009M4X6	Slotted Cheese Head Screw ISO 2009 - M4X6	4
10	IVTISO2009M4X8	Slotted Cheese Head Screw ISO 2009 - M4X8	4
11	SIP.P.001138	MASK SHAFT	2
12	SIP.P.001139	SPIDER SUPPORT	1
13	SIP.P.001140	CENTRAL SUPPORT	1
14	SIP.P.001145	BUSH	2
15	SIP.P.001146	BUSH	2
16	SIP.P.001147	BUSH	2
17	SIP.P.001148	BUSH	2
18	SIP.P.001150	BUSH 5	2
19	SIP.P.001151	BUSH	2
20	SIP.P.001199	LOWER PLATE PIN	4
21	SIP.P.001327	PROXIMITY READER	1
22	SIP.P.001858	ROD	4
23	SIP.P.001863	CENTRAL MASK	1
24	SIP.P.001881	LOWER PLATE	1
25	SIP.P.001882	CENTRAL BLADE	1
26	SIP.P.001884L	SIDE BLADE	1
27	SIP.P.001884R	SIDE BLADE	1
28	SIP.P.001886	CENTRAL SLIDING	1
32	VTCEISO4762M4X6	Hexagon Socket Head Cap Screw ISO 4762 - M4X6	4
33	VTCEISO4762M4X45	Hexagon Socket Head Cap Screw ISO 4762 - M4X45	4
34	VTSEISO4762M5X16	Hexagon Socket Countersunk Head Screw ISO 10642 - M5X16	1



Code - Description :
SIP.A.000468 - RETRACTABLE CLAMP - MEDIUM TYPE

Unit model :
PS342-FG1SIP
PS342-FG2SIP



POS.	CODICE	Costruttore	Q.TÀ
4	COM.000454	FITTING KQ2H04-M5A	2
5	COM.000999	CYLINDER CQ2B20-25D	1
6	COM.001141	COMPRESSION SPRING De=8.3 L=9 d=1 P=2	4
7	GEIPISO4026M5X6	Hexagon Socket Set Screw with Flat Point ISO 4026 - M5X6	4
8	IVTCIISO1207M3X5	Slotted Cheese Head Screw ISO 1207 - M3X5	2
9	IVTSIISO2009M3X8	Slotted Cheese Head Screw ISO 2009 - M3X8	2
10	IVTSIISO2009M3X12	Slotted Cheese Head Screw ISO 2009 - M3X12	6
11	IVTSIISO2009M4X8	Slotted Cheese Head Screw ISO 2009 - M4X8	8
12	SIP.P.001138	MASK SHAFT	2
13	SIP.P.001139	SPIDER SUPPORT	1
14	SIP.P.001140	CENTRAL SUPPORT	1
15	SIP.P.001145	BUSH	2
16	SIP.P.001146	BUSH	2
17	SIP.P.001147	BUSH	2
18	SIP.P.001148	BUSH	2
19	SIP.P.001151	BUSH	2
20	SIP.P.001199	LOWER PLATE PIN	4
21	SIP.P.001327	PROXIMITY READER	1
22	SIP.P.001857	CENTRAL MASK	1
23	SIP.P.001859	CENTRAL BLADE	1
24	SIP.P.001860L	SIDE BLADE	1
25	SIP.P.001860R	SIDE BLADE	1
26	SIP.P.001862	CENTRAL SLIDING	1
27	SIP.P.002046	ROD	4
28	SIP.P.002048	LOWER PLATE SMALL	1
29	SIP.P.002058	CENTRAL GUIDE	1
30	VTCEIISO4762M4X6	Hexagon Socket Head Cap Screw ISO 4762 - M4X6	4
31	VTCEIISO4762M4X45	Hexagon Socket Head Cap Screw ISO 4762 - M4X45	4
32	VTSEIISO4762M5X16	Hexagon Socket Countersunk Head Screw ISO 10642 - M5X16	1

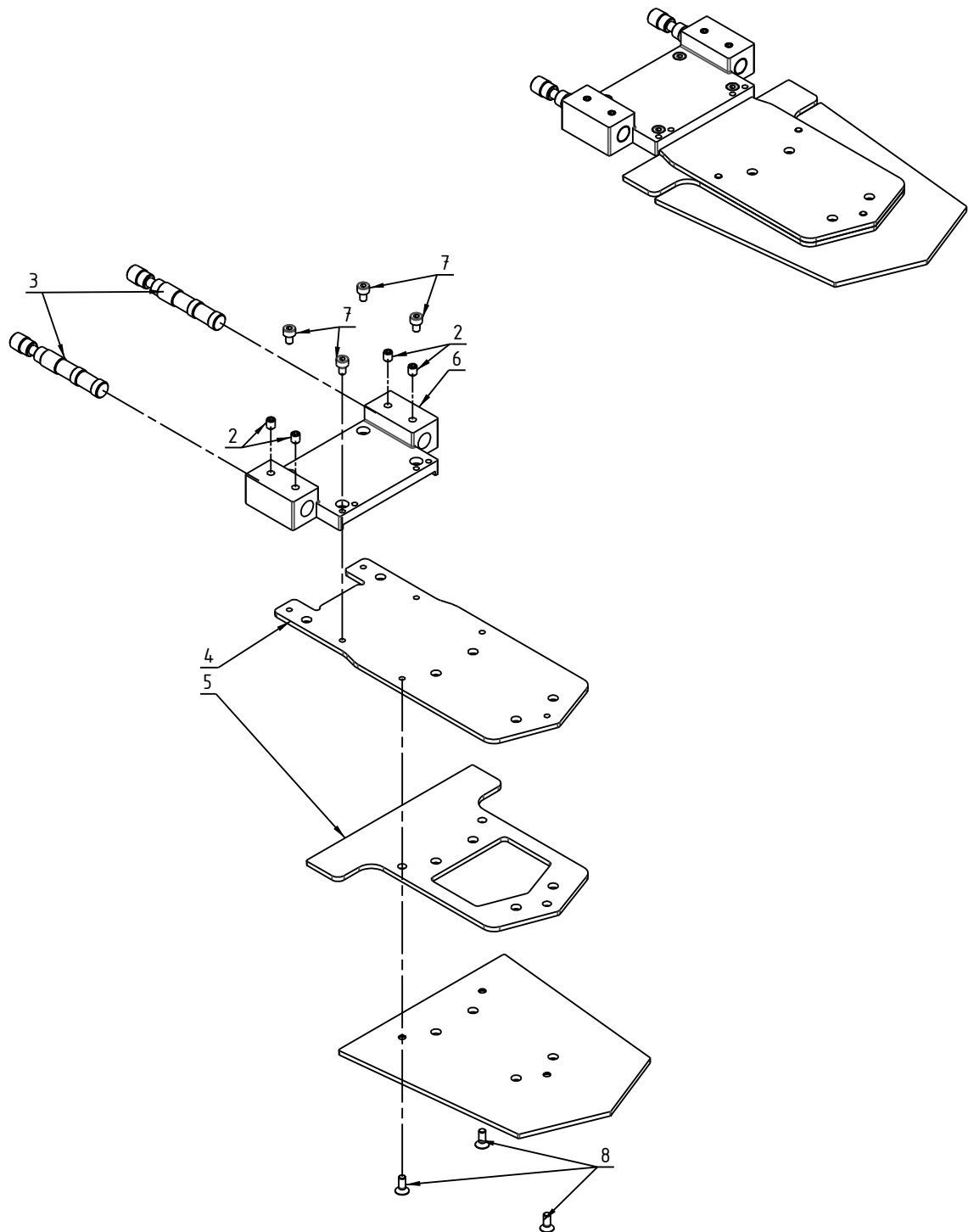


Code - Description :

SIP.A.000467 - RETRACTABLE CLAMP - SMALL TYPE

Unit model :

PS342-FG1SIP
PS342-FG2SIP



POS.	CODICE	Costruttore	Q.TÀ
2	GEIPIISO4026M5X6	Hexagon Socket Set Screw with Flat Point ISO 4026 - M5X6	4
3	SIP.P.001138	MASK SHAFT	2
4	SIP.P.001931	CENTRAL MASK	1
5	SIP.P.001932	SPACER	1
6	SIP.P.001966	SPIDER SUPPORT	1
7	VTCEIISO4762M4X6	Hexagon Socket Head Cap Screw ISO 4762 - M4X6	4
8	VTSEIISO4762M4X10	Hexagon Socket Countersunk Head Screw ISO 10642 - M4X10	3

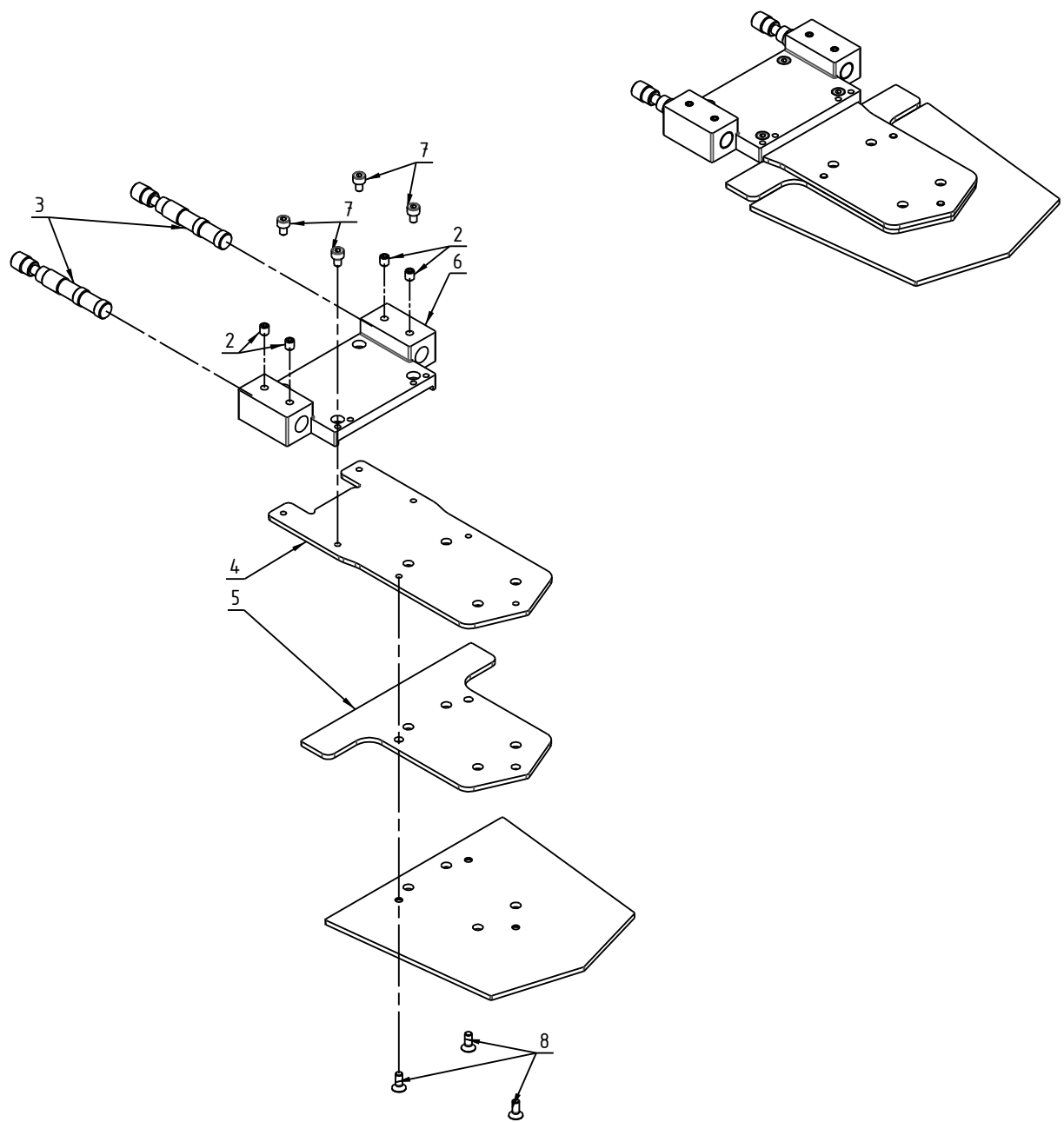


Code - Description :

SIP.A.000481 - INNER CLAMP ASSEMBLY - LARGE TYPE

Unit model :

PS342-FG1SIP
PS342-FG2SIP



POS.	CODICE	Costruttore	Q.TÀ
2	GEIPIISO4026M5X6	Hexagon Socket Set Screw with Flat Point ISO 4026 - M5X6	4
3	SIP.P.001138	MASK SHAFT	2
4	SIP.P.001933	CENTRAL MASK	1
5	SIP.P.001934	SPACER	1
6	SIP.P.001966	SPIDER SUPPORT	1
7	VTCEIISO4762M4X6	Hexagon Socket Head Cap Screw ISO 4762 - M4X6	4
8	VTSEIISO4762M4X10	Hexagon Socket Countersunk Head Screw ISO 10642 - M4X10	3

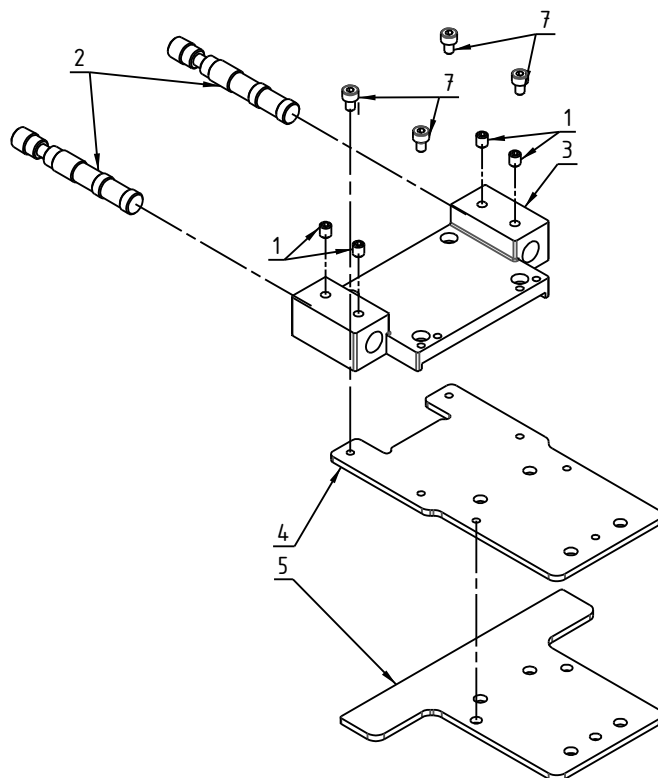
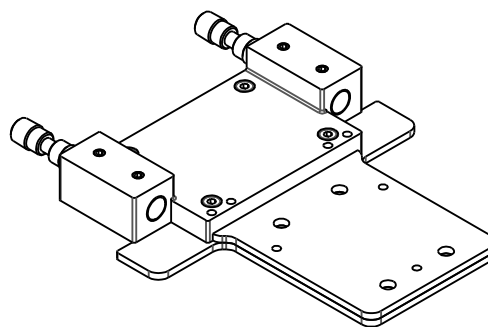


Code - Description :

SIP.A.000482 - INNER CLAMP ASSEMBLY - MEDIUM TYPE

Unit model :

PS342-FG1SIP
PS342-FG2SIP



POS.	CODICE	Costruttore	Q.TÀ
1	GEIISO4026M5X6	Hexagon Socket Set Screw with Flat Point ISO 4026 - M5X6	4
2	SIP.P.001138	MASK SHAFT	2
3	SIP.P.001966	SPIDER SUPPORT	1
4	SIP.P.002073	CENTRAL MASK - TYPE SMALL	1
5	SIP.P.002074	SPACER - SMALL TYPE	1
7	VTCEISO4762M4X6	Hexagon Socket Head Cap Screw ISO 4762 - M4X6	4

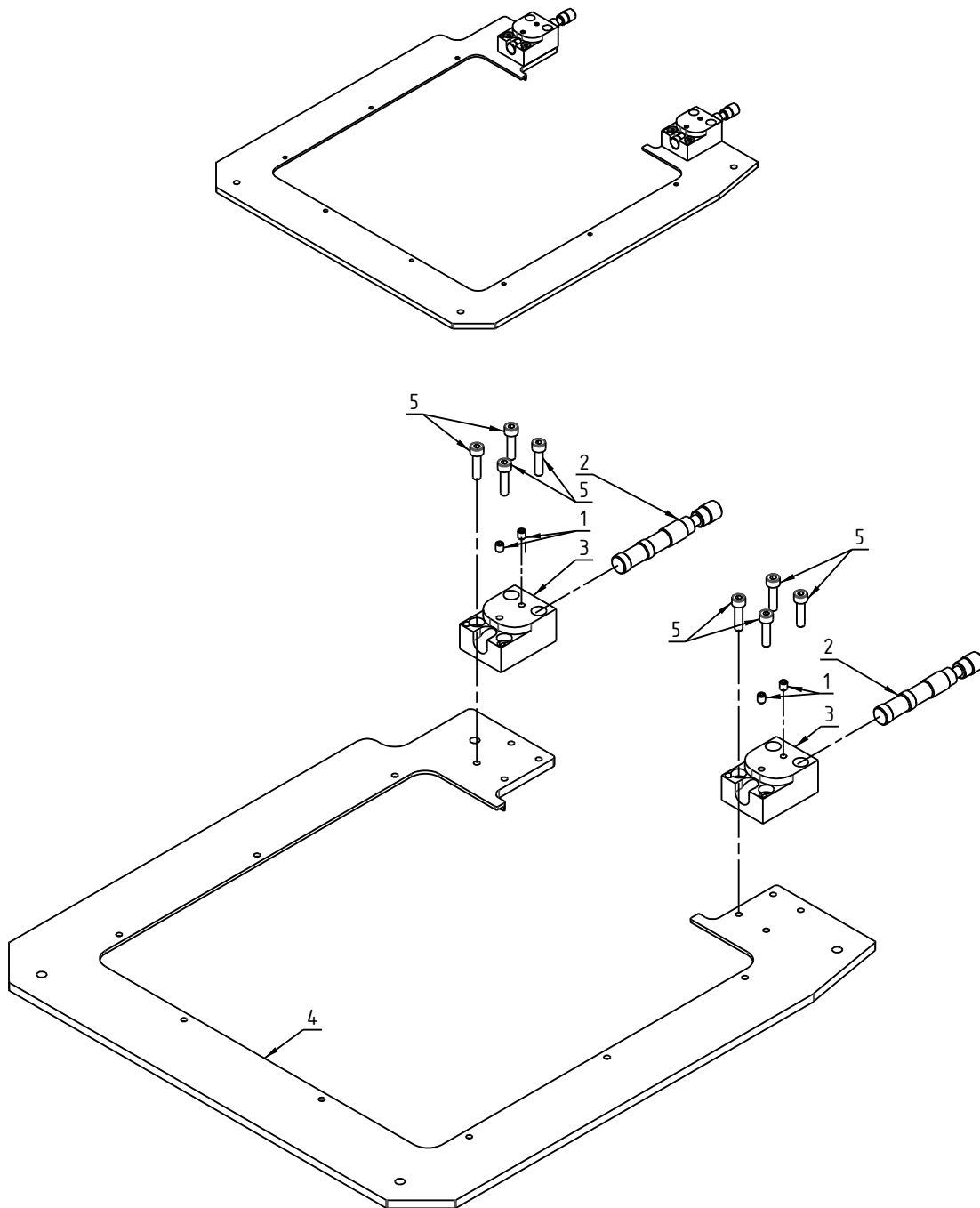


Code - Description :

SIP.A.000513 - INNER CLAMP ASSEMBLY - SMALL TYPE

Unit model :

PS342-FG1SIP
PS342-FG2SIP



POS.	CODICE	Costruttore	Q.TÀ
1	GEIPISO4026M4X5	Hexagon Socket Set Screw with Flat Point ISO 4026 - M4X5	4
2	SIP.P.001138	MASK SHAFT	2
3	SIP.P.001156	SHAFT SUPPORT	2
4	SIP.P.001992	UNIVERSAL HEAD JIG	1
5	VTCEIIISO4762M4X16	Hexagon Socket Head Cap Screw ISO 4762 - M4X16	8

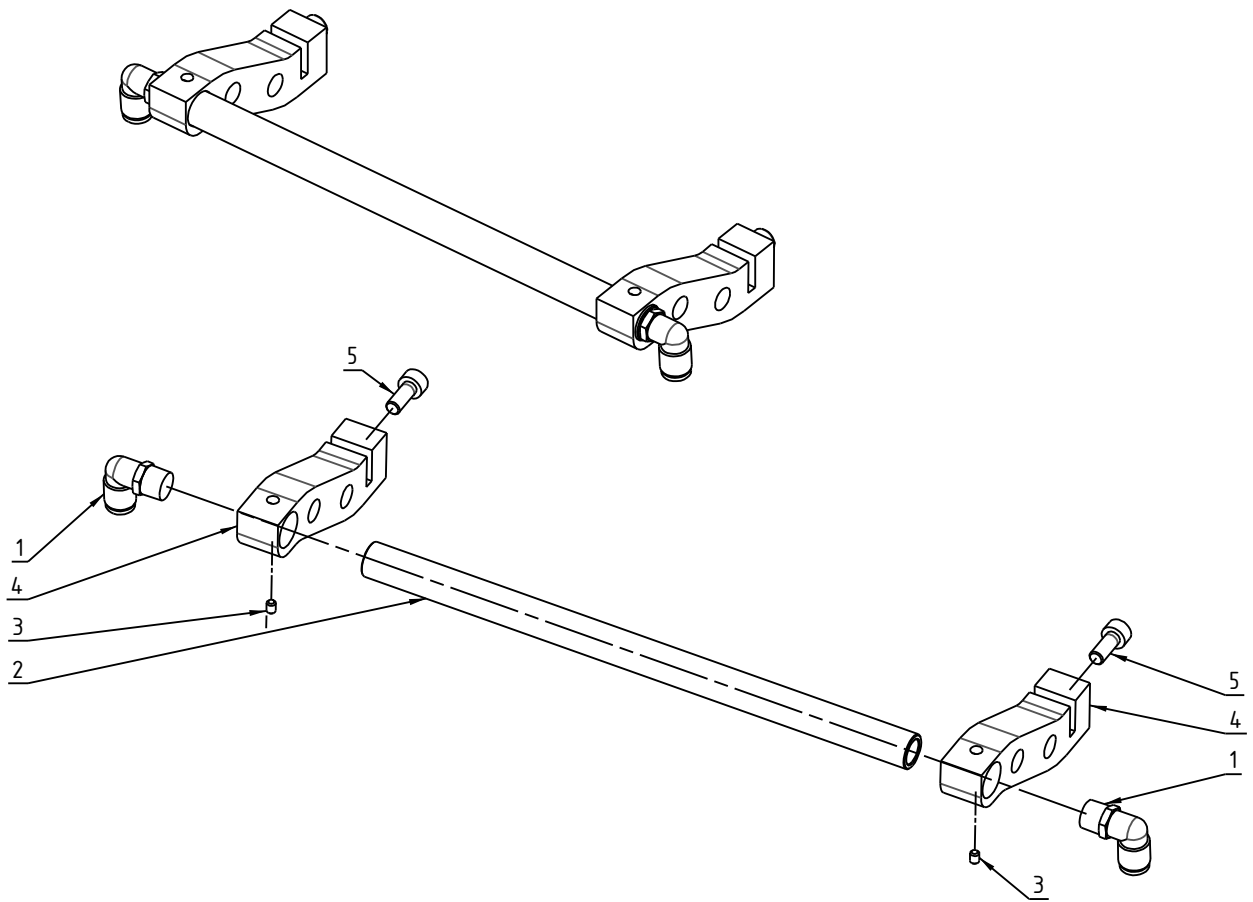
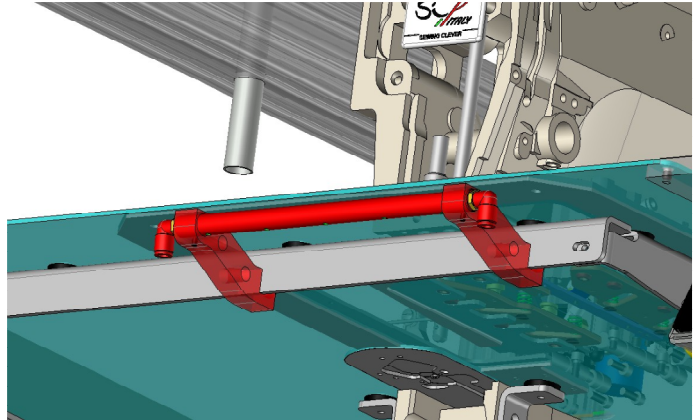


Code - Description :

SIP.A.000501 - HEAD JIG ASSEMBLY

Unit model :

PS342-FG1SIP
PS342-FG2SIP



POS.	CODICE	Costruttore	Q.TÀ
1	COM.000534	FITTING KQ2L06-01AS	2
3	GEIPIISO4026M3X4	Hexagon Socket Set Screw with Flat Point ISO 4026 - M3X4	2
2	SIP.P.001977	AIR TUBE	1
4	SIP.P.001979	AIR TUBE COVER	2
5	VTCEIISO4762M5X12	Hexagon Socket Head Cap Screw ISO 4762 - M5X12	2

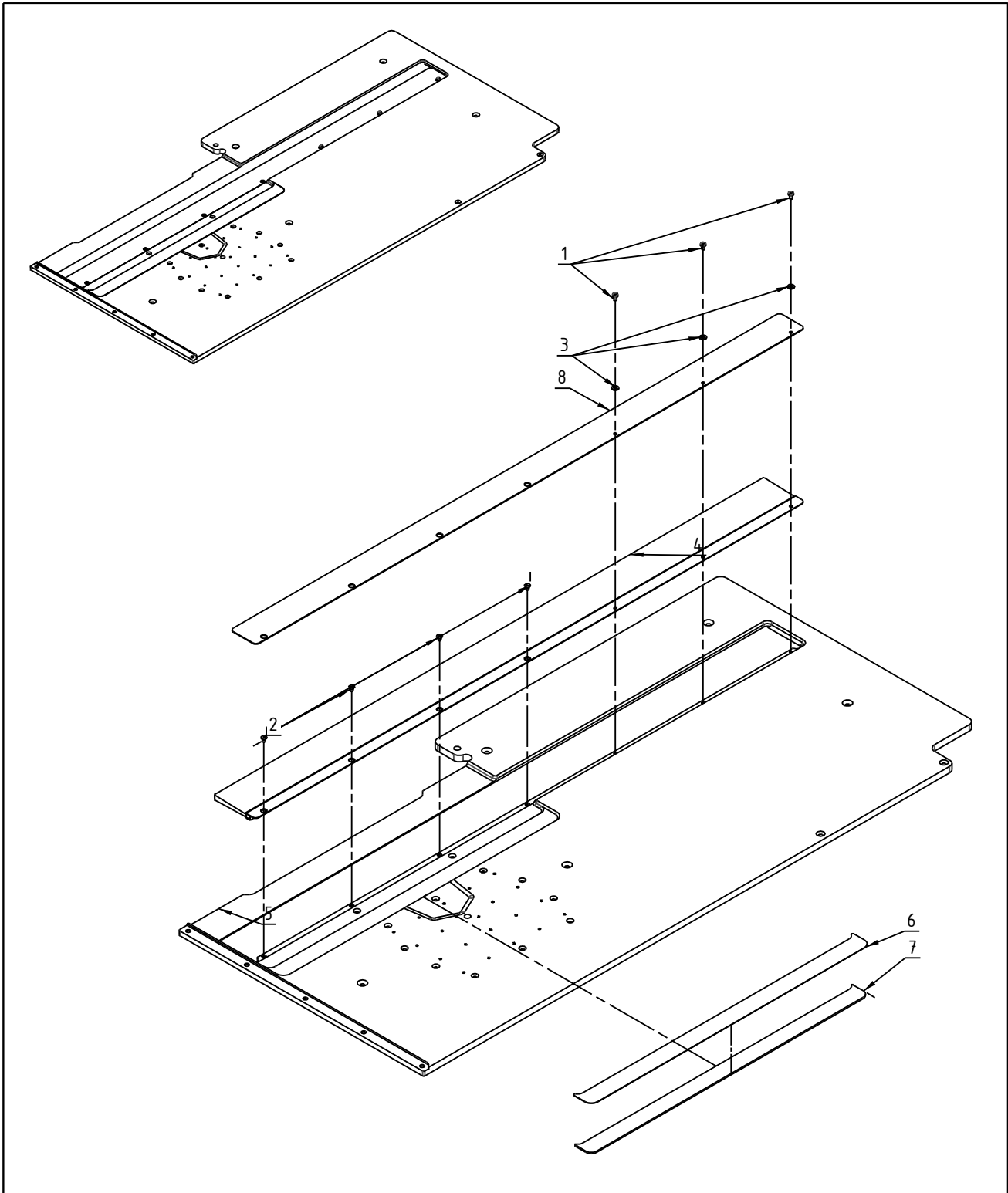


Code - Description :

SIP.A.000483 - AIR TUBE ASSEMBLY

Unit model :

PS342-FG1SIP
PS342-FG2SIP



POS.	CODICE	Costruttore	Q.TÀ
1	IVTCISO1207M4X6	Slotted Cheese Head Screw ISO 1207 - M4X6	3
2	IVTSISO2009M4X6	Slotted Cheese Head Screw ISO 2009 - M4X6	4
3	RPISO70894	Plain Washer - 4	3
4	SIP.P.001789	STRIP BRUSHES	1
5	SIP.P.001963	MAIN TABLE	1
6	SIP.P.002043	CARRIAGE PLANE LEXAN	1
7	SIP.P.002044	ADHESIVE RUBBER	1
8	SIP.P.002062	LEXAN BLADE	1

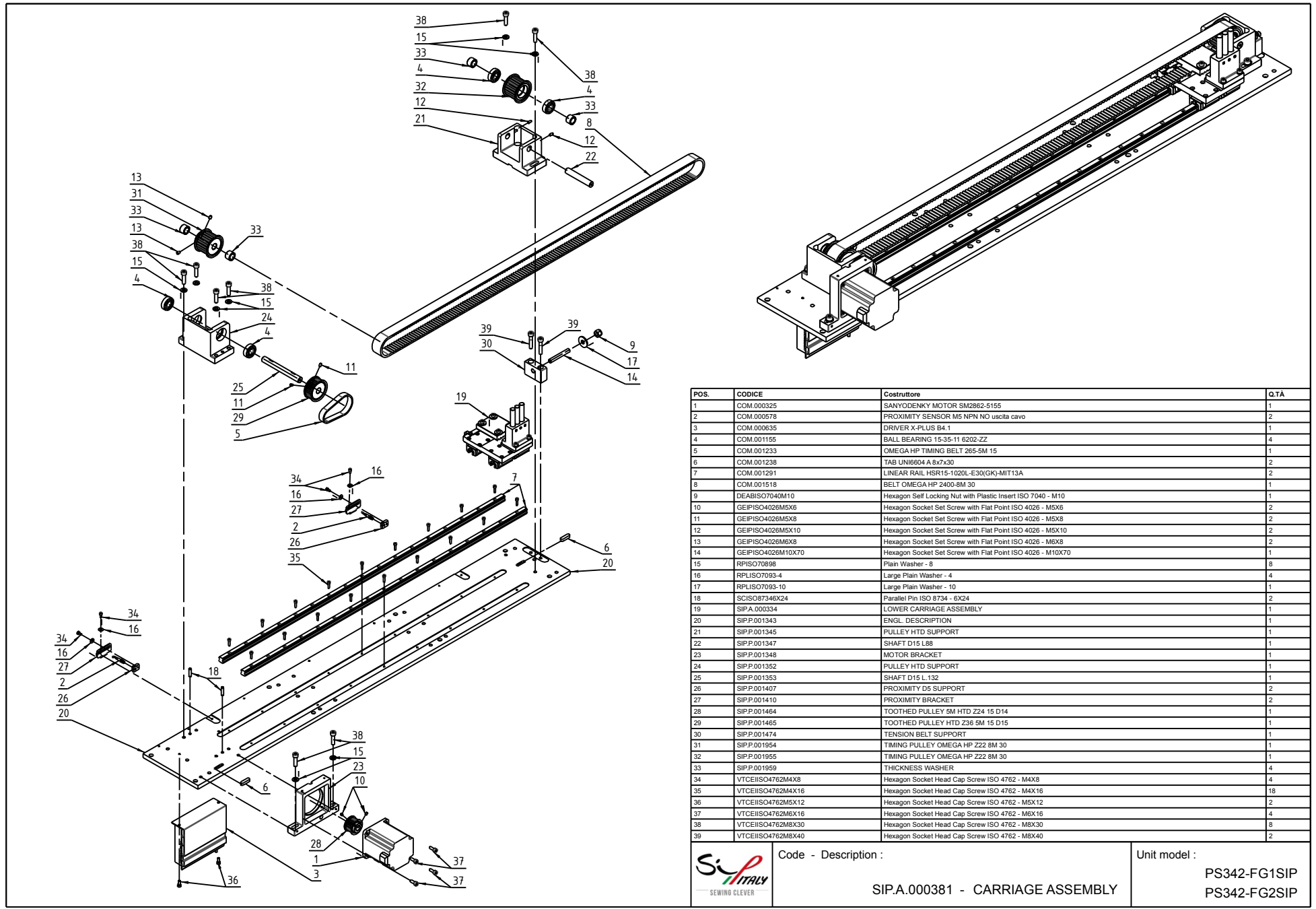


Code - Description :


SIP.A.000345 - MAIN TABLE ASSEMBLY

Unit model :

PS342-FG1SIP
PS342-FG2SIP



POS.	CODICE	Costruttore	Q.TA
1	COM.000325	SANYODENKY MOTOR SM2862-5155	1
2	COM.000578	PROXIMITY SENSOR M5 NPN NO uscita cavo	2
3	COM.000635	DRIVER X-PLUS B4.1	1
4	COM.001155	BALL BEARING 15-35-11 6202-ZZ	4
5	COM.001233	OMEGA HP TIMING BELT 265-5M 15	1
6	COM.001238	TAB UNI6604 A 8x7x30	2
7	COM.001291	LINEAR RAIL HSR15-1020L-E30(GK)-MIT13A	2
8	COM.001518	BELT OMEGA HP 2400-8M 30	1
9	DEABISO7040M10	Hexagon Self Locking Nut with Plastic Insert ISO 7040 - M10	1
10	GEIISO4026M5X8	Hexagon Socket Set Screw with Flat Point ISO 4026 - M5X8	2
11	GEIISO4026M5X8	Hexagon Socket Set Screw with Flat Point ISO 4026 - M5X8	2
12	GEIISO4026M5X10	Hexagon Socket Set Screw with Flat Point ISO 4026 - M5X10	2
13	GEIISO4026M6X8	Hexagon Socket Set Screw with Flat Point ISO 4026 - M6X8	2
14	GEIISO4026M10X70	Hexagon Socket Set Screw with Flat Point ISO 4026 - M10X70	1
15	RPIISO70898	Plain Washer - 8	8
16	RPLISO7093-4	Large Plain Washer - 4	4
17	RPLISO7093-10	Large Plain Washer - 10	1
18	SCISO87346X24	Parallel Pin ISO 8734 - 6X24	2
19	SIP.A.000334	LOWER CARRIAGE ASSEMBLY	1
20	SIPP.001343	ENGL. DESCRIPTION	1
21	SIPP.001345	PULLEY HTD SUPPORT	1
22	SIPP.001347	SHAFT D15 L88	1
23	SIPP.001348	MOTOR BRACKET	1
24	SIPP.001352	PULLEY HTD SUPPORT	1
25	SIPP.001353	SHAFT D15 L.132	1
26	SIPP.001407	PROXIMITY D5 SUPPORT	2
27	SIPP.001410	PROXIMITY BRACKET	2
28	SIPP.001464	TOOTHED PULLEY 5M HTD Z24 15 D14	1
29	SIPP.001465	TOOTHED PULLEY HTD Z36 9M 15 D15	1
30	SIPP.001474	TENSION BELT SUPPORT	1
31	SIPP.001954	TIMING PULLEY OMEGA HP Z22 8M 30	1
32	SIPP.001955	TIMING PULLEY OMEGA HP Z22 8M 30	1
33	SIPP.001959	THICKNESS WASHER	4
34	VTCEIISO4762M4X8	Hexagon Socket Head Cap Screw ISO 4762 - M4X8	4
35	VTCEIISO4762M4X16	Hexagon Socket Head Cap Screw ISO 4762 - M4X16	18
36	VTCEIISO4762M5X12	Hexagon Socket Head Cap Screw ISO 4762 - M5X12	2
37	VTCEIISO4762M6X16	Hexagon Socket Head Cap Screw ISO 4762 - M6X16	4
38	VTCEIISO4762M8X30	Hexagon Socket Head Cap Screw ISO 4762 - M8X30	8
39	VTCEIISO4762M8X40	Hexagon Socket Head Cap Screw ISO 4762 - M8X40	2



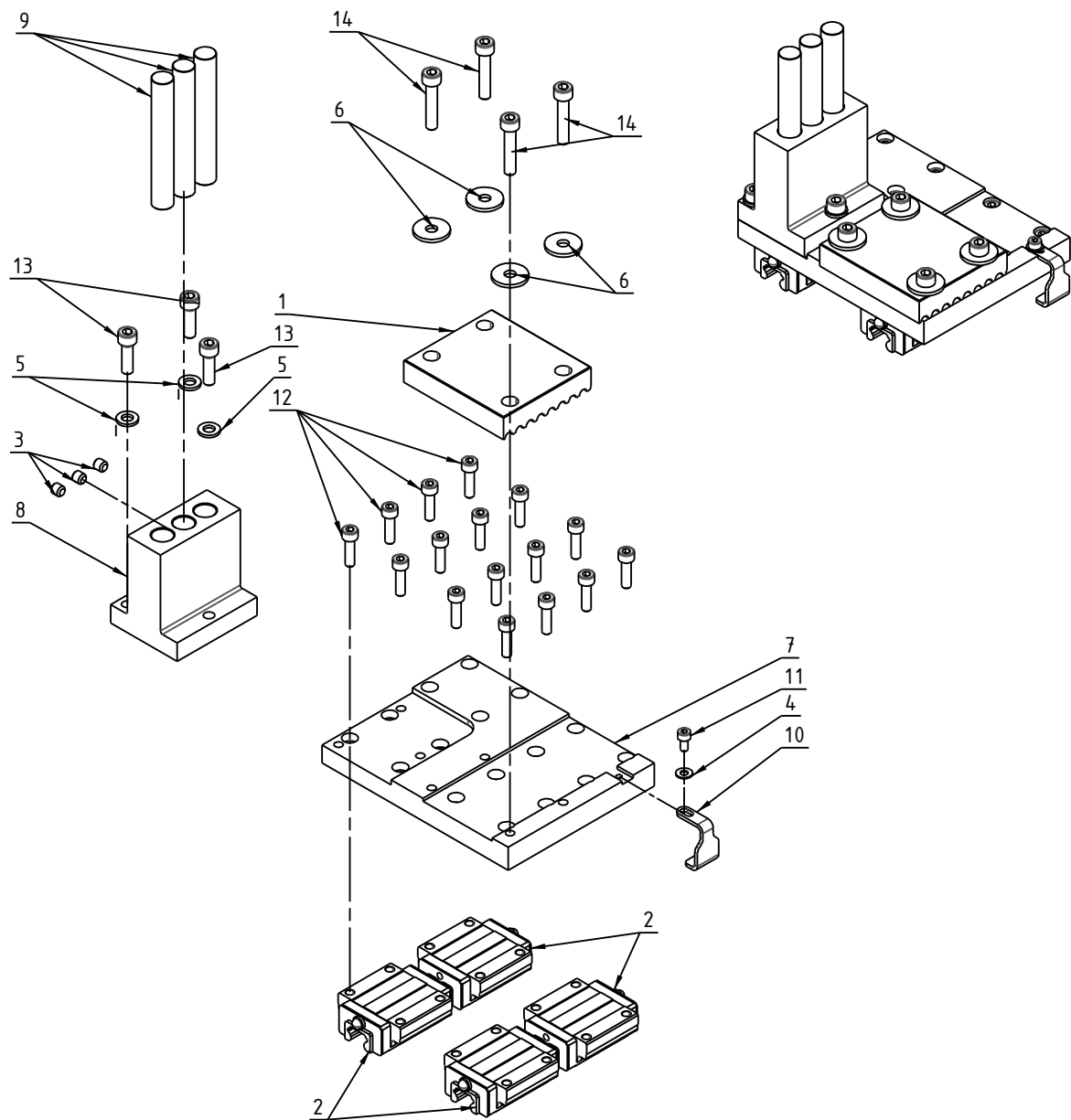
SEWING CLEVER

Code - Description :

SIP.A.000381 - CARRIAGE ASSEMBLY

Unit model :

PS342-FG1SIP
PS342-FG2SIP



POS.	CODICE	Costruttore	Q.TÀ
1	COM.001158	CLAMPING PLATE 8M-50-CP	1
2	COM.001564	LINEAR SLIDER HSR15A1LL(GK)	4
3	GEIPIISO4026M6X6	Hexagon Socket Set Screw with Flat Point ISO 4026 - M6X6	3
4	RPISO70894	Plain Washer - 4	1
5	RPISO70896	Plain Washer - 6	3
6	RPLISO7093-6	Large Plain Washer - 6	4
7	SIP.P.001095	ENGL. DESCRIPTION	1
8	SIP.P.001369	VERTICAL SUPPORT	1
9	SIP.P.001376	LINK SHAFT	3
10	SIP.P.001412	BENT PROXIMITY READER	1
11	VTCEIISO4762M4X8	Hexagon Socket Head Cap Screw ISO 4762 - M4X8	1
12	VTCEIISO4762M5X18	Hexagon Socket Head Cap Screw ISO 4762 - M5X18	16
13	VTCEIISO4762M6X20	Hexagon Socket Head Cap Screw ISO 4762 - M6X20	3
14	VTCEIISO4762M6X30	Hexagon Socket Head Cap Screw ISO 4762 - M6X30	4

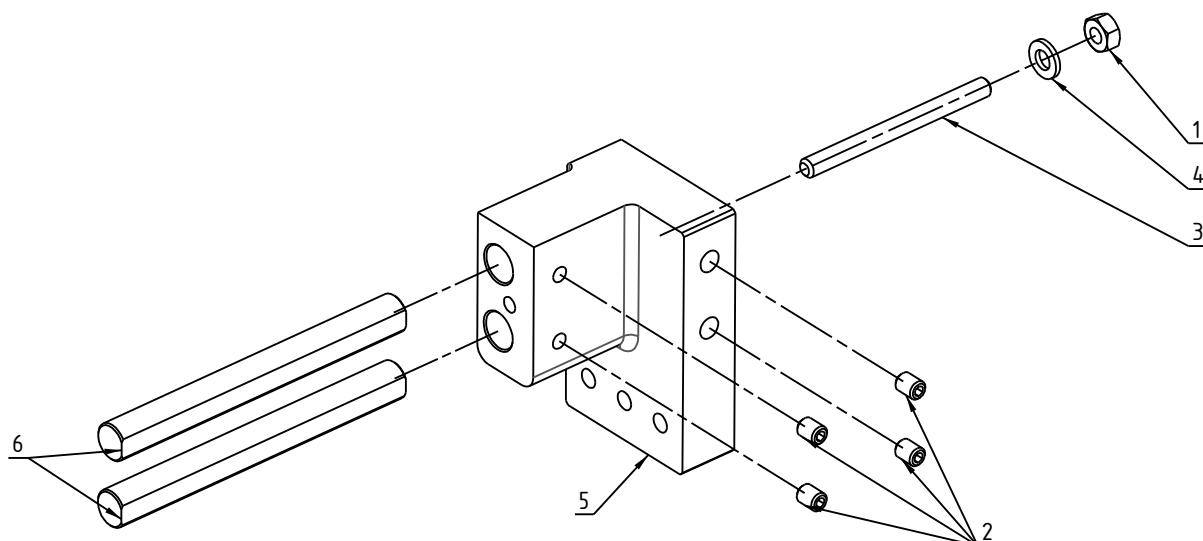
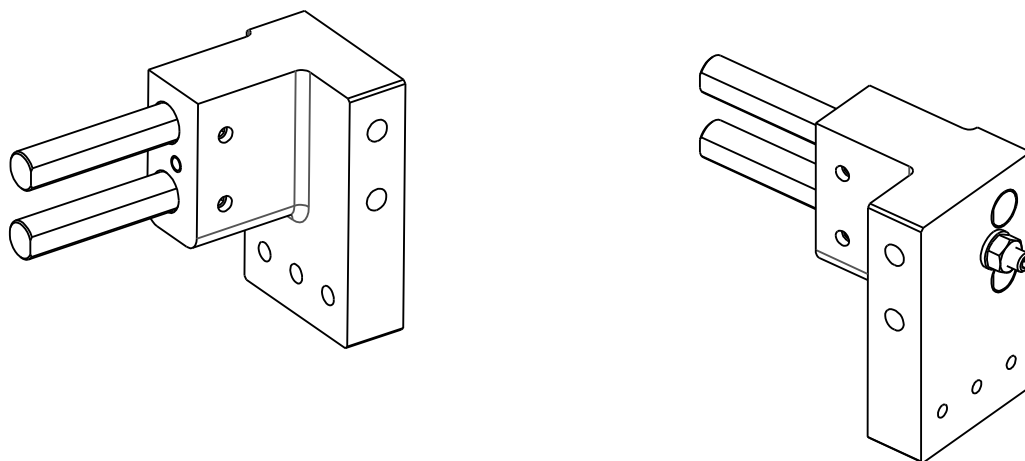


Code - Description :

SIP.A.000334 - LOWER SLIDE ASSEMBLY

Unit model :

PS342-FG1SIP
PS342-FG2SIP



POS.	CODICE	Costruttore	Q.TA
1	DEISO4032M6	Hexagon Nut ISO 4032 - M6	1
2	GEIPIISO4026M6X8	Hexagon Socket Set Screw with Flat Point ISO 4026 - M6X8	4
3	GEIPIISO4026M6X70	Hexagon Socket Set Screw with Flat Point ISO 4026 - M6X70	1
4	RPISO70896	Plain Washer - 6	1
5	SIP.P.001402	UPPER SUPPORT	1
6	SIP.P.001967	SHAFT D12 L110	2

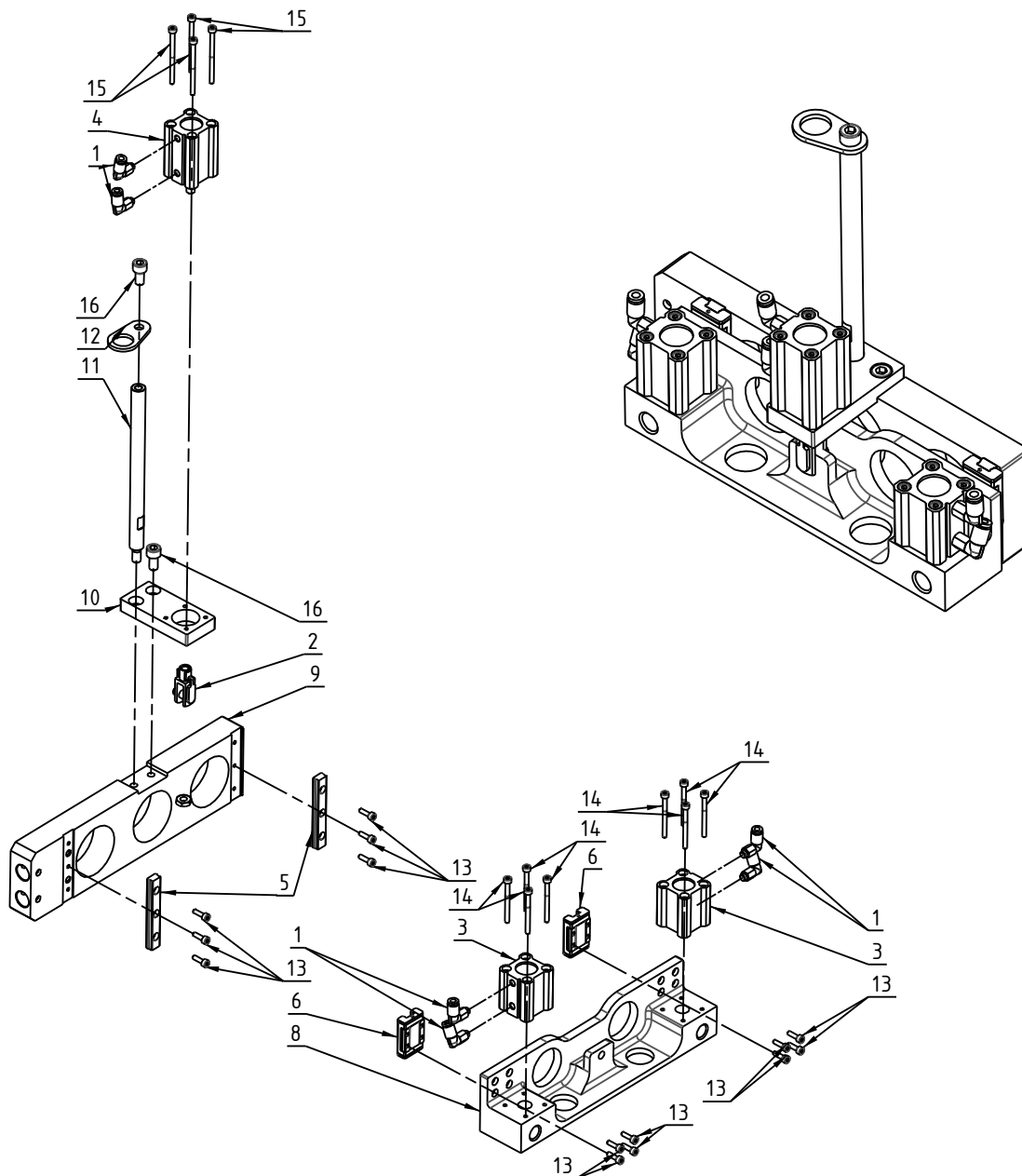


Code - Description :

SIP.A.000344 - UPPER SLIDE ASSEMBLY

Unit model :

PS342-FG1SIP
PS342-FG2SIP



POS.	CODICE	Costruttore	Q.TA
1	COM.000310	FITTING KQ2L04-M5A	6
2	COM.000340	FORC JOINT GKM6-12	1
3	COM.000983	CYLINDER CQ216-15-XA11	2
4	COM.000989	CYLINDER CQ2B16-25DM	1
5	COM.001188	LINEAR RAIL SRS9X-60LM-E10(GK)	2
6	COM.001256	LINEAR SLIDER SRS9XMUUC1(GK)	2
7	DERISO4035M6	Hexagon Thin Nut ISO 4035 - M6	1
8	SIP.P.001114	MAIN SUPPORT	1
9	SIP.P.001115	VERTICAL SUPPORT	1
10	SIP.P.001388	CYLINDER SUPPORT	1
11	SIP.P.001918	CABLE SUPPORT	1
12	SIP.P.001919	FAIRLEAD	1
13	VTCEIISO4762M3X10	Hexagon Socket Head Cap Screw ISO 4762 - M3X10	14
14	VTCEIISO4762M3X35	Hexagon Socket Head Cap Screw ISO 4762 - M3X35	8
15	VTCEIISO4762M3X45	Hexagon Socket Head Cap Screw ISO 4762 - M3X45	4
16	VTCEIISO4762M6X12	Hexagon Socket Head Cap Screw ISO 4762 - M6X12	2

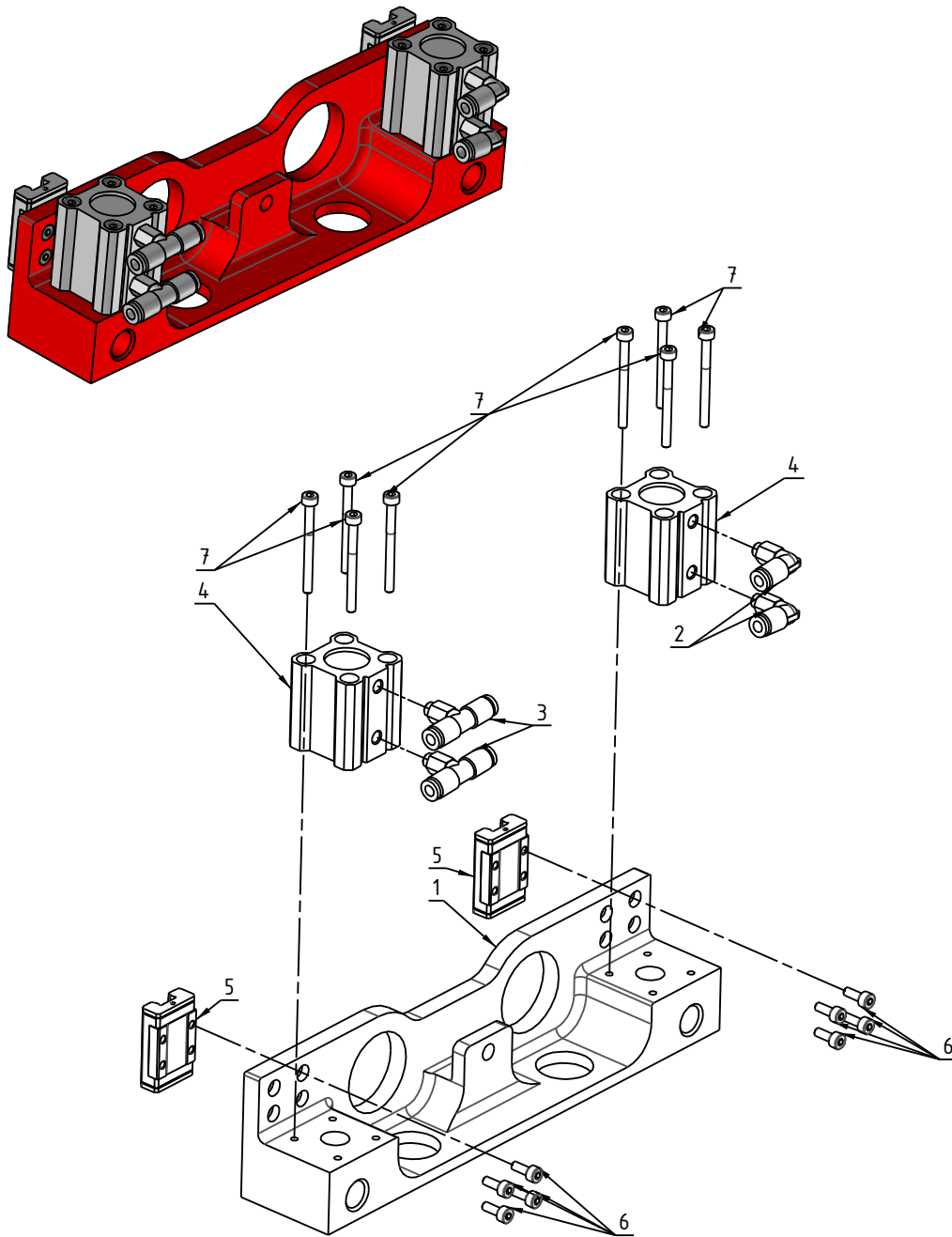


Code - Description :

SIP.A.000273 - CARRIAGE LIFTER ASSEMBLY

Unit model :

PS342-FG1SIP
PS342-FG2SIP



POS	CODE	DESCRIPTION	Q.TY
1	SIP.P.001114	MAIN SUPPORT	1
2	COM.000310	FITTING KQ2L04-M5A	2
3	COM.000657	FITTING KQ2T04-M5A M5	2
4	COM.000983	CYLINDER CQ216-15-XA11	2
5	COM.001256	LINEAR SLIDER SRS9XMUUC1(GK)	2
6	VTCEIISO4762M3X8	Hexagon Socket Head Cap Screw ISO 4762 - M3X8	8
7	VTCEIISO4762M3X35	Hexagon Socket Head Cap Screw ISO 4762 - M3X35	8

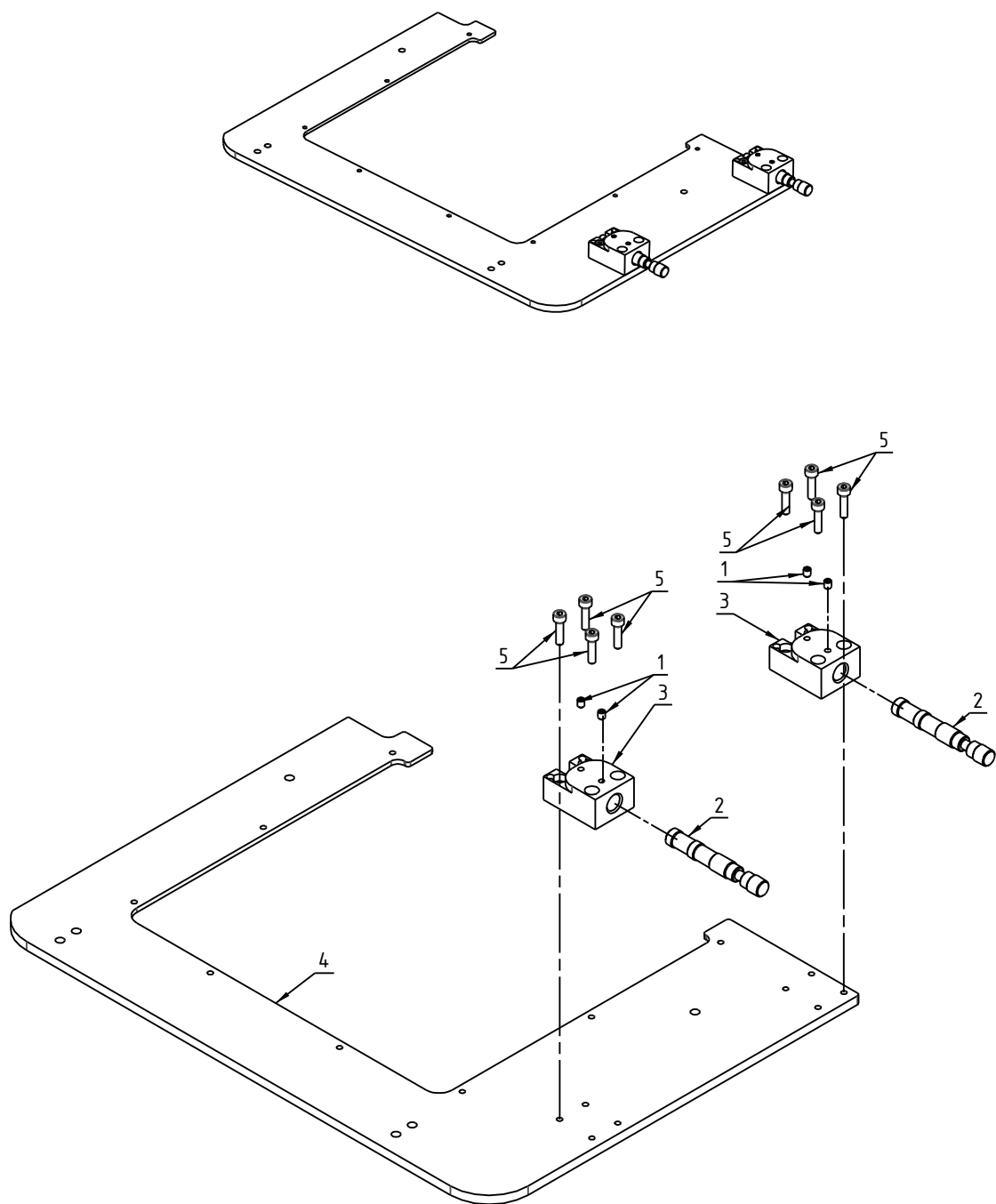


Code - Description :

SIP.A.000363 - LIFTER ASSEMBLY

Unit model :

PS342-FG1SIP
PS342-FG2SIP



POS.	CODICE	Costruttore	Q.TÀ
1	GEIPISO4026M4X5	Hexagon Socket Set Screw with Flat Point ISO 4026 - M4X5	4
2	SIP.P.001138	MASK SHAFT	2
3	SIP.P.001156	SHAFT SUPPORT	2
4	SIP.P.002000	UNIVERSAL CARRIAGE JIG	1
5	VTCEIIISO4762M4X16	Hexagon Socket Head Cap Screw ISO 4762 - M4X16	8

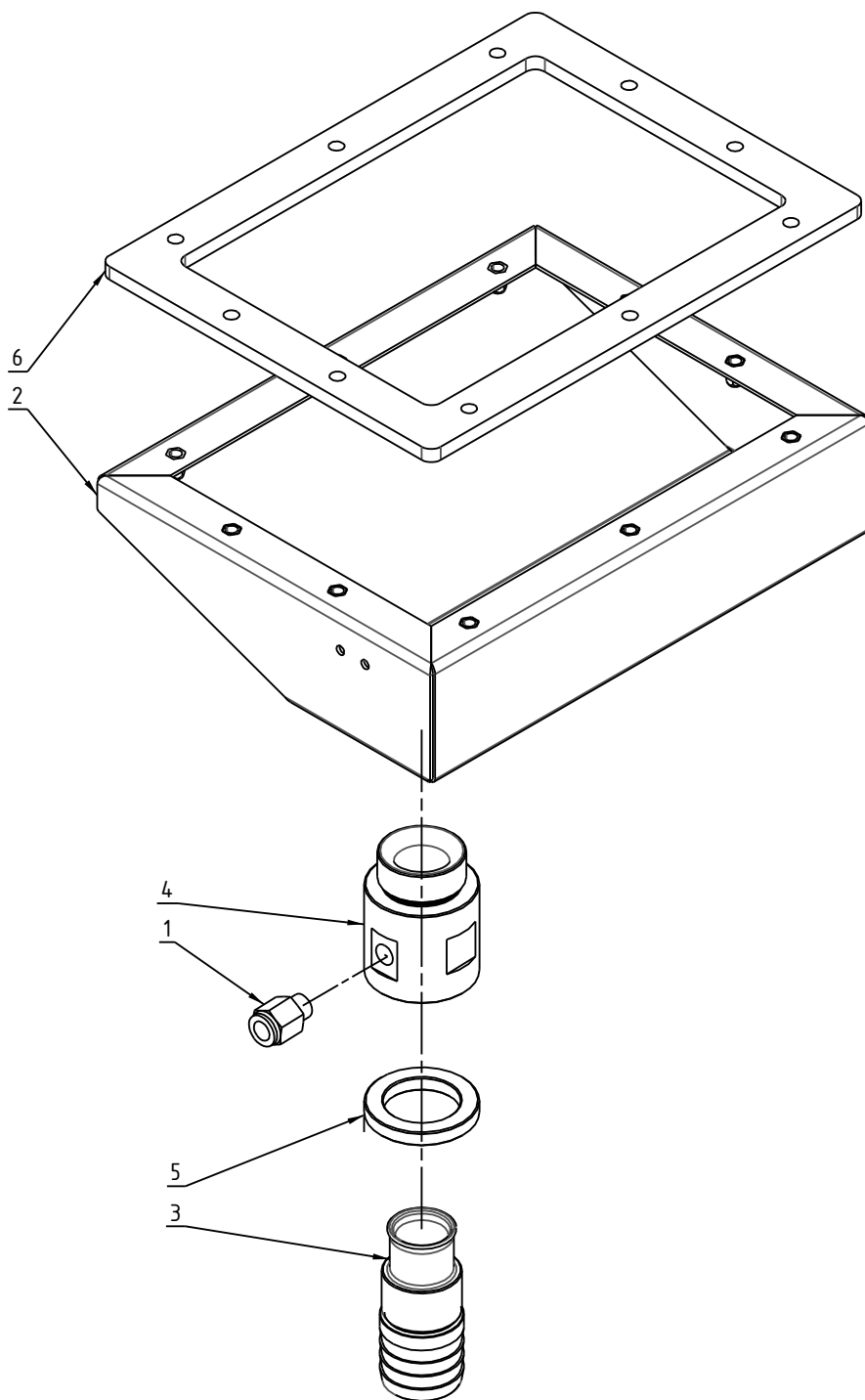


Code - Description :

SIP.A.000500 - CARRIAGE JIG ASSEMBLY

Unit model :

PS342-FG1SIP
PS342-FG2SIP



POS.	CODICE	DESCRIZIONE	Q.TÀ	MATERIALE	TRATTAM. / NOTE	PES. TOT.
5	SIP.P.001604	ASPIRATORE C	1	EN AW-6026 [ALMgSiPb]	Ox. UNI 10681 18-23 ROSSO	0,013kg
4	SIP.P.001603	ASPIRATORE B	1	EN AW-6026 [ALMgSiPb]	Ox. UNI 10681 18-23 ROSSO	0,116kg
3	SIP.P.001602	ASPIRATORE A	1	EN AW-6026 [ALMgSiPb]	Ox. UNI 10681 18-23 ROSSO	0,049kg
2	SIP.A.000485	SCATOLA ASPIRATORE	1			1,055kg
1	COM.000335	SMC RACCORDO KQ2H08-01AS 1/8"	1			

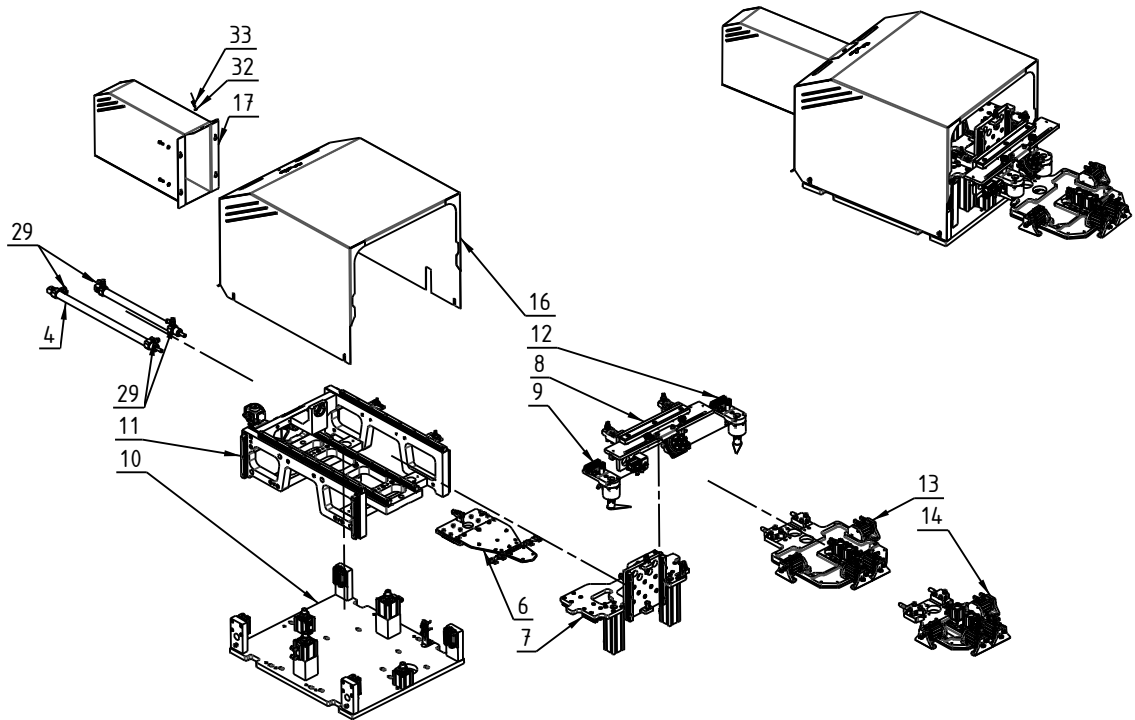


Code - Description :

SIP.A.000383 - VACUUM BOX ASSEMBLY

Unit model :

PS342-FG1SIP
PS342-FG2SIP



2	COM.000334	FITTING KQ2H06-01AS	1
3	COM.000696	CYLINDER C85N20-250C	1
4	COM.001207	SMC CYLINDER C85N20-350C-X2018	1
5	COM.001470	VALVE VSR 500/A 1/8	1
6	SIP.A.000307	FOLDER SUPPORT ASSEMBLY	1
7	SIP.A.000313	UPPER CARRIAGE ASSEMBLY	1
8	SIP.A.000314	VERTICAL CARRIAGE ASSEMBLY	1
9	SIP.A.000318		1
10	SIP.A.000319	BASE ASSEMBLY	1
11	SIP.A.000325	FOLDING GROUP FRAME	1
12	SIP.A.000380		1
13	SIP.A.000487	FOLDERS ASSEMBLY 4C M-L	1
14	SIP.A.000492	FOLDERS ASSEMBLY 4C M-S	1
15	SIP.P.001408	PROXIMITY BRACKET	1
16	SIP.P.001720	FOLDER COVER	1
17	SIP.P.001721	FOLDER COVER 2	1
18	SIP.P.001827	RAPID DISCHARGE SUPPORT	1
19	COM.000323	FORC JOINT GKM8-16	2
20	COM.000578	PROXIMITY SENSOR M5 NPN NO uscita cavo	2
21	COM.001209	GAMM - 6 KNOB LOB M5X20 - 6372025-LP20	2
22	COM.001547	SMC CYLINDER CQ2B32TF-20DCMZ	2
23	DERPFISO8675M22X1.5	Hexagon Thin Nut with Fine Thread ISO 8675 - M22X1.5	2
24	GEIPISO4026M4X5	Hexagon Socket Set Screw with Flat Point ISO 4026 - M4X5	2
25	RPLISO7093-4	Large Plain Washer - 4	2
26	RPLISO7093-5	Large Plain Washer - 5	2
27	SIP.P.001407	PROXIMITY D5 SUPPORT	2
28	VTCEIISO4762M4X8	Hexagon Socket Head Cap Screw ISO 4762 - M4X8	2
29	COM.000529	FLOW REGULATOR AS2201F-01-06SA	4
30	VTCEIISO4762M6X10	Hexagon Socket Head Cap Screw ISO 4762 - M6X10	4
31	IEFTR-M4	Hexagonal threaded insert M4 with flush head	5
32	RPISO70894	Plain Washer - 4	5
33	VTCEIISO4762M4X12	Hexagon Socket Head Cap Screw ISO 4762 - M4X12	5
POS	CODICE	Costruttore	QTA

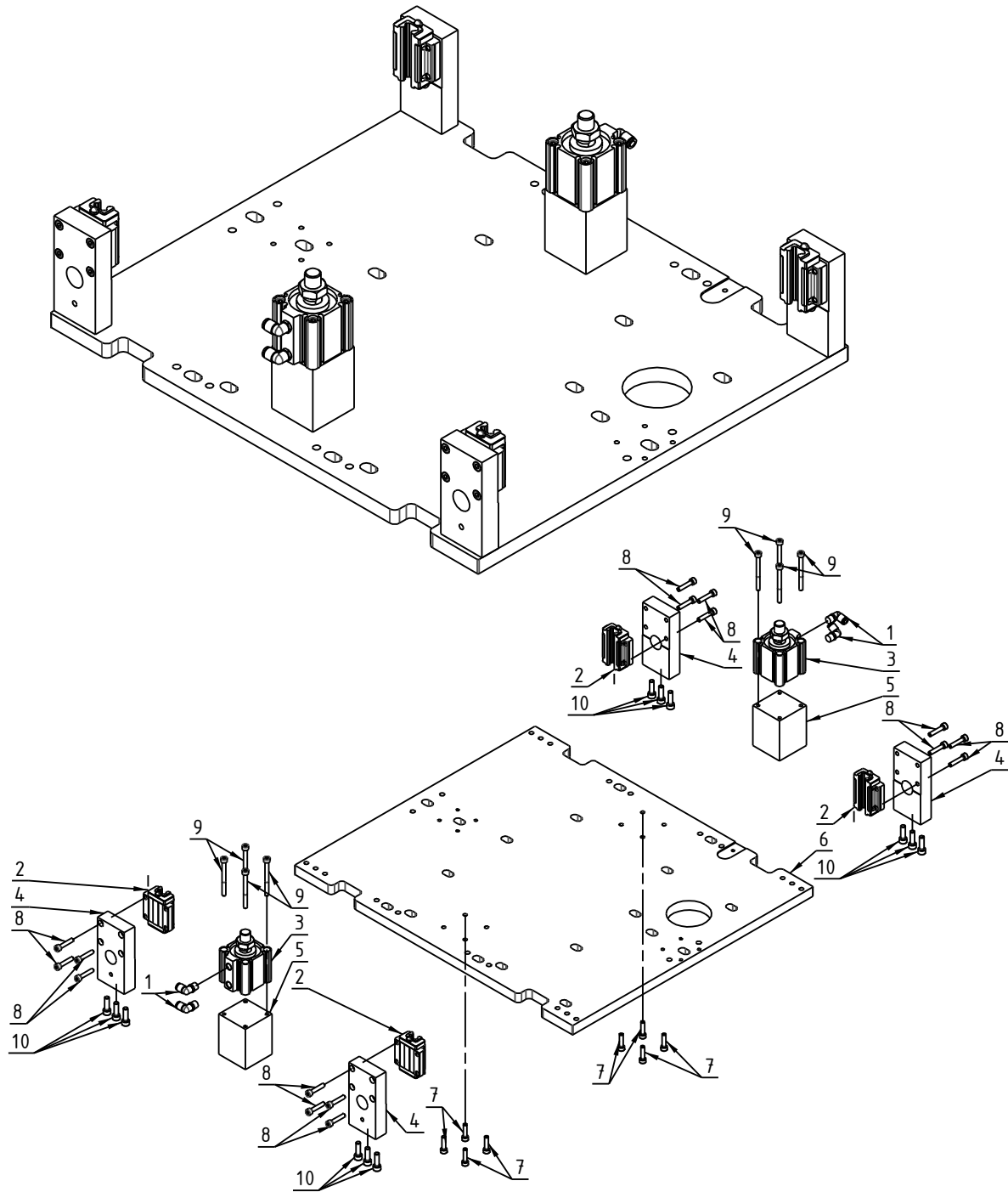


Code - Description :

SIP.A.000326 - FOLDING GROUP ASSEMBLY

Unit model :

PS342-FG1SIP
PS342-FG2SIP



POS.	CODE	DESCRIPTION	Q.TY
1	COM.000534	FITTING KQ2L06-01AS	4
2	COM.001266	LINEAR SLIDER HSR15A1SSC1S(GK)	4
3	COM.001523	SMC CYLINDER CQ2B40TF-20DCMZ	2
4	SIP.P.001299	CARRIAGE SUPPORT	4
5	SIP.P.001784	SPACER	2
6	SIP.P.001945	FOLDING BASE	1
7	VTCEIIISO4762M5X20	Hexagon Socket Head Cap Screw ISO 4762 - M5X20	8
8	VTCEIIISO4762M5X25	Hexagon Socket Head Cap Screw ISO 4762 - M5X25	16
9	VTCEIIISO4762M5X55	Hexagon Socket Head Cap Screw ISO 4762 - M5X55	8
10	VTCEIIISO4762M6X20	Hexagon Socket Head Cap Screw ISO 4762 - M6X20	12

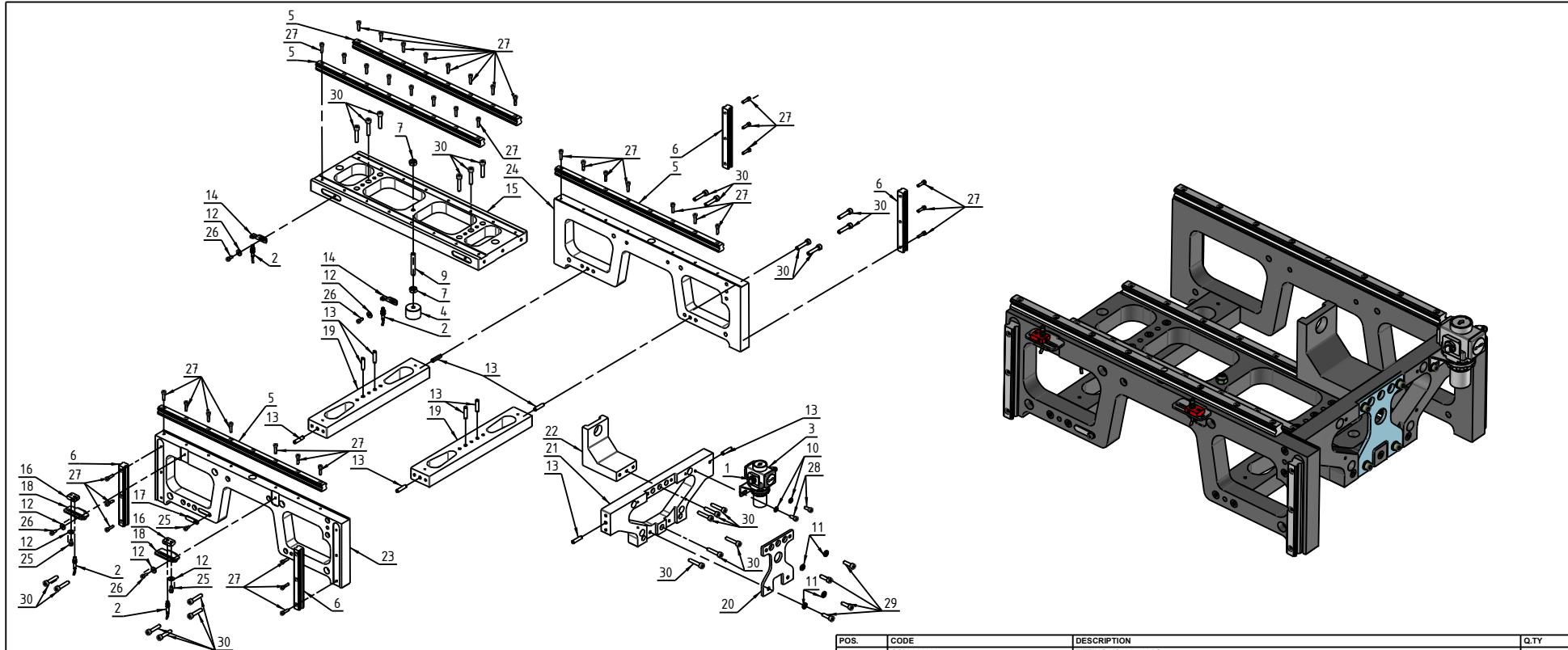


Code - Description :

SIP.A.000319 - BASE ASSEMBLY

Unit model :

PS342-FG1SIP
PS342-FG2SIP



POS.	CODE	DESCRIPTION	Q.TY
1	COM.000336	FITTING KQ2L04-02AS	2
2	COM.000578	PROXIMITY SENSOR M5 NPN NO uscita cavo	4
3	COM.000735	AIR REGULATOR AR20K-F02BE-B-X406	1
4	COM.001094	LEVELLING ELEMENT 7330941	1
5	COM.001293	LINEAR RAIL HSR15-440L-E10(GK)-MIT13A	4
6	COM.001294	LINEAR RAIL HSR15-140L-E10(GK)-MIT13A	4
7	DEISO4032M8	Hexagon Nut ISO 4032 - M8	2
8	DERPFI508675M5X0.5	Hexagon Thin Nut with Fine Thread ISO 8675 - M5X0.5	4
9	CEPISO4026M8X50	Hexagon Socket Set Screw with Flat Point ISO 4026 - M8X50	1
10	RPISO70895	Plain Washer - 5	2
11	RPISO70896	Plain Washer - 6	4
12	RPLISO7093-4	Large Plain Washer - 4	6
13	SCISO87346X26	Parallel Pin ISO 8734 - 6X26	10
14	SIPP.000608	BINDER PROXIMITY SUPPORT	2
15	SIPP.001320	LOWER BRACKET	1
16	SIPP.001407	PROXIMITY DS SUPPORT	2
17	SIPP.001409	PROXIMITY READER	1
18	SIPP.001410	PROXIMITY BRACKET	2
19	SIPP.001444	LOWER HOLDER	2
20	SIPP.001939	CYLINDER BRACKET	1
21	SIPP.001940	BACK BRACKET	1
22	SIPP.001941	UPPER CYLINDER SUPPORT	1
23	SIPP.001942	FRAME HOLDER DX	1
24	SIPP.001943	FRAME HOLDER SX	1
25	VTCEISO4762M4X8	Hexagon Socket Head Cap Screw ISO 4762 - M4X8	3
26	VTCEISO4762M4X10	Hexagon Socket Head Cap Screw ISO 4762 - M4X10	4
27	VTCEISO4762M4X16	Hexagon Socket Head Cap Screw ISO 4762 - M4X16	42
28	VTCEISO4762M5X12	Hexagon Socket Head Cap Screw ISO 4762 - M5X12	2
29	VTCEISO4762M6X20	Hexagon Socket Head Cap Screw ISO 4762 - M6X20	4
30	VTCEISO4762M6X30	Hexagon Socket Head Cap Screw ISO 4762 - M6X30	24

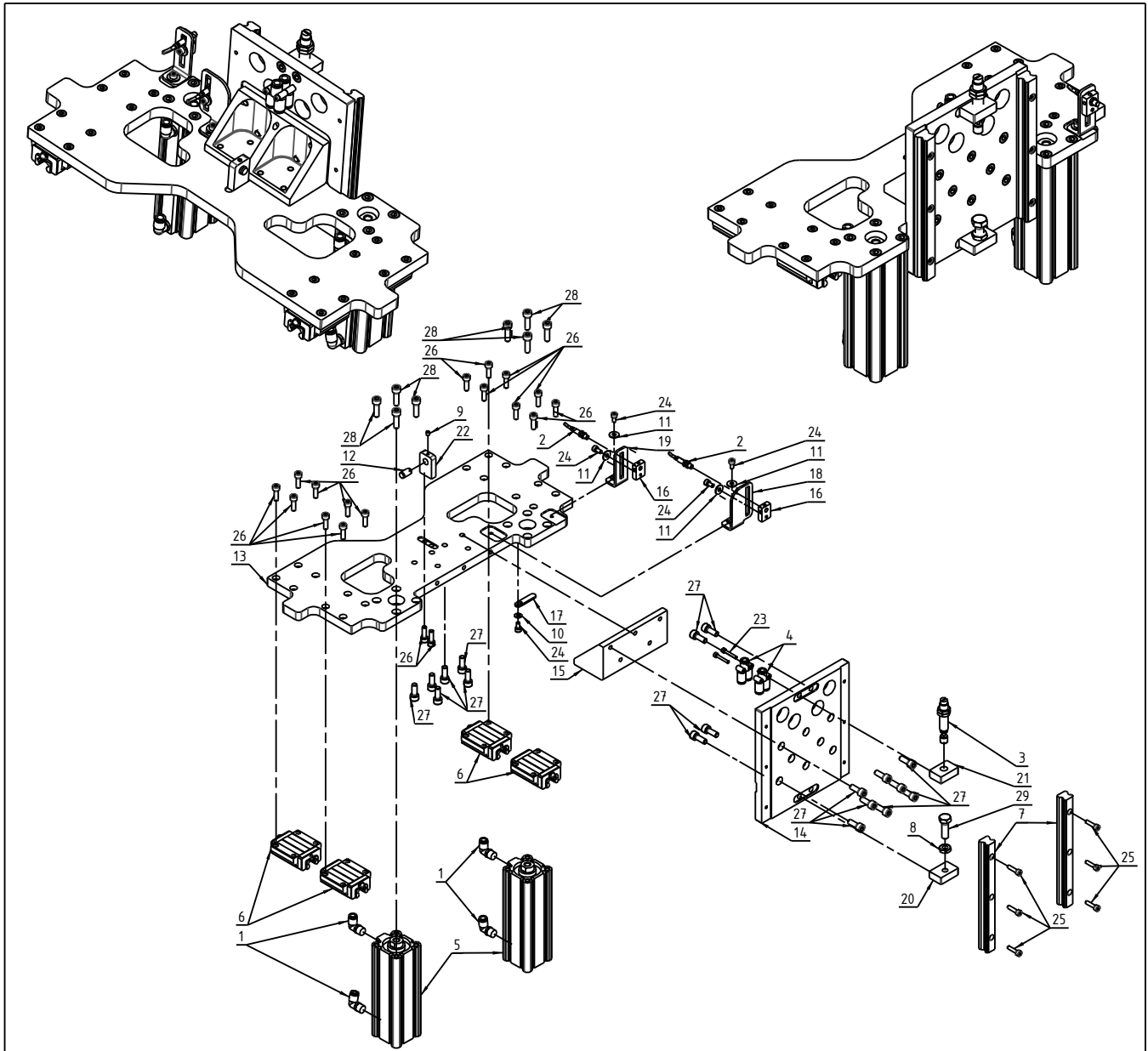


Code - Description :


SIP.A.000325 - FOLDING GROUP FRAME

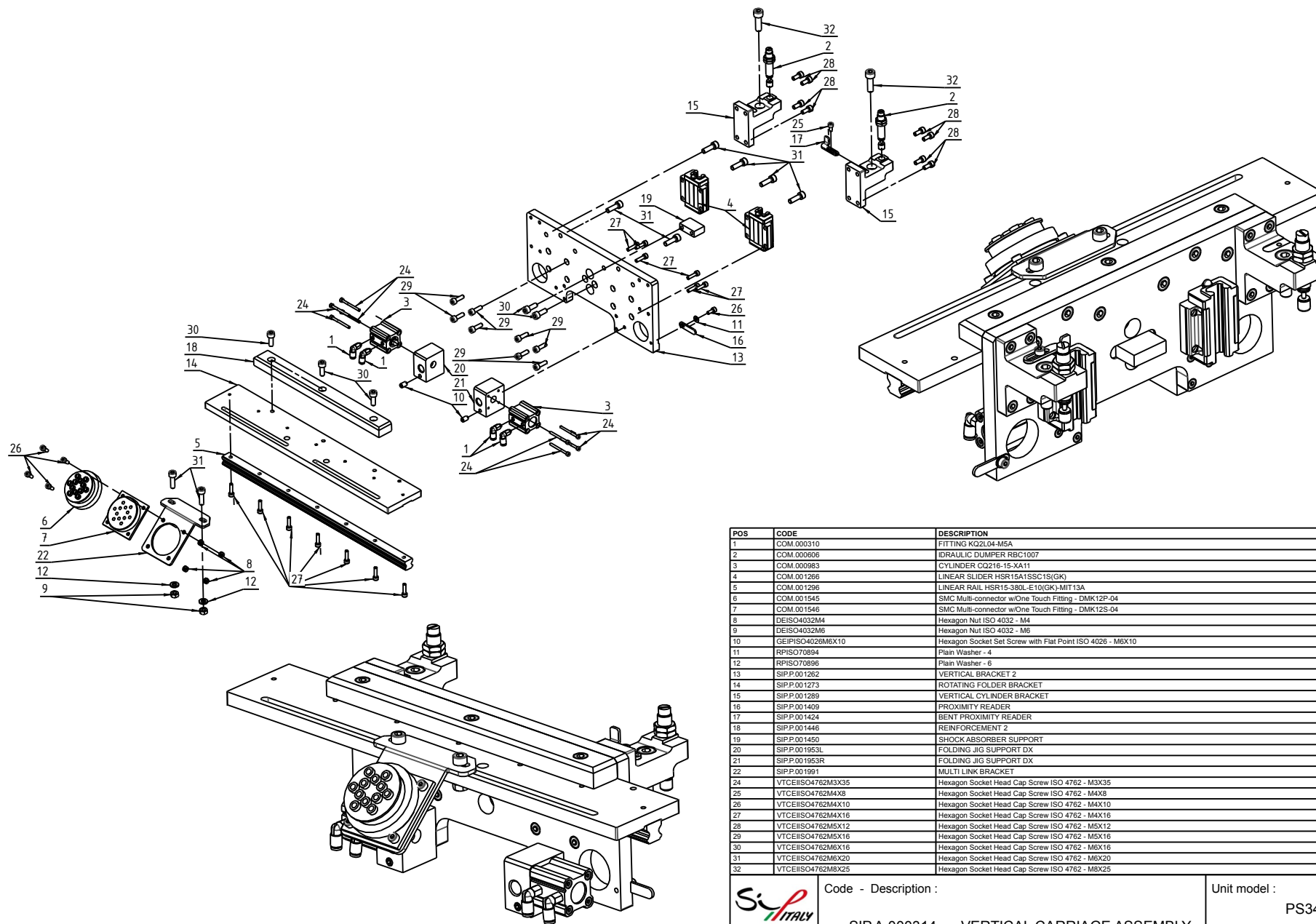
Unit model :

PS342-FG2SIP



POS.	CODE	DESCRIPTION	QTY
1	COM.000534	FITTING KQ2L06-01AS	4
2	COM.000578	PROXIMITY SENSOR M5 NPN NO uscita cavo	2
3	COM.000606	DRAULIC DUMPER RBC1007	1
4	COM.000747	FITTING KQ2U06-00A	2
5	COM.001071	SMC CYLINDER CQ2A32-100DCZ	2
6	COM.001266	LINEAR SLIDER HSR15A1SSC1S(GK)	4
7	COM.001295	LINEAR RAIL HSR15-160L-E20(GK)-MIT13A	2
8	DERISO4035M8	Hexagon Thin Nut ISO 4035 - M8	1
9	GEIPISO4026M4X5	Hexagon Socket Set Screw with Flat Point ISO 4026 - M4X5	1
10	RPISO70894	Plain Washer - 4	1
11	RPLISO7093-4	Large Plain Washer - 4	4
12	SCISO87348X14	Parallel Pin ISO 8734 - 8X14	1
13	SIP.P.001259	CARRIAGE BRACKET	1
14	SIP.P.001260	VERTICAL BRACKET	1
15	SIP.P.001271	REINFORCE	1
16	SIP.P.001407	PROXIMITY D5 SUPPORT	2
17	SIP.P.001409	PROXIMITY READER	1
18	SIP.P.001425	PROXIMITY BRACKET	1
19	SIP.P.001426	PROXIMITY BRACKET	1
20	SIP.P.001451	BRACKET	1
21	SIP.P.001452	SHOCK ABSORBER SUPPORT	1
22	SIP.P.001591	CLIP BRACKET D8	1
23	VTCEIISO4762M3X20	Hexagon Socket Head Cap Screw ISO 4762 - M3X20	2
24	VTCEIISO4762M4X8	Hexagon Socket Head Cap Screw ISO 4762 - M4X8	5
25	VTCEIISO4762M4X16	Hexagon Socket Head Cap Screw ISO 4762 - M4X16	6
26	VTCEIISO4762M5X16	Hexagon Socket Head Cap Screw ISO 4762 - M5X16	18
27	VTCEIISO4762M6X16	Hexagon Socket Head Cap Screw ISO 4762 - M6X16	18
28	VTCEIISO4762M6X20	Hexagon Socket Head Cap Screw ISO 4762 - M6X20	8
29	VTEISO4017M8X25	Hexagon Screw ISO 4017 - M8X25	1

	Code - Description :	Unit model :
	SIP.A.000313 - UPPER CARRIAGE ASSEMBLY	

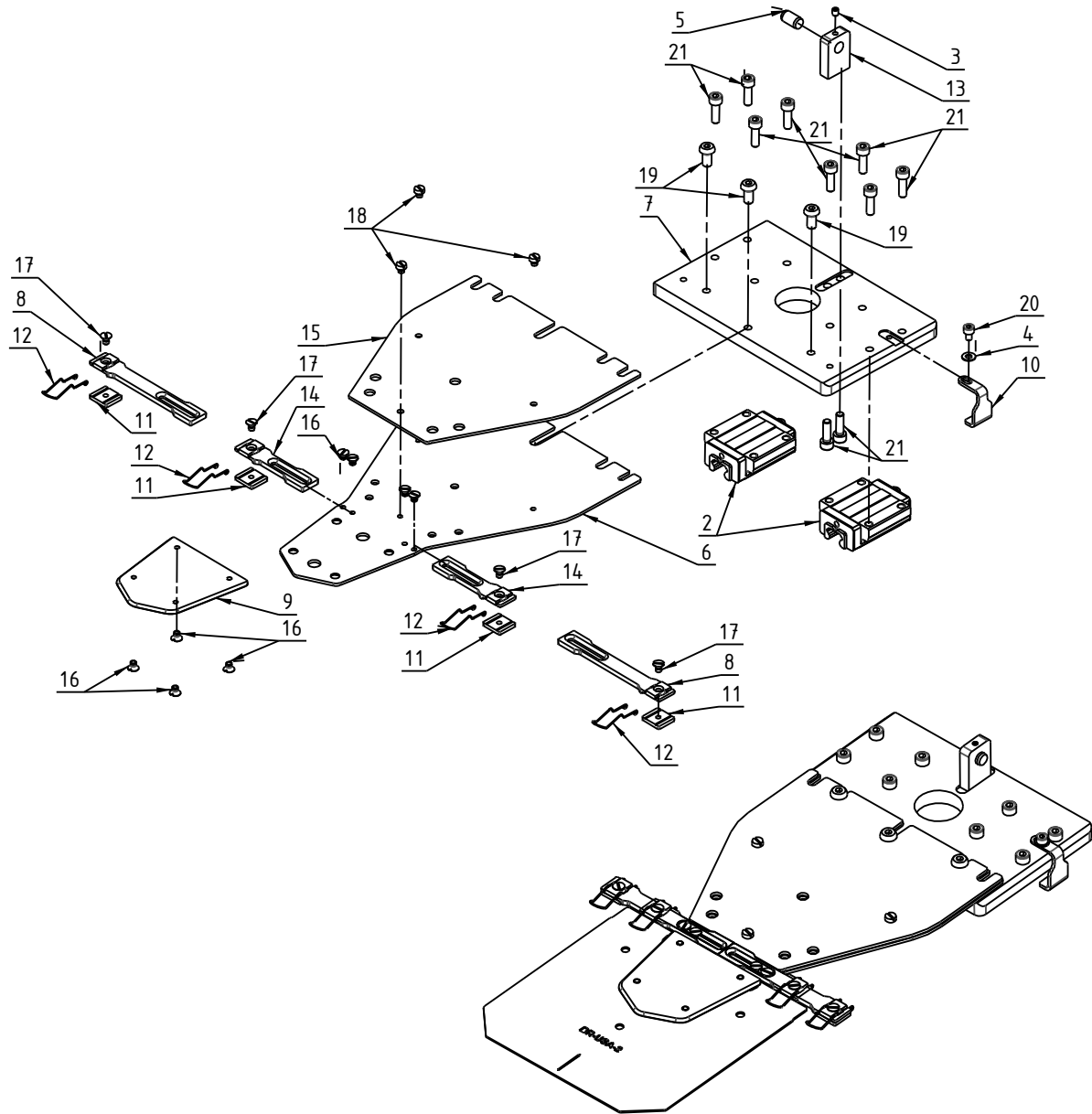


POS	CODE	DESCRIPTION	Q.TY
1	COM.000310	FITTING KQ2L04-M5A	4
2	COM.000606	IDRAULIC DUMPER RBC1007	2
3	COM.000983	CYLINDER CQ216-15-XA11	2
4	COM.001266	LINEAR SLIDER HSR15A1SSC1S(GK)	2
5	COM.001296	LINEAR RAIL HSR15-380L-E10(GK)-MIT13A	1
6	COM.001545	SMC Multi-connector w/One Touch Fitting - DMK12P-04	1
7	COM.001546	SMC Multi-connector w/One Touch Fitting - DMK12S-04	1
8	DEISO4032M4	Hexagon Nut ISO 4032 - M4	4
9	DEISO4032M6	Hexagon Nut ISO 4032 - M6	2
10	GEIPISO4026M6X10	Hexagon Socket Set Screw with Flat Point ISO 4026 - M6X10	2
11	RPISO70894	Plain Washer - 4	1
12	RPISO70896	Plain Washer - 6	2
13	SIPP.001262	VERTICAL BRACKET 2	1
14	SIPP.001273	ROTATING FOLDER BRACKET	1
15	SIPP.001289	VERTICAL CYLINDER BRACKET	2
16	SIPP.001409	PROXIMITY READER	1
17	SIPP.001424	BENT PROXIMITY READER	1
18	SIPP.001446	REINFORCEMENT 2	1
19	SIPP.001450	SHOCK ABSORBER SUPPORT	1
20	SIPP.001953L	FOLDING JIG SUPPORT DX	1
21	SIPP.001953R	FOLDING JIG SUPPORT DX	1
22	SIPP.001991	MULTI LINK BRACKET	1
24	VTCEISO4762M3X35	Hexagon Socket Head Cap Screw ISO 4762 - M3X35	8
25	VTCEISO4762M4X8	Hexagon Socket Head Cap Screw ISO 4762 - M4X8	1
26	VTCEISO4762M4X10	Hexagon Socket Head Cap Screw ISO 4762 - M4X10	5
27	VTCEISO4762M4X16	Hexagon Socket Head Cap Screw ISO 4762 - M4X16	13
28	VTCEISO4762M5X12	Hexagon Socket Head Cap Screw ISO 4762 - M5X12	8
29	VTCEISO4762M5X16	Hexagon Socket Head Cap Screw ISO 4762 - M5X16	8
30	VTCEISO4762M6X16	Hexagon Socket Head Cap Screw ISO 4762 - M6X16	5
31	VTCEISO4762M8X20	Hexagon Socket Head Cap Screw ISO 4762 - M8X20	8
32	VTCEISO4762M8X25	Hexagon Socket Head Cap Screw ISO 4762 - M8X25	2

Code - Description : **SIP.A.000314 - VERTICAL CARRIAGE ASSEMBLY**

Unit model : **PS342-FG1SIP
PS342-FG2SIP**





POS.	CODE	DESCRIPTION	Q.TY
2	COM.001266	LINEAR SLIDER HSR15A1SSC1S(GK)	2
3	GEIPISO4026M4X5	Hexagon Socket Set Screw with Flat Point ISO 4026 - M4X5	1
4	RPISO70894	Plain Washer - 4	1
5	SCISO87348X14	Parallel Pin ISO 8734 - 8X14	1
6	SIP.P.001238	FOLDER SUPPORT	1
7	SIP.P.001239	CARRIAGE FOLDER SUPPORT	1
8	SIP.P.001268	SPRING SUPPORT M-L	2
9	SIP.P.001302	COVER	1
10	SIP.P.001412	BENT PROXIMITY READER	1
11	SIP.P.001447	LOCK-FABRIC PLUG	4
12	SIP.P.001448	POCKET-RETAINER SPRING	4
13	SIP.P.001591	CLIP BRACKET D8	1
14	SIP.P.001785	SPRING SUPPORT S-M	2
15	SIP.P.001896	REINGORCE	1
16	VS-TCS-DIN963 INOX A4 M4X5	counter screw DIN963 M4X5 INOX A4	8
17	VS-TCS-DIN963 INOX A4 M4X6	counter screw DIN963 M4X6 INOX A4	4
18	VS-TCT-DIN84 INOX A4 M4X4	special screw DIN84 A4 M4x4	3
19	VTBEIISO7380M6X12	Hexagon Socket Pan Head Cap Screw ISO 7380 - M6X12	3
20	VTCEIISO4762M4X6	Hexagon Socket Head Cap Screw ISO 4762 - M4X6	1
21	VTCEIISO4762M5X16	Hexagon Socket Head Cap Screw ISO 4762 - M5X16	10

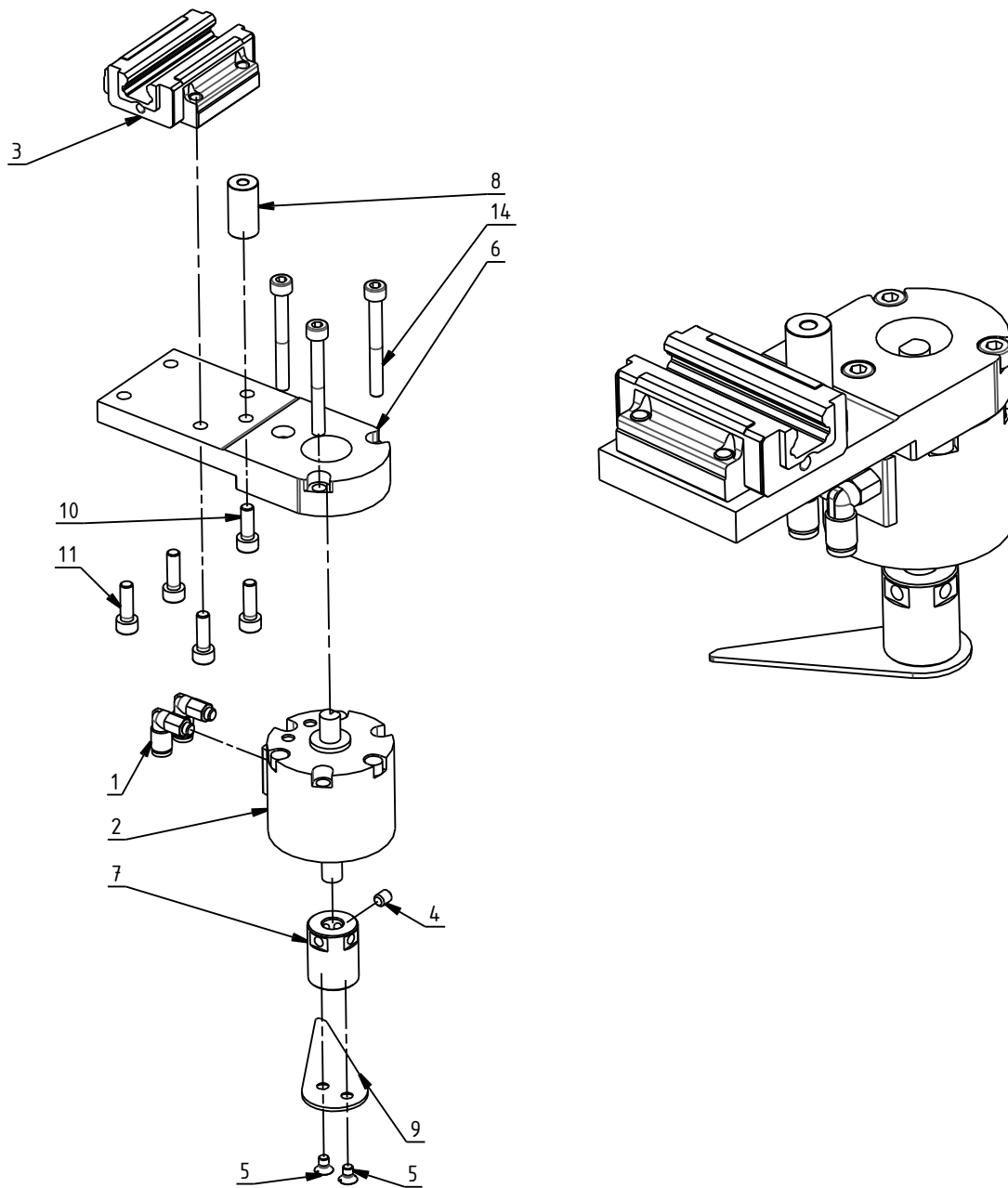


Code - Description :

SIP.A.000307 - FOLDER SUPPORT ASSEMBLY

Unit model :

PS342-FG1SIP
PS342-FG2SIP



POS	CODE	DESCRIPTION	Q.TY
1	COM.000310	FITTING KQ2L04-M5A	2
2	COM.001053	SMC ROTATING ACTUATOR CRB2BW30-180SZ	1
3	COM.001266	LINEAR SLIDER HSR15A1SSC1S(GK)	1
4	GEIPIISO4026M5X6	Hexagon Socket Set Screw with Flat Point ISO 4026 - M5X6	1
5	IVTSISO2009M4X6	Slotted Cheese Head Screw ISO 2009 - M4X6	2
6	SIP.P.001274		1
7	SIP.P.001276		1
8	SIP.P.001277		1
9	SIP.P.001716R	ROTARY BLADE DX	1
10	VTCEISO4762M5X14	Hexagon Socket Head Cap Screw ISO 4762 - M5X14	1
11	VTCEISO4762M5X16	Hexagon Socket Head Cap Screw ISO 4762 - M5X16	4
14	VTCEISO4762M5X45	Hexagon Socket Head Cap Screw ISO 4762 - M5X45	3

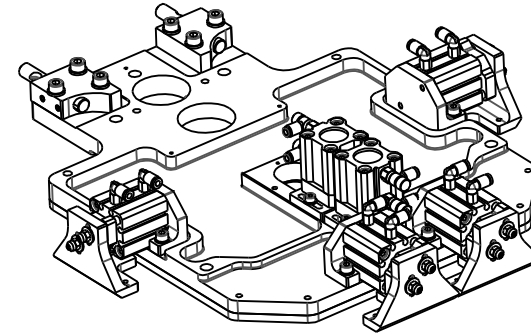
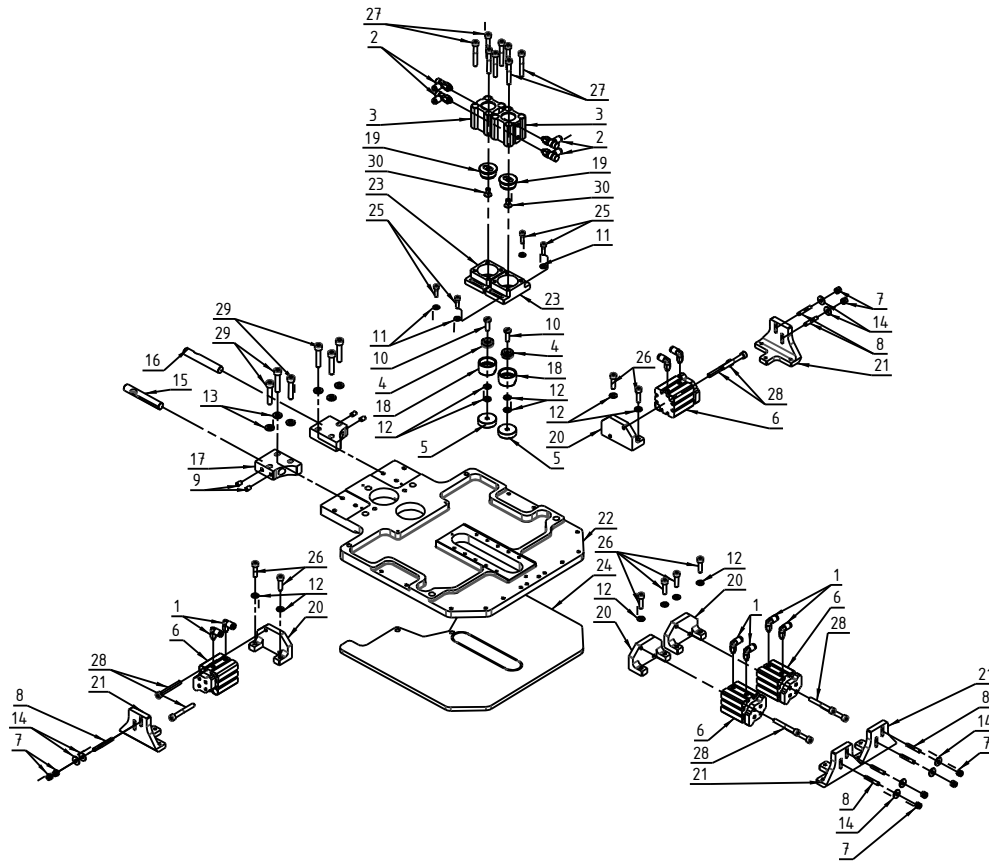


Code - Description :

SIP.A.000380 - RH ROTATING FOLDER ASSY

Unit model :

PS342-FG1SIP
PS342-FG2SIP



POS.	CODICE	Costruttore	Q.TA
1	COM.000310	FITTING KQ2L04-M5A	8
2	COM.000413	FLOW REGULATOR AS1201F-M5-04A	4
3	COM.001197	SMC CYLINDER CQ2B20-15D	2
4	COM.001457	IKO - FLOATING JOINT PB 5	2
5	COM.001458	MAGNET ITN-25	2
6	COM.001534	SMC CYLINDER CQMB20-20	4
7	DEABISO7040M4	Hexagon Self Locking Nut with Plastic Insert ISO 7040 - M4	8
8	GEIISO4026M4X25	Hexagon Socket Set Screw with Flat Point ISO 4026 - M4X25	8
9	GEIISO4026M5X8	Hexagon Socket Set Screw with Flat Point ISO 4026 - M5X8	4
10	IVTCISO1580M5X16	Slotted Large Cheese Head Screw ISO 1580 - M5X16	2
11	RPISO70894	Plain Washer - 4	4
12	RPISO70895	Plain Washer - 5	12
13	RPISO70896	Plain Washer - 6	6
14	RPLISO7093-4	Large Plain Washer - 4	8
15	SIPP.001138L	MASK SHAFT SX	1
16	SIPP.001138R	MASK SHAFT DX	1
17	SIPP.001438	CENTRAL PART SUPPORT	2
18	SIPP.001795	UNIBALL SUPPORT	2
19	SIPP.001796	UNIBALL SUPPORT	2
20	SIPP.001971	FOLDER CYLINDER BRACKET	4
21	SIPP.001972	ENGL. DESCRIPTION	4
22	SIPP.001973	FOLDER SUPPORT M-L	1
23	SIPP.001982	MAGNET SPACER	2
24	SIPP.001990	FOLDER RUBBER M-L	1
25	VTCEISO4762M4X14	Hexagon Socket Head Cap Screw ISO 4762 - M4X14	4
26	VTCEISO4762M5X18	Hexagon Socket Head Cap Screw ISO 4762 - M5X18	8
27	VTCEISO4762M5X35	Hexagon Socket Head Cap Screw ISO 4762 - M5X35	8
28	VTCEISO4762M5X40	Hexagon Socket Head Cap Screw ISO 4762 - M5X40	8
29	VTCEISO4762M6X30	Hexagon Socket Head Cap Screw ISO 4762 - M6X30	6
30	VTSEISO4762M5X10	Hexagon Socket Countersunk Head Screw ISO 10642 - M5X10	2

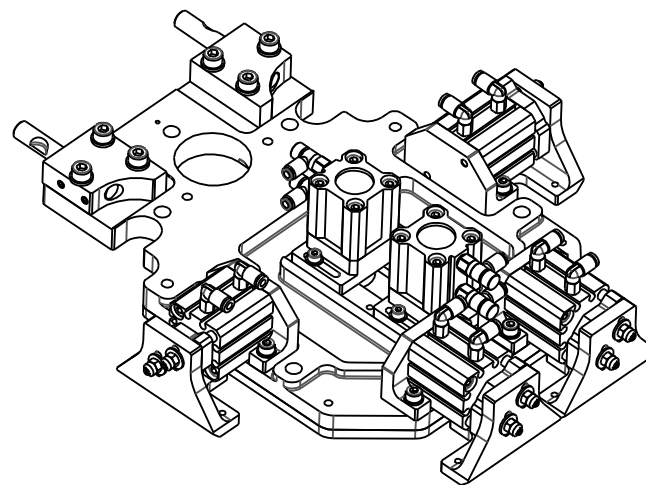
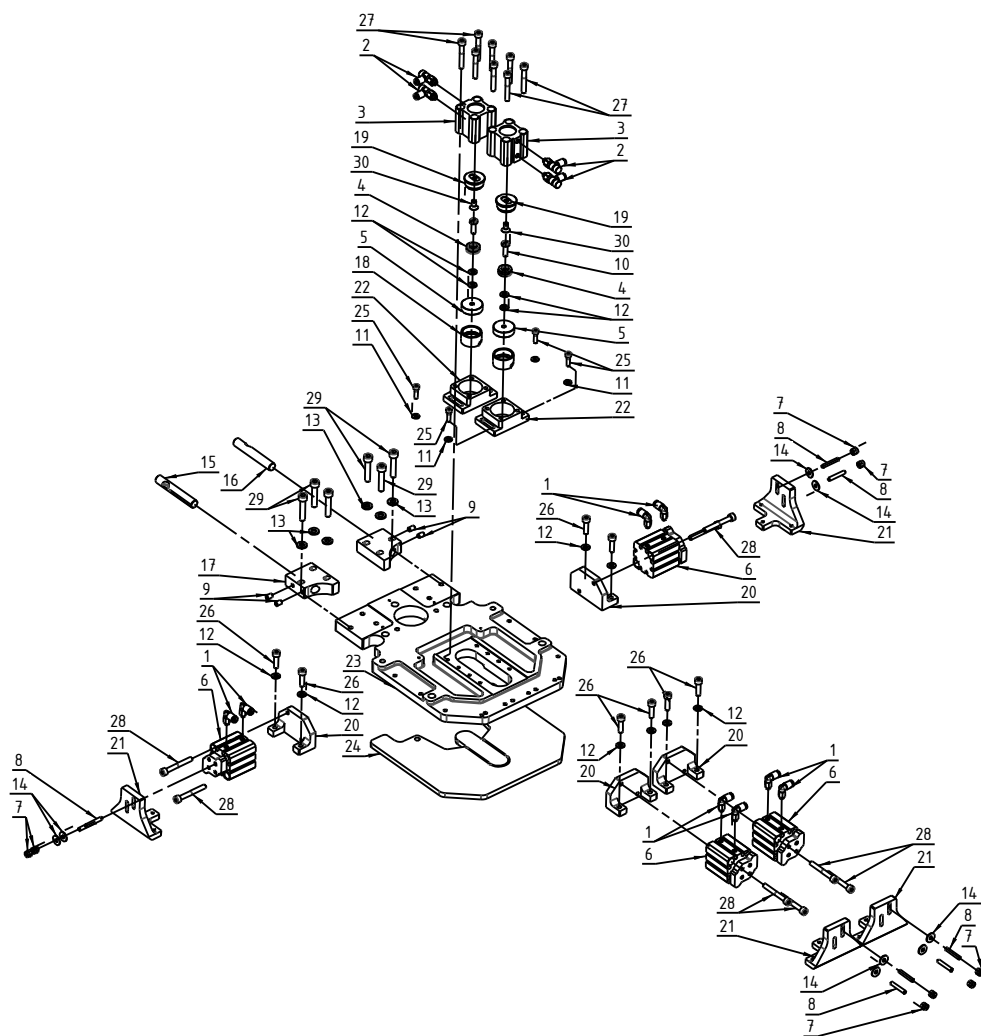


Code - Description :

SIPA.000487 - FOLDERS ASSEMBLY 4C M-L

Unit model :

PS342-FG1SIP
PS342-FG2SIP

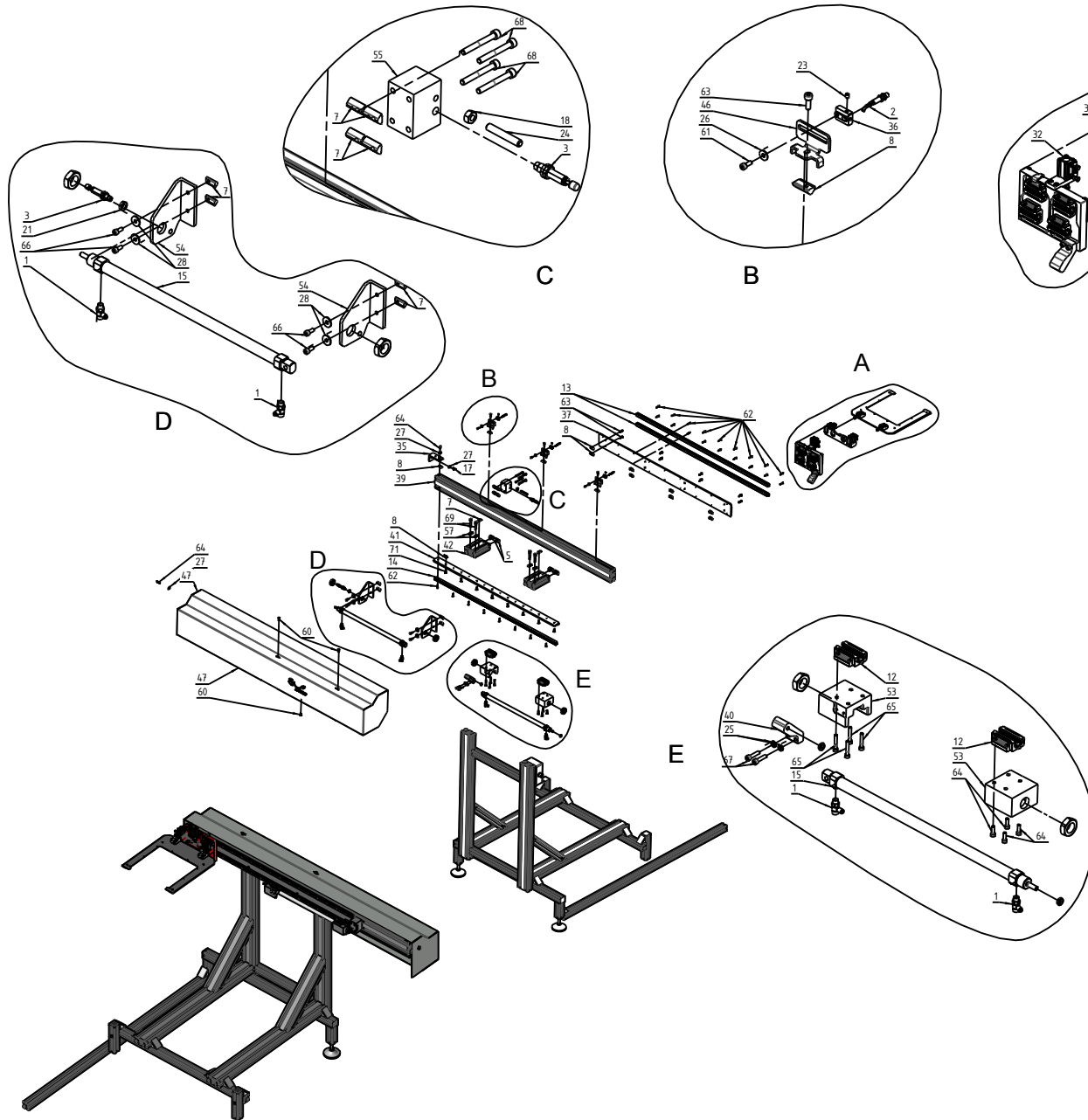


POS.	CODICE	Costruttore	Q.TA
1	COM.000310	FITTING KQ2L04-M5A	8
2	COM.000413	FLOW REGULATOR AS1201F-M5-04A	4
3	COM.001197	SMC CYLINDER CQ2B20-15D	2
4	COM.001457	IKO - FLOATING JOINT PB 5	2
5	COM.001458	MAGNET ITN-25	2
6	COM.001534	SMC CYLINDER CQMB20-20	4
7	DEABISO7040M4	Hexagon Self Locking Nut with Plastic Insert ISO 7040 - M4	8
8	GEIPISO4026M4X25	Hexagon Socket Set Screw with Flat Point ISO 4026 - M4X25	8
9	GEIPISO4026M5X8	Hexagon Socket Set Screw with Flat Point ISO 4026 - M5X8	4
10	IVTCCISO1580M5X16	Slotted Large Cheese Head Screw ISO 1580 - M5X16	2
11	RPISO70894	Plain Washer - 4	4
12	RPISO70895	Plain Washer - 5	12
13	RPISO70896	Plain Washer - 6	6
14	RPLISO7093-4	Large Plain Washer - 4	8
15	SIPP.001138L	MASK SHAFT SX	1
16	SIPP.001138R	MASK SHAFT DX	1
17	SIPP.001438	CENTRAL PART SUPPORT	2
18	SIPP.001795	UNIBALL SUPPORT	2
19	SIPP.001796	UNIBALL SUPPORT	2
20	SIPP.001971	FOLDER CYLINDER BRACKET	4
21	SIPP.001972	ENGL. DESCRIPTION	4
22	SIPP.001982	MAGNET SPACER	2
23	SIPP.001988	FOLDER SUPPORT M-S	1
24	SIPP.001989	FOLDER RUBBER M-S	1
25	VTCEISO4762M4X14	Hexagon Socket Head Cap Screw ISO 4762 - M4X14	4
26	VTCEISO4762M5X18	Hexagon Socket Head Cap Screw ISO 4762 - M5X18	8
27	VTCEISO4762M5X35	Hexagon Socket Head Cap Screw ISO 4762 - M5X35	8
28	VTCEISO4762M5X40	Hexagon Socket Head Cap Screw ISO 4762 - M5X40	8
29	VTCEISO4762M6X30	Hexagon Socket Head Cap Screw ISO 4762 - M6X30	6
30	VTSEISO4762M5X10	Hexagon Socket Countersunk Head Screw ISO 10642 - M5X10	2



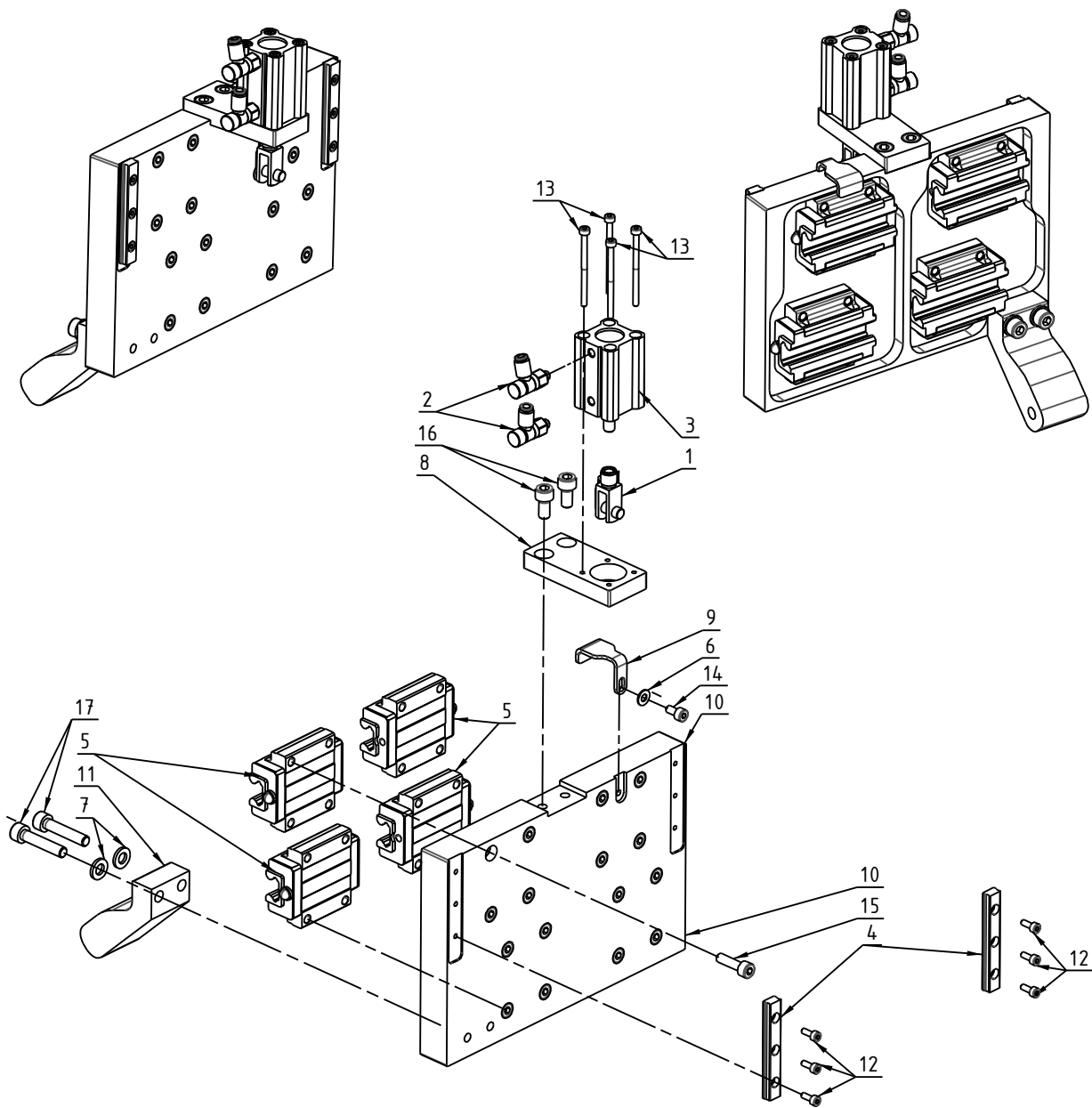
Code - Description :
SIP.A.000492 - FOLDERS ASSEMBLY 4C M-S

Unit model :
PS342-FG1SIP
PS342-FG2SIP



POS	CODE	DESCRIPTION	Q.TY
1	COM.000383	FLOW REGULATOR AS2201F 01-020A	4
2	COM.000578	PROXIMITY SENSOR MS NPN NO-NC/dc 5vdc	3
3	COM.000606	HYDRAULIC DAMPER RBC1007	2
4	COM.000750	ITEM ANGULAR INTERFACE 8 40x40 - 004115	9
5	COM.000752	ITEM STANDARD LINKING SET 8 - 000207	14
6	COM.000753	ITEM ANCHOR V 8 M8 ZINC - 0048048	2
7	COM.000754	ITEM ANCHOR V 8 M8 ZINC - 0048050	11
8	COM.000755	ITEM ANCHOR V 8 M8 ZINC - 0048054	13
9	COM.000854	DAMPENING ELEMENT DR0 M12X100 - 20014	2
10	COM.000870	ITEM COVER 8 000201 NERO	4
11	COM.001222	ITEM LINK SET 8 0049230	8
12	COM.001266	LINEAR SLIDER HSR15A (SIC15)GR	2
13	COM.001291	LINEAR RAIL HSR15-102CL-E30GR/MT13A	1
14	COM.001296	LINEAR RAIL HSR15-102CL-E30GR/MT13A	1
15	COM.001467	SBC CYLINDER CBS20-420C-X2015	2
16	COM.001506	JUNCTION BOX PIS42 POCKET SETTER	1
17	DEISO4032M5	Hexagon Nut ISO 4032 - M5	1
18	DEISO4032M8	Hexagon Nut ISO 4032 - M8	1
19	DEISO4032M12	Hexagon Nut ISO 4032 - M12	2
20	DERPISO4032M8	Hexagon Trin Nut ISO 4032 - M8	2
21	DERPISO67M10X1	Hexagon Trin Nut with Fine Thread ISO 6875 - M10X1	2
22	DERPISO67M22X1.5	Hexagon Trin Nut with Fine Thread ISO 6875 - M22X1.5	4
23	GEPIISO4028MX5	Hexagon Socket Set Screw with Flat Point ISO 4028 - M4X5	3
24	GEPIISO4028MX20	Hexagon Socket Set Screw with Flat Point ISO 4028 - M4X20	1
25	RPLISO7093-6	Large Plain Washer - 6	2
26	RPLISO7093-4	Large Plain Washer - 4	1
27	RPLISO7093-5	Large Plain Washer - 5	1
28	RPLISO7093-6	Large Plain Washer - 6	4
29	RPLISO7093-8	Large Plain Washer - 8	2
30	RPLISO7093-12	Large Plain Washer - 12	1
31	SIPA.000363	LIFTER ASSEMBLY	1
32	SIPA.000365	CARTRIDGE ASSEMBLY	1
33	SIPF.001367		1
34	SIPF.001407	PROXIMITY DS SUPPORT	3
35	SIPF.001472	BASE PLATE	1
36	SIPF.001743	ITEM PROFILE 80X40	1
37	SIPF.001744	JUNCTION BRACKET	1
38	SIPF.001746	GUIDE BASE	1
39	SIPF.001767	ITEM PROFILE 80X40	2
40	SIPF.001768	ITEM PROFILE 80X40	2
41	SIPF.001760	ITEM PROFILE 80X40	4
42	SIPF.001761	ITEM PROFILE 80X40	2
43	SIPF.001764	PROXIMITY BRACKET	2
44	SIPF.001765	SHIFTER COVER	1
45	SIPF.001766	PROFILE 40X40	2
46	SIPF.001807	PROFILE 40X40	2
47	SIPF.001808	PROFILE 40X40	2
48	SIPF.001810	PROFILE 40X40	2
49	SIPF.001812	CYLINDER SUPPORT	2
50	SIPF.001813	CYLINDER SUPPORT	2
51	SIPF.001814	SHOCK ABSORBER SUPPORT	1
52	SIPF.001855	PROFILE 40X40	1
53	SIPF.001930	SLOTTED WASHER M8X15	4
54	VTCEISO4762MX12	Hexagon Socket Pan Head Cap Screw ISO 7380 - M8X12	3
55	VTCEISO4762MX10	Hexagon Socket Head Cap Screw ISO 4762 - M8X10	6
56	VTCEISO4762MX16	Hexagon Socket Head Cap Screw ISO 4762 - M8X16	26
57	VTCEISO4762MX14	Hexagon Socket Head Cap Screw ISO 4762 - M8X14	11
58	VTCEISO4762MX16	Hexagon Socket Head Cap Screw ISO 4762 - M8X16	6
59	VTCEISO4762MX30	Hexagon Socket Head Cap Screw ISO 4762 - M8X30	4
60	VTCEISO4762MX14	Hexagon Socket Head Cap Screw ISO 4762 - M8X14	4
61	VTCEISO4762MX25	Hexagon Socket Head Cap Screw ISO 4762 - M8X25	2
62	VTCEISO4762MX30	Hexagon Socket Head Cap Screw ISO 4762 - M8X30	4
63	VTCEISO4762MX40	Hexagon Socket Head Cap Screw ISO 4762 - M8X40	4
64	VTCEISO4762MX50	Hexagon Socket Head Cap Screw ISO 4762 - M8X50	2
65	VTCEISO4762MX60	Hexagon Socket Head Cap Screw ISO 4762 - M8X60	4
66	VTCEISO4762MX16	Hexagon Socket Countersunk Head Screw ISO 10642 - M8X16	8

Code - Description : **SIPA.000441 - FEEDER GROUP ASSEMBLY** Unit model : **PS342-FG1SIP**
PS342-FG2SIP



POS	CODE	DESCRIPTION	Q.TY
1	COM.000340	FORC JOINT GKM6-12	1
2	COM.000413	FLOW REGULATOR AS1201F-M5-04A	2
3	COM.000989	CYLINDER CQ2B16-25DM	1
4	COM.001188	LINEAR RAIL SRS9X-60LM-E10(GK)	2
5	COM.001266	LINEAR SLIDER HSR15A1SSC1S(GK)	4
6	RPISO70894	Plain Washer - 4	1
7	RPISO70896	Plain Washer - 6	2
8	SIP.P.001368	CYLINDER SUPPORT	1
9	SIP.P.001412	BENT PROXIMITY READER	1
10	SIP.P.001737	BASE PLATE SLIDER	1
11	SIP.P.001744	JUNCTION BRACKET	1
12	VTCEIISO4762M3X8	Hexagon Socket Head Cap Screw ISO 4762 - M3X8	6
13	VTCEIISO4762M3X45	Hexagon Socket Head Cap Screw ISO 4762 - M3X45	4
14	VTCEIISO4762M4X8	Hexagon Socket Head Cap Screw ISO 4762 - M4X8	1
15	VTCEIISO4762M5X18	Hexagon Socket Head Cap Screw ISO 4762 - M5X18	16
16	VTCEIISO4762M6X12	Hexagon Socket Head Cap Screw ISO 4762 - M6X12	2
17	VTCEIISO4762M6X30	Hexagon Socket Head Cap Screw ISO 4762 - M6X30	2

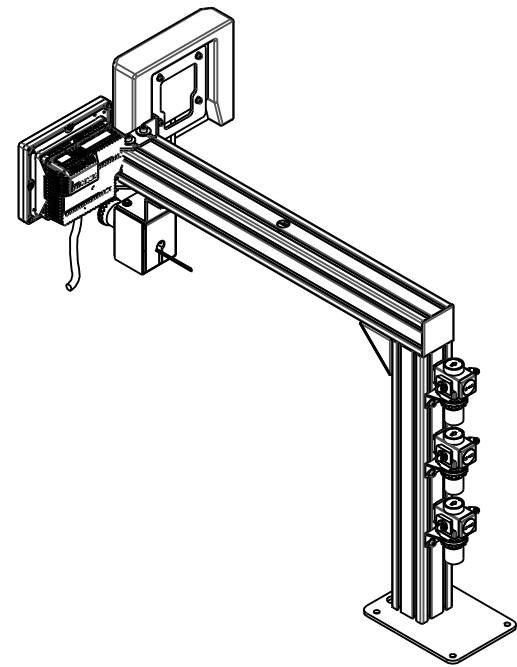
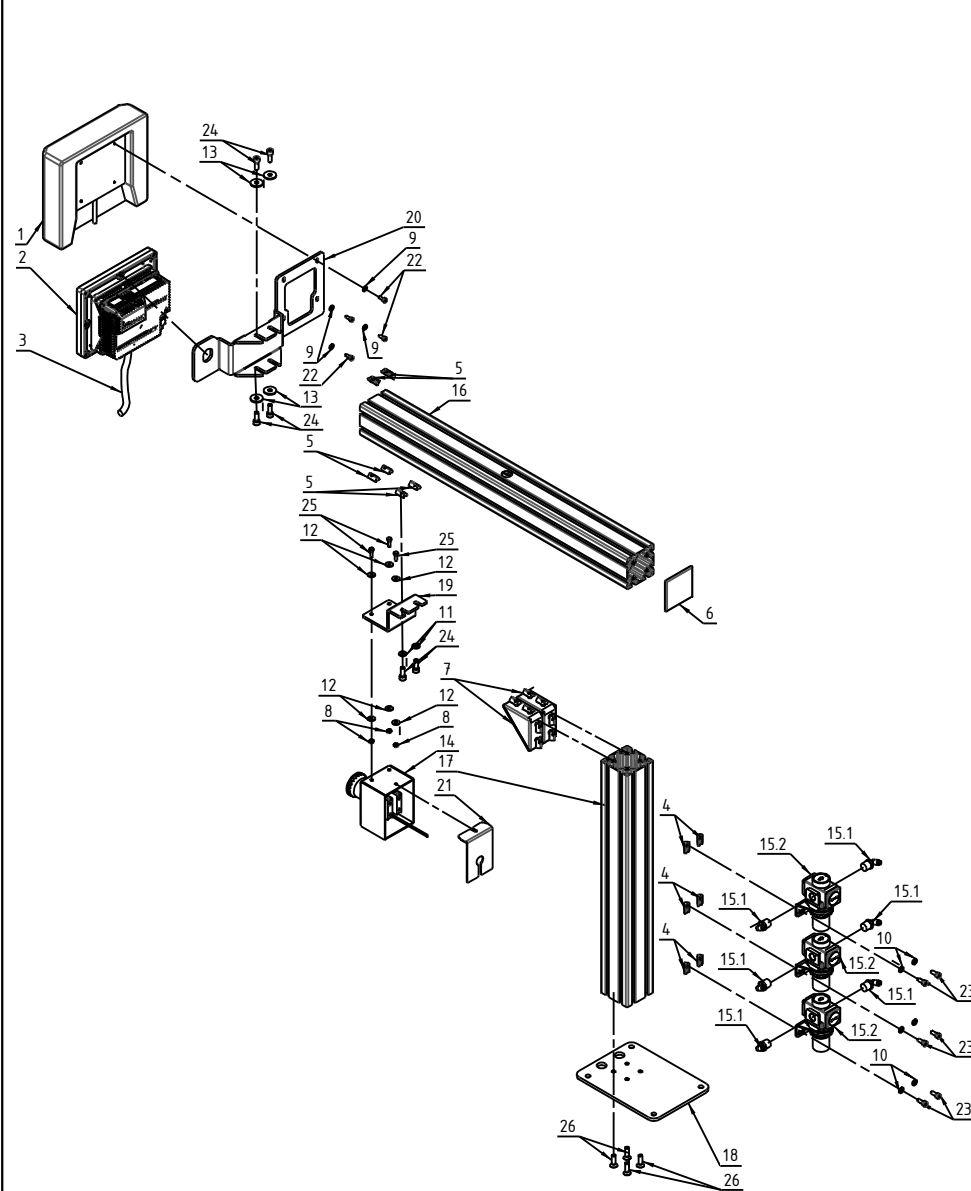


Code - Description :

SIP.A.000365 - CARRIAGE ASSEMBLY

Unit model :

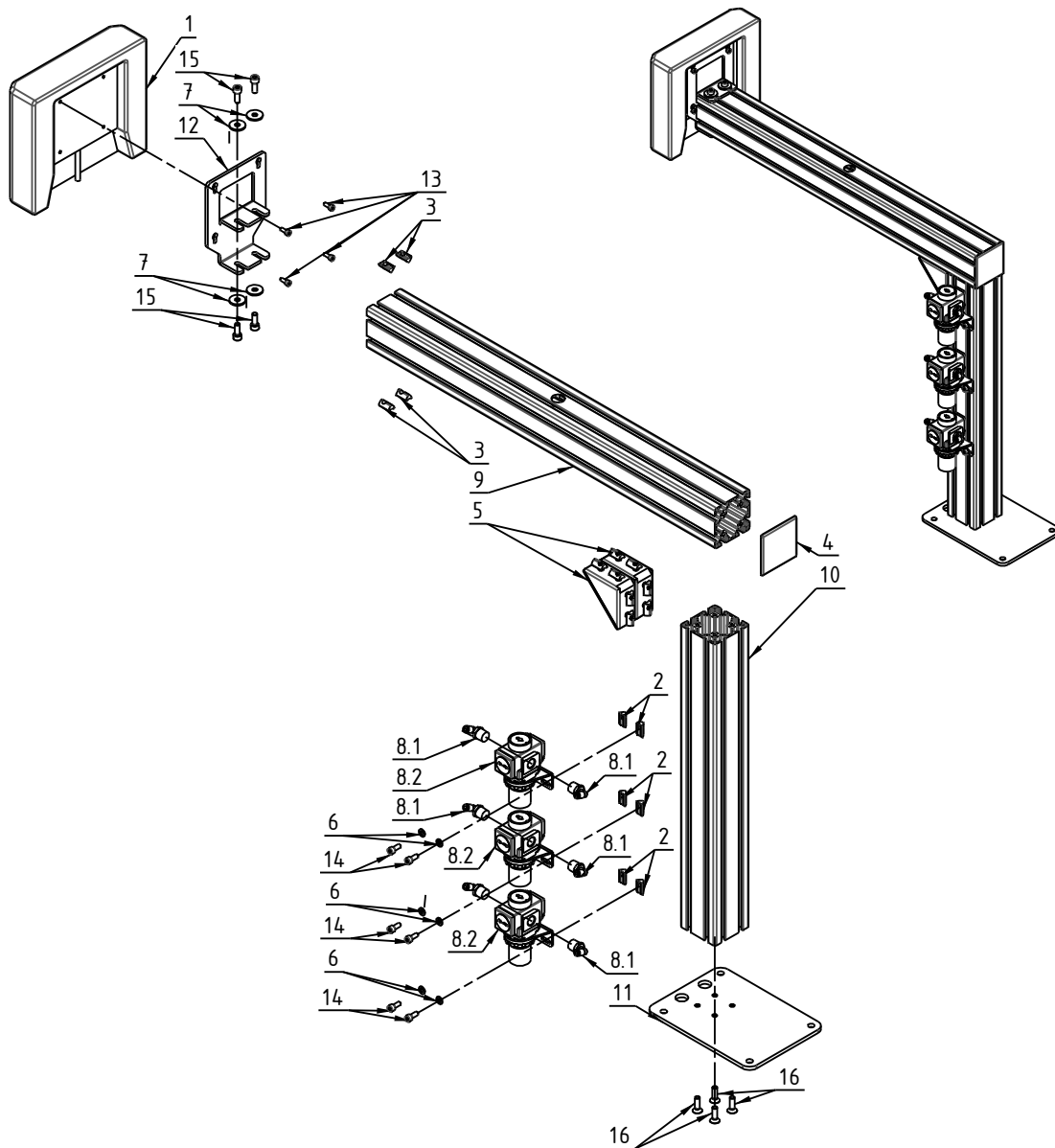
PS342-FG1SIP
PS342-FG2SIP



POS.	CODICE	Costruttore	Q.TA
1		DISPLAY CONTROL BOX BAX342HA-1P230V	1
2	COM.000561	PLC AND MONITOR MODULE 5.7"	1
3	COM.000621	DIN RAIL ADAPTER FOR PLC MODULE WITH CABLE	1
4	COM.000704	STANDARD NUT 6 M6 ZINC PLATING	6
5	COM.000705	STANDARD NUT 6 M6 ZINC PLATING	6
6	COM.001174	CAP 6 60x60 0.0.419.24	1
7	COM.001426	45° BRACKET 6 60X60 0.0.419.68	2
8	DEISO4032M4	Hexagon Nut ISO 4032 - M4	3
9	RPISO70894	Plain Washer - 4	4
10	RPISO70895	Plain Washer - 5	6
11	RPISO70896	Plain Washer - 6	2
12	RPLISO7093-4	Large Plain Washer - 4	6
13	RPLISO7093-6	Large Plain Washer - 6	4
14	SIPA.000115	EMERGENCY STOP ASSEMBLY	1
15	SIPA.000184	AIR REGULATOR ASSEMBLY	3
15.1	COM.000336	FITTING KQ2L04-02AS	2
15.2	COM.000735	AIR REGULATOR AR20K-F02BE-B-X406	1
16	SIPP.001779		1
17	SIPP.001780	ENGL. DESCRIPTION	1
18	SIPP.001781	BASE BRACKET	1
19	SIPP.001826	EMERGENCY SUPPORT	1
20	SIPP.001913	DISPLAY BRACKET	1
21	SIPP.002034	REAR COVER	1
22	VTCEIISO4762M4X10	Hexagon Socket Head Cap Screw ISO 4762 - M4X10	4
23	VTCEIISO4762M5X12	Hexagon Socket Head Cap Screw ISO 4762 - M5X12	6
24	VTCEIISO4762M6X16	Hexagon Socket Head Cap Screw ISO 4762 - M6X16	6
25	VTSEISO4017M4X12	Hexagon Screw ISO 4017 - M4X12	3
26	VTSEIISO4762M6X20	Hexagon Socket Countersunk Head Screw ISO 10642 - M6X20	4

Code - Description :
SIP.A.000444 - DISPLAY ASSEMBLY

Unit model :
PS342-FG1SIP
PS342-FG2SIP



POS.	CODICE	Costruttore	Q.TÀ
1		DISPLAY CONTROL BOX BAX342HA-1P230V	1
2	COM.000704	STANDARD NUT 6 M5 ZINC PLATING	6
3	COM.000705	STANDARD NUT 6 M6 ZINC PLATING	4
4	COM.001174	CAP 6 60x60 0.0.419.24	1
5	COM.001426	45° BRACKET 6 60X60 0.0.419.68	2
6	RPISO70895	Plain Washer - 5	6
7	RPLISO7093-6	Large Plain Washer - 6	4
8	SIP.A.000184	AIR REGULATOR ASSEMBLY	3
8.1	COM.000336	FITTING KQ2L04-02AS	2
8.2	COM.000735	AIR REGULATOR AR20K-F02BE-B-X406	1
9	SIP.P.001779		1
10	SIP.P.001780	ENGL. DESCRIPTION	1
11	SIP.P.001781	BASE BRACKET	1
12	SIP.P.001916	DISPLAY BRACKET	1
13	VTCEIISO4762M4X10	Hexagon Socket Head Cap Screw ISO 4762 - M4X10	4
14	VTCEIISO4762M5X12	Hexagon Socket Head Cap Screw ISO 4762 - M5X12	6
15	VTCEIISO4762M6X16	Hexagon Socket Head Cap Screw ISO 4762 - M6X16	4
16	VTSEIISO4762M6X20	Hexagon Socket Countersunk Head Screw ISO 10642 - M6X20	4

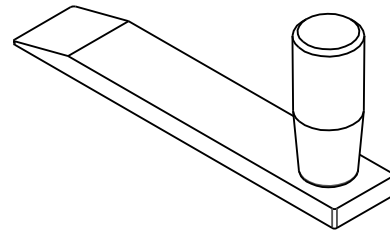
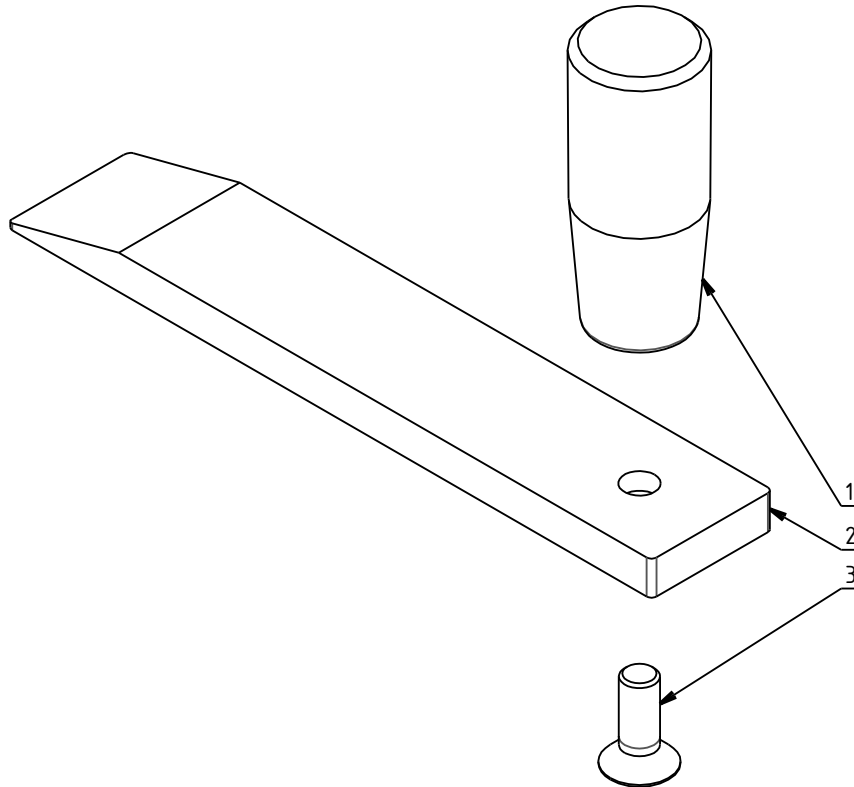


Code - Description :


SIP.A.000461 - DISPLAY ASSEMBLY 2

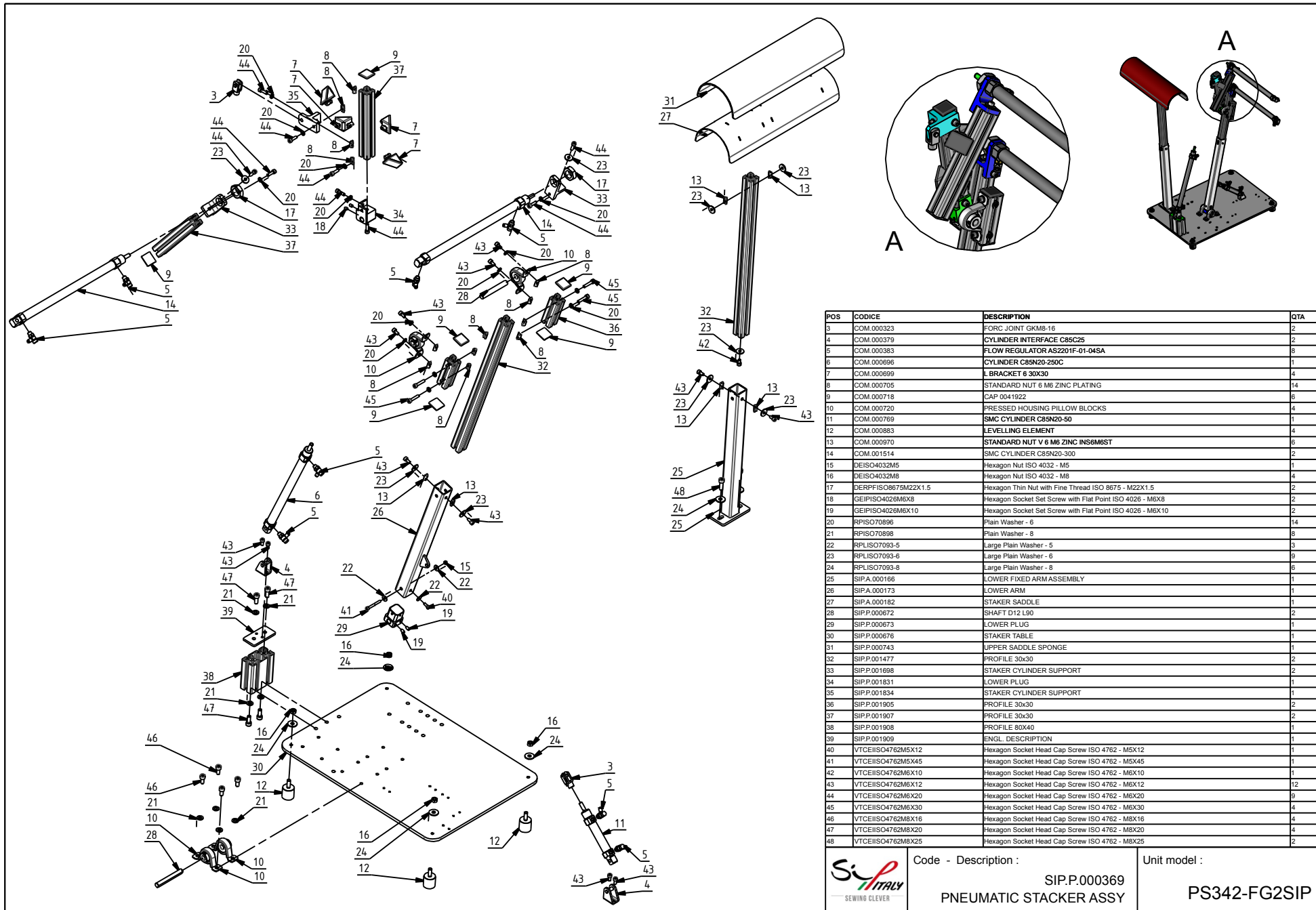
Unit model :

PS342-FG1SIP
PS342-FG2SIP



POS.	CODE	DESCRIPTION	Q.TY
1	COM.001561	GAMM Cylindrical handle MC21X50 6136012	1
2	SIP.P.001798	CHANGE TOOL	1
3	VTSEISO4762M6X16	Hexagon Socket Countersunk Head Screw ISO 10642 - M6X16	1

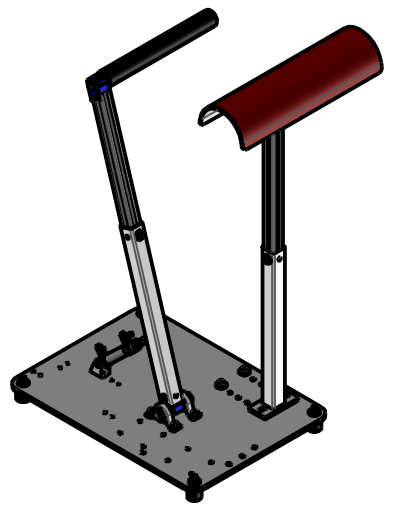
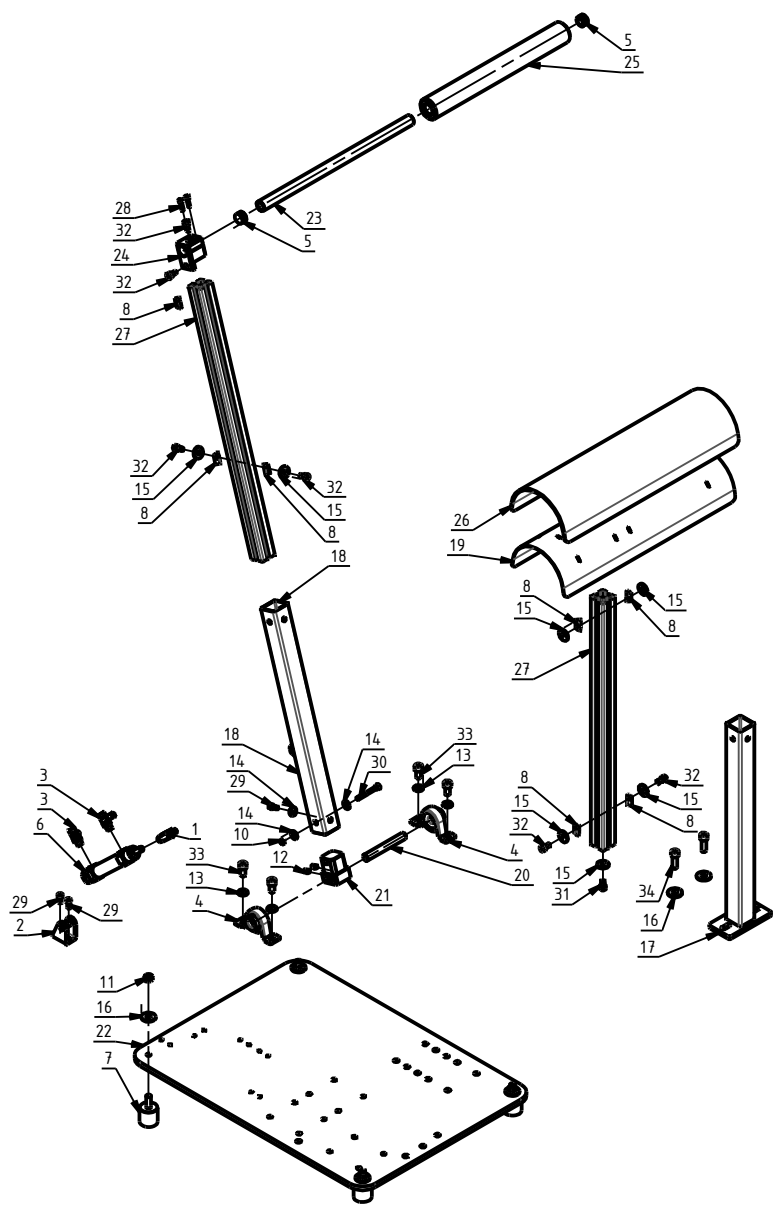
	Code - Description :	Unit model :
	SIP.A.000452 - CHANGE TOOL ASSEMBLY	PS342-FG1SIP PS342-FG2SIP



POS	CODICE	DESCRIPTION	QTA
3	COM.000323	FORC. JOINT GKMB-16	2
4	COM.000379	CYLINDER INTERFACE C85C25	2
5	COM.000383	FLOW REGULATOR AS2201F-01-04SA	8
6	COM.000696	CYLINDER C85N20-250C	1
7	COM.000699	L BRACKET 6 30X30	4
8	COM.000705	STANDARD NUT 6 M6 ZINC PLATING	14
9	COM.000718	CAP 0041922	6
10	COM.000720	PRESSED HOUSING PILLOW BLOCKS	4
11	COM.000769	SMC CYLINDER C85N20-50	1
12	COM.000883	LEVELLING ELEMENT	4
13	COM.000970	STANDARD NUT V 6 M6 ZINC IN66MST	6
14	COM.001514	SMC CYLINDER C85N20-300	2
15	DEISO4032M5	Hexagon Nut ISO 4032 - M5	1
16	DEISO4032M8	Hexagon Nut ISO 4032 - M8	4
17	DERPFIISO8675M22X1.5	Hexagon Thin Nut with Fine Thread ISO 8675 - M22X1.5	2
18	GEPIISO4026M6X8	Hexagon Socket Set Screw with Flat Point ISO 4026 - M6X8	2
19	GEPIISO4026M6X10	Hexagon Socket Set Screw with Flat Point ISO 4026 - M6X10	2
20	RPISO70896	Plain Washer - 6	14
21	RPISO70898	Plain Washer - 8	8
22	RPLISO7093-5	Large Plain Washer - 5	3
23	RPLISO7093-6	Large Plain Washer - 6	9
24	RPLISO7093-8	Large Plain Washer - 8	6
25	SIPA.000166	LOWER FIXED ARM ASSEMBLY	1
26	SIPA.000173	LOWER ARM	1
27	SIPA.000182	STAKER SADDLE	1
28	SIP.P.000672	SHAFT D12 L90	2
29	SIP.P.000673	LOWER PLUG	1
30	SIP.P.000676	STAKER TABLE	1
31	SIP.P.000743	UPPER SADDLE SPONGE	1
32	SIP.P.001477	PROFILE 30x30	2
33	SIP.P.001698	STAKER CYLINDER SUPPORT	2
34	SIP.P.001831	LOWER PLUG	1
35	SIP.P.001834	STAKER CYLINDER SUPPORT	1
36	SIP.P.001905	PROFILE 30x30	2
37	SIP.P.001907	PROFILE 30x30	2
38	SIP.P.001908	PROFILE 80X40	1
39	SIP.P.001909	ENGL. DESCRIPTION	1
40	VTCEIISO4762M5X12	Hexagon Socket Head Cap Screw ISO 4762 - M5X12	1
41	VTCEIISO4762M5X45	Hexagon Socket Head Cap Screw ISO 4762 - M5X45	1
42	VTCEIISO4762M6X10	Hexagon Socket Head Cap Screw ISO 4762 - M6X10	1
43	VTCEIISO4762M6X12	Hexagon Socket Head Cap Screw ISO 4762 - M6X12	12
44	VTCEIISO4762M6X20	Hexagon Socket Head Cap Screw ISO 4762 - M6X20	9
45	VTCEIISO4762M6X30	Hexagon Socket Head Cap Screw ISO 4762 - M6X30	4
46	VTCEIISO4762M8X16	Hexagon Socket Head Cap Screw ISO 4762 - M8X16	4
47	VTCEIISO4762M8X20	Hexagon Socket Head Cap Screw ISO 4762 - M8X20	4
48	VTCEIISO4762M8X25	Hexagon Socket Head Cap Screw ISO 4762 - M8X25	2

	Code - Description :	Unit model :
	SIP.P.000369 PNEUMATIC STACKER ASSY	PS342-FG2SIP

The informations contained in this copy are the property of TOR.MEC AMBROSI s.r.l. therefore is prohibited the reproduction, even partial, without the written permission of TOR.MEC AMBROSI s.r.l.



POS.	CODE	DESCRIPTION	Q.TY
1	COM.000323	FORC JOINT GK M8-16	1
2	COM.000379	CYLINDER INTERFACE C85C25	1
3	COM.000383	FLOW REGULATOR AS2201F-01-04SA	2
4	COM.000720	PRESSED HOUSING PILLOW BLOCKS	2
5	COM.000721	ROUND TUBE INSERT - 18	2
6	COM.000769	SMC CYLINDER C85N20-50	1
7	COM.000883	LEVELLING ELEMENT	4
8	COM.000970	STANDARD NUT V 6 M6 ZINC INS6M6ST	7
9	DEFISO4161M8	Hexagon Nut with Flange ISO 4161 - M8	2
10	DEISO4032M5	Hexagon Nut ISO 4032 - M5	1
11	DEISO4032M8	Hexagon Nut ISO 4032 - M8	4
12	GEIPISO4026M6X10	Hexagon Socket Set Screw with Flat Point ISO 4026 - M6X10	2
13	RPIISO70898	Plain Washer - 8	4
14	RPLISO7093-5	Large Plain Washer - 5	3
15	RPLISO7093-6	Large Plain Washer - 6	7
16	RPLISO7093-8	Large Plain Washer - 8	6
17	SIPA.000166	LOWER FIXED ARM ASSEMBLY	1
18	SIPA.000173	LOWER ARM	1
19	SIPA.000182	STAKER SADDLE	1
20	SIP.P.000672	SHAFT D12 L90	1
21	SIP.P.000673	LOWER PLUG	1
22	SIP.P.000676	STAKER TABLE	1
23	SIP.P.000678	TUBE PROFILE D18 S2 L350	1
24	SIP.P.000698	UPPER FLUG	1
25	SIP.P.000711	INSULATION TUBE L315	1
26	SIP.P.000743	UPPER SADDLE SPONGE	1
27	SIP.P.001477	PROFILE 30x30	2
28	VTCEIISO4762M4X16	Hexagon Socket Head Cap Screw ISO 4762 - M4X16	2
29	VTCEIISO4762M5X12	Hexagon Socket Head Cap Screw ISO 4762 - M5X12	3
30	VTCEIISO4762M5X45	Hexagon Socket Head Cap Screw ISO 4762 - M5X45	1
31	VTCEIISO4762M6X10	Hexagon Socket Head Cap Screw ISO 4762 - M6X10	1
32	VTCEIISO4762M6X12	Hexagon Socket Head Cap Screw ISO 4762 - M6X12	6
33	VTCEIISO4762M8X16	Hexagon Socket Head Cap Screw ISO 4762 - M8X16	4
34	VTCEIISO4762M8X25	Hexagon Socket Head Cap Screw ISO 4762 - M8X25	2

	Code - Description :	Unit model :
	SIPA.000490 - PNEUMATIC STAKER ASSEMBLY	PS342-FG1SIP

The informations contained in this copy are the property of TOR.MEC AMBROSI s.r.l. therefore is prohibited the reproduction, even partial, without the written permission of TOR.MEC AMBROSI s.r.l.