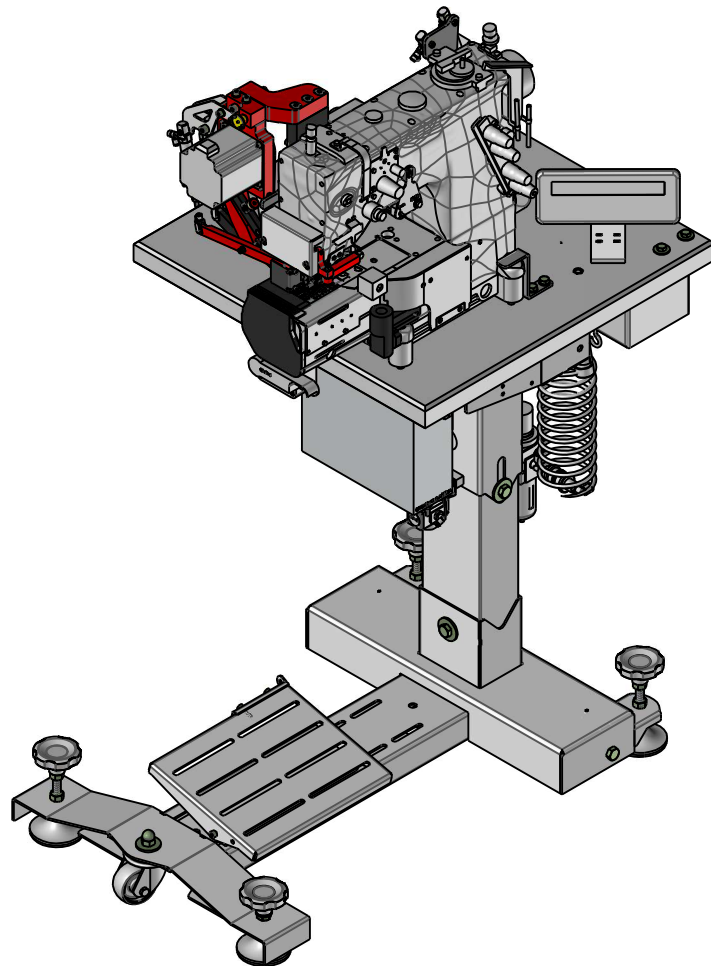


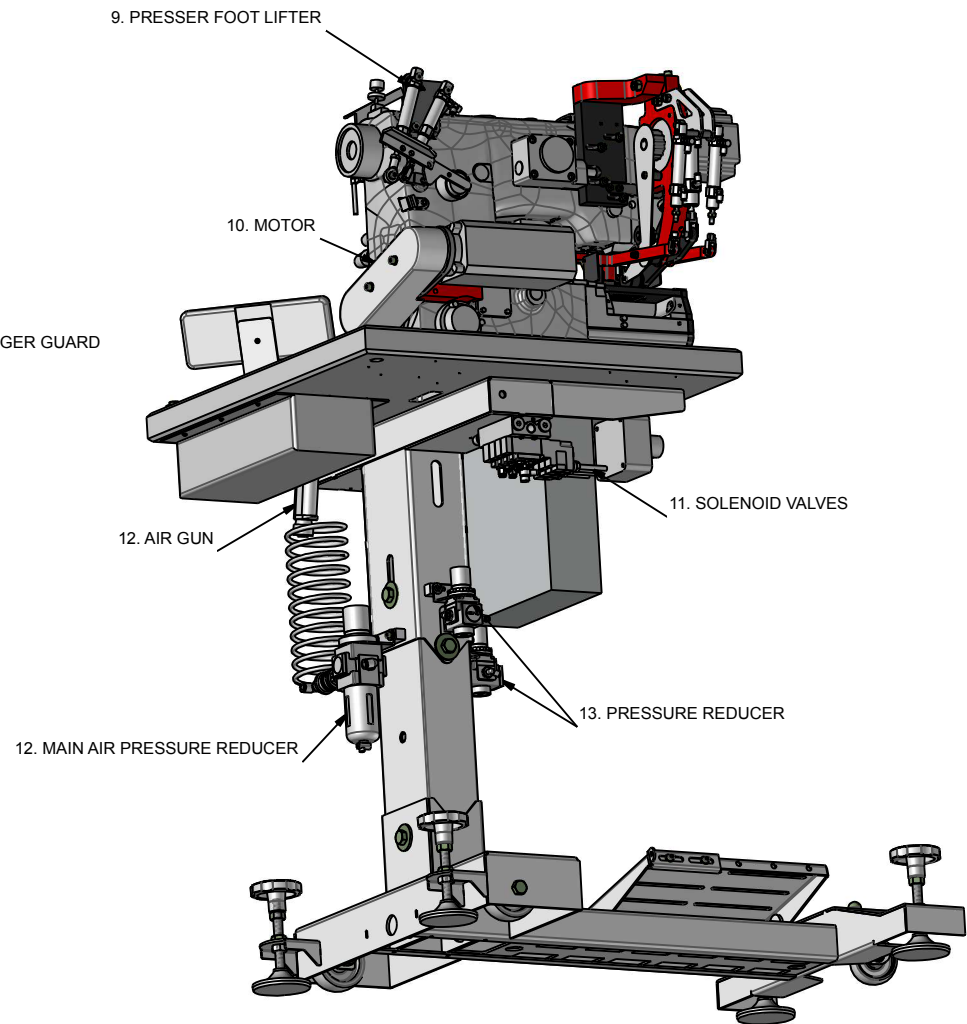
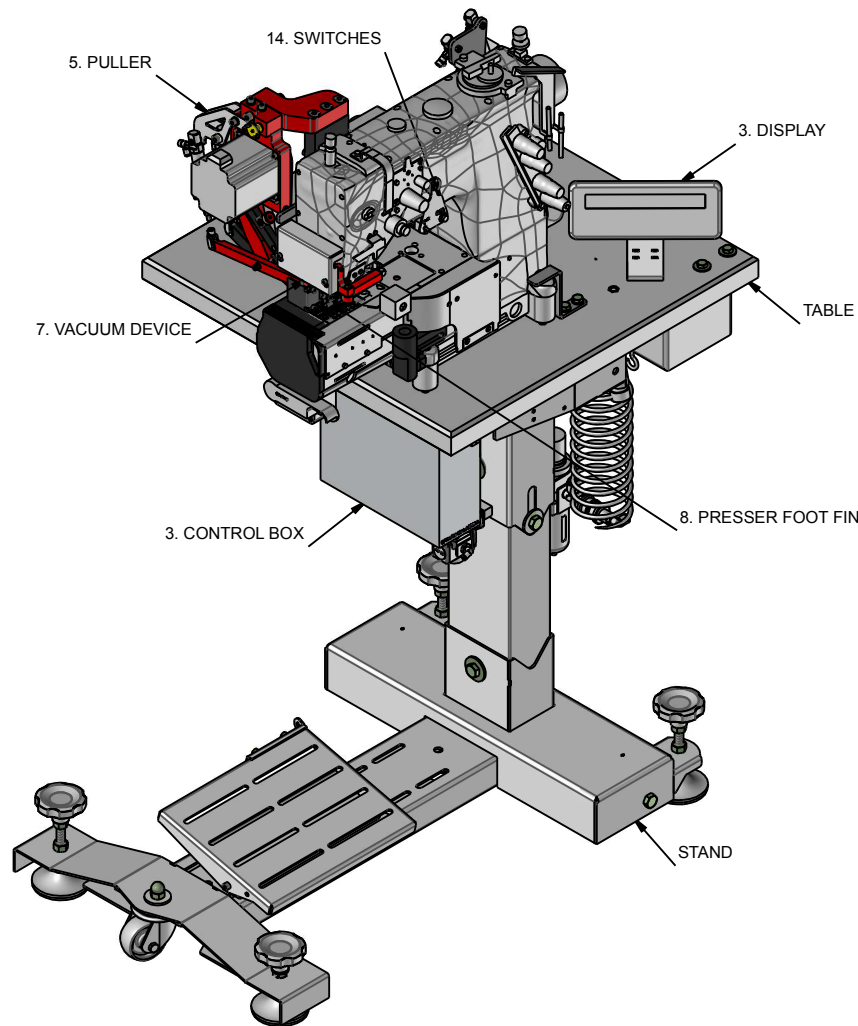


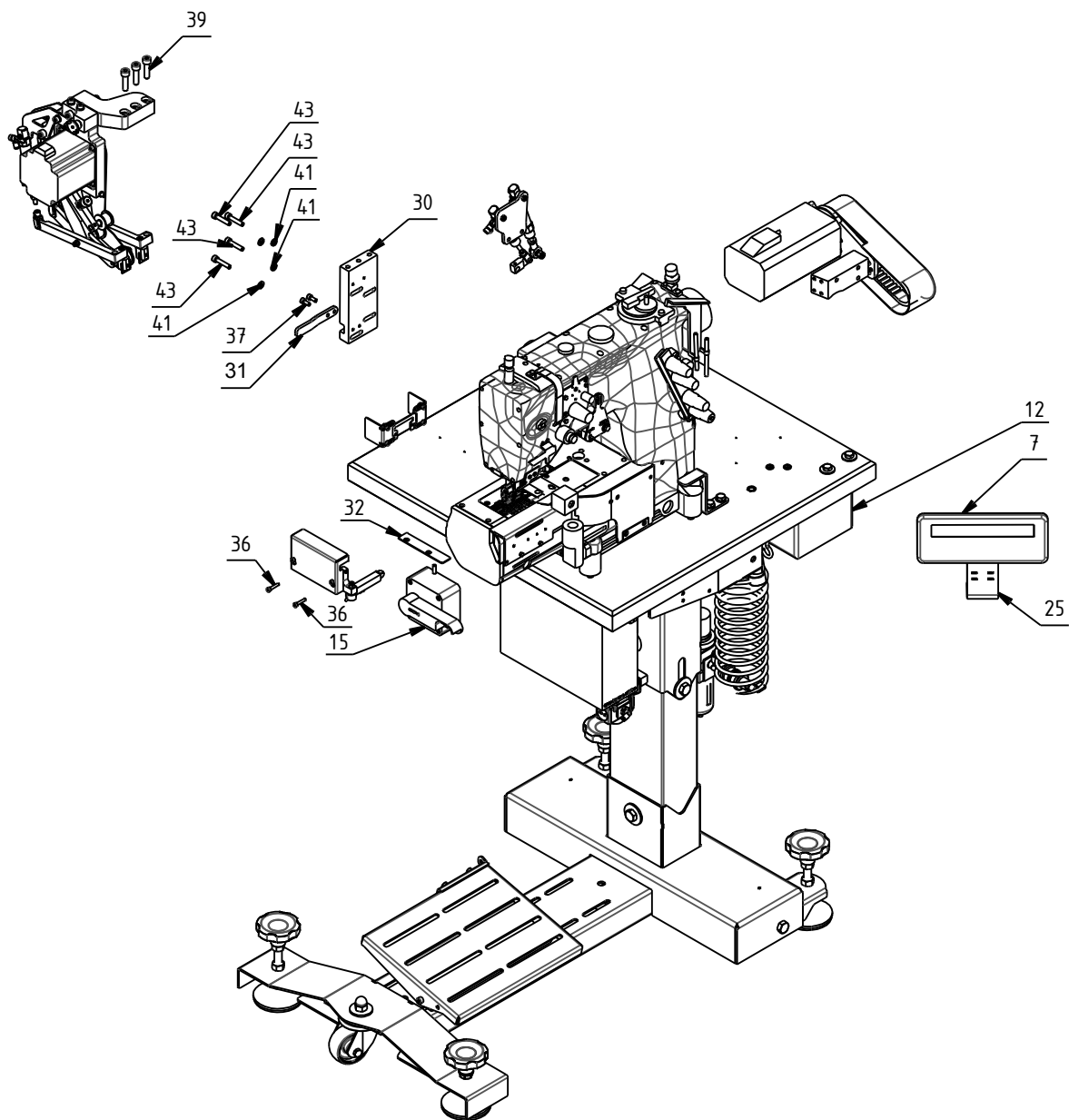
Unit model : 6044-SPLV  
Description : AUTOMATIC WAISTBAND UNIT LEVIS



TOR.MEC AMBROSI s.r.l. - Via Maestri del Lavoro 16 Santa Maria di Zevio 37050 - VERONA - ITALY  
Phone: +39 0456050205 ; Fax: +39 0456051645; Email: info@sip-italy.com  
www.tormec.com / www.sip-italy.com







Code - Description :

AUTOMATIC WAISTBAND UNIT CHAIN LEVIS

Unit model :

6044-SPLV

POS.	CODE	DESCRIPTION	Q.TY
6	COM.000002	SEWING HEAD KANSAI FBX-1104P	1
7	COM.000543	DISPLAY VARIOCONTROL V820	1
10	COM.000633	CONTROL UNIT AB321A	1
12	COM.000792	DRAWER 320X170X80	1
15	COM.000969	MOTOR CONTROL	1
17	SIP.A.000042	AIR FILTER ASSEMBLY	1
18	SIP.A.000138	SWITCH PLATE ASSEMBLY	1
19	SIP.A.000260	PHOTOCELLS ASSEMBLY LV	1
20	SIP.A.000263	PULLER ASSEMBLY LV	1
21	SIP.A.000264	MOTORS ASSEMBLY LV	1
22	SIP.A.000265	CARTER ASSEMBLY LV	1
23	SIP.A.000266	CYLINDERS ASSEMBLY LV	1
24	SIP.A.000267	AIR GROUP LV	1
25	SIP.P.000505	DISPLAY BRACKET	1
26	SIP.P.000633	CONNECTOR COVER	1
30	SIP.P.001055	FIXATION BRACKET LV	1
31	SIP.P.001058	STOP PULLER BRACKET	1
32	SIP.P.001061	REFLECTIVE BRACKET LV	1
33	RPLISO7093-4	Large Plain Washer - 4	2
34	SIP.A.000041	AIR REGULATOR ASSEMBLY	2
35	VTCEIISO4762M4X10	Hexagon Socket Head Cap Screw ISO 4762 - M4X10	2
36	VTCEIISO4762M4X20	Hexagon Socket Head Cap Screw ISO 4762 - M4X20	2
37	VTCEIISO4762M5X12	Hexagon Socket Head Cap Screw ISO 4762 - M5X12	2
38	VTCEIDIN7984M6X16	Low Head Socket Cap Screw DIN 7984 - M6X16	2
39	VTCEIISO4762M8X30	Hexagon Socket Head Cap Screw ISO 4762 - M8X30	3
40	GEIPIISO4026M8X30	Hexagon Socket Set Screw with Flat Point ISO 4026 - M8X30	4
41	RPISO70896	Plain Washer - 6	4
42	RPISO70898	Plain Washer - 8	4
43	VTCEIISO4762M6X30	Hexagon Socket Head Cap Screw ISO 4762 - M6X30	4
44	VTEISO4017M8X30	Hexagon Screw ISO 4017 - M8X30	4
45	RPLISO7093-5	Large Plain Washer - 5	6
46	RPLISO7093-8	Large Plain Washer - 8	6
47	VLST-ZDIN7996-4X25	Wood Screw DIN7996 4x25	6
48	VTCEIISO4762M5X10	Hexagon Socket Head Cap Screw ISO 4762 - M5X10	6
49	VTEISO4017M8X20	Hexagon Screw ISO 4017 - M8X20	6
50	VLST-ZDIN7996-3X25	Wood Screw DIN7996 3x25	8

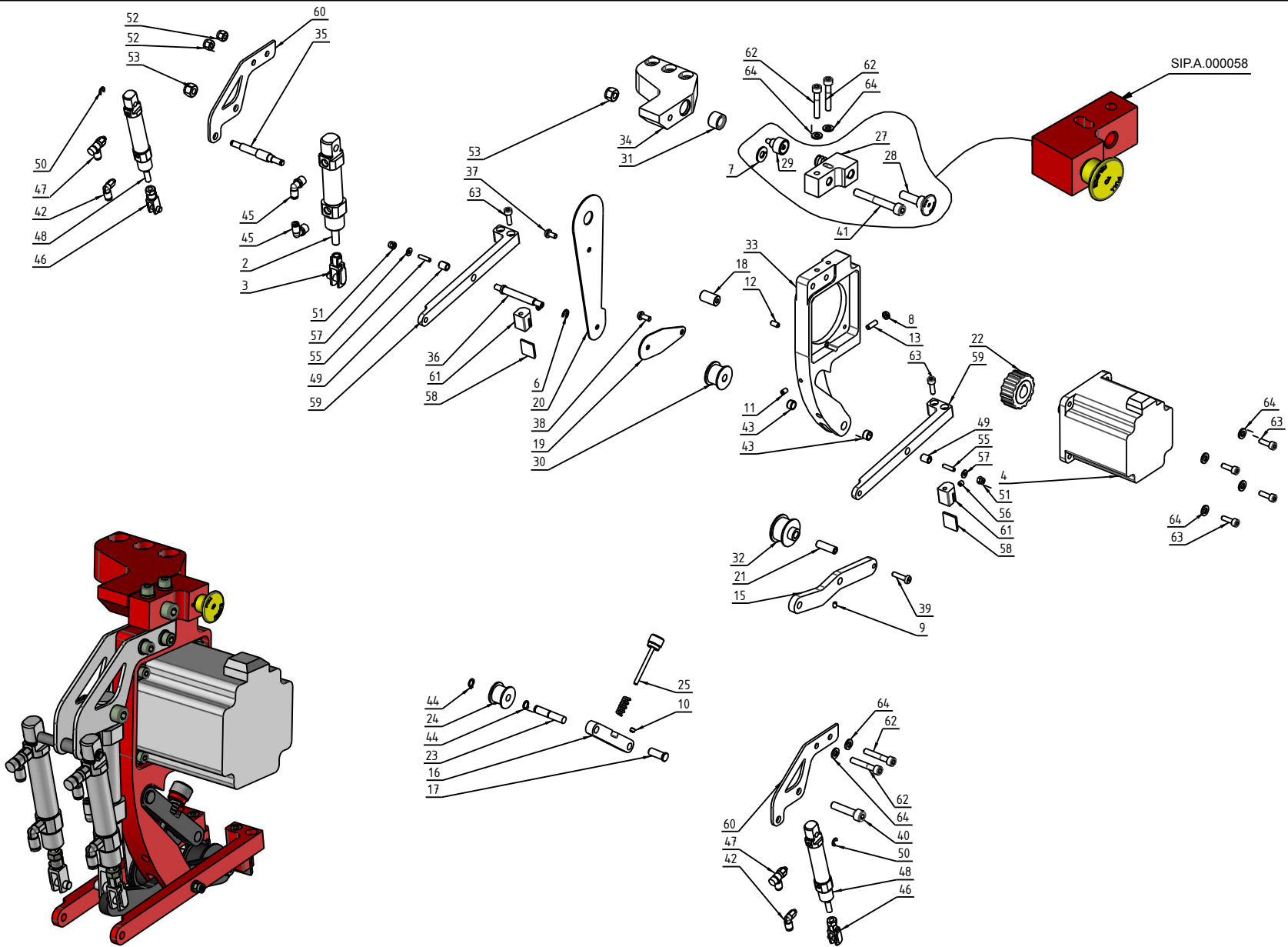


Code - Description :

**AUTOMATIC WAISTBAND UNIT CHAIN LEVIS**

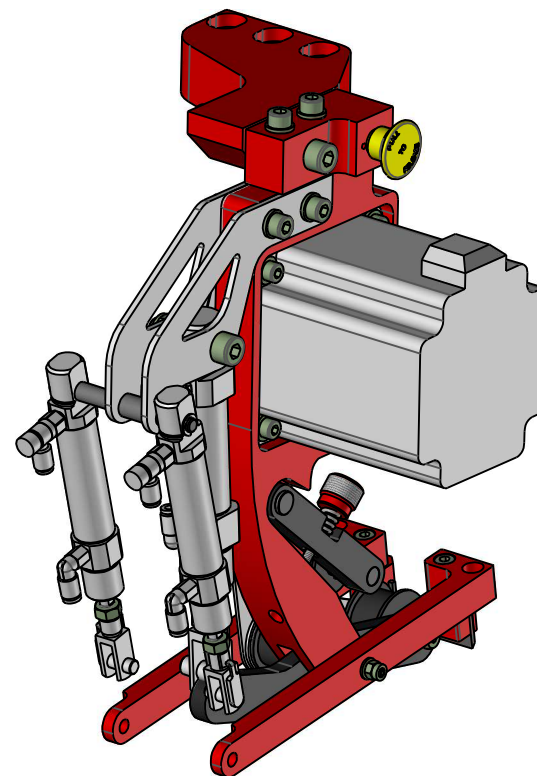
Unit model :


**6044-SPLV**

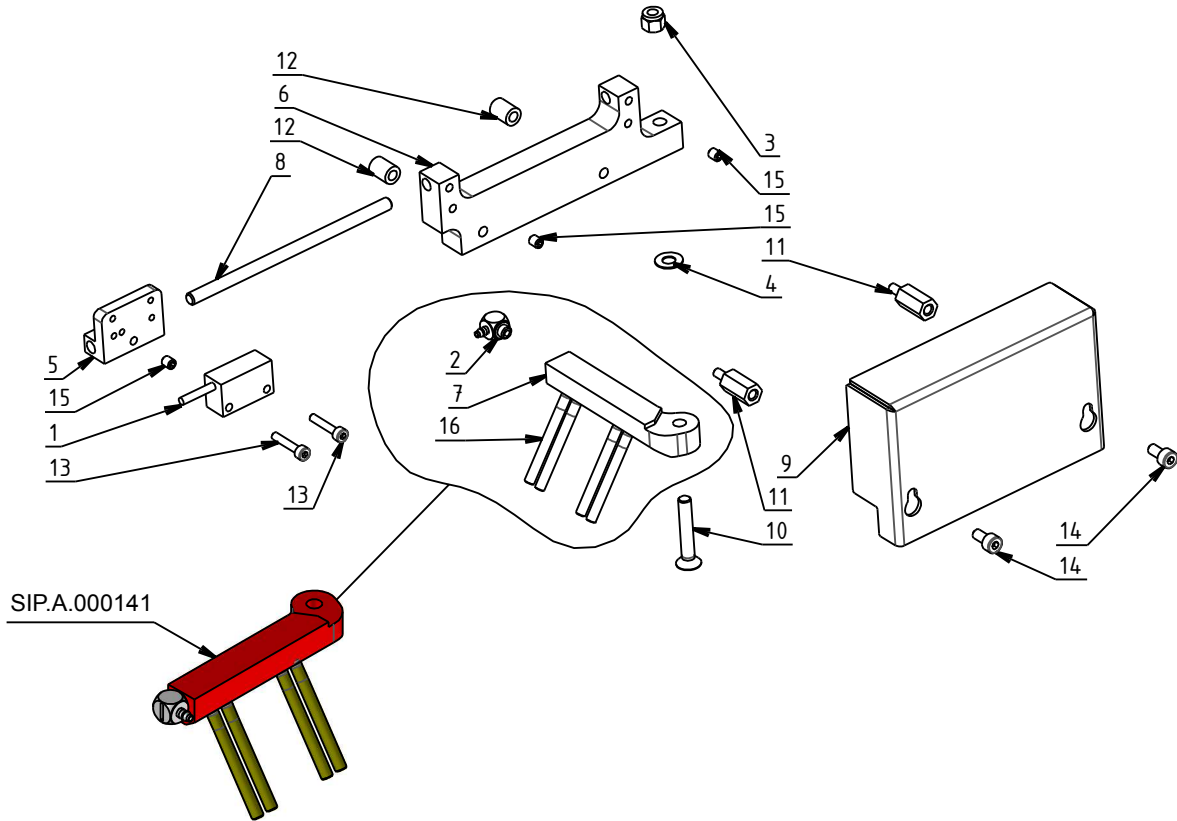
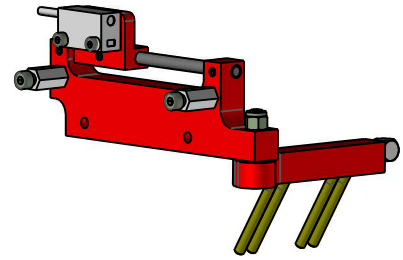


	Code - Description :  SIP.A.000263 - PULLER ASSEMBLY LV	Unit model :  6044-SPLV
--	---	-------------------------------

POS.	CODE	DESCRIPTION	Q.TY	56	GEIPISO4026M5X5	Hexagon Socket Set Screw with Flat Point ISO 4026 - M5X5	2
1	COM.000319	COMPRESSION SPRING	1	57	RCNFE25-511-M4	Contact Washer NF E 25-511 M4	2
2	COM.000321	CYLINDER C85N20-20	1	58	SIP.P.000391	BLADE	2
3	COM.000323	FORC JOINT GKM8-16	1	59	SIP.P.001049	CUTTER LEVERAGE SX LV	2
4	COM.000325	SANYODENKY MOTOR SM2862-5155	1	60	SIP.P.001050	CYLINDER BRACKET SX LV	2
5	COM.000360	COMPRESSION SPRING	1	61	SIP.P.001053	CUTTER SUPPORT	2
6	COM.000710	SEEGER UNI7434-D5 (6-8)	1	62	VTCEIISO4762M6X35	Hexagon Socket Head Cap Screw ISO 4762 - M6X35	4
7	COM.000980	IGUS-GTM-0818-015	1	63	VTCEIISO4762M5X16	Hexagon Socket Head Cap Screw ISO 4762 - M5X16	6
8	DERISO4035M5	Hexagon Thin Nut ISO 4035 - M5	1	64	RPISO70896	Plain Washer - 6	8
9	GEIPISO4026M4X6	Hexagon Socket Set Screw with Flat Point ISO 4026 - M4X6	1				
10	GEIPISO4026M5X4	Hexagon Socket Set Screw with Flat Point ISO 4026 - M5X4	1				
11	GEIPISO4026M5X8	Hexagon Socket Set Screw with Flat Point ISO 4026 - M5X8	1				
12	GEIPISO4026M5X10	Hexagon Socket Set Screw with Flat Point ISO 4026 - M5X10	1				
13	GEIPISO4026M5X16	Hexagon Socket Set Screw with Flat Point ISO 4026 - M5X16	1				
14	GEIPISO4026M5X25	Hexagon Socket Set Screw with Flat Point ISO 4026 - M5X25	1				
15	SIP.P.000222	BELT SUPPORT LEVER	1				
16	SIP.P.000223	BELT TENSIONER SUPPORT	1				
17	SIP.P.000224	BLOCKING PIN	1				
18	SIP.P.000226	CARTER SPACER	1				
19	SIP.P.000227	LOWER CARTER	1				
20	SIP.P.000228	MAIN CARTER	1				
21	SIP.P.000229	SHAFT LOWER PULLEY	1				
22	SIP.P.000230	PULLEY Z14	1				
23	SIP.P.000251	BELT TENSIONER SHAFT	1				
24	SIP.P.000252	BELT TENSIONER BUSH	1				
25	SIP.P.000253	BELT TENSIONER THREADED SHAFT	1				
26	SIP.P.000254	BELT TENSIONER KNOB	1				
27	SIP.P.000255	LATCH SPRING SUPPORT	1				
28	SIP.P.000256	LATCH SPRING KNOB	1				
29	SIP.P.000257	LATCH SPRING PIN	1				
30	SIP.P.000260	CENTRAL PULLEY	1				
31	SIP.P.000261	CONICAL CENTERING BUSHING	1				
32	SIP.P.001042	LOWER PULLEY D27	1				
33	SIP.P.001044	STEPPING MOTOR SUPPORT LV	1				
34	SIP.P.001046	SUPPORT MOTOR PLATE LV	1				
35	SIP.P.001051	CYLINDER SHAFT LV	1				
36	SIP.P.001052	CENTRAL SHAFT PULLER LV	1				
37	VTBEIISO7380M5X10	Hexagon Socket Pan Head Cap Screw ISO 7380 - M5X10	1				
38	VTBEIISO7380M5X12	Hexagon Socket Pan Head Cap Screw ISO 7380 - M5X12	1				
39	VTBEIISO7380M5X20	Hexagon Socket Pan Head Cap Screw ISO 7380 - M5X20	1				
40	VTCEIISO4762M8X35	Hexagon Socket Head Cap Screw ISO 4762 - M8X35	1				
41	VTCEIISO4762M8X60	Hexagon Socket Head Cap Screw ISO 4762 - M8X60	1				
42	COM.000310	FITTING KQ2L04-M5A	2				
43	COM.000314	BUSHING 10-08-06	2				
44	COM.000318	SEEGER-UNI7435-D8	2				
45	COM.000324	FITTING KQ2L04-01AS	2				
46	COM.000340	FORC JOINT GKM6-12	2				
47	COM.000413	FLOW REGULATOR AS1201F-M5-04A	2				
48	COM.000613	CYLINDER SMC C85N16-25	2				
49	COM.000701	BUSHING 08-06-10	2				
50	COM.000709	SEEGER-UNI7434-D4 (5-7)	2				
51	DEABISO7040M4	Hexagon Self Locking Nut with Plastic Insert ISO 7040 - M4	2				
52	DEABISO7040M6	Hexagon Self Locking Nut with Plastic Insert ISO 7040 - M6	2				
53	DEABISO7040M8	Hexagon Self Locking Nut with Plastic Insert ISO 7040 - M8	2				
54	DEISO4032M6	Hexagon Nut ISO 4032 - M6	2				
55	GEIPISO4026M4X16	Hexagon Socket Set Screw with Flat Point ISO 4026 - M4X16	2				



	Code - Description :	Unit model :
	SIP.A.000263 - PULLER ASSEMBLY LV	6044-SPLV



POS	CODICE	DESCRIZIONE	QTA
1	COM.000311	FOTOCELLULA TAKEX GSM2RSN	1
2	COM.000595	SMC RACCORDO MINI M-5ALU-4	1
3	DEABISO7040M5	Dado Esagonale Autobloccante ISO 7040 - M5 8 Z	1
4	REOUNI8840B-M5	Rosetta Elastica Ondulata M5	1
5	SIP.P.000564	SUPPORTO FOTOCELLULA	1
6	SIP.P.000569	PIASTRA SUPPORTO FOTOCELLULE	1
7	SIP.P.000570	RAFFREDDATORE AGHI	1
8	SIP.P.000572	ALBERO FOTOCELLULE L100	1
9	SIP.P.000578	CARTER FOTOCELLULE	1
10	VTSEIISO4762M5X30	Vite Testa Svasata Esagono Incassato ISO 10642 - M5X30 10.9 Z	1
11	DISTMFM4-8-15	DISTANZIATORE M/F ESAGONALE M4-8-15 - 0968000415	2
12	SIP.P.000898	DISTANZIALE M4 D7.5 L10	2
13	VTCEIISO4762M3X16	Vite Testa Cilindrica Esagono Incassato ISO 4762 - M3X16 10.9 Z	2
14	VTCEIISO4762M4X8	Vite Testa Cilindrica Esagono Incassato ISO 4762 - M4X8 10.9 Z	2
15	GEIPIISO4026M4X5	Grano Esagono Incassato Piana ISO 4026 - M4X5 45H	3
16	SIP.P.001316	UGELLO RAFFREDDAMENTO AGHI CINTURE	4

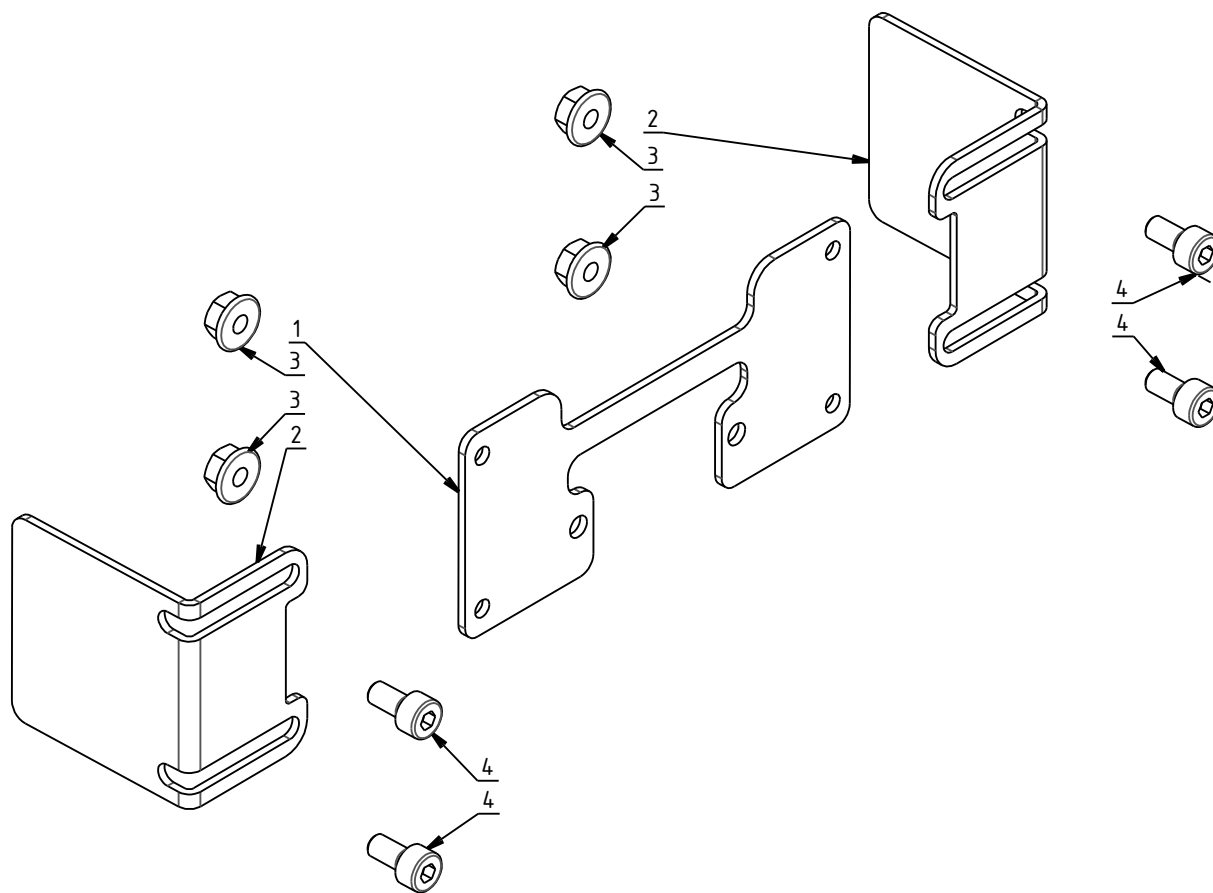
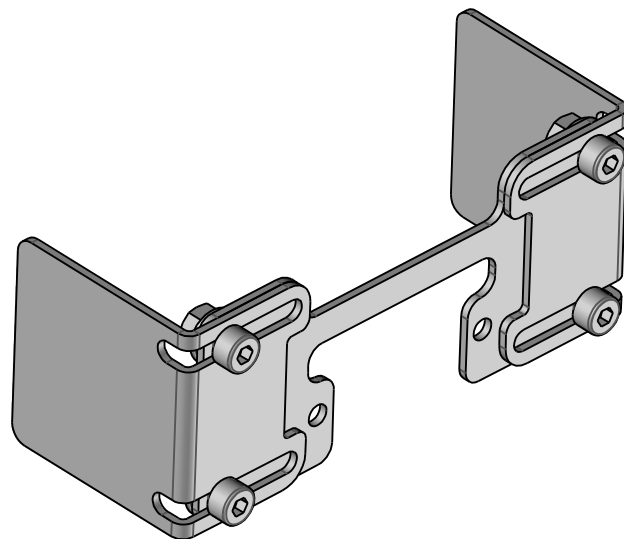


Code - Description :


SIP.A.000260 - PHOTOCELLS ASSEMBLY LV

Unit model :

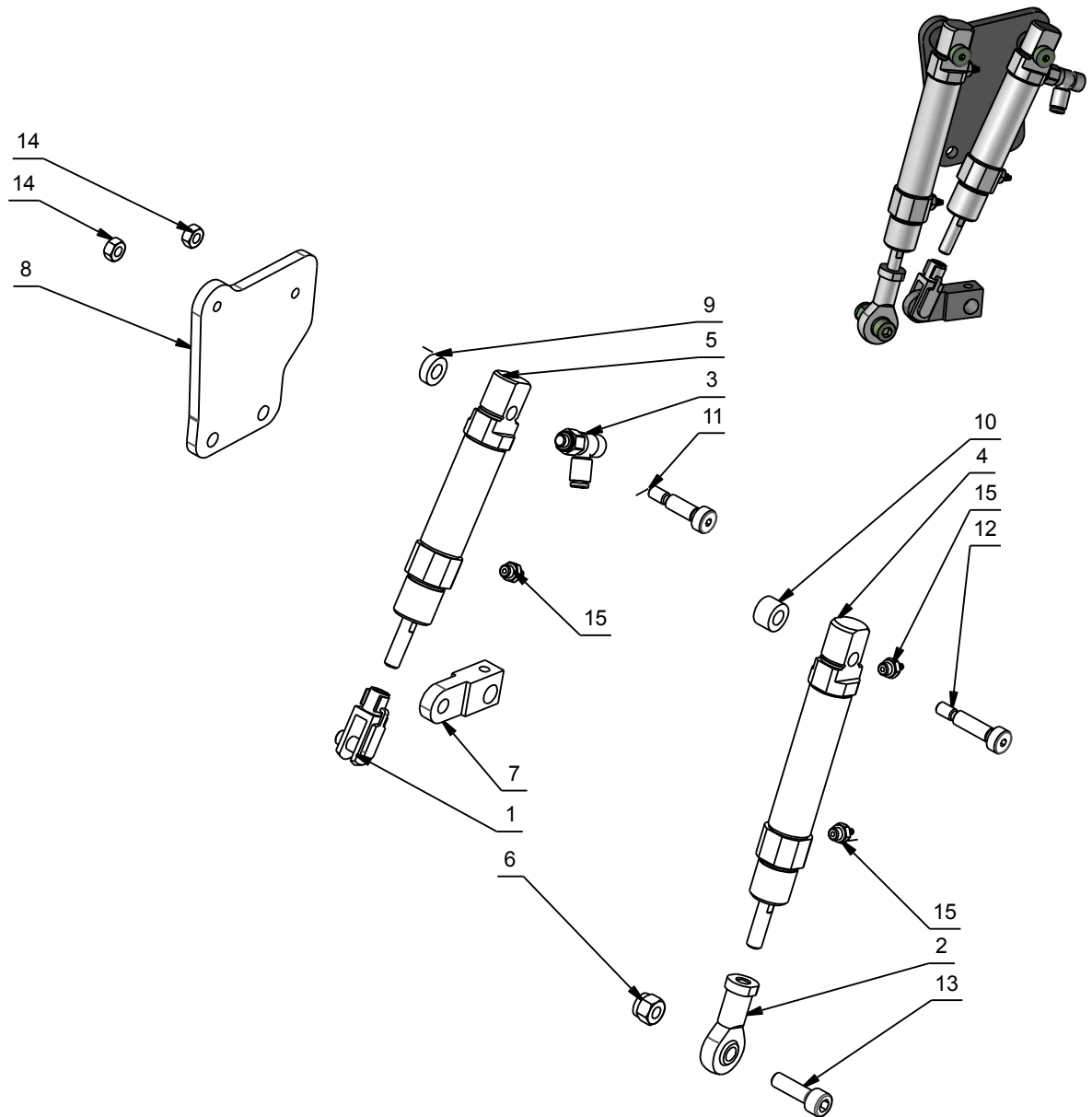
6044-SPLV



POS.	CODE	DESCRIPTION	Q.TY
1	SIP.P.001059	SAVE FINGER CARTER	1
2	SIP.P.001060	DJUSTABLE CARTER LV	2
3	DEFISO4161M4	Hexagon Nut with Flange ISO 4161 - M4	4
4	VTCEIISO4762M4X8	Hexagon Socket Head Cap Screw ISO 4762 - M4X8	4

	Code - Description :	Unit model :
	SIP.A.000265 - CARTER ASSEMBLY LV	6044-SPLV





POS.	CODE	DESCRIPTION	Q.TY
1	COM.000340	FORC JOINT GKM6-12	1
2	COM.000393	SFERICAL INTERFACE KJ6DM6	1
3	COM.000413	FLOW REGULATOR AS1201F-M5-04A	1
4	COM.000414	CYLINDER C85N16-30	1
5	COM.000644	SMC CYLINDER C85N16-15	1
6	DEABISO7040M6	Hexagon Self Locking Nut with Plastic Insert ISO 7040 - M6	1
7	SIP.P.000560	THREAD TENSIONING CLAMP	1
8	SIP.P.000577	CYLINDERS SUPPORT CH	1
9	SIP.P.000731	PISTON SPACER 4	1
10	SIP.P.000732	PISTON SPACER 8 mm	1
11	VTCEIGRISO73796X16	Hexagon Socket Head Shoulder Screw ISO 7379 - 6X16	1
12	VTCEIGRISO73796X20	Hexagon Socket Head Shoulder Screw ISO 7379 - 6X20	1
13	VTCEIISO4762M6X20	Hexagon Socket Head Cap Screw ISO 4762 - M6X20	1
14	DEISO4032M5	Hexagon Nut ISO 4032 - M5	2
15	COM.000596	MINI FITTING M-5AU-4	3

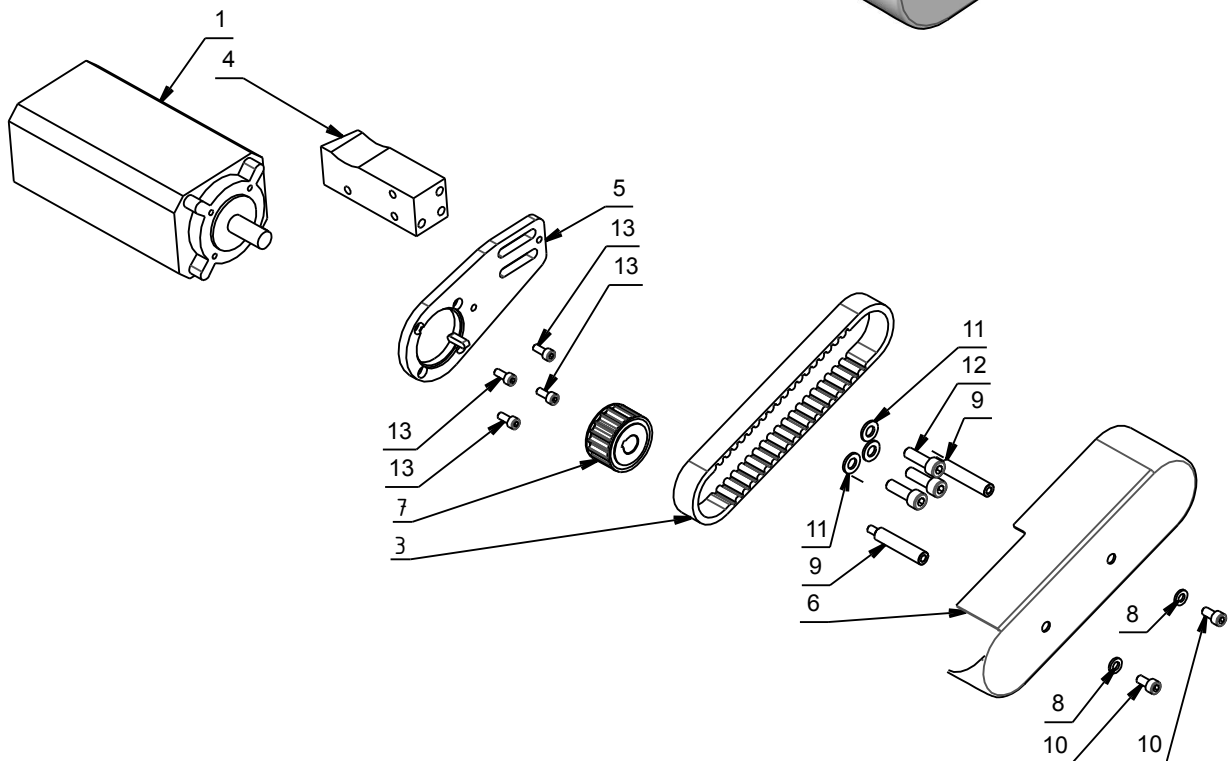
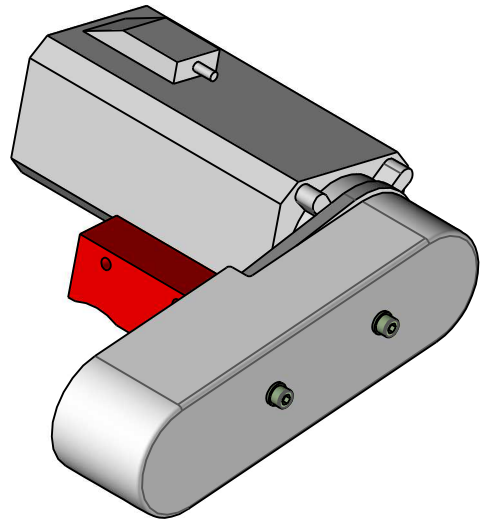


Code - Description :

SIP.A.000266 - CYLINDERS ASSEMBLY LV

Unit model :

6044-SPLV



POS.	CODE	DESCRIPTION	Q.TY
1	COM.000309	EFKA STEPPING MOTOR DC1550	1
2	COM.000313	PARALLEL KEY UNI6604 A 5X5X18	1
3	COM.001301	BELT OMEGA HTD 480-8M 20	1
4	SIP.P.000533	BRACKET INTERFACE	1
5	SIP.P.000557	MAIN MOTOR SUPPORT	1
6	SIP.P.000573	TRANSMISSION COVER	1
7	SIP.P.001609	TOOTHED PULLEY HTD Z18 8M	1
8	RPISO70896	Plain Washer - 6	2
9	SIP.P.000574	COVER SPACER	2
10	VTCEIISO4762M6X12	Hexagon Socket Head Cap Screw ISO 4762 - M6X12	2
11	RPISO70898	Plain Washer - 8	3
12	VTCEIISO4762M8X25	Hexagon Socket Head Cap Screw ISO 4762 - M8X25	3
13	VTCEIISO4762M5X12	Hexagon Socket Head Cap Screw ISO 4762 - M5X12	4

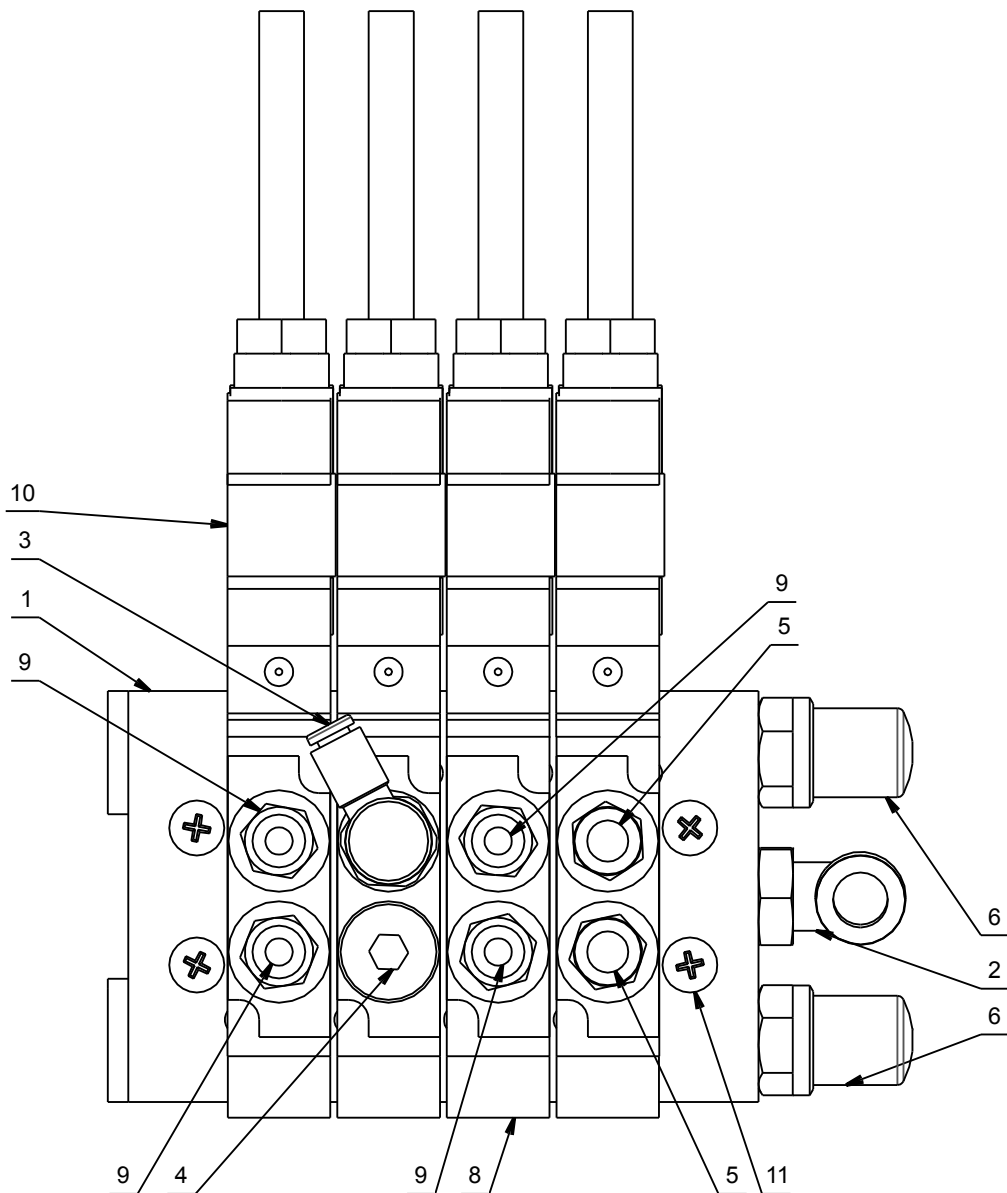


Code - Description :

SIP.A.000264 - MOTORS ASSEMBLY LV

Unit model :

6044-SPLV



POS.	CODE	DESCRIPTION	Q.TY
1	COM.000327	BASE INTERFACE SS5Y5-20-04-00F-Q	1
2	COM.000329	FITTING KQ2L08-02AS	1
3	COM.000383	FLOW REGULATOR AS2201F-01-04SA	1
4	COM.000427	PN - CAP DIN908 1/8"	1
5	COM.000334	FITTING KQ2H06-01AS	2
6	COM.000419	MUFFLER 1/4"	2
7	COM.000426	PN - CAP DIN908 1/4"	2
8	COM.000328	SOLENOID VALVE SY5120-5YO-01F-Q	4
9	COM.000333	FITTING KQ2H04-01AS	4
10	COM.000449	SOLENOID VALVE CONNECTOR DIN 43650C-S/LED 1MT	4
11	VLST-ZDIN7996-4X40	Wood Screw DIN7996 4x40	4

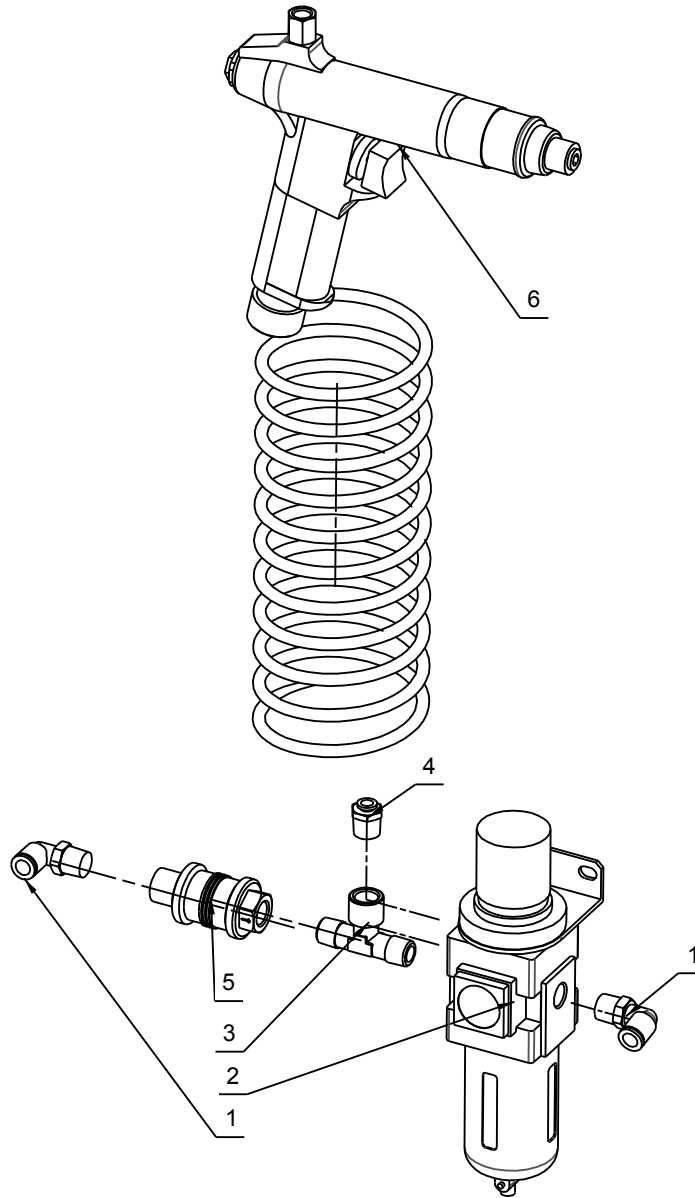


Code - Description :

SIP.A.000267 - AIR GROUP LV

Unit model :

6044-SPLV



POS.	CODE	DESCRIPTION	Q.TY
1	COM.000329	FITTING KQ2L08-02AS	2
2	COM.000342	AIR REGULATOR AW30-F02BE-B	1
3	COM.000343	TEE MFM 1/4 1/4	1
4	COM.000344	FITTING KQ2H06-02AS	1
5	COM.000430	PN - SLIDING VALVE 1/4"	1
6	COM.000448	AIR HOSE D6 + AIR GUN	1

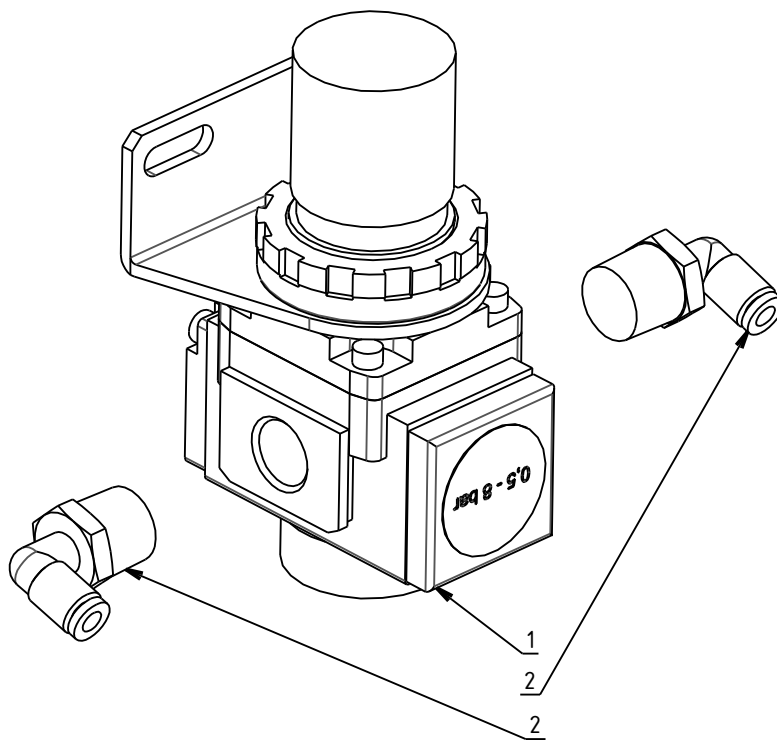


Code - Description :

SIP.A.000042 - AIR FILTER ASSEMBLY

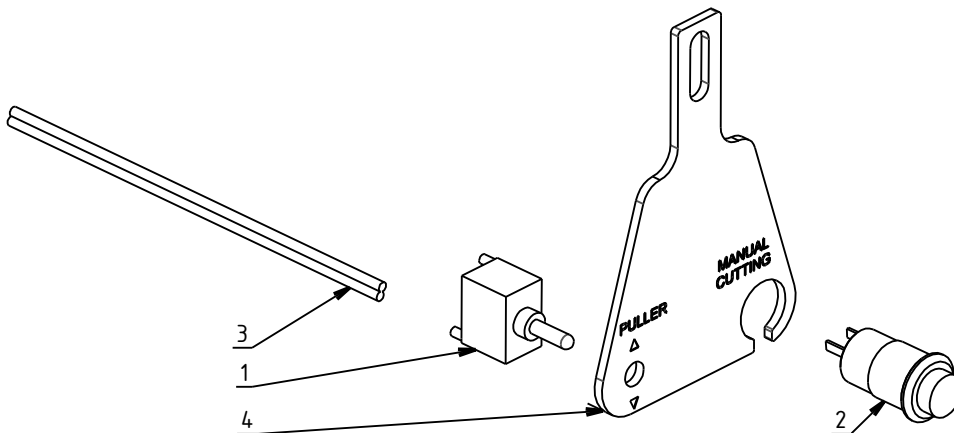
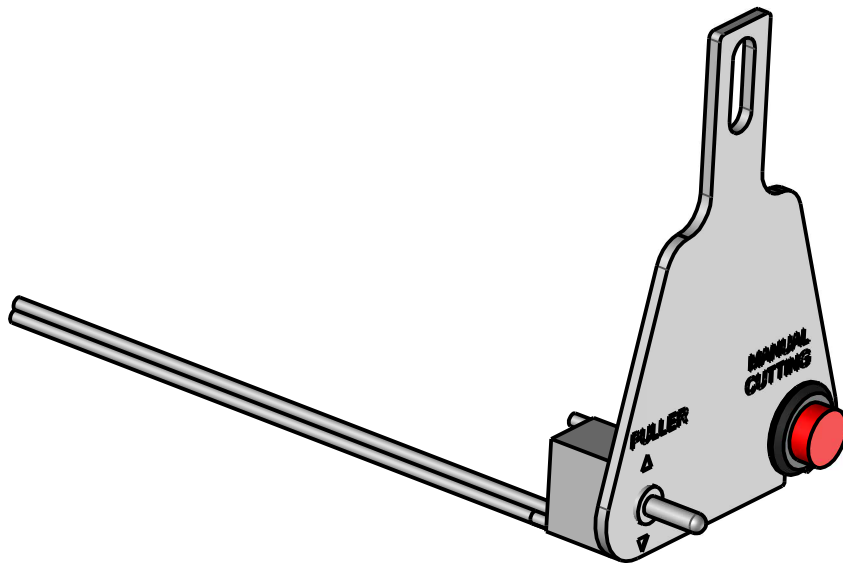
Unit model :

-



POS.	CODE	DESCRIPTION	Q.TY
1	COM.000331	AIR REGULATOR AR20K-F02BE	1
2	COM.000336	FITTING KQ2L04-02AS	2

	Code - Description :	Unit model :
	<b>SIP.A.000041 - AIR REGULATOR ASSEMBLY</b>	-



POS.	CODE	DESCRIPTION	Q.TY
1	COM.000388	MINI SWITCH	1
2	COM.000519	SWITCH BUTTON	1
3	COM.000604	ELECTRICAL CABLE BIPOLAR 0,75 mmq	1
4	SIP.P.000561	SWITCH PLATE	1



Code - Description :

SIP.A.000138 - SWITCH PLATE ASSEMBLY

Unit model :

6044-SPCH/LS/LV