

brother

# Operation Manual

Cover stitch machine / Top cover stitch machine

Product Code: 884-B30 / B31

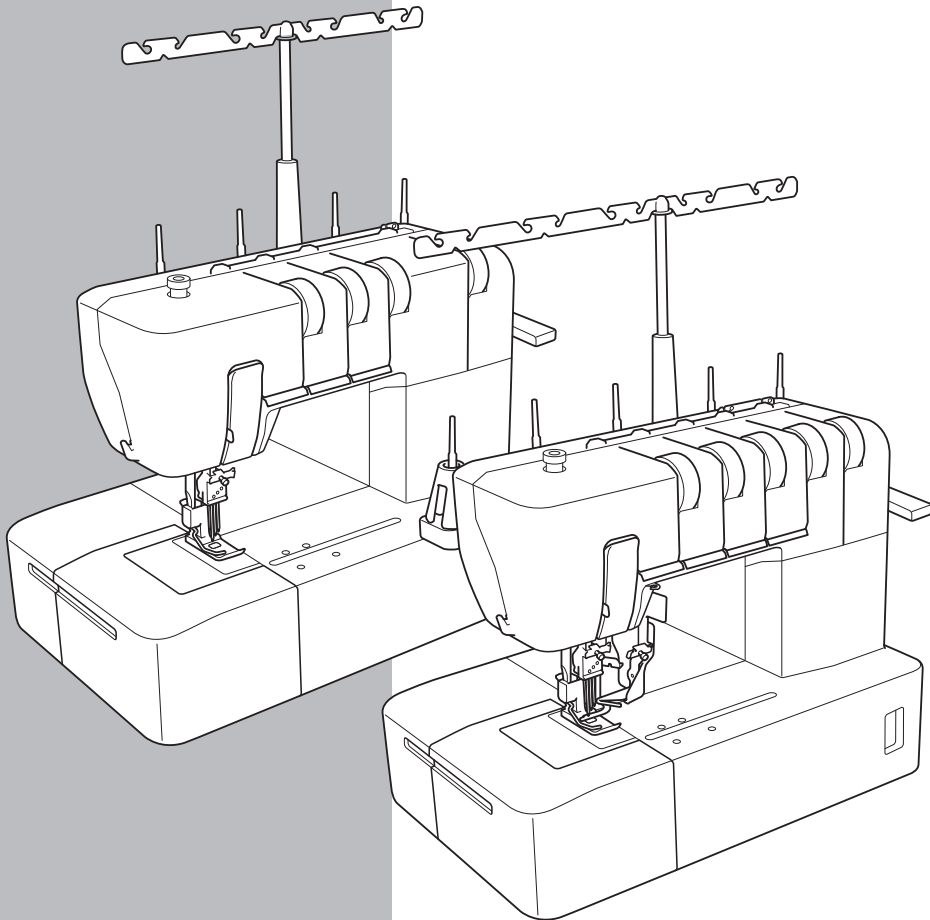
English

# Manual de instrucciones

Máquina recubridora / Máquina recubridora superior

Product Code (Código de producto): 884-B30 / B31

Español



Be sure to read this document before using the machine.

We recommend that you keep this document nearby for future reference.

Lea este documento antes de utilizar la máquina.

Recomendamos que tenga este documento a mano por si necesita consultarlo más adelante.

# IMPORTANT SAFETY INSTRUCTIONS

When using the sewing machine, basic safety precautions should always be followed, including the following. Read all instructions before using this machine.

## DANGER

**To reduce the risk of electric shock.**

The sewing machine should never be left unattended when plugged in. Always unplug this sewing machine from the electrical outlet immediately after using and before cleaning.

## WARNING

**To reduce the risk of burns, fire, electric shock, or injury to persons.**

1. Do not allow to be used as a toy. Close attention is necessary when the sewing machine is used by or near children.
2. Use this sewing machine only for its intended use as described in this manual. Use only accessories recommended by the manufacturer as contained in this manual.
3. Never operate this sewing machine if it has a damaged cord or plug, if it is not working properly, if it has been dropped or damaged, or dropped into water. Return the sewing machine to the nearest authorized dealer or service center for examination, repair, electrical or mechanical adjustment.
4. Never operate the sewing machine with any air openings blocked. Keep ventilation openings of the sewing machine and foot controller free from the accumulation of lint, dust, and loose cloth.
5. Never drop or insert any object into any openings.
6. Do not use outdoors.
7. Do not operate where aerosol (spray) products are being used or where oxygen is being administered.
8. To disconnect, turn the main switch to the symbol "O" position which represents off, then remove plug from outlet.
9. Do not unplug by pulling on cord. To unplug, grasp the plug, not the cord.
10. Keep fingers away from all moving parts. Special care is required around the sewing machine needle.
11. Always use the proper needle plate. The wrong plate can cause the needle to break.
12. Do not use bent needles.
13. Do not pull or push fabric while stitching. It may deflect the needle causing it to break.
14. Switch the sewing machine to the symbol "O" position when making any adjustments in the needle area, such as threading needle, changing needle, or changing presser foot, etc.
15. Always unplug the sewing machine from the electrical outlet when removing covers, lubricating, or when making any other user servicing adjustments mentioned in the instruction manual.
16. Electrical Hazards:
  - This machine should be connected to an AC power source within the range indicated on the rating label. Do not connect it to a DC power source or inverter. If you are not sure what kind of power source you have, contact a qualified electrician.
  - This machine is approved for use in the country of purchase only.
17. This sewing machine is not intended for use by young children or infirm persons without supervision.
18. Young children should be supervised to ensure that they do not play with this sewing machine.

19. Do not disassemble the machine.
20. If the LED light unit (light-emitting diode) is damaged, it must be replaced by authorized dealer.

## CAUTION

**To use the machine safely**

1. (For U.S.A. only)  
This appliance has a polarized plug (one blade wider than the other) to reduce the risk of electric shock, this plug is intended to fit in a polarized outlet only one way. If the plug does not fit fully in the outlet, reverse the plug. If it still does not fit, contact a qualified electrician to install the proper outlet.  
Do not modify the plug in any way.
2. Make sure you watch the needles carefully while you are sewing. Do not touch the handwheel, needles, knives, or other moving parts.
3. Turn off the main power and unplug the cord in the following circumstances:
  - When you have stopped using the machine
  - When you are replacing or removing the needle or any other part
  - If there is a power failure while you are using the machine
  - If you are checking or cleaning the machine
  - Leaving the machine unattended
4. Do not store anything on the foot controller.
5. Fully plug the machine directly into the wall. Do not use extension cords.
6. If water is dropped on the machine, unplug the machine immediately, and contact your local authorized dealer.
7. Do not put furniture on the cord.
8. Do not bend the cord, or pull on the cord to unplug.
9. Do not touch the cord with wet hands.
10. Place the machine near to the wall outlet.
11. Do not place the machine on an unstable surface.
12. Do not put on the soft cover.
13. If you notice any abnormal sound or condition, consult your local authorized dealer.

### **To give your machine a longer life**

1. Do not store this machine in direct sunlight or in high humidity conditions. Do not use or store the machine near a heater, iron, halogen lamp or other hot object.
2. Use only mild soaps or detergents to clean the case. Benzene, thinner, and scouring powders can damage the case and machine, and should never be used.
3. Do not drop or hit the machine.
4. Always consult this manual before you replace or fit the presser foot, needle, or any other parts to make sure you fit them correctly.

### **To repair or adjust the machine**

If the machine breaks down or needs adjustment, first follow the troubleshooting table to inspect and adjust the machine yourself. If the problem persists, consult your local authorized dealer.

# SAVE THESE INSTRUCTIONS

**This machine is intended for household use.**

## FOR USERS IN COUNTRIES EXCEPT CENELEC COUNTRIES

This appliance is not intended for use by persons (including children) with reduced physical, sensory or mental capabilities, or lack of experience and knowledge, unless they have been given supervision or instruction concerning use of the appliance by a person responsible for their safety. Children should be supervised to ensure that they do not play with the appliance.

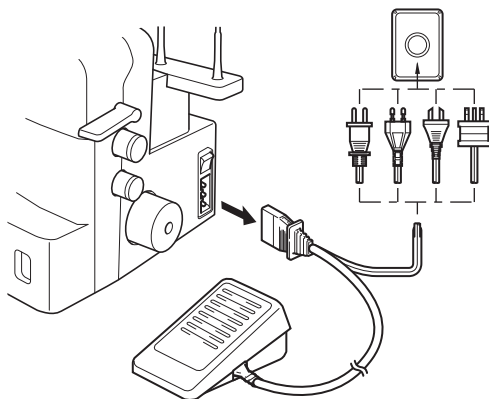
## FOR USERS IN CENELEC COUNTRIES

This appliance can be used by children aged from 8 years and above and persons with reduced physical, sensory or mental capabilities or lack of experience and knowledge if they have been given supervision or instruction concerning use of the appliance in a safe way and understand the hazards involved. Children shall not play with the appliance. Cleaning and user maintenance shall not be made by children without supervision.

## ! CAUTION


When leaving this sewing machine unattended, the main power and light switch of the machine must be switched off or the plug must be removed from the socket-outlet.

When servicing the sewing machine, or when removing covers, the machine or the electrical set must be disconnected from the supply by removing the plug from the socket-outlet.



## FOR USERS IN THE UK, EIRE, MALTA AND CYPRUS ONLY

### IMPORTANT

- In the event of replacing the plug fuse, use a fuse approved by ASTA to BS 1362, i.e. carrying the  mark, rating as marked on plug.
- Always replace the fuse cover. Never use plugs with the fuse cover omitted.
- If the available electrical outlet is not suitable for the plug supplied with this equipment, you should contact your authorized dealer to obtain the correct lead.

# CONGRATULATIONS ON CHOOSING THIS COMPACT OVERLOCK MACHINE

Your machine is a high quality, easy-to-use product. To fully enjoy all the features, we suggest that you study this booklet.

If you need more information regarding the use of your machine, your nearest authorized dealer is always happy to be of service.

Enjoy yourself!

## ⚠ CAUTION

When threading or replacing needle, the main power and light switch of the machine must be switched off or the plug must be removed from the socket-outlet.

When the machine is not in use, it is recommended that the electric supply plug is disconnected from the wall socket to avoid any possible hazards.

## Notes on the motor

- The maximum operating speed of this sewing machine is 1,000 stitches per minute, which is quite fast compared to the normal operating speed of 300 to 800 stitches per minute for the ordinary sewing machine.
- The bearings in the motor are made of a special material (oil-impregnated alloy mounted in felt heat-treated with oil) that enables them to withstand long hours of continuous operation.
- Continuous operation of the sewing machine can cause heat to build in the motor area, but not enough to adversely affect its performance.  
It is important to keep fabric and paper away from the air openings on the back and sides of the machine so air can get to these openings.
- When the motor is running, sparks can be seen through the air openings in the motor bracket on the side opposite the handwheel. These sparks are produced by the carbon brushes and the commutator, and are part of the machines normal operation.

## WARNING LABELS (for complying with UL and CSA requirements)

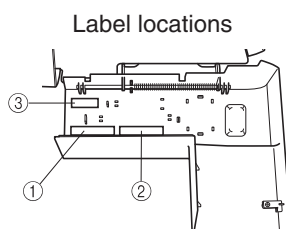
The following warning labels are on the machine.

Be sure to observe the precautions described in the labels.

Caution (U.S.A. and CANADA only)

① **CAUTION:**  
MOVING PARTS- TO AVOID INJURY:  
CLOSE COVER BEFORE SEWING.  
UNPLUG BEFORE SERVICING.

② **AVERTISSEMENT:**  
PARTIES EN MOUVEMENT. POUR  
ÉVITER TOUTE BLESSURE:  
FERMER LE CAPOT AVANT DE  
COUDRE.  
DÉBRANCHER AVANT ENTRETIEN.



Face plate sticker (U.S.A. and CANADA only)

③ CLOSE DOOR BEFORE  
OPERATING MACHINE  
FERMER LE COUVERT AVANT  
D'OPÉRER LA MACHINE

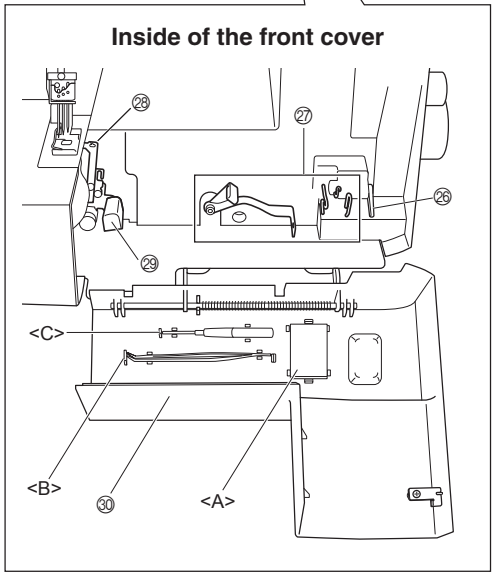
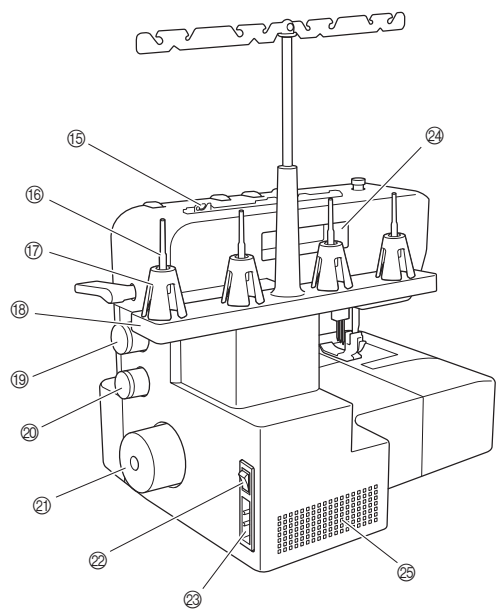
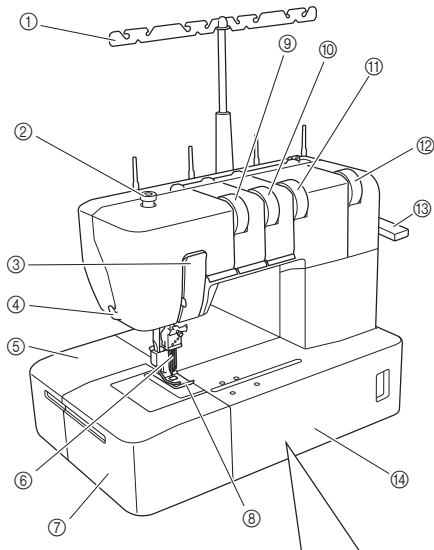


# Contents

<b>Chapter 1 : NAMES OF PARTS AND THEIR FUNCTIONS</b> .....	<b>4</b>
Machine (Cover stitch model) (Product code: 884-B30) .....	4
Accessories (Cover stitch model) .....	5
Machine (Top cover stitch model) (Product code: 884-B31) .....	6
Accessories (Top cover stitch model) .....	7
Powering the machine.....	8
Turning direction of handwheel.....	8
Opening/Closing front cover .....	8
Attaching/Removing a presser foot.....	8
Free-arm sewing (removing the bed extension).....	9
Looper thread tension adjustment lever.....	9
Stitch length .....	10
Differential feed .....	10
Adjusting the presser foot pressure .....	11
Adjusting the tension dials .....	11
Needle .....	12
Removing/Installing the needle.....	12
<b>Chapter 2 : PREPARATION BEFORE THREADING</b> .....	<b>13</b>
Thread tree .....	13
Using the thread spool cap .....	13
Spool mat.....	13
Using the spool mat .....	13
Using the thread net .....	14
Before threading .....	14
<b>Chapter 3 : THREADING (Cover stitch model)</b> .....	<b>15</b>
Threading the looper.....	15
Threading the needles .....	16
<b>Chapter 4 : THREADING (Top cover stitch model)</b> .....	<b>17</b>
Threading the looper.....	17
Threading the needles .....	18
Attaching/Removing the top cover spreader and top cover thread guide .....	19
Threading the top cover spreader.....	20
<b>Chapter 5 : TYPE OF STITCHES COMPARISON CHART</b> .....	<b>21</b>
<b>Chapter 6 : SEWING</b> .....	<b>24</b>
Sewing flat fabric (for example, trial sewing).....	24
Removing the fabric from the machine (Cover stitch model) .....	24
Removing the fabric from the machine (Top cover stitch model) .....	25
Sewing a cover stitch .....	27
Sewing tubular garments (for example, cuffs).....	27
Stabilizing the beginning and end of stitching.....	28
<b>Chapter 7 : TROUBLESHOOTING</b> .....	<b>29</b>
<b>Chapter 8 : MAINTENANCE</b> .....	<b>30</b>
Cleaning.....	30
<b>SPECIFICATIONS</b> .....	<b>31</b>

# CHAPTER 1 NAMES OF PARTS AND THEIR FUNCTIONS

## Machine (Cover stitch model) (Product code: 884-B30)



- ① Thread tree
- ② Presser foot pressure adjustment screw
- ③ Thread take-up cover
- ④ Thread cutter
- ⑤ Material plate cover
- ⑥ Needles
- ⑦ Bed extension
- ⑧ Presser foot
- ⑨ Left needle thread tension dial
- ⑩ Center needle thread tension dial
- ⑪ Right needle thread tension dial
- ⑫ Looper thread tension dial
- ⑬ Presser foot lever
- ⑭ Front cover
- ⑮ Thread guide
- ⑯ Spool pin
- ⑰ Spool cushion

- ⑱ Spool support
- ⑲ Stitch length adjustment dial
- ⑳ Differential feed ratio adjustment dial
- ㉑ Handwheel
- ㉒ Main power and light switch
- ㉓ Foot controller socket
- ㉔ Handle
- ㉕ Air openings

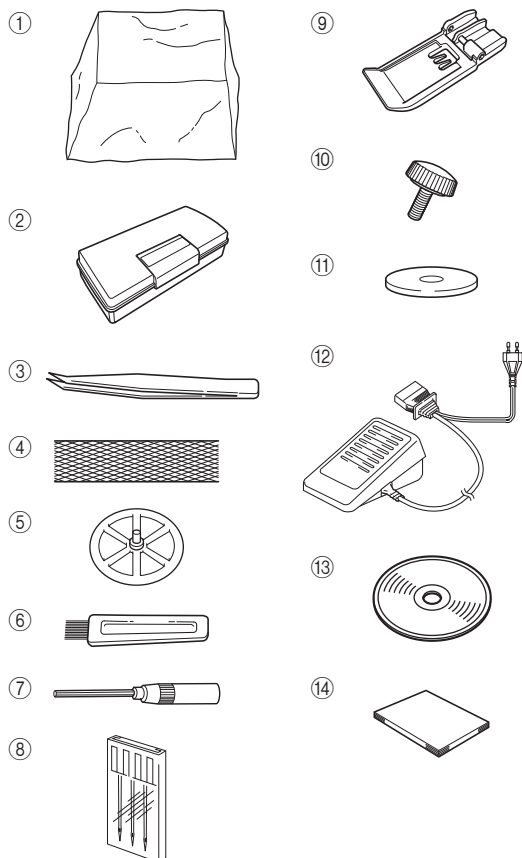
**Inside of the front cover**

- ㉖ Looper thread tension adjustment lever
- ㉗ Looper thread take-up
- ㉘ Looper
- ㉙ Looper release lever
- ㉚ Front cover compartment

*You can store the included accessories in this front cover compartment. <A>: Needle set, <B>: Tweezers, <C>: Hexagonal driver*

## Accessories (Cover stitch model)

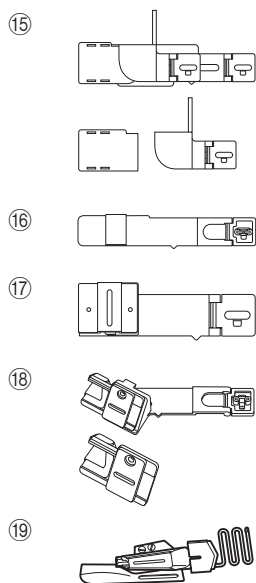
### ■ Included accessory



No.	Part Name	Part Code
①	Soft cover	XB3264001
②	Accessory box	XB3291001
③	Tweezers	XB1618001
④	Thread net (4)	X75904000
⑤	Thread spool cap (4)	X77260000
⑥	Cleaning brush	X75906001
⑦	Hexagonal driver	XB0393001
⑧	Needle set (130/705H) #90: 3 pcs.	XB1216001
⑨	Clear foot	XB3361001
⑩	Attachment screw (2)	XB3292001
⑪	Spool mat (4)	XB1218001
⑫	Foot controller	XC7359021 (120V Area) XB3112001 (230V Area) XB3134001 (U.K.) XB3200001 (Argentina) XB3156001 (Korea) XB3255001 (China) XB3190001 (Australia, New Zealand) XF2826001 (Brazil 127V) XB3178001 (Brazil 220V)
⑬	Instruction DVD	XB3301001 (NTSC) XB3305001 (PAL)
⑭	Operation Manual	-

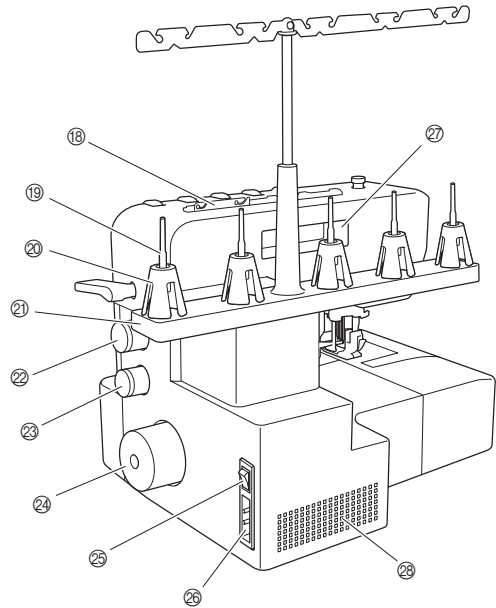
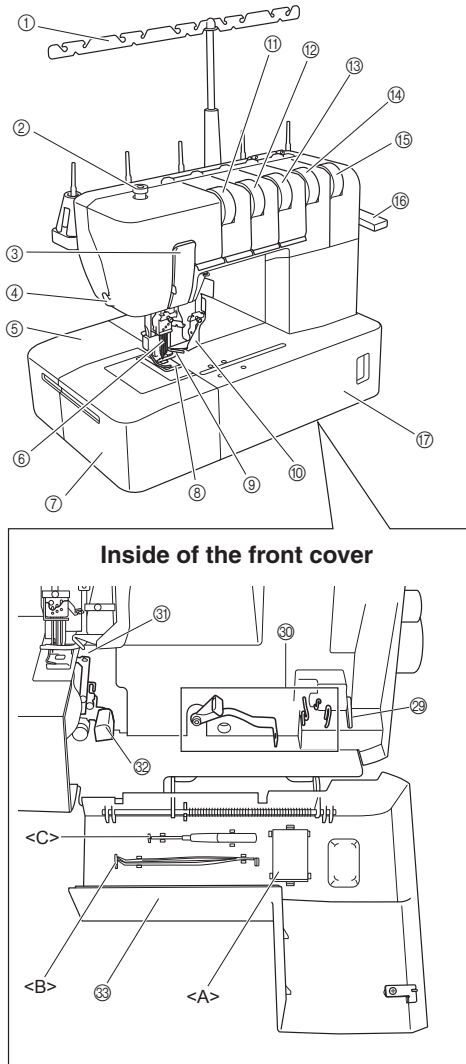
### ■ Optional accessory

When using the following accessories, use the presser foot included in the accessories.



No.	Product Name	Part Code		
		Americas	Europe	Others
⑮	Hemming set	SA221CV	SA221CV/ XB2970-101	SA221CV
⑯	Bias tape folder	SA222CV	SA222CV/ XB2971-101	SA222CV
⑰	Belt loop guide	SA223CV	SA223CV/ XB2972-101	SA223CV
⑱	Bias tape binding set	SA230CV	SA230CV/ XB3387-001	SA230CVAP
⑲	Dual function fold binder	SA231CV	SA231CV/ XB3388-001	SA231CVAP

## Machine (Top cover stitch model) (Product code: 884-B31)



- ① Thread tree
- ② Presser foot pressure adjustment screw
- ③ Thread take-up cover
- ④ Thread cutter
- ⑤ Material plate cover
- ⑥ Needles
- ⑦ Bed extension
- ⑧ Presser foot
- ⑨ Top cover spreader
- ⑩ Top cover thread guide
- ⑪ Left needle thread tension dial
- ⑫ Center needle thread tension dial
- ⑬ Right needle thread tension dial
- ⑭ Top cover thread tension dial
- ⑮ Looper thread tension dial
- ⑯ Presser foot lever
- ⑰ Front cover
- ⑱ Thread guide
- ⑲ Spool pin

- ⑳ Spool cushion
- ㉑ Spool support
- ㉒ Stitch length adjustment dial
- ㉓ Differential feed ratio adjustment dial
- ㉔ Handwheel
- ㉕ Main power and light switch
- ㉖ Foot controller socket
- ㉗ Handle
- ㉘ Air openings

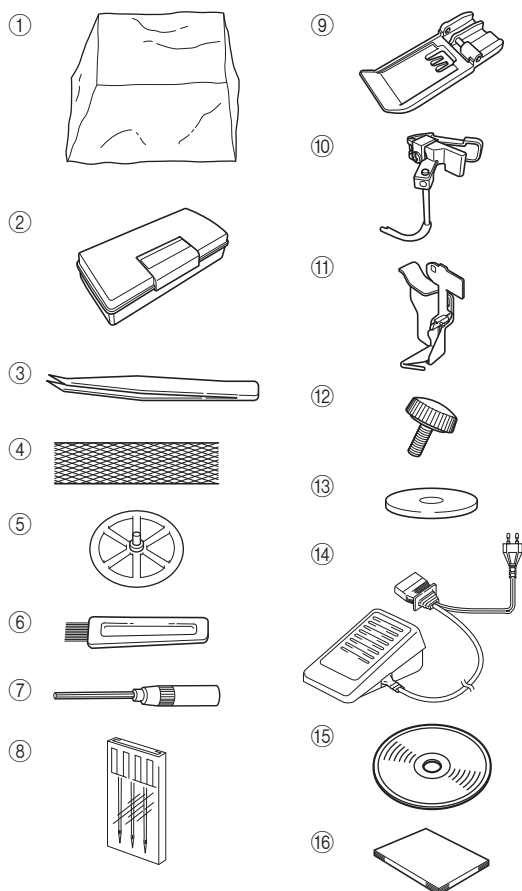
### Inside of the front cover

- ㉙ Looper thread tension adjustment lever
- ㉚ Looper thread take-up
- ㉛ Looper
- ㉜ Looper release lever
- ㉝ Front cover compartment

You can store the included accessories in this front cover compartment. <A>: Needle set, <B>: Tweezers, <C>: Hexagonal driver

## Accessories (Top cover stitch model)

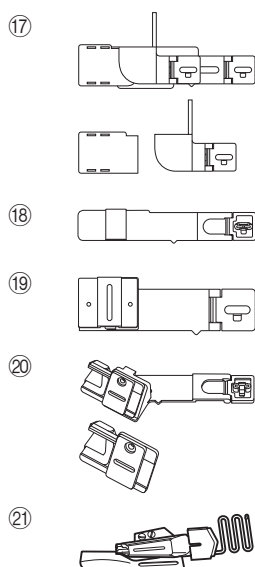
### ■ Included accessory



No.	Part Name	Part Code
①	Soft cover	XB3264001
②	Accessory box	XB3291001
③	Tweezers	XB1618001
④	Thread net (5)	X75904000
⑤	Thread spool cap (5)	X77260000
⑥	Cleaning brush	X75906001
⑦	Hexagonal driver	XB0393001
⑧	Needle set (130/705H) #90: 3 pcs.	XB1216001
⑨	Clear foot	XB3361001
⑩	Top cover spreader	XB3090001
⑪	Top cover thread guide	XB3105001
⑫	Attachment screw (2)	XB3292001
⑬	Spool mat (5)	XB1218001
⑭	Foot controller	XC7359021 (120V Area) XB3112001 (230V Area) XB3134001 (U.K.) XB3200001 (Argentina) XB3156001 (Korea) XB3255001 (China) XB3190001 (Australia, New Zealand) XF2826001 (Brazil 127V) XB3178001 (Brazil 220V)
⑮	Instruction DVD	XB3301001 (NTSC) XB3305001 (PAL)
⑯	Operation Manual	-

### ■ Optional accessory

When using the following accessories, use the presser foot included in the accessories.



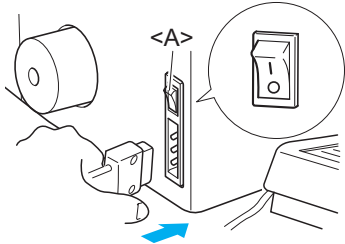
No.	Product Name	Part Code		
		Americas	Europe	Others
⑰	Hemming set *	SA221CV	SA221CV/ XB2970-101	SA221CV
⑱	Bias tape folder	SA222CV	SA222CV/ XB2971-101	SA222CV
⑲	Belt loop guide	SA223CV	SA223CV/ XB2972-101	SA223CV
⑳	Bias tape binding set	SA230CV	SA230CV/ XB3387-001	SA230CVAP
㉑	Dual function fold binder	SA231CV	SA231CV/ XB3388-001	SA231CVAP

\* Can be used only with a cover stitch; cannot be used with a top cover stitch.

## Powering the machine

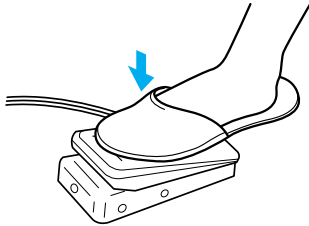
### ■ Turning on the machine

1. Insert the three-pin plug into the socket on the lower-right side of the machine. Insert the power supply plug into a power outlet.
2. Turn the main power and light switch <A> to "I" mark (to "O" mark to turn off).



### ■ Operation

When the foot controller is pressed lightly, the machine runs at a low speed. As the foot controller is pressed further, the machine will increase speed. When the foot controller is released, the machine stops.



**NOTE (For U.S.A. only):**

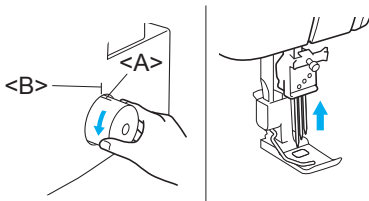
Foot controller: Model KD-1902

This foot controller can be used on the machine with product code 884-B30 and 884-B31.

\* The product code is shown on the machine rating plate.

## Turning direction of handwheel

The handwheel <A> turns in a counterclockwise direction (direction of arrow). This is the same direction as an ordinary home sewing machine. Move the needles to their highest positions by turning the handwheel so that the mark <B> on the handwheel is aligned with the line on the machine.



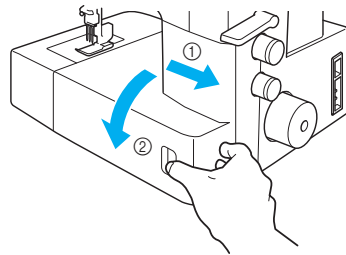
## Opening/Closing front cover

It is necessary to open the front cover when threading this machine. Slide it to the right ①, and then open it ②. After closing it, slide it to the left.

### ⚠ CAUTION

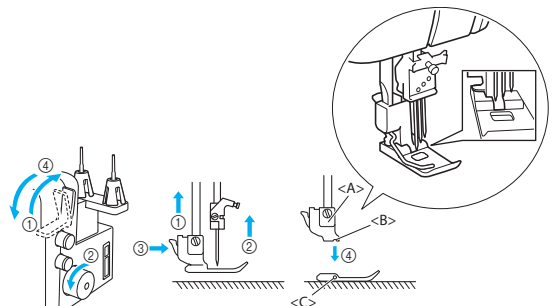
For your safety, make sure that the front cover is closed when operating the machine.

Always turn off the machine before opening the front cover.



## Attaching/Removing a presser foot

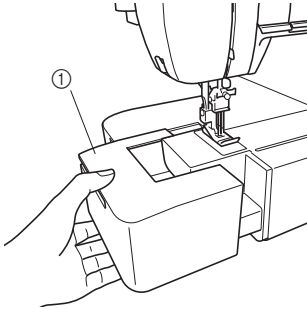
1. Turn off the main power and light switch or disconnect the power supply plug.
2. Raise the presser foot lever ①.
3. Turn the handwheel ② so that the line on the handwheel is aligned with the line on the machine. (See "Turning direction of handwheel" in CHAPTER 1.)
4. Push the button on the presser foot holder ③ to release the standard presser foot.
5. Raise the presser foot farther by pushing the presser foot lever upward. Then, remove the presser foot and store it in a safe location.
6. Again, raise the presser foot farther by pushing the presser foot lever upward. Place the presser foot just under the presser foot holder <A> so that the groove in the bottom of the presser foot holder <B> is aligned with the bar on the top of the foot <C>, and then lower the presser foot lever to attach the foot ④.



## Free-arm sewing (removing the bed extension)

Free-arm sewing enables tubular pieces to be sewn more easily.

1. Remove the bed extension.

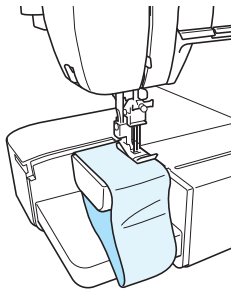


- ① Bed extension

### NOTE:

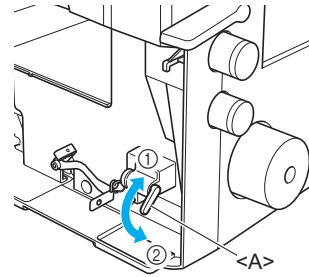
*Be careful not to lose the removed bed extension.*

2. Position the fabric, and then start sewing.  
(See CHAPTER 5.)



## Looper thread tension adjustment lever

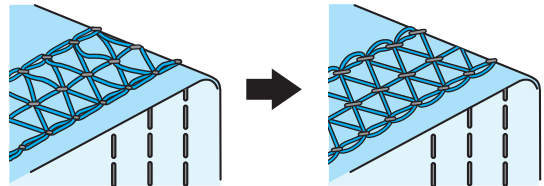
With the looper thread tension adjustment lever, fine adjustments can be made to the looper thread tension. When sewing stretch fabric or with a small stitch length, raise the lever to increase the tension of the looper thread. When sewing non-stretch fabric or with a large stitch length, lower the lever to reduce the tension of the looper thread.



- ① Raise the lever to increase the tension of the looper thread.
  - ② Lower the lever to reduce the tension of the looper thread.
- <A> Looper thread tension adjustment lever

### ■ Non-stretch fabric such as serge

Reduce the tension of the looper thread.

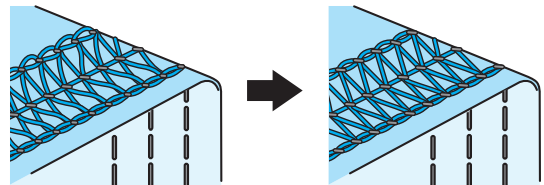


Lever position: Center

Lever position: Down

### ■ Stretch fabric such as smooth knit

Increase the tension of the looper thread.



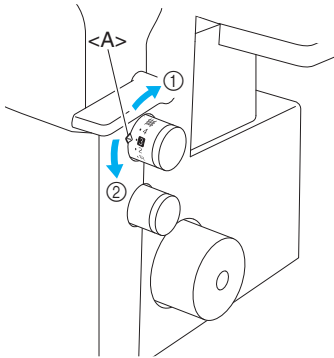
Lever position: Center

Lever position: Up



## Stitch length

The normal stitch length setting is 3 mm. To change the stitch length, turn the stitch length adjustment dial on the right side of the machine.



- ① Shorten the stitch length to a minimum of 2 mm (5/64 inch).
  - ② Lengthen the stitch to a maximum of 4 mm (5/32 inch).
- <A> Selection mark

## Differential feed

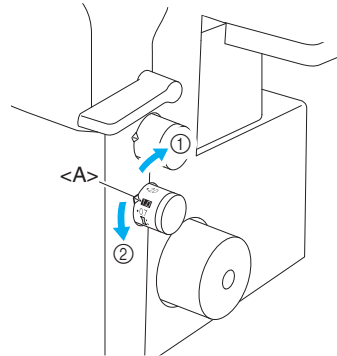
There are two sets of feed dogs under the presser foot to move the fabric through the machine. The differential feed controls the movement of both the front and the rear feed dogs. When set at 1, the feed dogs are moving at the same speed (ratio of 1). When the differential feed ratio is set at less than 1, the front feed dogs move less than the rear feed dogs, stretching the fabric as it is sewn. This is effective on lightweight fabric that may pucker. When the differential feed ratio is set at greater than 1, the front feed dogs move more than the rear feed dogs, gathering the fabric as it is sewn. This function assists in removing rippling when sewing stretch fabrics.

### ■ Differential feed adjustment

Feed ratio	Main feed (rear)	Differential feed (front)	Effect	Application
Less than 1.0			Material is pulled tight.	Prevents thin materials from puckering
1.0			Without differential feed.	Normal sewing
Greater than 1.0			Material is gathered or pushed together.	Prevents stretch materials from stretching or puckering

The normal setting is 1.0 on the differential feed adjustment dial.

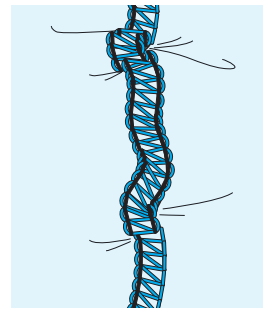
To adjust the differential feed, turn the dial on the lower-right side of the machine.



- ① Less than 1.0
  - ② Greater than 1.0
- <A> Selection mark

### An example

When stretch material is sewn without using the differential feed, the fabric will be wavy.



To get a smooth finish, adjust the feed ratio from 1.0 toward 2.0.

(The feed ratio required depends on the elasticity of the material.)

The more elastic the material, the further toward 2.0 the differential feed ratio should be set. Test sew with a scrap of the fabric to find the correct adjustment.

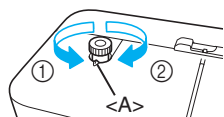
## ⚠ CAUTION

When sewing thick non-stretchable material such as denim, do not use the differential feed as it may damage the fabric.

## Adjusting the presser foot pressure

Turn the pressure adjustment screw on the left of the top of the machine. Refer to the value on the screw to make the adjustment.

The normal setting is "2".

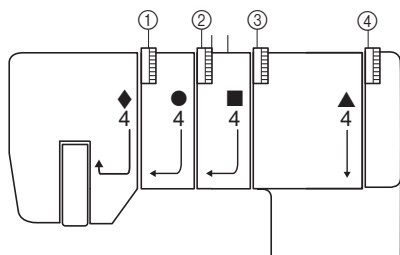


- ① Less pressure
- ② More pressure
- <A> Selection mark

## Adjusting the tension dials

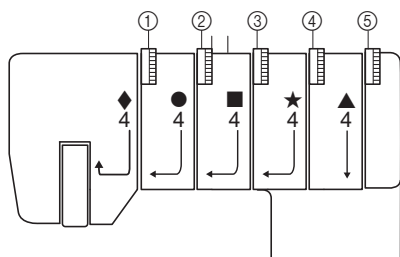
There is a thread tension dial for each needle thread, the looper thread and the top cover thread. The correct thread tension may vary according to the type and thickness of the fabric and the type of thread used. Thread tension adjustments may be necessary for any change in sewing materials.

### ■ Cover stitch model



- ① The tension dial marked in yellow is for the left needle thread.
- ② The tension dial marked in green is for the center needle thread.
- ③ The tension dial marked in pink is for the right needle thread.
- ④ The tension dial marked in blue is for the looper thread.

### ■ Top cover stitch model

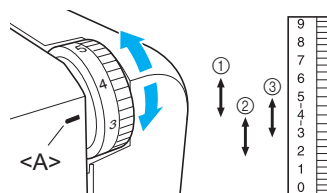


- ① The tension dial marked in yellow is for the left needle thread.
- ② The tension dial marked in green is for the center needle thread.
- ③ The tension dial marked in pink is for the right needle thread.
- ④ The tension dial marked in purple is for the top cover thread.
- ⑤ The tension dial marked in blue is for the looper thread.

### ■ Tension control

Sewing is possible at position "4" for most circumstances. (Standard: SPAN #60)

If the stitch quality is insufficient, select a different tension setting.



- ① For heavy tension: 4 to 6
- ② For light tension: 4 to 2
- ③ For medium tension: 5 to 3
- <A> Tension selection mark

## ⚠ CAUTION

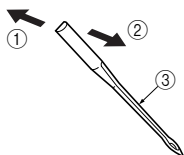
Make sure that the thread is properly seated in the tension discs.

## Needle

This machine uses a standard home sewing machine needle.

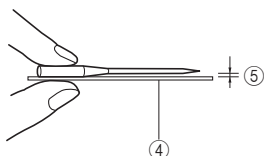
The recommended needle is 130/705H (#90).

### Needle description



- ① Back (flat side)
- ② Front
- ③ Groove

### How to check the needle



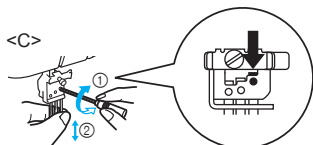
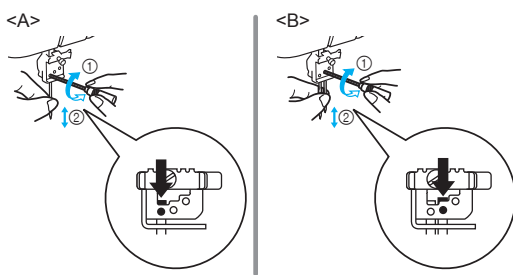
- ④ Flat surface
- ⑤ Place the needle on its flat side and check to see if the space is even.

#### NOTE:

Fabric damage can be reduced by using 130/705H SUK (#90) BALL POINT.

## Removing/Installing the needle

- <A> Removing/installing the left needle
- <B> Removing/installing the center needle
- <C> Removing/installing the right needle



- ① Tighten
- ② Loosen

### To remove:

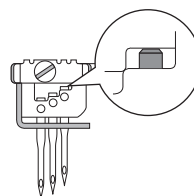
1. Turn off the main power and light switch.
2. Turn the handwheel so that the line on the handwheel is aligned with the line on the machine. (See "Turning direction of handwheel" in CHAPTER 1.)
3. Loosen the corresponding needle set screw by turning it with the included hexagonal driver toward ② in the illustration, and then remove the needle.

### To install:

1. Turn off the main power and light switch.
2. Turn the handwheel so that the line on the handwheel is aligned with the line on the machine.
3. Hold the needle with its flat side away from you and insert it up as far as it will go.
4. Tighten the needle set screw securely by turning it with the included hexagonal driver toward ① in the illustration.

#### NOTE:

Be sure to insert the needles all the way.



## CAUTION

Always be sure to turn off the power before removing/inserting the needle.

Do not drop the needle and needle set screw in the machine, otherwise it may be damaged.

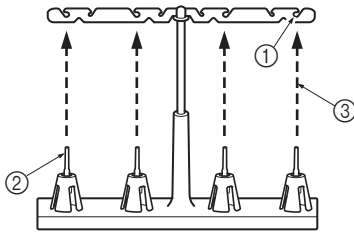
# CHAPTER 2

## PREPARATION BEFORE THREADING

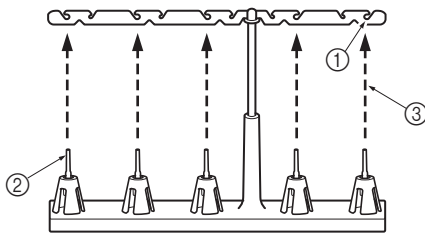
### Thread tree

Raise the telescoping thread tree to its highest position. Make sure that the thread holders are in alignment above the spool pins as illustrated below.

#### Cover stitch model



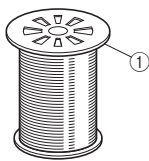
#### Top cover stitch model



- ① Thread holder on thread tree
- ② Spool pin
- ③ Correct position

### Using the thread spool cap

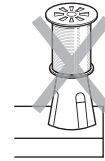
When using sewing thread spools, the thread spool cap should be used as illustrated below. Make sure that the spool notch is on the bottom.



- ① Thread spool cap

## CAUTION

Before using a thread spool, be sure to remove the spool cushion.



Before using loosely spun nylon thread, be sure to install the spool cushion.

If the thread spool cap is not fully pushed down, the thread may become entangled on the spool pin or the needle may bend or break.

### Spool mat

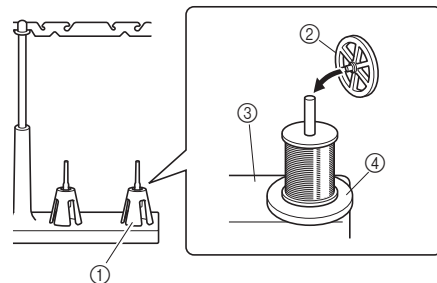
When using thread spools or loosely spun thread that easily slips off the spool, place this mat under the spool.

This prevents the thread from becoming entangled on the spool pin.



### Using the spool mat

1. Remove the spool cushion, and then place the spool mat on the spool pin.
2. Place the thread spool (with the spool notch at the bottom) on the spool pin, and then place the thread spool cap on top and fully push it down.



- ① Spool cushion
- ② Thread spool cap
- ③ Spool support
- ④ Spool mat

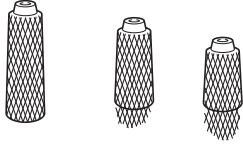
## CAUTION

If the thread spool cap is not fully pushed down against the thread spool, the thread may become entangled on the spool pin or the needle may bend or break.

## Using the thread net

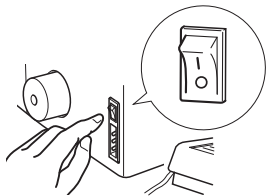
If you are sewing with loosely spun nylon thread, we recommend that you cover the spool with the included net in order to prevent the thread from slipping off the spool.

Adapt the net to the shape of the spool.

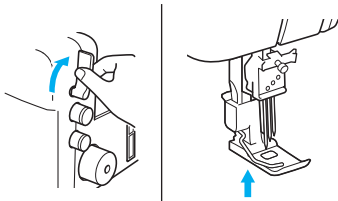


## Before threading

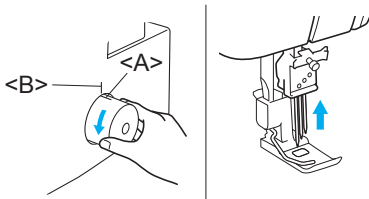
1. Turn off the main power and light switch for safety.



2. Raise the presser foot using the presser foot lever.



3. Turn the handwheel so that the line on the handwheel <A> is aligned with the line <B> on the machine. (See “Turning direction of handwheel” in CHAPTER 1.)



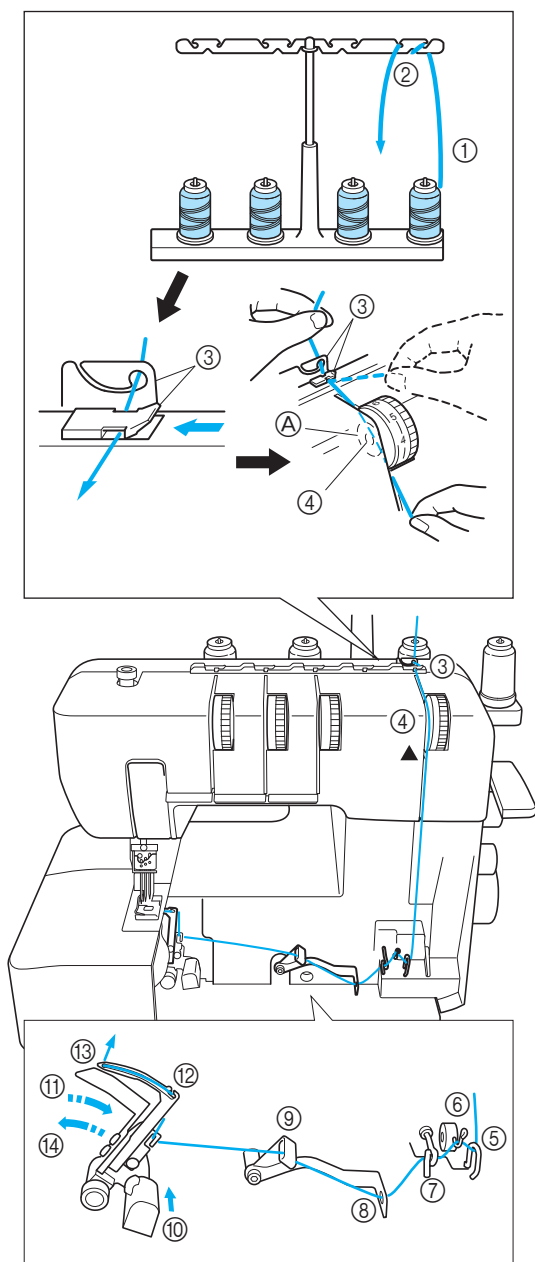
# CHAPTER 3 THREADING (Cover stitch model)

## ⚠ CAUTION

Before threading, turn off the machine for safety.

### Threading the looper

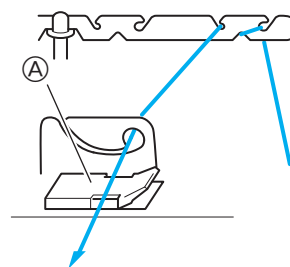
Run the thread in the sequence illustrated, following the blue line and the numbers next to each threading point.



1. Open the front cover by sliding it to the right and guiding the top toward you.
2. Pull the thread off the spool and directly up through thread holder ① and thread holder ② on the thread tree, from back to front.
3. Pass the looper thread ③ as shown in the illustration.
4. Pass the thread through the tension disc ④ in the channel next to the tension dial marked with a blue ▲.
5. Guide the thread down the channel and through threading points ⑤-⑨, following the numerical order in the illustration.
6. After running the thread to ⑨, push the looper release lever ⑩ to move the looper to the right ⑪, and then run the thread through ⑫-⑬.
7. Pull about 10 cm (4 inch) of thread through the eye of the looper.
8. While pushing the looper ⑭, return the looper to its original position.
9. Close the front cover.

#### NOTE:

When using thick thread, such as decorative thread, as the looper thread, run the thread as shown in the illustration.



Do not run the thread through ①.

## Threading the needles

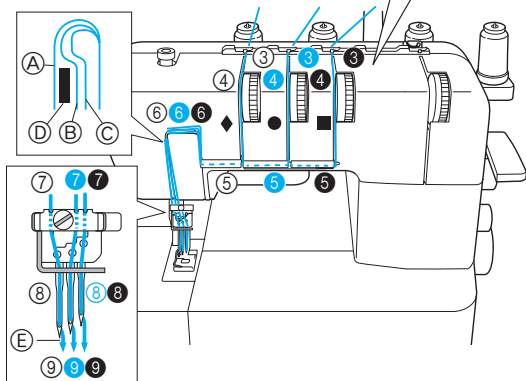
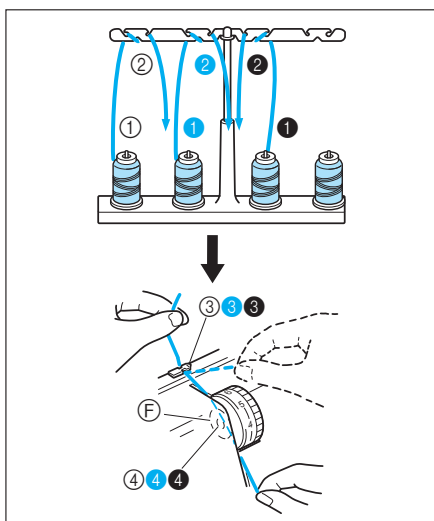
### ■ Needle threads used by the various stitches

The triple cover stitch (three-needle, four-thread cover stitch) uses the left needle thread, center needle thread and right needle thread.

The two-needle, three-thread cover stitch (Wide) (6 mm (15/64 inch)) uses the left needle thread and right needle thread.

The two-needle, three-thread cover stitch (Narrow) (3 mm (1/8 inch)) uses the center needle thread and right needle thread.

The chain stitch uses the center needle thread and looper thread.



- (A) To left needle
- (B) To center needle
- (C) To right needle
- (D) Branching plate
- (E) Pull about 6 cm (about 2-1/2 inches) of thread through the eye of the needle.
- (9) (9) (9) Front to back

### Threading the left needle

Run the thread in the sequence illustrated, following the yellow numbers and ◆ marks next to the threading points. (1-9)

### Threading the center needle

Run the thread in the sequence illustrated, following the green numbers and ● marks next to the threading points. (1-9)

### Threading the right needle

Run the thread in the sequence illustrated, following the pink numbers and ■ marks next to the threading points. (1-9)

## ! CAUTION

When threading the needles, always thread in the following order: left needle, center needle and right needle.

1. Pull the thread off the spool and directly up through thread holder ① ① ① and thread holder ② ② ② on the thread tree, from back to front.
2. Pass each thread through ③ ③ ③, shown in the illustration.
3. Pass the thread through the tension disc ④ ④ ④ in the channel next to the tension dial.
4. Guide the thread down the channel and across through threading points ⑤ ⑤ ⑤-⑧ ⑧ ⑧ next to the color marks, following the numerical order in the illustration.
5. Pass the thread through the eye of the needle, front to back.



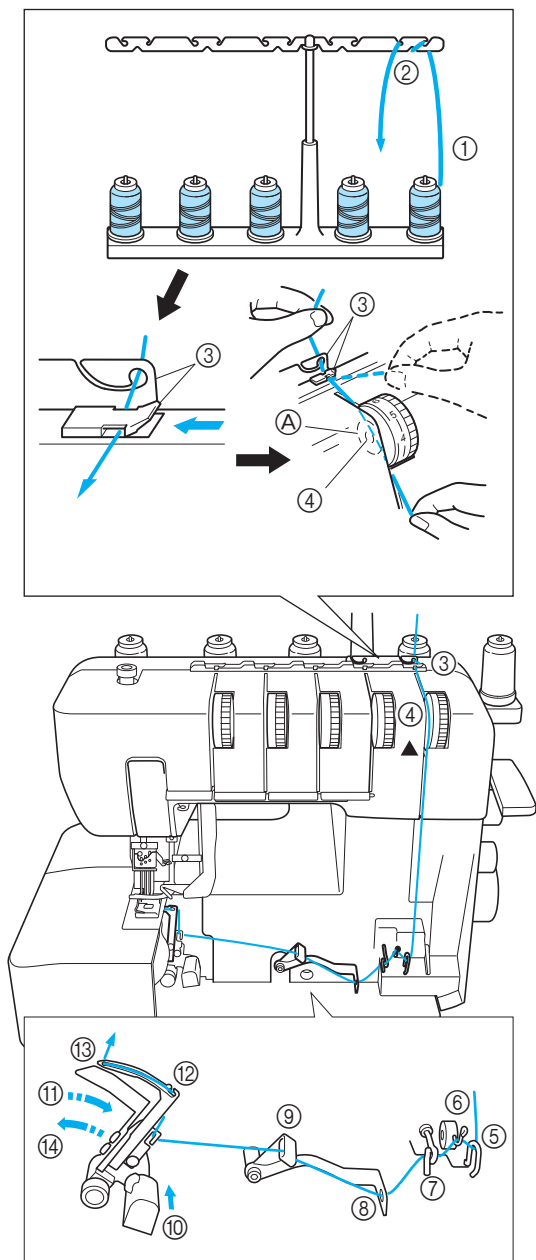
# CHAPTER 4 THREADING (Top cover stitch model)

## ⚠ CAUTION

Before threading, turn off the machine for safety.

### Threading the looper

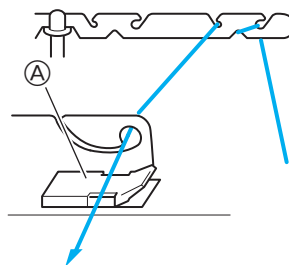
Run the thread in the sequence illustrated, following the blue line and the numbers next to each threading point.



1. Open the front cover by sliding it to the right and guiding the top toward you.
2. Pull the thread off the spool and directly up through thread holder ① and thread holder ② on the thread tree, from back to front.
3. Pass the looper thread ③ as shown in the illustration.
4. Pass the thread through the tension disc ④ in the channel next to the tension dial marked with a blue ▲.
5. Guide the thread down the channel and through threading points ⑤-⑨, following the numerical order in the illustration.
6. After running the thread to ⑨, push the looper release lever ⑩ to move the looper to the right ⑪, and then run the thread through ⑫-⑬.
7. Pull about 10 cm (4 inch) of thread through the eye of the looper.
8. While pushing the looper ⑭, return the looper to its original position.
9. Close the front cover.

#### NOTE:

When using thick thread, such as decorative thread, as the looper thread, run the thread as shown in the illustration.



Do not run the thread through ①.

## Threading the needles

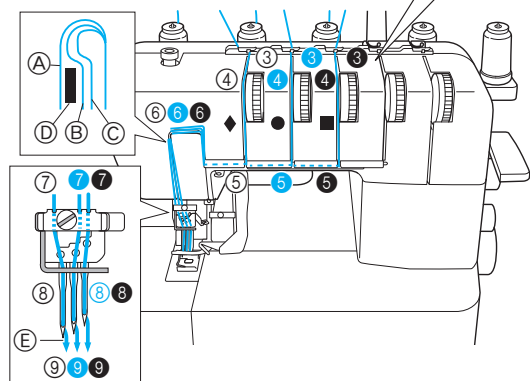
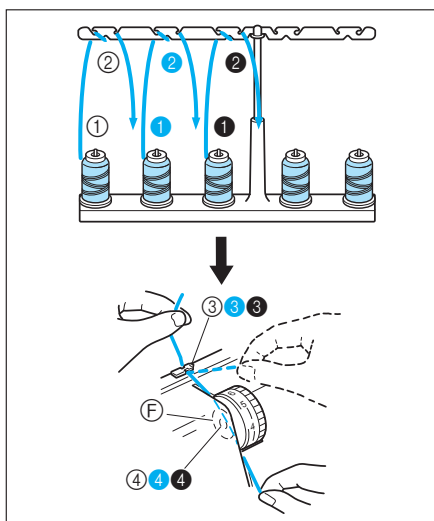
### ■ Needle threads used by the various stitches

The triple cover stitch (three-needle, four-thread cover stitch) uses the left needle thread, center needle thread and right needle thread.

The two-needle, three-thread cover stitch (Wide) (6 mm (15/64 inch)) uses the left needle thread and right needle thread.

The two-needle, three-thread cover stitch (Narrow) (3 mm (1/8 inch)) uses the center needle thread and right needle thread.

The chain stitch uses the center needle thread and looper thread.



- (A) To left needle
- (B) To center needle
- (C) To right needle
- (D) Branching plate
- (E) Pull about 6 cm (about 2-1/2 inches) of thread through the eye of the needle.
- (9-9-9) Front to back

### Threading the left needle

Run the thread in the sequence illustrated, following the yellow numbers and ◆ marks next to the threading points. (1-9)

### Threading the center needle

Run the thread in the sequence illustrated, following the green numbers and ● marks next to the threading points. (1-9)

### Threading the right needle

Run the thread in the sequence illustrated, following the pink numbers and ■ marks next to the threading points. (1-9)

## ! CAUTION

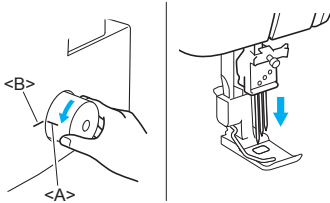
When threading the needles, always thread in the following order: left needle, center needle and right needle.

1. Pull the thread off the spool and directly up through thread holder ①①① and thread holder ②②② on the thread tree, from back to front.
2. Pass each thread through ③③③, shown in the illustration.
3. Pass the thread through the tension disc ④④④ in the channel next to the tension dial.
4. Guide the thread down the channel and across through threading points ⑤⑤⑤-⑧⑧⑧ next to the color marks, following the numerical order in the illustration.
5. Pass the thread through the eye of the needle, front to back.

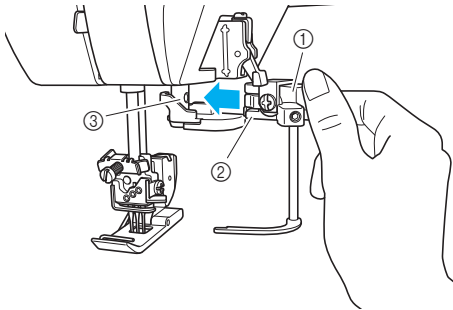
## Attaching/Removing the top cover spreader and top cover thread guide

### ■ Attaching the top cover spreader and top cover thread guide

1. Turn the handwheel so that the line on the handwheel <A> is aligned with the line <B> on the machine.

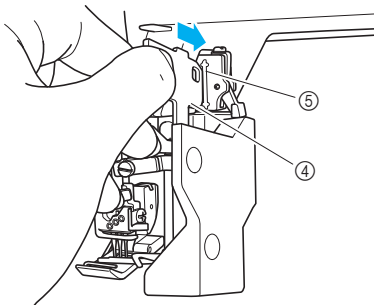


2. Squeeze the grip of the top cover spreader to spread the tips, and then, from the right side, clamp the mount of the top cover spreader onto the top cover drive shaft.



- ① Grip of top cover spreader
- ② Mount of top cover spreader
- ③ Top cover drive shaft

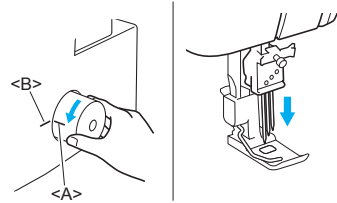
3. Insert the top cover thread guide into the slot in the top cover thread guide mount.



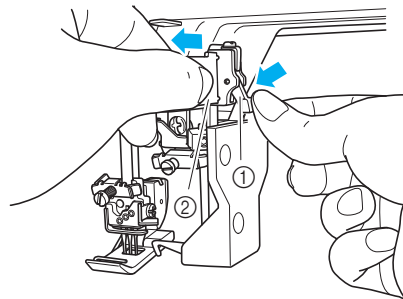
- ④ Top cover thread guide
- ⑤ Slot

### ■ Removing the top cover spreader and top cover thread guide

1. Turn the handwheel so that the line on the handwheel is aligned with the line on the machine.

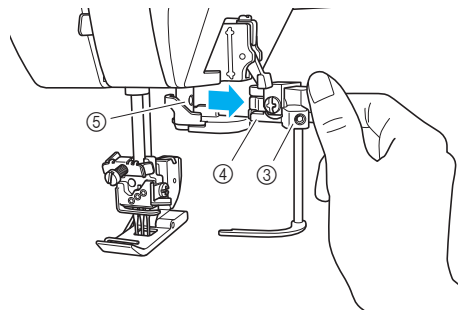


2. Press the lever on the top cover thread guide mount, and then remove the top cover thread guide.



- ① Lever
- ② Top cover thread guide

3. Squeeze the grip of the top cover spreader to spread the tips, and then remove the mount of the top cover spreader from the top cover drive shaft.



- ③ Grip of top cover spreader
- ④ Mount of top cover spreader
- ⑤ Top cover drive shaft

## Threading the top cover spreader

### NOTE:

Thread the top cover thread after first sewing a cover stitch seam.

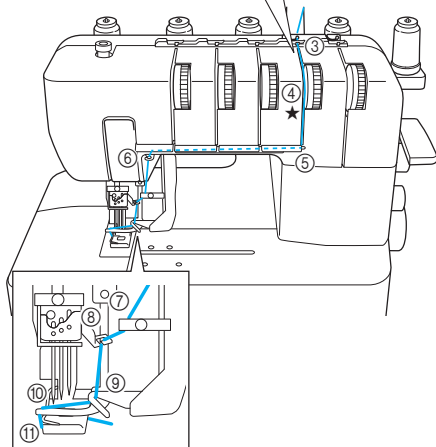
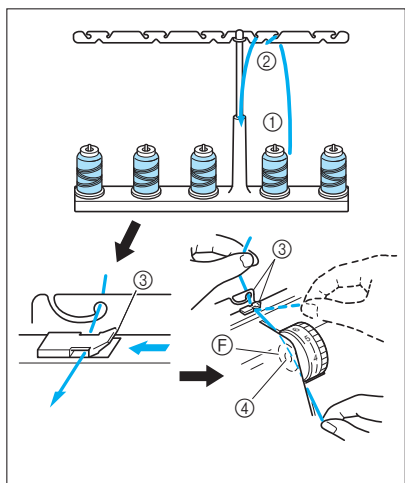
### ■ Needle threads used by the various stitches

The triple top cover stitch (three-needle, five-thread) uses the left needle thread, center needle thread and right needle thread.

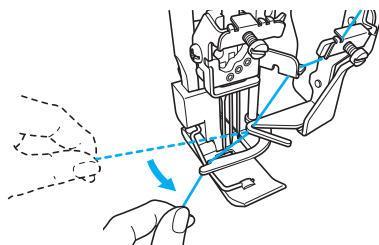
The top cover two-needle, three-thread cover stitch (Wide) (6 mm (15/64 inch)) uses the left needle thread and right needle thread.

The top cover two-needle, three-thread cover stitch (Narrow) (3 mm (1/8 inch)) uses the center needle thread and right needle thread.

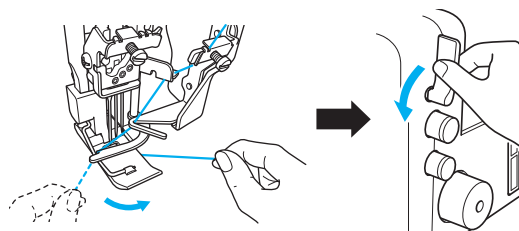
Run the thread in the sequence illustrated, following the purple color and the numbers next to each threading point.



1. Pull the thread off the spool and directly up through thread holder ① and thread holder ② on the thread tree, from back to front.
2. Pass each thread through ③, shown in the illustration.
3. Pass the thread through the tension disc ④ in the channel next to the tension dial marked with a purple ★.
4. Guide the thread down the channel and across through threading points ⑤-⑨ next to the color marks, following the numerical order in the illustration.
5. Turn the handwheel counterclockwise to move the point of the top cover spreader completely to the left.
6. Thread the point of the top cover spreader as shown in the illustration ⑩.



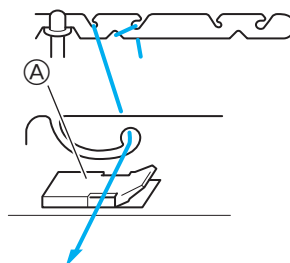
7. Pass the top cover thread under the presser foot, from left to right, as shown in the illustration ⑪, and then lower the presser foot.



8. Turn the handwheel counterclockwise 2 to 3 times to check that the top cover thread forms stitches.

### NOTE:

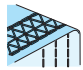
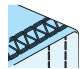
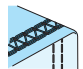
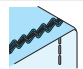
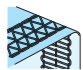
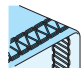
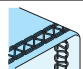
When using thick thread, such as decorative thread, as the top cover thread, run the thread as shown in the illustration.



Do not run the thread through (A).

# CHAPTER 5

## TYPE OF STITCHES COMPARISON CHART

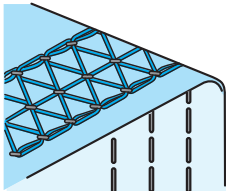

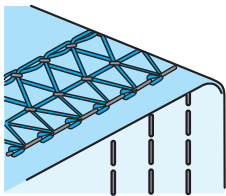
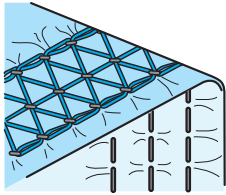
Type of stitch	Number of needles	Number of threads	Thread tension dial					Stitch	Model	
			Left needle	Center needle	Right needle	Top cover thread*	Looper thread		Cover stitch	Top cover stitch
Triple cover stitch	3	4	2-5	2-5	2-5	/	2-5		✓	✓
Cover stitch (Wide)	2	3	3-5	-	3-5	/	2-5		✓	✓
Cover stitch (Narrow)	2	3	-	3-5	3-5	/	2-5		✓	✓
Chain stitch	1	2	-	2-5	-	/	2-5		✓	✓
Triple top cover stitch	3	5	3-5	3-5	3-5	3-5	3-5		/	✓
Top cover stitch (Wide)	2	4	3-5	-	3-5	3-5	3-5		/	✓
Top cover stitch (Narrow)	2	4	-	3-5	3-5	3-5	3-5		/	✓

\* Top cover stitch model only.

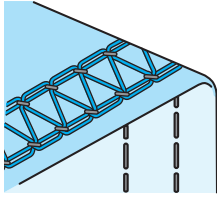
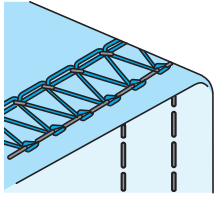
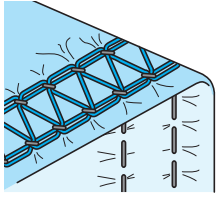
**NOTE:**

The thread tension dial settings listed above are based on a stitch length of 3 and a differential feed ratio of 1.0. Since the settings may differ depending on the types of fabric and thread used, be sure to check the thread tension.

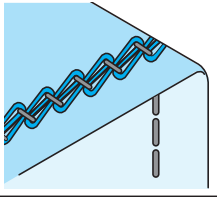
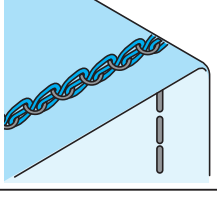
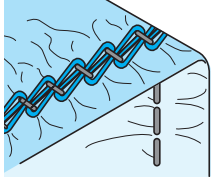
■ **Triple cover stitch**

	 <p>Stitching direction</p>	<p><b>Balanced tension</b></p> <p>The needle thread sews a straight seam on the surface of the fabric, and the looper thread forms loops on the back.</p>
		<p><b>Needle thread is too loose.</b></p> <p>Turn the needle thread tension dial to a higher number to increase the tension, or turn the looper thread tension dial to a lower number to decrease the tension.</p>
		<p><b>Needle thread is too tight.</b></p> <p>Turn the needle thread tension dial to a lower number to decrease the tension, or turn the looper thread tension dial to a higher number to increase the tension.</p>

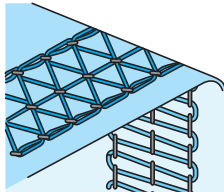
## ■ Cover stitch (Wide/Narrow)

 <p>Stitching direction</p>	<p><b>Balanced tension</b></p> <p>The needle thread sews a straight seam on the surface of the fabric, and the looper thread forms loops on the back.</p>
	<p><b>Needle thread is too loose.</b></p> <p>Turn the needle thread tension dial to a higher number to increase the tension, or turn the looper thread tension dial to a lower number to decrease the tension.</p>
	<p><b>Needle thread is too tight.</b></p> <p>Turn the needle thread tension dial to a lower number to decrease the tension, or turn the looper thread tension dial to a higher number to increase the tension.</p>

## ■ Chain stitch

 <p>Stitching direction</p>	<p><b>Balanced tension</b></p> <p>The needle thread sews a straight seam on the surface of the fabric, and the looper thread forms loops on the back.</p>
	<p><b>Needle thread is too loose.</b></p> <p>Turn the needle thread tension dial to a higher number to increase the tension, or turn the looper thread tension dial to a lower number to decrease the tension.</p>
	<p><b>Needle thread is too tight.</b></p> <p>Turn the needle thread tension dial to a lower number to decrease the tension, or turn the looper thread tension dial to a higher number to increase the tension.</p>

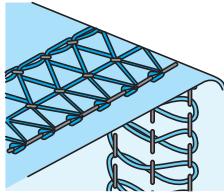
## ■ Triple top cover stitch



↑  
Stitching direction

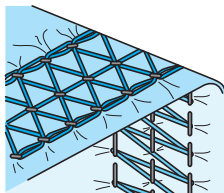
### Balanced tension

The top cover thread sews a straight seam on the surface of the fabric, and the looper thread forms loops on the back.



### Top cover thread is too loose.

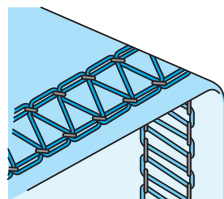
Turn the top cover thread tension dial to a higher number to increase the tension, or turn the needle thread tension dial to a lower number to reduce the tension.



### Top cover thread is too tight.

Turn the top cover thread tension dial to a lower number to decrease the tension, or turn the needle thread tension dial to a higher number to increase the tension.

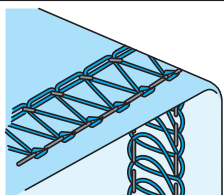
## ■ Top cover stitch (Wide/Narrow)



↑  
Stitching direction

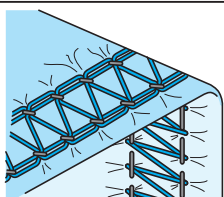
### Balanced tension

The top cover thread sews a straight seam on the surface of the fabric, and the looper thread forms loops on the back.



### Top cover thread is too loose.

Turn the top cover thread tension dial to a higher number to increase the tension, or turn the needle thread tension dial to a lower number to reduce the tension.



### Top cover thread is too tight.

Turn the top cover thread tension dial to a lower number to decrease the tension, or turn the needle thread tension dial to a higher number to increase the tension.



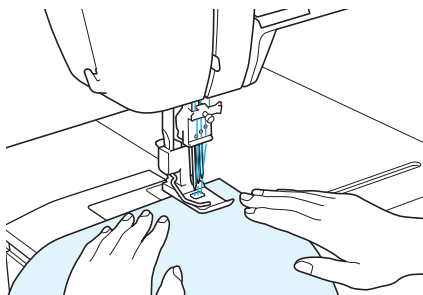
# CHAPTER 6 SEWING

## ⚠ CAUTION

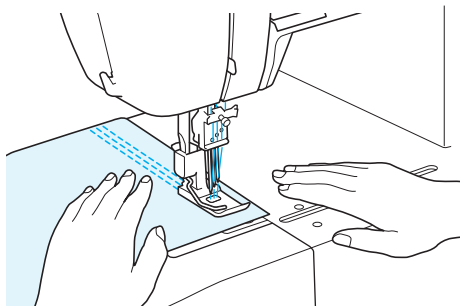
While the machine is in operation, pay special attention to the needle location. In addition, keep your hands away from all moving parts such as the needle and handwheel, otherwise injuries may occur.

### Sewing flat fabric (for example, trial sewing)

1. Raise the presser foot, and then place the fabric at the needle drop position.

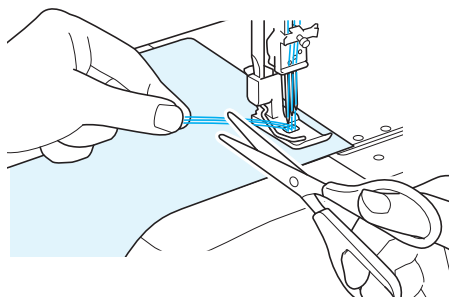


2. Lower the presser foot, turn the handwheel toward you a few times by hand, and then lightly step on the foot controller to start sewing.



#### NOTE:

When starting to sew or after changing the thread, in order for the needle thread to be on top of the presser foot, sew with it positioned under the presser foot when you begin sewing. If necessary, turn the handwheel toward you a few times by hand, and then cut the thread as shown in the illustration.



#### NOTE:

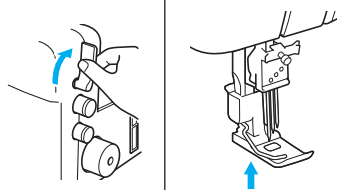
When sewing stretch fabrics, adjust the differential feed and check that the desired finish is achieved.

### Removing the fabric from the machine (Cover stitch model)

1. By hand, turn the handwheel toward you until the needle is at its highest position.



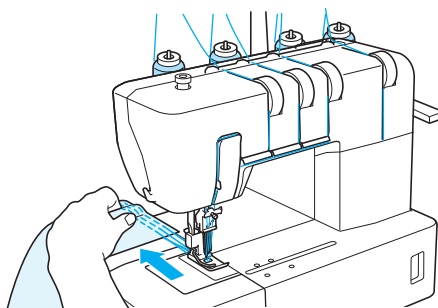
2. Raise the presser foot.



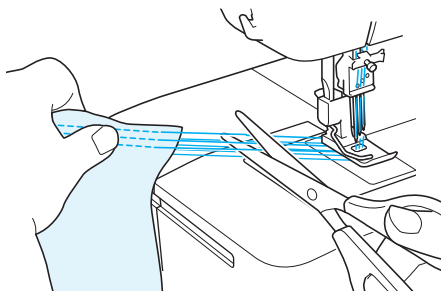
3. Slowly pull the fabric in the direction of the arrow.

#### NOTE:

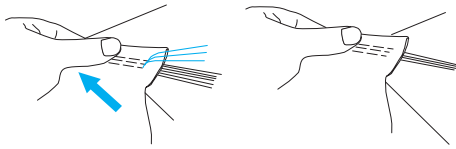
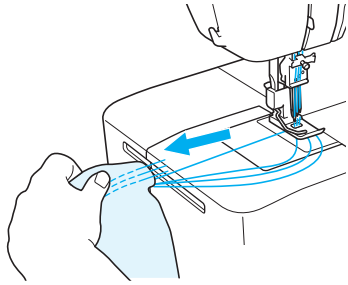
Be sure to pull the fabric to the back.



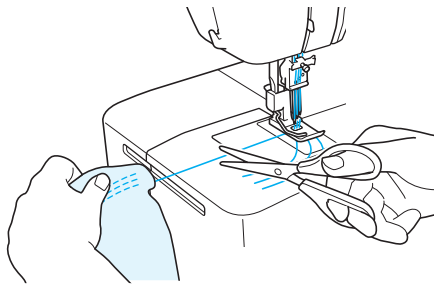
4. Cut the needle threads, which come out from the surface of the fabric.



5. Slowly pull the fabric in the direction of the arrow so that the ends of the needle threads are pulled to the back of fabric.



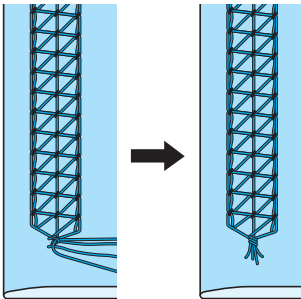
6. Cut the looper thread.



**NOTE:**

We recommend using scissors to cut the looper thread. Scissors can also be used to cut the machine threads.

7. Pull all threads at the back of the fabric. Tie all threads together and cut.

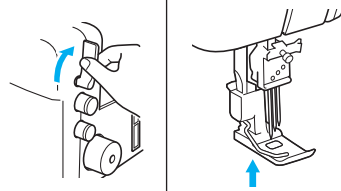


## Removing the fabric from the machine (Top cover stitch model)

1. By hand, turn the handwheel toward you until the needle is at its highest position.



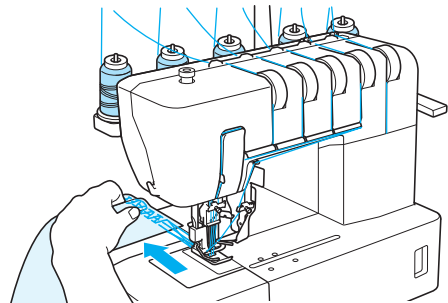
2. Raise the presser foot.



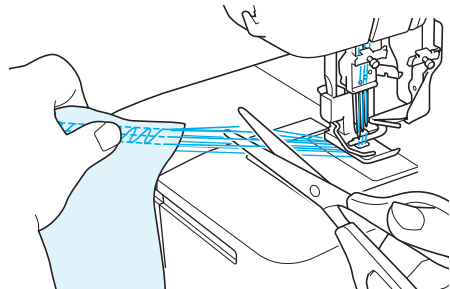
3. Slowly pull the fabric in the direction of the arrow.

**NOTE:**

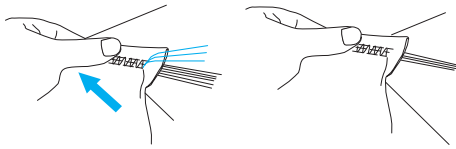
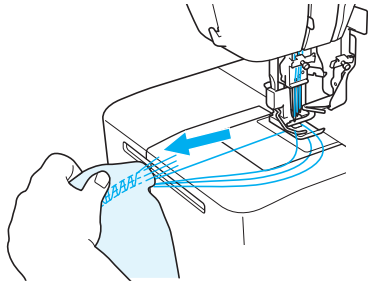
Be sure to pull the fabric to the back.



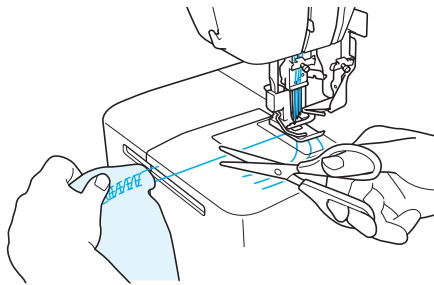
4. Cut the needle threads, which come out from the surface of the fabric.



5. Slowly pull the fabric in the direction of the arrow so that the ends of the needle threads are pulled to the back of fabric.



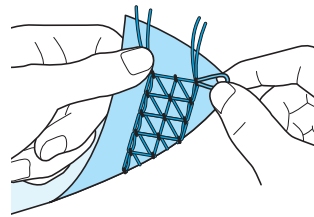
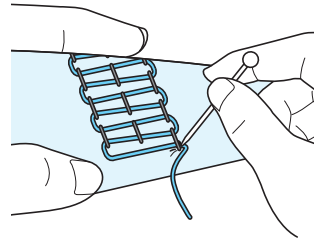
6. Cut the looper thread.



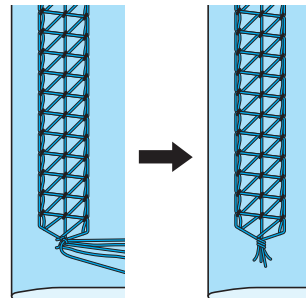
**NOTE:**

*We recommend using scissors to cut the looper thread. Scissors can also be used to cut the machine threads.*

7. Use a pointed object, such as a needle, to push in the top cover thread from the surface of the fabric, and then pull the thread at the back of the fabric.

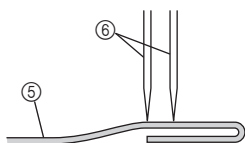
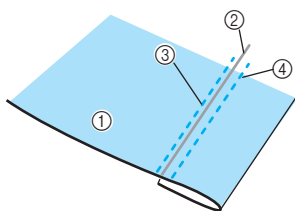


8. Pull all threads at the back of the fabric. Tie all threads together and cut.



## Sewing a cover stitch

1. Determine how much of the fabric will be folded up.
2. Fold up the fabric the desired amount, and then iron it in place.
3. Use a ruler to measure, and then use a fabric marker to mark the top of the fabric to sew where the edge of the folded fabric is positioned.
4. Place the bottom of the presser foot onto the top of fabric, and then check that the drawn mark is just barely to the right of the left needle.
5. Sew exactly on the mark.
6. After sewing is finished, refer to "Removing the fabric from the machine (Cover stitch model)" on page 24 for details on taking care of the threads.

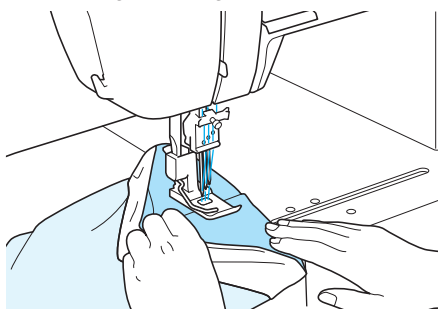


- ① Fabric (surface)
- ② Mark drawn with fabric marker
- ③ Left needle (just barely on the left side of the mark)
- ④ Right needle
- ⑤ Fabric
- ⑥ Needle

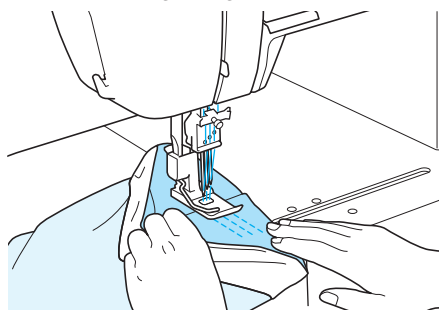
## Sewing tubular garments (for example, cuffs)

### ■ Without free-arm sewing

1. Raise the presser foot, insert the fabric as shown in the illustration, lower the presser foot, and then begin sewing.



2. Finish sewing by overlapping about 4 cm (1-1/2 inch) of the beginning and end of the stitching.



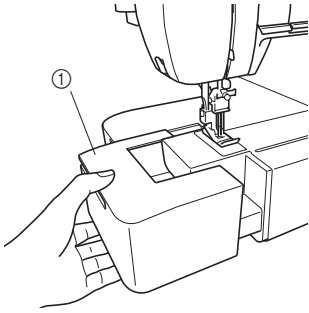
### NOTE:

When sewing tubular garments, overlapping the beginning and end of the stitching by about 4 cm (1-1/2 inch) will prevent the seam from tearing.

3. Remove the fabric as explained in "Removing the fabric from the machine (Cover stitch model)" and "Removing the fabric from the machine (Top cover stitch model)" on pages 24 and 25.

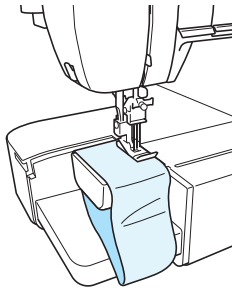
## ■ With free-arm sewing

1. Remove the bed extension.



① Bed extension

2. Position the fabric, and start sewing.  
(See CHAPTER 5.)



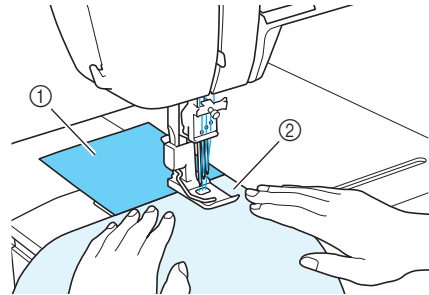
- (1) Raise the presser foot, insert the fabric as shown in the illustration, lower the presser foot, and then begin sewing.
- (2) Finish sewing by overlapping about 4 cm (1-1/2 inch) of the beginning and end of the stitching.

## Stabilizing the beginning and end of stitching

To sew with the beginning and end of stitching stabilized, finish the beginning and end of stitching with a 4-cm-square piece of scrap fabric as described below.

### ■ Beginning of stitching

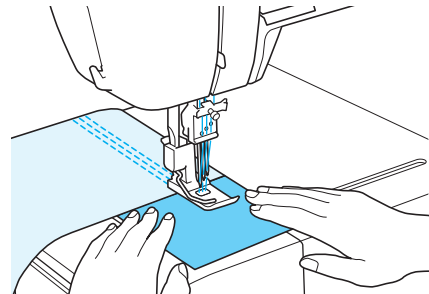
1. Raise the presser foot, and then insert the scrap fabric. Lower the presser foot, turn the handwheel toward you a few times by hand, and then lightly step on the foot controller to start sewing.
2. When nearing the end of stitching for the scrap fabric, stop the machine. Insert the fabric as shown in the illustration below, and then lightly step on the foot controller to start sewing.



① Scrap fabric  
② Fabric

### ■ End of stitching

1. When nearing the end of stitching for the fabric, stop sewing. Insert the scrap fabric as shown in the illustration below, and then finish sewing.
2. Sew into the scrap fabric, stop the machine, and then use scissors to cut the threads between the fabrics and scrap fabrics.



# CHAPTER 7

## TROUBLESHOOTING

This sewing machine is designed for trouble-free operation. However, the following chart indicates trouble which may occur if basic adjustments are not made properly.

Trouble	Cause	Remedy
1. Does not feed	Presser foot pressure too loose	Turn the pressure adjustment screw clockwise to increase the presser foot pressure. (See page 11.)
2. Needles break	1. Needles bent, or needle tip blunt	Replace with new needle. (See page 12.)
	2. Needles incorrectly installed	Install needles correctly. (See page 12.)
	3. Material pulled forcibly	Do not press or pull material too hard when sewing.
3. Threads break	1. Improper threading	Thread correctly. (See pages 15-18, 20.)
	2. Thread tangled	Check spool pin, thread holders, etc., and remove tangled thread.
	3. Thread tension too tight	Adjust the thread tension. (See pages 11.)
	4. Needles incorrectly installed	Install needles correctly. (See page 12.)
	5. Wrong needle used	Use correct needle. 130/705H recommended (See page 12.)
4. Skipped stitches	1. Needle bent, or needle tip blunt	Replace with new needle. (See page 12.)
	2. Needle incorrectly installed	Install needle correctly. (See page 12.)
	3. Wrong needle used	Use correct needle. 130/705H recommended (See page 12.)
	4. Improper threading	Thread correctly. (See pages 15-18, 20.)
	5. Presser foot pressure too loose	Turn the pressure adjustment screw clockwise to increase the presser foot pressure. (See page 11.)
5. Stitches not uniform	Thread tensions not adjusted properly	Adjust the thread tension. (See pages 11.)
6. Fabric puckers	1. Thread tension too tight	Decrease thread tension when sewing lightweight or fine material. (See pages 11.)
	2. Improper threading or thread tangled	Thread correctly. (See pages 15-18, 20.)

# CHAPTER 8 MAINTENANCE

## Cleaning

### **⚠ CAUTION**

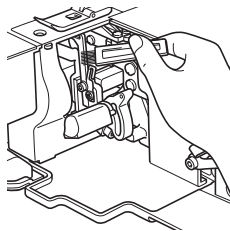
---

Turn off the machine before cleaning.

Turn the handwheel and move the needles down.

---

Periodically clean out dust, trimmed fabric and thread with the included cleaning brush.





# SPECIFICATIONS

## ■ Cover stitch model

Use	Fine to heavy materials
Sewing speed	Maximum 1,000 stitches per minute
Stitch width	6 mm / 3 mm
Stitch length (pitch)	2 mm to 4 mm (5/64 to 5/32 inch)
Needle bar stroke	29 mm (1 1/8 inches)
Presser foot	Free presser type
Presser foot lift	5 mm to 6 mm (3/16 to 15/64 inch)
Needle	SCHMETZ 130/705H (90/#14)
Number of needles and threads	Convertible to two/three/four threads
	Convertible to one/two/three needles
Stitches	One-needle, two-thread double chain stitch
	Two-needle, three-thread cover stitch (Wide) (6 mm (15/64inch))
	Two-needle, three-thread cover stitch (Narrow) (3 mm (1/8inch))
	Three-needle, four-thread triple cover stitch (6 mm (15/64inch))
Machine net weight	7.6 kg
Machine dimensions	396 mm (W) × 297 mm (D) × 358 mm (H) (Approx. 16 (W) × 12 (D) × 14 (H) inches)
Needle set 130/705H	

## ■ Top cover stitch model

Use	Fine to heavy materials
Sewing speed	Maximum 1,000 stitches per minute
Stitch width	6 mm / 3 mm
Stitch length (pitch)	2 mm to 4 mm (5/64 to 5/32 inch)
Needle bar stroke	29 mm (1 1/8 inches)
Presser foot	Free presser type
Presser foot lift	5 mm to 6 mm (3/16 to 15/64 inch)
Needle	SCHMETZ 130/705H (90/#14)
Number of needles and threads	Convertible to two/three/four/five threads
	Convertible to one/two/three needles
Stitches	One-needle, two-thread double chain stitch
	Two-needle, three-thread cover stitch (Wide) (6 mm (15/64inch))
	Two-needle, three-thread cover stitch (Narrow) (3 mm (1/8inch))
	Three-needle, four-thread triple cover stitch (6 mm (15/64inch))
	Two-needle, four-thread top cover stitch (Wide) (6 mm (15/64inch))
	Two-needle, four-thread top cover stitch (Narrow) (3 mm (1/8inch))
	Three-needle, five-thread triple top cover stitch (6 mm (15/64inch))
Machine net weight	7.6 kg
Machine dimensions	396 mm (W) × 297 mm (D) × 358 mm (H) (Approx. 16 (W) × 12 (D) × 14 (H) inches)
Needle set 130/705H	

# INSTRUCCIONES DE SEGURIDAD IMPORTANTES

Cuando utilice la máquina de coser, deben seguirse algunas precauciones básicas de seguridad, como las siguientes. Lea todas las instrucciones antes de utilizar la máquina.

## ⚠ PELIGRO

### Para reducir el riesgo de descarga eléctrica.

La máquina de coser nunca debe dejarse desatendida mientras esté enchufada. Desconéctela de la toma de corriente inmediatamente después de su uso y antes de proceder a su limpieza.

## ⚠ AVISO

### Para reducir el riesgo de quemaduras, incendio, descarga eléctrica o lesiones.

1. No debe utilizarse como si fuera un juguete. Deberá prestar especial atención cuando la máquina de coser se utilice cerca de niños o sea utilizada por ellos.
2. Utilice esta máquina de coser solo para los fines descritos en este manual. Utilice solo los accesorios recomendados por el fabricante indicados en este manual.
3. Nunca utilice esta máquina de coser si el cable o el enchufe están dañados, si no funciona correctamente, si se ha caído o ha sufrido averías, o si se ha caído al agua. Lleve la máquina de coser al distribuidor o centro de reparaciones autorizado más cercano para su examen, reparación y realización de los ajustes eléctricos o mecánicos necesarios.
4. Nunca utilice la máquina de coser si las aberturas de ventilación están bloqueadas. Mantenga las aberturas de ventilación de la máquina de coser y el pedal libres de pelusa, polvo y trocitos de tela.
5. Nunca deje que caigan objetos en ninguna de las aberturas, ni inserte nada en las mismas.
6. No la utilice al aire libre.
7. No la use en lugares donde se utilicen productos con aerosoles (atomizadores), ni en sitios donde se esté administrando oxígeno.
8. Para desconectar, coloque el interruptor principal en la posición con el símbolo "O" que indica apagado y, a continuación, desconecte el enchufe de la toma de corriente.
9. No la desenchufe tirando del cable. Para desenchufar, sujete el enchufe, no el cable.
10. Mantenga los dedos alejados de todas las piezas en movimiento. Debe tenerse un cuidado especial con el espacio que rodea a la aguja de la máquina de coser.
11. Utilice siempre la placa de la aguja correcta. Si utiliza una placa que no sea la adecuada, la aguja podría romperse.
12. No utilice agujas dobladas.
13. No tire de la tela ni la empuje cuando esté cosiendo. Podría doblar la aguja y romperla.
14. Cuando vaya a hacer algún ajuste en la zona de la aguja, como enhebrarla, cambiarla, cambiar el prensatelas, etc., coloque la máquina de coser en la posición con el símbolo "O".
15. Desenchufe siempre la máquina de coser de la toma de corriente cuando vaya a quitar alguna tapa, lubricar, o cuando vaya a realizar cualquier otro ajuste de mantenimiento indicado en el manual de instrucciones.
16. Peligro de descarga eléctrica:
  - Esta máquina debe conectarse a una fuente de alimentación de CA dentro del rango indicado en la etiqueta de tensión nominal. No la conecte a una fuente de alimentación de CC ni a un inversor. Si no está seguro del tipo de fuente de alimentación del que dispone, póngase en contacto con un electricista cualificado.
  - Este equipo puede utilizarse solamente en el país donde se haya adquirido.

17. Esta máquina de coser no ha sido diseñada para ser utilizada por niños ni por personas enfermas sin la supervisión de un adulto.
18. Los niños pequeños deberán ser vigilados para asegurarse de que no juegan con esta máquina de coser.
19. No desmonte la máquina.
20. Si la unidad de la luz LED (diodo emisor de luz) está dañada, deberá cambiarla un distribuidor autorizado.

## ⚠ PRECAUCIÓN

### Para utilizar la máquina de forma segura

1. (Solo para EE.UU.)

Este aparato tiene un enchufe de dos clavijas (una más ancha que la otra). Para reducir el riesgo de descarga eléctrica, este enchufe está diseñado para que solo se pueda insertar de una manera en una toma polarizada. Si el enchufe no se ajusta perfectamente a la toma, pruebe a darle la vuelta. Si sigue sin encajar, póngase en contacto con un electricista cualificado para que le instale una toma adecuada. No modifique el enchufe de ninguna manera.
2. Observe siempre las agujas atentamente mientras está cosiendo. No toque la ruedecilla, las agujas, las cuchillas ni otras piezas móviles.
3. Desactive la máquina y desenchufe el cable en estas circunstancias:
  - Cuando no utilice la máquina
  - Cuando deba sustituir o retirar la aguja u otras piezas
  - Si se produce un corte de corriente mientras está utilizando la máquina
  - Si está reparando o limpiando la máquina
  - Si deja la máquina desatendida
4. No deje ningún objeto encima del pedal.
5. Enchufe la máquina directamente a la toma de corriente de la pared. No utilice alargadores.
6. Si ha caído agua encima de la máquina, desconéctela inmediatamente y póngase en contacto con su distribuidor local autorizado.
7. No coloque muebles encima del cable.
8. No doble el cable, ni tire de él para desenchufarlo.
9. No toque el cable con las manos húmedas.
10. Coloque la máquina cerca de la toma de corriente.
11. No coloque la máquina sobre una superficie inestable.
12. No se ponga la funda.
13. Si observa cualquier sonido o circunstancia anómalos, consulte a su distribuidor local autorizado.

### Para aumentar la vida útil de la máquina

1. No guarde la máquina bajo la luz solar directa ni en lugares excesivamente húmedos. No utilice ni guarde la máquina cerca de un calefactor, plancha, lámpara halógena u otros objetos calientes.
2. Utilice solamente detergentes o jabones neutros para limpiar la carcasa. Nunca utilice gasolina, disolvente ni polvos desengrasantes, ya que pueden dañar la carcasa y la máquina.
3. No deje caer ni golpee la máquina.
4. Consulte siempre este manual antes de sustituir o ajustar el prensatelas, la aguja o cualquier otra parte, para asegurarse de que las coloca correctamente.

### Para reparar o ajustar la máquina

Si la máquina se avería o necesita un ajuste, consulte en primer lugar la tabla de solución de problemas para inspeccionarla y ajustarla por su cuenta. Si el problema continúa, póngase en contacto con su distribuidor local autorizado.

# CONSERVE ESTAS INSTRUCCIONES

## Esta máquina ha sido diseñada para uso doméstico.

### PARA USUARIOS DE PAÍSES NO MIEMBROS DEL CENELEC

Este aparato no ha sido diseñado para ser utilizado por personas (niños incluidos) con alguna discapacidad física, sensorial o mental, ni por personas sin experiencia o conocimientos técnicos, a menos que hayan recibido supervisión o instrucciones relativas al uso del aparato por parte de una persona responsable de su seguridad. Los niños deberán ser vigilados para asegurarse de que no juegan con el aparato.

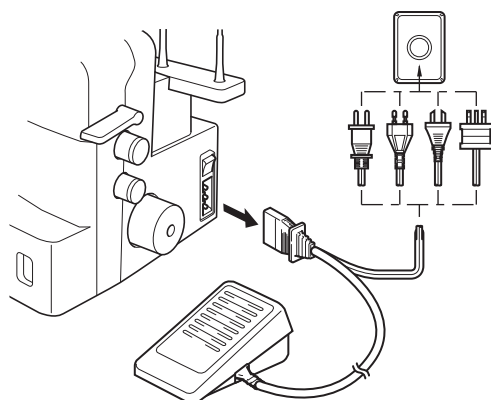
### PARA USUARIOS DE PAÍSES MIEMBROS DEL CENELEC

Este aparato puede ser utilizado por niños de a partir de 8 años de edad y por personas con capacidades físicas, sensoriales o mentales reducidas o que carezcan de la experiencia y los conocimientos siempre y cuando hayan recibido supervisión o instrucciones relativas al uso del aparato de modo seguro y comprendan los riesgos existentes. No permita que los niños jueguen con el aparato. La limpieza y el mantenimiento del usuario no deben ser realizados por niños sin supervisión.

## ⚠️ PRECAUCIÓN


Cuando deje esta máquina de coser desatendida, coloque el interruptor de alimentación principal y de luz en la posición de apagado o desconecte el enchufe de la toma de corriente.

Cuando deba reparar la máquina de coser, o cuando retire las tapas, la máquina o el conjunto eléctrico deben desconectarse de la alimentación retirando el enchufe de la toma de corriente.



## SÓLO PARA LOS USUARIOS DEL REINO UNIDO, IRLANDA, MALTA Y CHIPRE

### IMPORTANTE

- Si debe cambiar el fusible del enchufe, utilice un fusible homologado por ASTA para BS 1362, es decir, que lleve la marca  correspondiente a la marca en el enchufe.
- Vuelva a colocar siempre la tapa del fusible. No utilice nunca enchufes sin la tapa del fusible.
- Si la toma de corriente disponible no es adecuada para el enchufe suministrado con este equipo, deberá ponerse en contacto con un distribuidor Brother autorizado para obtener el cable correcto.

# FELICIDADES POR ELEGIR ESTA MÁQUINA OVERLOCK COMPACTA

Esta máquina es un producto fácil de usar y de alta calidad. Para disfrutar completamente de sus funciones, le sugerimos que lea bien este manual.

Si necesita más información acerca de cómo utilizar la máquina, su distribuidor autorizado más cercano estará encantado de atenderle.

¡Diviértase!

## **⚠PRECAUCIÓN**

---

Cuando enhebre o sustituya la aguja, coloque el interruptor de alimentación principal y de luz en la posición de apagado o desconecte el enchufe de la toma de corriente.

Cuando no utilice la máquina, es recomendable desconectar el enchufe de alimentación eléctrica de la toma de corriente para evitar posibles peligros.

---

## **Notas acerca del motor**

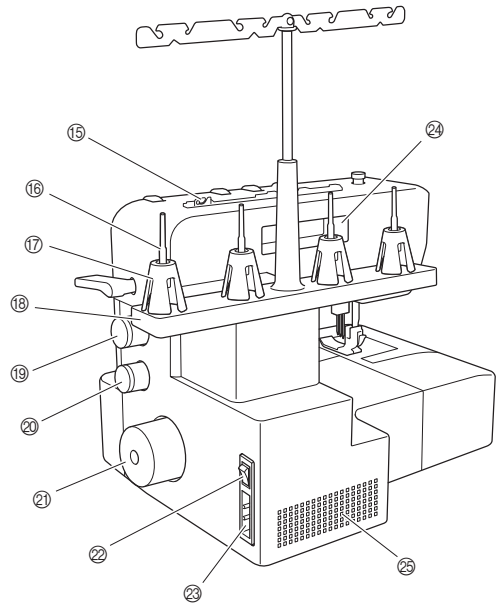
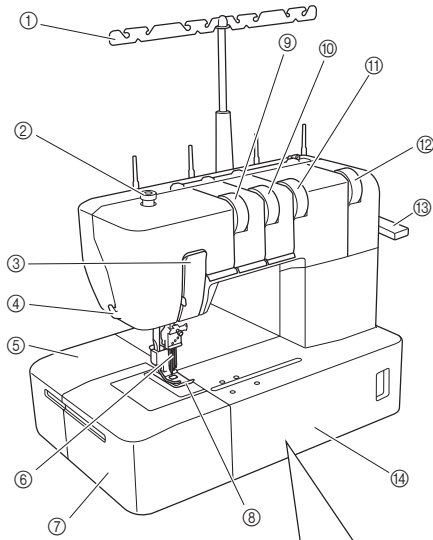
- La velocidad máxima de funcionamiento de esta máquina de coser es de 1.000 puntadas por minuto, bastante rápida si la comparamos con la velocidad habitual de estas máquinas, que oscilaría entre las 300 y las 800 puntadas por minuto.
- Los rodamientos del motor están fabricados con un material especial (una aleación impregnada de aceite montada en un fieltro con un tratamiento térmico de aceite) que les permite aguantar muchas horas de funcionamiento continuo.
- El funcionamiento continuo de la máquina de coser puede provocar una acumulación de calor en la zona del motor, pero no lo suficiente como para alterar su rendimiento.  
Es importante que los tejidos y los papeles no bloqueen las aberturas de ventilación de la parte posterior y laterales de la máquina, para que el aire pueda circular por dichas aberturas.
- Cuando el motor está en marcha, pueden verse chispas a través de las aberturas de ventilación en el soporte del motor, en el lado opuesto a la ruedecilla. Estas chispas las generan las escobillas de carbono y el colector, y son parte del funcionamiento normal de las máquinas.

# Contenido

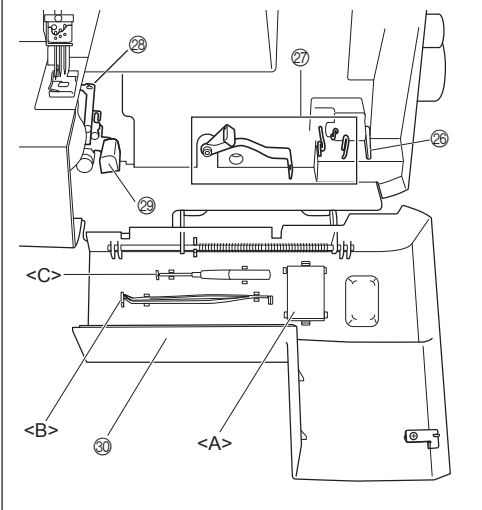
<b>Capítulo 1 : NOMBRES DE LAS PARTES Y SUS FUNCIONES.....</b>	<b>4</b>
Máquina (Recubridora) (Product Code (Código de producto): 884-B30) .....	4
Accesorios (Máquina recubridora).....	5
Máquina (Recubridora superior) (Product Code (Código de producto): 884-B31) .....	6
Accesorios (Máquina recubridora superior).....	7
Activar la máquina .....	8
Dirección de giro de la ruedecilla.....	8
Abrir/cerrar la tapa delantera .....	8
Colocar/Retirar un prensatelas .....	8
Costura de brazo libre (retirando el suplemento para la mesa).....	9
Palanca de ajuste de la tensión del hilo del Looper.....	9
Longitud de la puntada .....	10
Alimentación con diferencial .....	10
Ajustar la presión del prensatelas.....	11
Ajustar los discos de tensión .....	11
Aguja.....	12
Retirar/Colocar la aguja .....	12
<b>Capítulo 2 : PREPARACIÓN ANTES DE ENHEBRAR .....</b>	<b>13</b>
Árbol del hilo .....	13
Utilizar el tope del carrete .....	13
Amortiguador de carrete .....	13
Utilizar el amortiguador de carrete.....	13
Utilizar la malla para hilo.....	14
Antes de enhebrar .....	14
<b>Capítulo 3 : ENHEBRAR (Máquina recubridora).....</b>	<b>15</b>
Enhebrar el Looper .....	15
Enhebrar las agujas .....	16
<b>Capítulo 4 : ENHEBRAR (Máquina recubridora superior) .....</b>	<b>17</b>
Enhebrar el Looper .....	17
Enhebrar las agujas .....	18
Colocar/Retirar el separador de la cubierta y la guía de enhebrado de la cubierta.....	19
Enhebrar el separador de la cubierta .....	20
<b>Capítulo 5 : TABLA COMPARATIVA DE LOS TIPOS DE PUNTADAS .....</b>	<b>21</b>
<b>Capítulo 6 : COSER .....</b>	<b>24</b>
Coser un tejido liso (por ejemplo, una costura de prueba) .....	24
Retirar la tela de la máquina (Máquina recubridora).....	24
Retirar la tela de la máquina (Máquina recubridora superior) .....	25
Coser una puntada de recubrimiento .....	27
Coser prendas con forma de tubo (por ejemplo, puños) .....	27
Estabilizar el principio y el final de la costura .....	28
<b>Capítulo 7 : SOLUCIÓN DE PROBLEMAS .....</b>	<b>29</b>
<b>Capítulo 8 : MANTENIMIENTO .....</b>	<b>30</b>
Limpieza .....	30
<b>ESPECIFICACIONES .....</b>	<b>31</b>

# CAPÍTULO 1 NOMBRES DE LAS PARTES Y SUS FUNCIONES

Máquina (Recubridora) (Product Code (Código de producto): 884-B30)



## Interior de la tapa delantera



- ① Árbol del hilo
- ② Tornillo de ajuste de la presión del prensatelas
- ③ Tapa de toma de hilo
- ④ Cortador de hilo
- ⑤ Tapa de tejido
- ⑥ Agujas
- ⑦ Suplemento para la mesa
- ⑧ Prensatelas
- ⑨ Disco de tensión del hilo de la aguja izquierda
- ⑩ Disco de tensión del hilo de la aguja central
- ⑪ Disco de tensión del hilo de la aguja derecha
- ⑫ Disco de tensión del hilo del Looper
- ⑬ Palanca del pie prensatela
- ⑭ Tapa delantera
- ⑮ Guía de enhebrado
- ⑯ Portabobinas
- ⑰ Esterillas para carretes

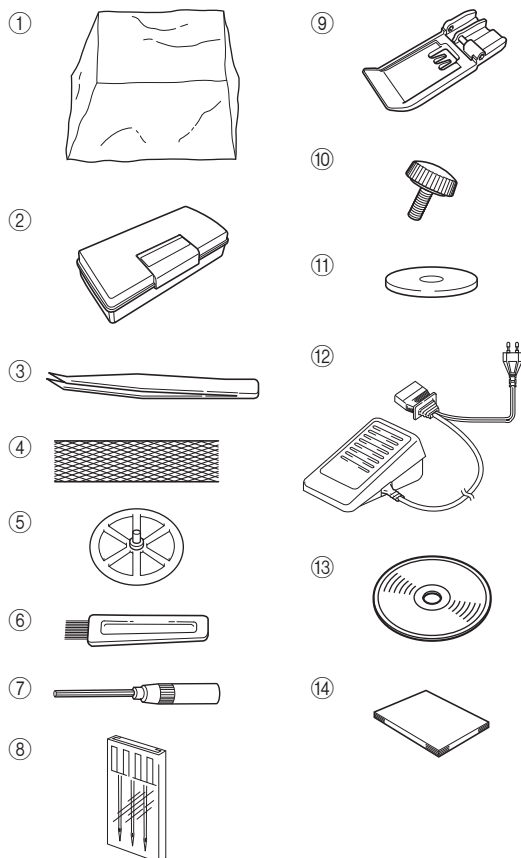
- ⑱ Soporte de la bobina
- ⑲ Disco de ajuste del largo de las puntadas
- ⑳ Disco de ajuste de velocidad de alimentación con diferencial
- ㉑ Ruedecilla
- ㉒ Interruptor de alimentación principal y de luz
- ㉓ Zócalo del pedal
- ㉔ Asa
- ㉕ Aberturas de ventilación

## Interior de la tapa delantera

- ㉖ Palanca de ajuste de la tensión del hilo del Looper
- ㉗ Tirahilo del Looper
- ㉘ Looper
- ㉙ Palanca de liberación del Looper
- ㉚ Compartimento de la tapa delantera  
*Puede almacenar los accesorios incluidos en este compartimento de la tapa delantera. <A>: Juego de agujas, <B>: Pinzas, <C>: Llave hexagonal*

## Accesorios (Máquina recubridora)

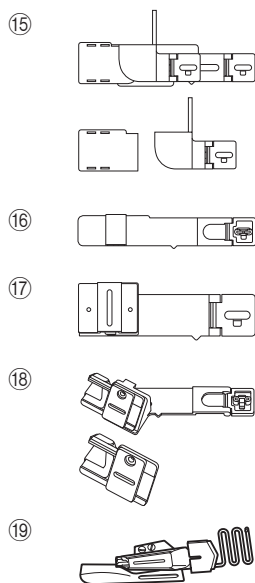
### ■ Accesorio incluido



N.º	Nombre de la pieza	Código de pieza
①	Funda	XB3264001
②	Caja de accesorios	XB3291001
③	Pinzas	XB1618001
④	Malla para hilo (4)	X75904000
⑤	Tope del carrete (4)	X77260000
⑥	Cepillo limpiador	X75906001
⑦	Llave hexagonal	XB0393001
⑧	Juego de agujas (130/705H) #90: 3 unidades.	XB1216001
⑨	Pie transparente	XB3361001
⑩	Tornillo de sujeción (2)	XB3292001
⑪	Amortiguador de carrete (4)	XB1218001
⑫	Pedal	XC7359021 (zona de 120 V) XB3112001 (zona de 230 V) XB3134001 (Reino Unido) XB3200001 (Argentina) XB3156001 (Corea) XB3255001 (China) XB3190001 (Australia, Nueva Zelanda) XF2826001 (Brasil 127 V) XB3178001 (Brasil 220 V)
⑬	DVD de instrucciones	XB3301001 (NTSC) XB3305001 (PAL)
⑭	Manual de instrucciones	-

### ■ Accesorios opcionales

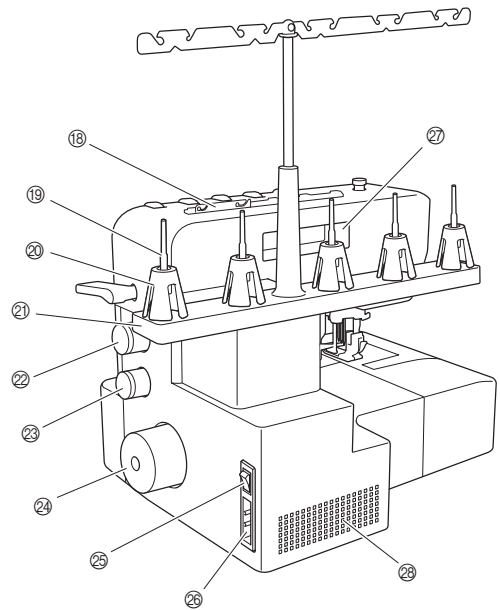
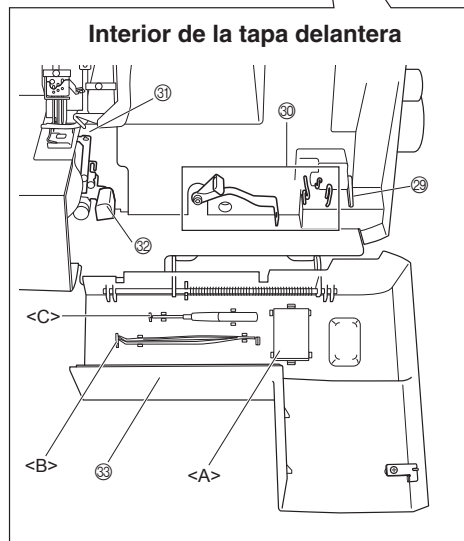
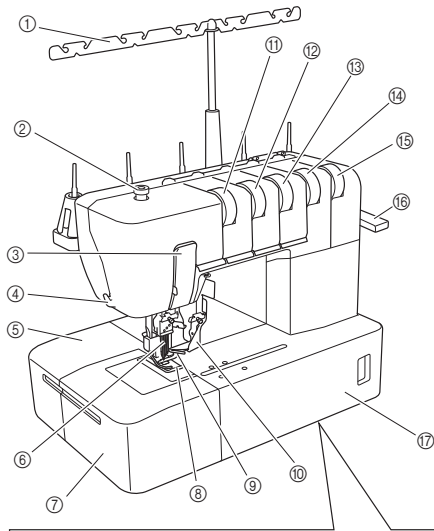
Cuando utilice los siguientes accesorios, utilice el prensatelas incluido en los accesorios.



N.º	Nombre del producto	Código de pieza		
		Américas	Europa	Otros
⑮	Set de dobladillo	SA221CV	SA221CV/ XB2970-101	SA221CV
⑯	Al bias	SA222CV	SA222CV/ XB2971-101	SA222CV
⑰	Guía de presillas de cinturón	SA223CV	SA223CV/ XB2972-101	SA223CV
⑱	Equipo de costura para ribetear cintas	SA230CV	SA230CV/ XB3387-001	SA230CVAP
⑲	Plegador de doble función	SA231CV	SA231CV/ XB3388-001	SA231CVAP



## Máquina (Recubridora superior) (Product Code (Código de producto): 884-B31)



- ① Árbol del hilo
- ② Tornillo de ajuste de la presión del prensatelas
- ③ Tapa de toma de hilo
- ④ Cortador de hilo
- ⑤ Tapa de tejido
- ⑥ Agujas
- ⑦ Suplemento para la mesa
- ⑧ Prensatelas
- ⑨ Separador de la cubierta
- ⑩ Guía de enhebrado de la cubierta
- ⑪ Disco de tensión del hilo de la aguja izquierda
- ⑫ Disco de tensión del hilo de la aguja central
- ⑬ Disco de tensión del hilo de la aguja derecha
- ⑭ Disco de tensión del hilo de la cubierta
- ⑮ Disco de tensión del hilo del Looper
- ⑯ Palanca del pie prensatela
- ⑰ Tapa delantera
- ⑱ Guía de enhebrado
- ⑲ Portabobinas

- ⑳ Esterillas para carretes
- ㉑ Soporte de la bobina
- ㉒ Disco de ajuste del largo de las puntadas
- ㉓ Disco de ajuste de velocidad de alimentación con diferencial
- ㉔ Ruedecilla
- ㉕ Interruptor de alimentación principal y de luz
- ㉖ Zócalo del pedal
- ㉗ Asa
- ㉘ Aberturas de ventilación

### Interior de la tapa delantera

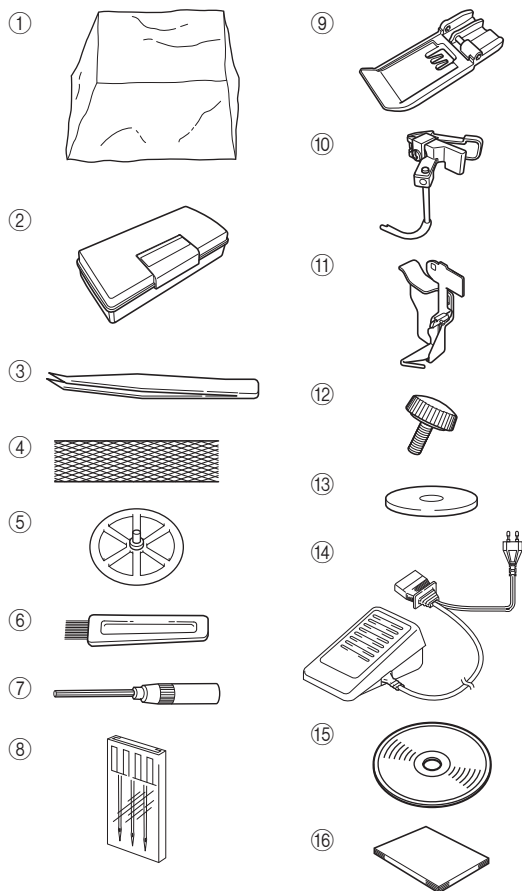
- ㉙ Palanca de ajuste de la tensión del hilo del Looper
- ㉚ Tirahilo del Looper
- ㉛ Looper
- ㉜ Palanca de liberación del Looper
- ㉝ Compartimento de la tapa delantera

*Puede almacenar los accesorios incluidos en este compartimento de la tapa delantera. <A>: Juego de agujas, <B>: Pinzas, <C>: Llave hexagonal*



## Accesorios (Máquina recubridora superior)

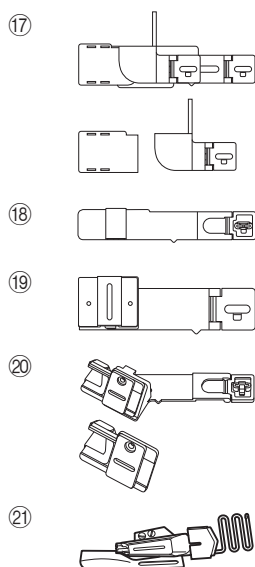
### ■ Accesorio incluido



N.º	Nombre de la pieza	Código de pieza
①	Funda	XB3264001
②	Caja de accesorios	XB3291001
③	Pinzas	XB1618001
④	Malla para hilo (5)	X75904000
⑤	Tope del carrete (5)	X77260000
⑥	Cepillo limpiador	X75906001
⑦	Llave hexagonal	XB0393001
⑧	Juego de agujas (130/705H) #90: 3 unidades.	XB1216001
⑨	Pie transparente	XB3361001
⑩	Separador de la cubierta	XB3090001
⑪	Guía de enhebrado de la cubierta	XB3105001
⑫	Tornillo de sujeción (2)	XB3292001
⑬	Amortiguador de carrete (5)	XB1218001
⑭	Pedal	XC7359021 (zona de 120 V) XB3112001 (zona de 230 V) XB3134001 (Reino Unido) XB3200001 (Argentina) XB3156001 (Corea) XB3255001 (China) XB3190001 (Australia, Nueva Zelanda) XF2826001 (Brasil 127 V) XB3178001 (Brasil 220 V)
⑮	DVD de instrucciones	XB3301001 (NTSC) XB3305001 (PAL)
⑯	Manual de instrucciones	-

### ■ Accesorios opcionales

Cuando utilice los siguientes accesorios, utilice el prensatelas incluido en los accesorios.



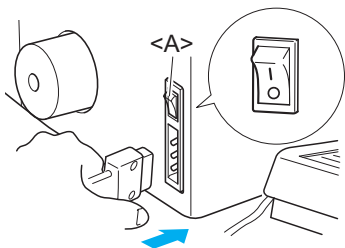
N.º	Nombre del producto	Código de pieza		
		Américas	Europa	Otros
⑰	Set de dobladillo *	SA221CV	SA221CV/ XB2970-101	SA221CV
⑱	Al bias	SA222CV	SA222CV/ XB2971-101	SA222CV
⑲	Guía de presillas de cinturón	SA223CV	SA223CV/ XB2972-101	SA223CV
⑳	Equipo de costura para ribetear cintas	SA230CV	SA230CV/ XB3387-001	SA230CVAP
㉑	Plegador de doble función	SA231CV	SA231CV/ XB3388-001	SA231CVAP

\* Puede utilizarse solamente con una máquina recubridora, no con una máquina recubridora superior.

## Activar la máquina

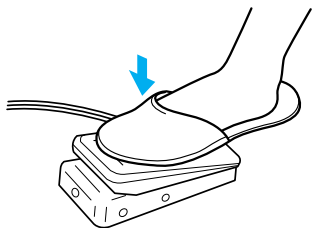
### ■ Activar la máquina

1. Introduzca el enchufe de tres clavijas en el zócalo de la parte inferior derecha de la máquina. Inserte el conector de alimentación en una toma de corriente.
2. Coloque el interruptor de alimentación principal y de luz <A> en la posición "I" (en la posición "O" para desactivar).



### ■ Funcionamiento

Si el pedal se pisa ligeramente, la máquina funciona a baja velocidad. A medida que se va pisando el pedal, la máquina aumenta su velocidad. Si deja de pisar el pedal, la máquina se detiene.



**NOTA (Solo para EE. UU.):**

*Pedal: Modelo KD-1902*

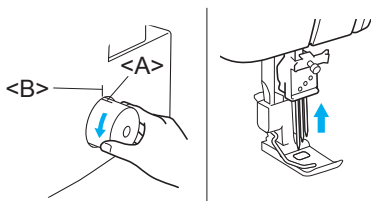
*Este pedal puede utilizarse en la máquina con el código de producto 884-B30 y 884-B31.*

*\* Este código de producto se indica en la placa de características de la máquina.*

## Dirección de giro de la ruedecilla

La ruedecilla <A> gira hacia la izquierda (dirección de la flecha). Es la misma dirección que una máquina de coser doméstica corriente.

Mueva las agujas a sus posiciones más elevadas girando la ruedecilla de forma que su marca <B> quede alineada con la línea de la máquina.



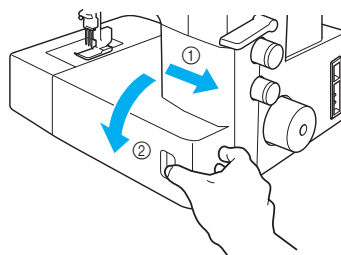
## Abrir/Cerrar la tapa delantera

Es necesario abrir la tapa delantera para enhebrar la máquina. Deslícela hacia la derecha ①, y luego ábrala ②. Después de cerrarla, deslícela hacia la izquierda.

## ⚠PRECAUCIÓN

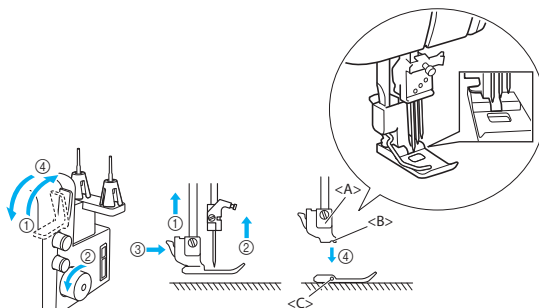
Para su seguridad, compruebe que la tapa delantera esté cerrada cuando utilice la máquina.

Desactive siempre la máquina antes de abrir la tapa delantera.



## Colocar/Retirar un prensatelas

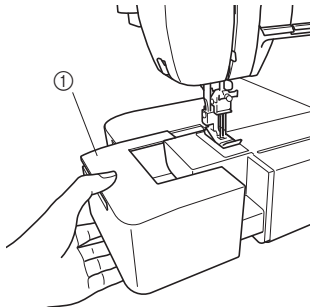
1. Desactive el interruptor de alimentación principal y de luz o desconecte el enchufe de alimentación.
2. Levante la palanca del pie prensatelas ①.
3. Gire la ruedecilla ② de forma que su línea quede alineada con la línea de la máquina. (Véase el CAPÍTULO 1 "Dirección de giro de la ruedecilla".)
4. Pulse el botón del soporte del pie prensatelas ③ para liberar el pie prensatelas estándar.
5. Levante un poco más el prensatelas presionando la palanca del pie prensatelas hacia arriba. A continuación, retire el prensatelas y guárdelo en un lugar seguro.
6. Vuelva a levantar un poco más el prensatelas presionando la palanca del pie prensatelas hacia arriba. Coloque el pie prensatelas justo debajo de su soporte <A> de forma que la ranura de la parte inferior del soporte <B> quede alineada con la barra de la parte superior del pie <C>, y luego baje la palanca del pie prensatelas para colocar el pie ④.



## Costura de brazo libre (retirando el suplemento para la mesa)

La costura de brazo libre permite coser telas con forma de tubo más fácilmente.

1. Retire el suplemento para la mesa.

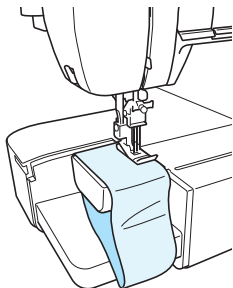


- 1 Suplemento para la mesa

**NOTA:**

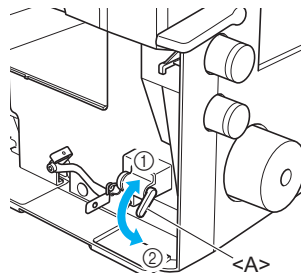
*Procure no extraviar el suplemento para la mesa.*

2. Coloque la tela y comience a coser.  
(Véase el CAPÍTULO 5.)



## Palanca de ajuste de la tensión del hilo del Loper

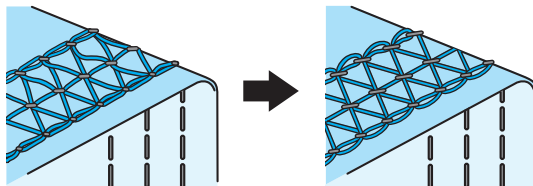
Con la palanca de ajuste de la tensión del hilo del Loper, pueden realizarse ajustes precisos en la tensión del hilo del Loper. Cuando cosa una tela elástica o con una pequeña longitud de la puntada, levante la palanca para aumentar la tensión del hilo del Loper. Cuando cosa una tela no elástica o con una gran longitud de la puntada, baje la palanca para reducir la tensión del hilo del Loper.



- 1 Levante la palanca para aumentar la tensión del hilo del Loper.
  - 2 Baje la palanca para reducir la tensión del hilo del Loper.
- <A> Palanca de ajuste de la tensión del hilo del Loper

### ■ Tela no elástica, como la sarga

Reduzca la tensión del hilo del Loper.

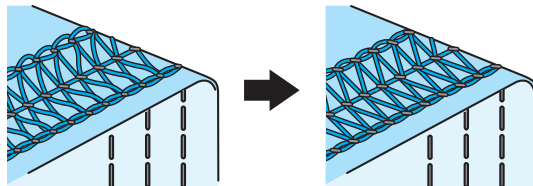


Posición de la palanca: Centro

Posición de la palanca: Abajo

### ■ Tela elástica, como las de punto liso

Aumente la tensión del hilo del Loper.

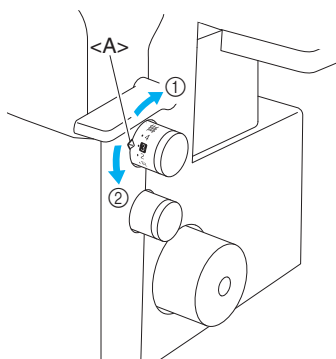


Posición de la palanca: Centro

Posición de la palanca: Arriba

## Longitud de la puntada

El ajuste normal de longitud de la puntada es de 3 mm. Para cambiar dicha longitud, gire el disco de ajuste del largo de las puntadas en el lado derecho de la máquina.

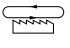

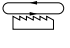
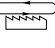
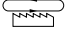
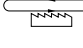


- ① Reduce la longitud de la puntada a un mínimo de 2 mm (5/64 de pulgada).
- ② Aumenta la puntada a un máximo de 4 mm (5/32 de pulgada).
- <A> Marca de selección

## Alimentación con diferencial

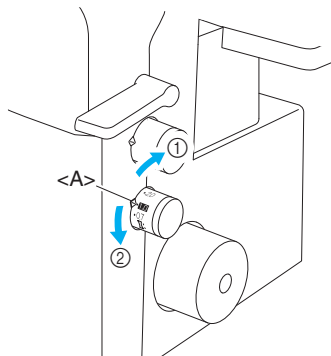
Existen dos juegos de dientes de arrastre debajo del prensatelas para mover la tela a través de la máquina. La alimentación con diferencial controla el movimiento de los dientes de arrastre delanteros y posteriores. Si se ajusta a 1, los dientes de arrastre se mueven a la misma velocidad (velocidad 1). Si la velocidad de alimentación con diferencial se ajusta a un valor inferior a 1, los dientes de arrastre delanteros se mueven menos que los posteriores, estirando la tela a medida que se cose. Esto resulta eficaz en telas ligeras que pueden arrugarse. Si la velocidad de alimentación con diferencial se ajusta a un valor superior a 1, los dientes de arrastre delanteros se mueven más que los posteriores, plegando la tela a medida que se cose. Esta función ayuda a eliminar las ondulaciones al coser telas elásticas.

### ■ Ajuste de la alimentación con diferencial

Velocidad de alimentación	Alimentación principal (posterior)	Alimentación con diferencial (frontal)	Efecto	Aplicación
Inferior a 1,0			El material se tensa.	Evita que los materiales finos se frunzan
1,0			Sin alimentación con diferencial.	Costura normal
Superior a 1,0			El material se pliega o se junta.	Evita que los materiales elásticos se estiren o se plieguen

El ajuste normal es 1,0 en el disco de ajuste de alimentación con diferencial.

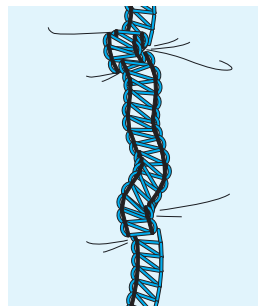
Para ajustar la alimentación con diferencial, gire el disco en la parte inferior derecha de la máquina.



- ① Inferior a 1,0
- ② Superior a 1,0
- <A> Marca de selección

### Un ejemplo

Si se cose material elástico sin utilizar la alimentación con diferencial, el tejido quedará ondulado.



Para conseguir un acabado liso, ajuste la velocidad de alimentación entre 1,0 y 2,0. (La velocidad de alimentación necesaria depende de la elasticidad del material.)

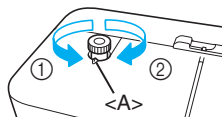
Cuanto más elástico sea el material, más cercano a 2,0 debería ser el ajuste de velocidad de alimentación con diferencial. Realice una prueba de costura con un retal de la tela para encontrar el ajuste correcto.

## ⚠ PRECAUCIÓN

Cuando cose un material no elástico y grueso, como tela vaquera, no utilice la alimentación con diferencial porque puede dañar el tejido.

## Ajustar la presión del prensatelas

Gire el tornillo de ajuste de la presión situado a la izquierda de la parte superior de la máquina. Consulte el valor del tornillo para definir el ajuste. El ajuste normal es "2".

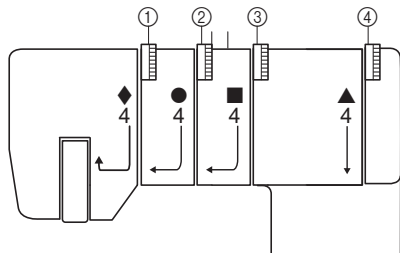


- ① Menos presión
- ② Más presión
- <A> Marca de selección

## Ajustar los discos de tensión

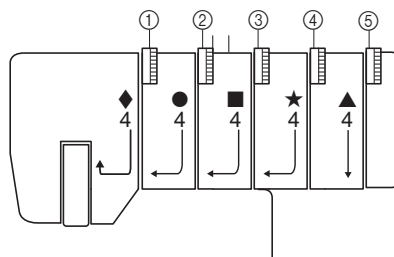
Existe un disco de tensión del hilo para cada hilo de la aguja, el hilo del Loper y el hilo de la cubierta. La tensión del hilo correcta puede variar según el tipo y el grosor de la tela y el tipo de hilo utilizado. Puede que sea necesario cambiar los ajustes de tensión del hilo para realizar cualquier cambio en los materiales de costura.

### ■ Máquina recubridora



- ① El disco de tensión de color amarillo es para el hilo de la aguja izquierda.
- ② El disco de tensión de color verde es para el hilo de la aguja central.
- ③ El disco de tensión de color rosa es para el hilo de la aguja derecha.
- ④ El disco de tensión de color azul es para el hilo del Loper.

### ■ Máquina recubridora superior

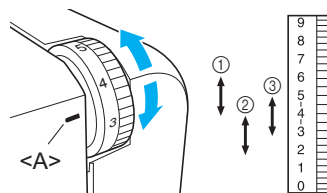


- ① El disco de tensión de color amarillo es para el hilo de la aguja izquierda.
- ② El disco de tensión de color verde es para el hilo de la aguja central.
- ③ El disco de tensión de color rosa es para el hilo de la aguja derecha.
- ④ El disco de tensión de color púrpura es para el hilo de la cubierta.
- ⑤ El disco de tensión de color azul es para el hilo del Loper.

### ■ Control de la tensión

La posición "4" es adecuada para la mayoría de los casos. (Estándar: SPAN #60)

Si la calidad de la puntada es insuficiente, seleccione un ajuste de tensión diferente.



- ① Para una tensión pronunciada: De 4 a 6
- ② Para una tensión ligera: De 4 a 2
- ③ Para una tensión media: De 5 a 3
- <A> Marca de selección de la tensión

## ⚠ PRECAUCIÓN

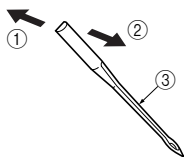
Compruebe que el hilo esté correctamente colocado en los discos de tensión.

## Aguja

Esta máquina utiliza una aguja para máquinas de coser domésticas estándar.

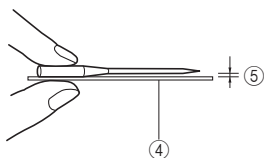
La aguja recomendada es 130/705H (#90).

### ■ Descripción de la aguja



- ① Parte posterior (cara plana)
- ② Parte frontal
- ③ Canal

### ■ Cómo comprobar la aguja



- ④ Superficie plana
- ⑤ Coloque la aguja sobre su cara plana y compruebe si el espacio es uniforme.

#### NOTA:

Los daños en la tela pueden reducirse utilizando el modelo de punta redondeada 130/705H SUK (#90).

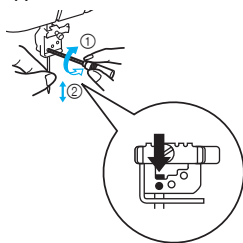
## Retirar/Colocar la aguja

<A> Retirar/colocar la aguja izquierda

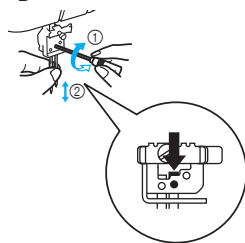
<B> Retirar/colocar la aguja central

<C> Retirar/colocar la aguja derecha

<A>



<B>



<C>



- ① Apretar
- ② Aflojar

### Para retirar:

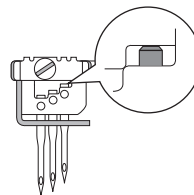
1. Desactive el interruptor de alimentación principal y de luz.
2. Gire la ruedecilla de forma que su línea quede alineada con la línea de la máquina. (Véase el CAPÍTULO 1 "Dirección de giro de la ruedecilla".)
3. Afloje el tornillo del juego de agujas correspondiente girándolo con la llave hexagonal incluida hacia la posición ② en la figura, y luego retire la aguja.

### Para colocar:

1. Desactive el interruptor de alimentación principal y de luz.
2. Gire la ruedecilla de forma que su línea quede alineada con la línea de la máquina.
3. Sujete la aguja con su cara plana alejada de usted e insértela al máximo hacia arriba.
4. Apriete firmemente el tornillo del juego de agujas girándolo con la llave hexagonal incluida hacia la posición ① en la ilustración.

#### NOTA:

Inserte siempre las agujas el máximo posible.



## ⚠ PRECAUCIÓN

Desactive siempre la máquina antes de retirar/colocar la aguja.

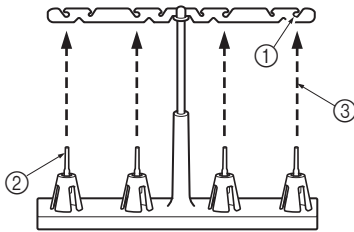
No deje caer la aguja ni el tornillo del juego de agujas en la máquina, ya que podría resultar dañada.

# CAPÍTULO 2 PREPARACIÓN ANTES DE ENHEBRAR

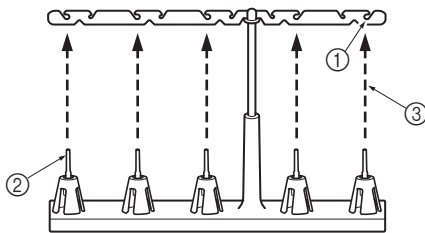
## Árbol del hilo

Levante al máximo el árbol telescópico del hilo. Compruebe que los soportes del hilo quedan alineados sobre los portabobinas de la forma mostrada a continuación.

### Máquina recubridora



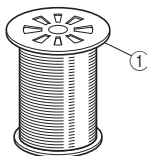
### Máquina recubridora superior



- ① Soporte del hilo en el árbol del hilo
- ② Portabobinas
- ③ Posición correcta

## Utilizar el tope del carrete

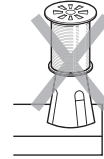
Cuando se utilizan carretes de hilo para coser, el tope del carrete debe utilizarse de la forma mostrada a continuación. Compruebe que la muesca del carrete se encuentre en la parte inferior.



- ① Tope del carrete

## ⚠ PRECAUCIÓN

Antes de utilizar un carrete de hilo, retire siempre las esterillas para carretes.



Antes de utilizar hilo de hilvanar de nailon, instale siempre las esterillas para carretes.

Si el tope del carrete no está totalmente presionado, el hilo podría engancharse en el portabobinas o la aguja podría doblarse o romperse.

## Amortiguador de carrete

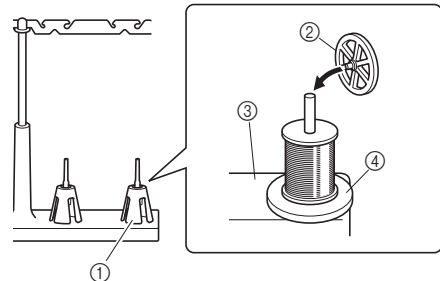
Si utiliza carretes de hilo o hilo de hilvanar que se desliza fácilmente fuera del carrete, coloque este tapete debajo del carrete.

Así evitará que el hilo se enrede en el portabobinas.



## Utilizar el amortiguador de carrete

1. Retire las esterillas para carretes, y luego coloque el amortiguador de carrete en el portabobinas.
2. Coloque el carrete de hilo (con la muesca del carrete en la parte inferior) en el portabobinas y, a continuación, coloque el tope del carrete en la parte superior y presiónelo totalmente.



- ① Esterillas para carretes
- ② Tope del carrete
- ③ Soporte de la bobina
- ④ Amortiguador de carrete

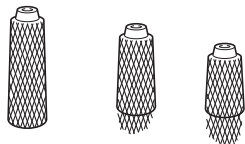
## ⚠ PRECAUCIÓN

Si el tope del carrete no está totalmente presionado contra el carrete de hilo, el hilo podría engancharse en el portabobinas o la aguja podría doblarse o romperse.

## Utilizar la malla para hilo

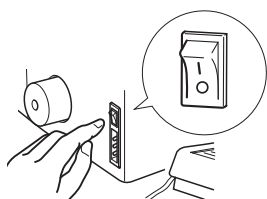
Si cose con hilo de hilvanar de nailon, es recomendable cubrir el carrete con la malla incluida para evitar que el hilo se deslice fuera del carrete.

Adapte la malla a la forma del carrete.

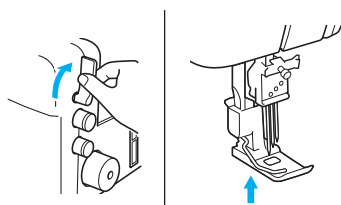


## Antes de enhebrar

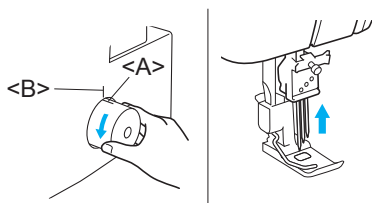
1. Desactive el interruptor de alimentación principal y de luz para más seguridad.



2. Levante el prensatelas con la palanca del pie prensatela.



3. Gire la ruedecilla de forma que su línea <A> quede alineada con la línea <B> de la máquina. (Véase el CAPÍTULO 1 “Dirección de giro de la ruedecilla”.)





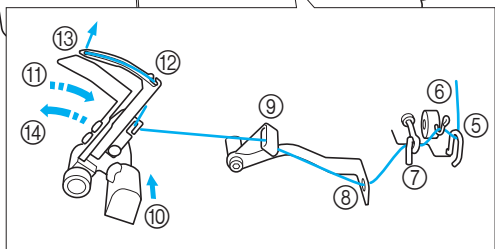
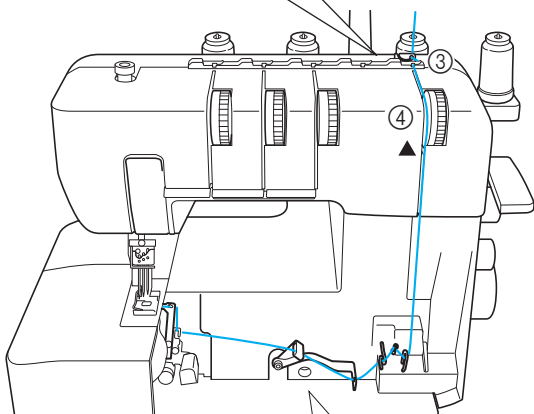
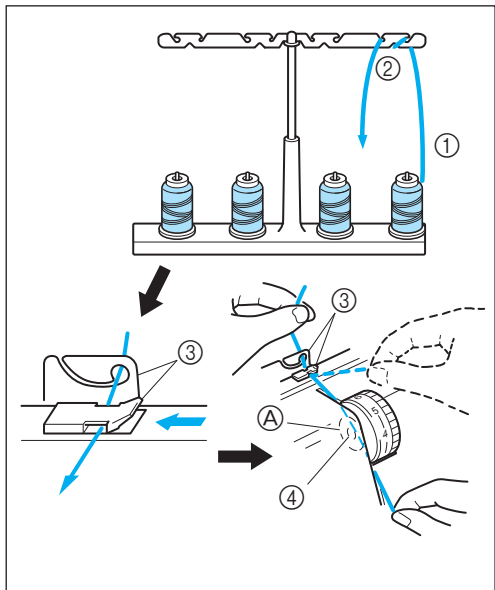
# CAPÍTULO 3 ENHEBRAR (Máquina recubridora)

## ⚠️ PRECAUCIÓN

Antes de enhebrar, apague la máquina para más seguridad.

### Enhebrar el Looper

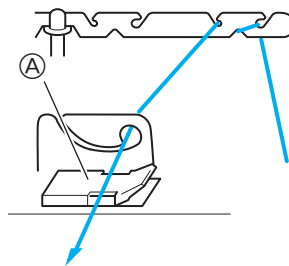
Pase el hilo en la secuencia indicada en la imagen, siguiendo la línea azul y los números mostrados junto a cada punto de enhebrado.



1. Abra la tapa delantera deslizándola hacia la derecha y guiando la parte superior hacia usted.
2. Tire del hilo del carrete y páselo directamente a través del soporte del hilo ① y del soporte del hilo ② en el árbol del hilo, de atrás hacia adelante.
3. Pase el hilo del Looper ③ de la forma mostrada en la imagen.
4. Pase el hilo por el disco de tensión ④ en el canal situado junto al disco de tensión marcado con un símbolo ▲ de color azul.
5. Guíe el hilo por el canal y a través de los puntos de enhebrado ⑤-⑨, siguiendo el orden numérico mostrado en la imagen.
6. Después de pasar el hilo hacia ⑨, presione la palanca de liberación del Looper ⑩ para moverlo hacia la derecha ⑪, y luego pase el hilo a través de ⑫-⑬.
7. Pase unos 10 cm (4 pulgadas) de hilo a través del ojo del Looper.
8. Coloque el Looper ⑭ en su posición original presionándolo.
9. Cierre la tapa delantera.

#### NOTA:

Si utiliza un hilo grueso, como por ejemplo un hilo decorativo, como hilo del Looper, pase el hilo de la forma mostrada en la imagen.



No pase el hilo a través de A.

## Enhebrar las agujas

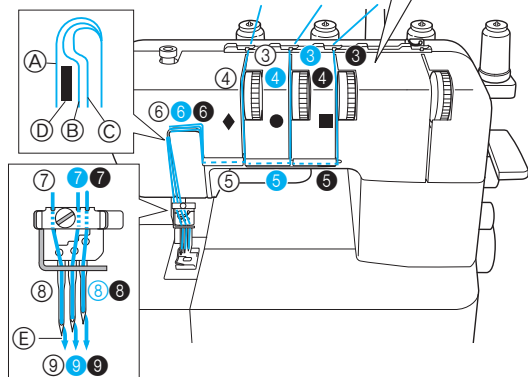
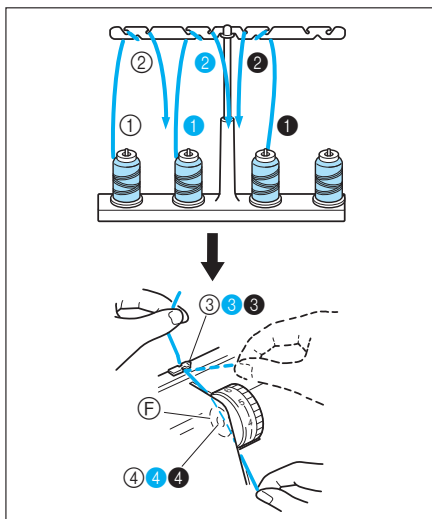
### ■ Hilos de la aguja utilizados por los diversos tipos de puntadas

La puntada triple de recubrimiento (con tres agujas y cuatro hilos) utiliza el hilo de la aguja izquierda, el hilo de la aguja central y el hilo de la aguja derecha.

La puntada ancha de recubrimiento, con dos agujas y tres hilos (Ancha) (6 mm (15/64 de pulgada)), utiliza el hilo de la aguja izquierda y el hilo de la aguja derecha.

La puntada estrecha de recubrimiento, con dos agujas y tres hilos (Estrecha) (3 mm (1/8 de pulgada)), utiliza el hilo de la aguja central y el hilo de la aguja derecha.

El punto de cadeneta utiliza el hilo de la aguja central y el hilo del Loper.



- (A) Hacia la aguja izquierda
- (B) Hacia la aguja central
- (C) Hacia la aguja derecha
- (D) Placa de bifurcación
- (E) Pase unos 6 cm (unas 2-1/2 pulgadas) de hilo a través del ojo de la aguja.
- (9-9-9) De adelante hacia atrás

### Enhebrar la aguja izquierda

Pase el hilo en la secuencia indicada en la imagen, siguiendo los números de color amarillo y las marcas ◆ mostradas junto a los puntos de enhebrado. (1-9)

### Enhebrar la aguja central

Pase el hilo en la secuencia indicada en la imagen, siguiendo los números de color verde y las marcas ● mostradas junto a los puntos de enhebrado. (1-9)

### Enhebrar la aguja derecha

Pase el hilo en la secuencia indicada en la imagen, siguiendo los números de color rosa y las marcas ■ mostradas junto a los puntos de enhebrado. (1-9)

## ⚠ PRECAUCIÓN

Cuando enhebre las agujas, hágalo siempre en el siguiente orden: aguja izquierda, aguja central y aguja derecha.

1. Tire del hilo del carrete y páselo directamente a través del soporte del hilo ①①① y del soporte del hilo ②②② en el árbol del hilo, de atrás hacia adelante.
2. Pase cada hilo a través de ③③③, tal como se muestra en la imagen.
3. Pase el hilo por el disco de tensión ④④④ en el canal situado junto al disco de tensión.
4. Guíe el hilo por el canal y a través de los puntos de enhebrado ⑤⑤⑤-⑧⑧⑧ situados junto a las marcas de color, siguiendo el orden numérico mostrado en la imagen.
5. Pase el hilo a través del ojo de la aguja, de adelante hacia atrás.

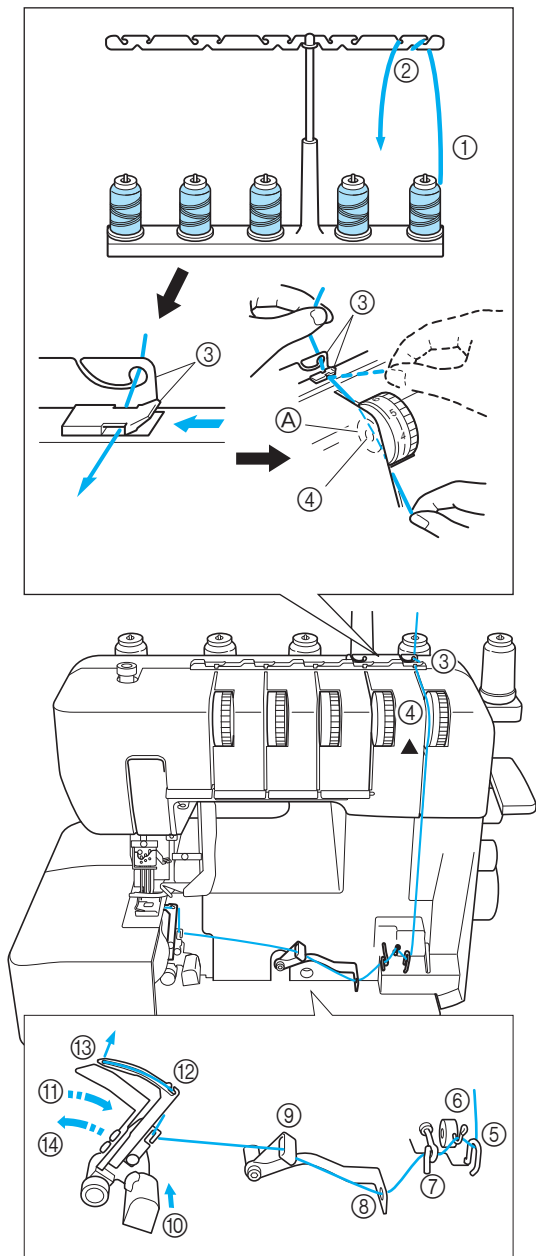
# CAPÍTULO 4 ENHEBRAR (Máquina recubridora superior)

## ⚠️ PRECAUCIÓN

Antes de enhebrar, apague la máquina para más seguridad.

### Enhebrar el Looper

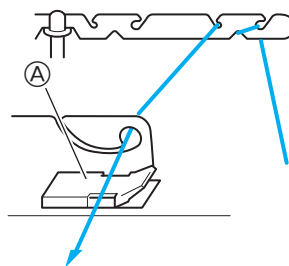
Pase el hilo en la secuencia indicada en la imagen, siguiendo la línea azul y los números mostrados junto a cada punto de enhebrado.



1. Abra la tapa delantera deslizándola hacia la derecha y guiando la parte superior hacia usted.
2. Tire del hilo del carrete y páselo directamente a través del soporte del hilo ① y del soporte del hilo ② en el árbol del hilo, de atrás hacia adelante.
3. Pase el hilo del Looper ③ de la forma mostrada en la imagen.
4. Pase el hilo por el disco de tensión ④ en el canal situado junto al disco de tensión marcado con un símbolo ▲ de color azul.
5. Guíe el hilo por el canal y a través de los puntos de enhebrado ⑤-⑨, siguiendo el orden numérico mostrado en la imagen.
6. Después de pasar el hilo hacia ⑨, presione la palanca de liberación del Looper ⑩ para moverlo hacia la derecha ⑪, y luego pase el hilo a través de ⑫-⑬.
7. Pase unos 10 cm (4 pulgadas) de hilo a través del ojo del Looper.
8. Coloque el Looper ⑭ en su posición original presionándolo.
9. Cierre la tapa delantera.

#### NOTA:

Si utiliza un hilo grueso, como por ejemplo un hilo decorativo, como hilo del Looper, pase el hilo de la forma mostrada en la imagen.



No pase el hilo a través de Ⓐ.

## Enhebrar las agujas

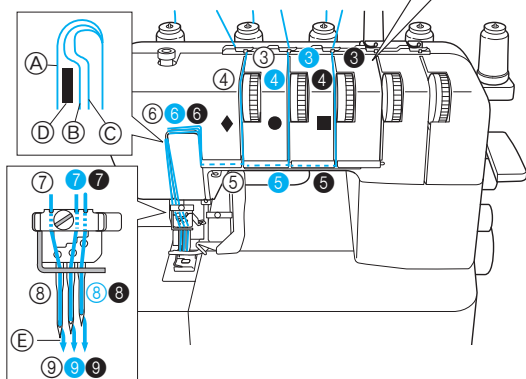
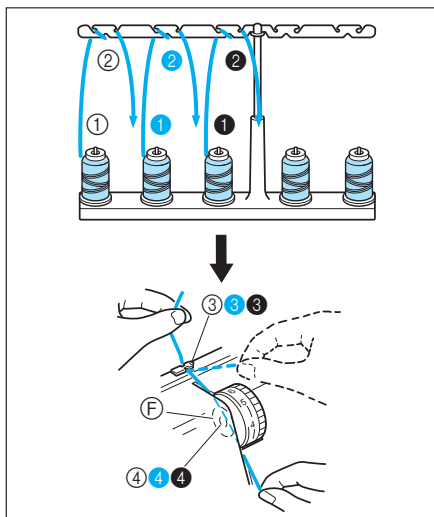
### ■ Hilos de la aguja utilizados por los diversos tipos de puntadas

La puntada triple de recubrimiento (con tres agujas y cuatro hilos) utiliza el hilo de la aguja izquierda, el hilo de la aguja central y el hilo de la aguja derecha.

La puntada ancha de recubrimiento, con dos agujas y tres hilos (Ancha) (6 mm (15/64 de pulgada)), utiliza el hilo de la aguja izquierda y el hilo de la aguja derecha.

La puntada estrecha de recubrimiento, con dos agujas y tres hilos (Estrecha) (3 mm (1/8 de pulgada)), utiliza el hilo de la aguja central y el hilo de la aguja derecha.

El punto de cadeneta utiliza el hilo de la aguja central y el hilo del Loper.



- (A) Hacia la aguja izquierda
- (B) Hacia la aguja central
- (C) Hacia la aguja derecha
- (D) Placa de bifurcación
- (E) Pase unos 6 cm (unas 2-1/2 pulgadas) de hilo a través del ojo de la aguja.
- (9-9) De adelante hacia atrás

### Enhebrar la aguja izquierda

Pase el hilo en la secuencia indicada en la imagen, siguiendo los números de color amarillo y las marcas ◆ mostradas junto a los puntos de enhebrado. (1-9)

### Enhebrar la aguja central

Pase el hilo en la secuencia indicada en la imagen, siguiendo los números de color verde y las marcas ● mostradas junto a los puntos de enhebrado. (1-9)

### Enhebrar la aguja derecha

Pase el hilo en la secuencia indicada en la imagen, siguiendo los números de color rosa y las marcas ■ mostradas junto a los puntos de enhebrado. (1-9)

## ⚠ PRECAUCIÓN

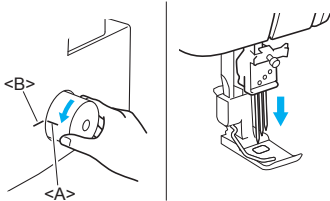
Cuando enhebre las agujas, hágalo siempre en el siguiente orden: aguja izquierda, aguja central y aguja derecha.

1. Tire del hilo del carrete y páselo directamente a través del soporte del hilo ①①① y del soporte del hilo ②②② en el árbol del hilo, de atrás hacia adelante.
2. Pase cada hilo a través de ③③③, tal como se muestra en la imagen.
3. Pase el hilo por el disco de tensión ④④④ en el canal situado junto al disco de tensión.
4. Guíe el hilo por el canal y a través de los puntos de enhebrado ⑤⑤⑤-⑧⑧⑧ situados junto a las marcas de color, siguiendo el orden numérico mostrado en la imagen.
5. Pase el hilo a través del ojo de la aguja, de adelante hacia atrás.

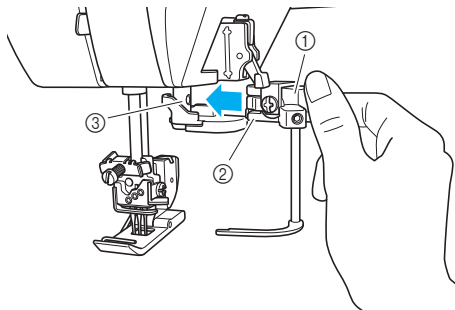
## Colocar/Retirar el separador de la cubierta y la guía de enhebrado de la cubierta

### ■ Colocar el separador de la cubierta y la guía de enhebrado de la cubierta

1. Gire la ruedecilla de forma que su línea <A> quede alineada con la línea <B> de la máquina.

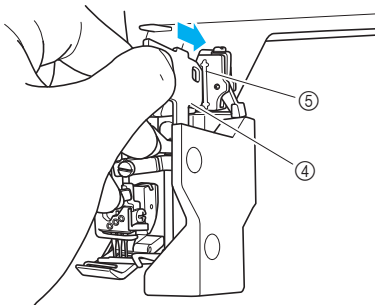


2. Apriete la empuñadura del separador de la cubierta para separar las puntas, y luego, desde el lado derecho, sujete la montura de dicho separador al eje de transmisión de la cubierta.



- ① Empuñadura del separador de la cubierta
- ② Montura del separador de la cubierta
- ③ Eje de transmisión de la cubierta

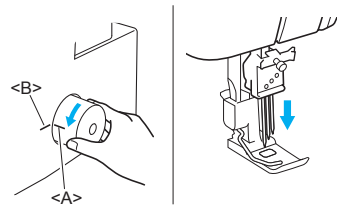
3. Inserte la guía de enhebrado de la cubierta en la ranura de la montura de dicha guía.



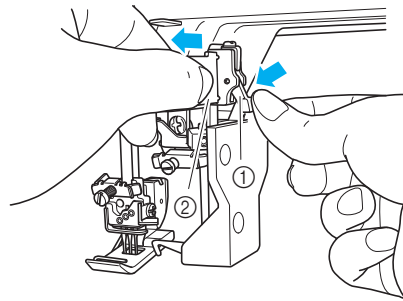
- ④ Guía de enhebrado de la cubierta
- ⑤ Ranura

### ■ Retirar el separador de la cubierta y la guía de enhebrado de la cubierta

1. Gire la ruedecilla de forma que su línea quede alineada con la línea de la máquina.

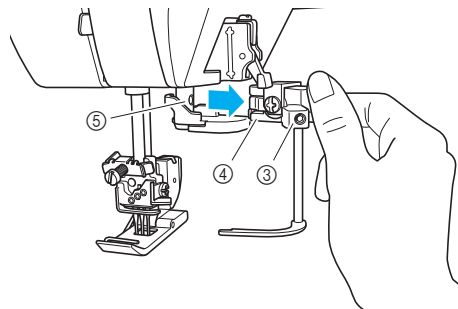


2. Presione la palanca de la montura de la guía de enhebrado de la cubierta y luego retire dicha guía.



- ① Palanca
- ② Guía de enhebrado de la cubierta

3. Apriete la empuñadura del separador de la cubierta para separar las puntas, y luego retire la montura de dicho separador del eje de transmisión de la cubierta.



- ③ Empuñadura del separador de la cubierta
- ④ Montura del separador de la cubierta
- ⑤ Eje de transmisión de la cubierta

## Enhebrar el separador de la cubierta

### NOTA:

Enhebre el hilo de la cubierta después de coser primero una puntada de recubrimiento.

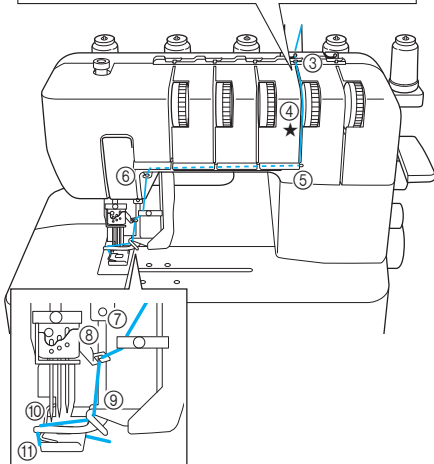
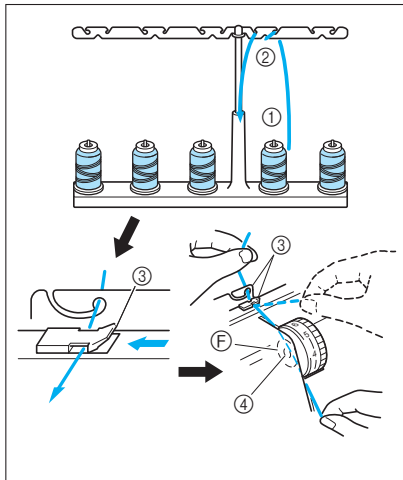
### ■ Hilos de la aguja utilizados por los diversos tipos de puntadas

La puntada triple de recubrimiento superior (tres agujas, cinco hilos) utiliza el hilo de la aguja izquierda, el hilo de la aguja central y el hilo de la aguja derecha.

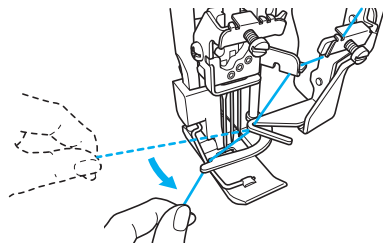
La puntada ancha de recubrimiento superior, con dos agujas y tres hilos (Ancha) (6 mm (15/64 de pulgada)), utiliza el hilo de la aguja izquierda y el hilo de la aguja derecha.

La puntada estrecha de recubrimiento superior, con dos agujas y tres hilos (Estrecha) (3 mm (1/8 de pulgada)), utiliza el hilo de la aguja central y el hilo de la aguja derecha.

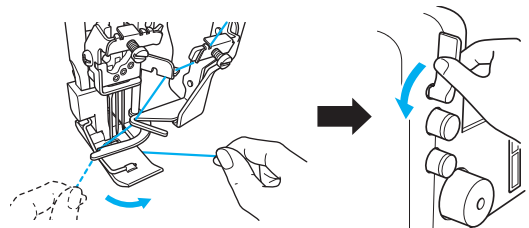
Pase el hilo en la secuencia indicada en la imagen, siguiendo el color púrpura y los números mostrados junto a cada punto de enhebrado.



1. Tire del hilo del carrete y páselo directamente a través del soporte del hilo ① y del soporte del hilo ② en el árbol del hilo, de atrás hacia adelante.
2. Pase cada hilo a través de ③, tal como se muestra en la imagen.
3. Pase el hilo por el disco de tensión ④ en el canal situado junto al disco de tensión marcado con un símbolo ★ de color púrpura.
4. Guíe el hilo por el canal y a través de los puntos de enhebrado ⑤-⑨ situados junto a las marcas de color, siguiendo el orden numérico mostrado en la imagen.
5. Gire la ruedecilla hacia la izquierda para mover el punto del separador de la cubierta totalmente hacia la izquierda.
6. Enhebre el punto del separador de la cubierta de la forma mostrada en la imagen ⑩.



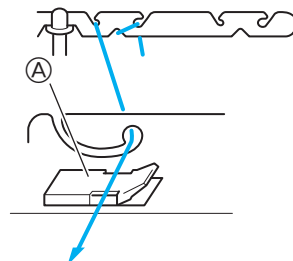
7. Pase el hilo de la cubierta por debajo del prensatelas, de izquierda a derecha de la forma mostrada en la imagen ⑪, y luego baje el prensatelas.



8. Gire la ruedecilla hacia la izquierda 2 o 3 veces para comprobar que el hilo de la cubierta forma puntadas.

### NOTA:

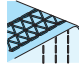
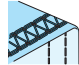
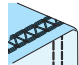
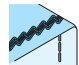
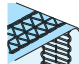
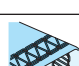

Si utiliza un hilo grueso, como por ejemplo un hilo decorativo, como hilo de la cubierta, pase el hilo de la forma mostrada en la imagen.



No pase el hilo a través de A.

# CAPÍTULO 5

## TABLA COMPARATIVA DE LOS TIPOS DE PUNTADAS

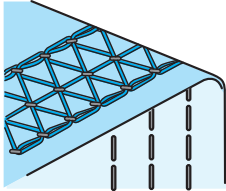
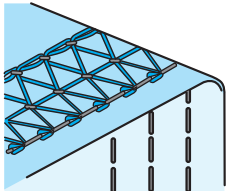
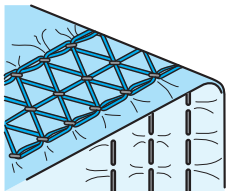
Tipo de puntada	Número de agujas	Número de hilos	Disco de tensión del hilo					Puntada	Modelo	
			Aguja izquierda	Aguja central	Aguja derecha	Hilo de la cubierta*	Hilo del Loooper		Puntada de recubrimiento	Puntada de recubrimiento superior
Puntada triple de recubrimiento	3	4	2-5	2-5	2-5	/	2-5		✓	✓
Puntada de recubrimiento (Ancha)	2	3	3-5	-	3-5	/	2-5		✓	✓
Puntada de recubrimiento (Estrecha)	2	3	-	3-5	3-5	/	2-5		✓	✓
Punto de cadeneta	1	2	-	2-5	-	/	2-5		✓	✓
Puntada triple de recubrimiento superior	3	5	3-5	3-5	3-5	3-5	3-5		/	✓
Puntada de recubrimiento superior (Ancha)	2	4	3-5	-	3-5	3-5	3-5		/	✓
Puntada de recubrimiento superior (Estrecha)	2	4	-	3-5	3-5	3-5	3-5		/	✓

\* Solo para la máquina recubridora superior.

### NOTA:

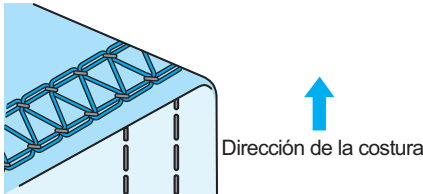
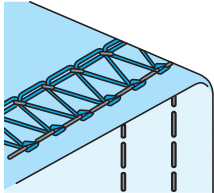
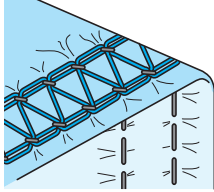
Los anteriores ajustes del disco de tensión del hilo se basan en una longitud de puntada de 3 y una velocidad de alimentación con diferencial de 1,0. Dado que los ajustes pueden variar en función de los tipos de tela e hilo utilizados, compruebe siempre la tensión del hilo.

### ■ Puntada triple de recubrimiento

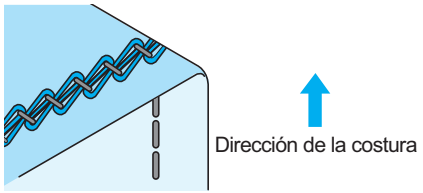
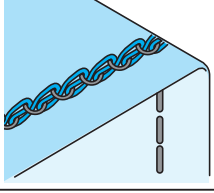
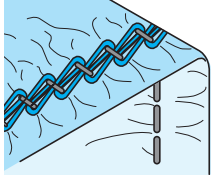
	<p style="text-align: center;">↑ Dirección de la costura</p>	<p><b>Tensión equilibrada</b></p> <p>El hilo de la aguja cose una costura recta en la superficie de la tela, y el hilo del Loooper forma bucles en la parte posterior.</p>
		<p><b>El hilo de la aguja está demasiado flojo.</b></p> <p>Coloque el disco de tensión del hilo de la aguja en un número superior para aumentar la tensión, o coloque el disco de tensión del hilo del Loooper en un número inferior para disminuir la tensión.</p>
		<p><b>El hilo de la aguja está demasiado tenso.</b></p> <p>Coloque el disco de tensión del hilo de la aguja en un número inferior para disminuir la tensión, o coloque el disco de tensión del hilo del Loooper en un número superior para aumentar la tensión.</p>



## ■ Puntada de recubrimiento (ancha/estrecha)

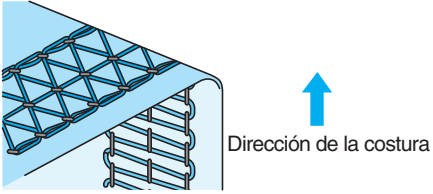
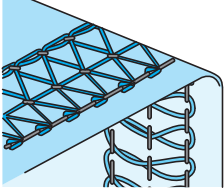
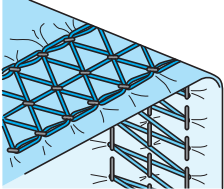
	<p><b>Tensión equilibrada</b></p> <p>El hilo de la aguja cose una costura recta en la superficie de la tela, y el hilo del Loper forma bucles en la parte posterior.</p>
	<p><b>El hilo de la aguja está demasiado flojo.</b></p> <p>Coloque el disco de tensión del hilo de la aguja en un número superior para aumentar la tensión, o coloque el disco de tensión del hilo del Loper en un número inferior para disminuir la tensión.</p>
	<p><b>El hilo de la aguja está demasiado tenso.</b></p> <p>Coloque el disco de tensión del hilo de la aguja en un número inferior para disminuir la tensión, o coloque el disco de tensión del hilo del Loper en un número superior para aumentar la tensión.</p>

## ■ Punto de cadeneta

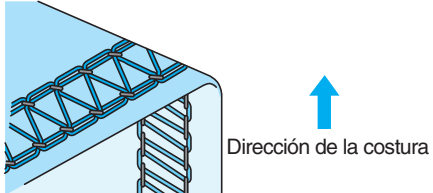
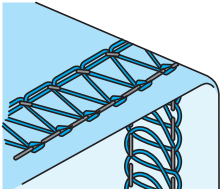
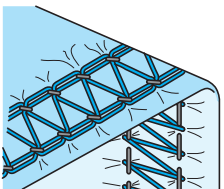
	<p><b>Tensión equilibrada</b></p> <p>El hilo de la aguja cose una costura recta en la superficie de la tela, y el hilo del Loper forma bucles en la parte posterior.</p>
	<p><b>El hilo de la aguja está demasiado flojo.</b></p> <p>Coloque el disco de tensión del hilo de la aguja en un número superior para aumentar la tensión, o coloque el disco de tensión del hilo del Loper en un número inferior para disminuir la tensión.</p>
	<p><b>El hilo de la aguja está demasiado tenso.</b></p> <p>Coloque el disco de tensión del hilo de la aguja en un número inferior para disminuir la tensión, o coloque el disco de tensión del hilo del Loper en un número superior para aumentar la tensión.</p>



## ■ Puntada triple de recubrimiento superior

	<p><b>Tensión equilibrada</b></p> <p>El hilo de la cubierta cose una costura recta en la superficie de la tela, y el hilo del Loooper forma bucles en la parte posterior.</p>
	<p><b>El hilo de la cubierta está demasiado flojo.</b></p> <p>Coloque el disco de tensión del hilo de la cubierta en un número superior para aumentar la tensión, o coloque el disco de tensión del hilo de la aguja en un número inferior para disminuir la tensión.</p>
	<p><b>El hilo de la cubierta está demasiado tenso.</b></p> <p>Coloque el disco de tensión del hilo de la cubierta en un número inferior para disminuir la tensión, o coloque el disco de tensión del hilo de la aguja en un número superior para aumentar la tensión.</p>

## ■ Puntada de recubrimiento superior (ancha/estrecha)

	<p><b>Tensión equilibrada</b></p> <p>El hilo de la cubierta cose una costura recta en la superficie de la tela, y el hilo del Loooper forma bucles en la parte posterior.</p>
	<p><b>El hilo de la cubierta está demasiado flojo.</b></p> <p>Coloque el disco de tensión del hilo de la cubierta en un número superior para aumentar la tensión, o coloque el disco de tensión del hilo de la aguja en un número inferior para disminuir la tensión.</p>
	<p><b>El hilo de la cubierta está demasiado tenso.</b></p> <p>Coloque el disco de tensión del hilo de la cubierta en un número inferior para disminuir la tensión, o coloque el disco de tensión del hilo de la aguja en un número superior para aumentar la tensión.</p>

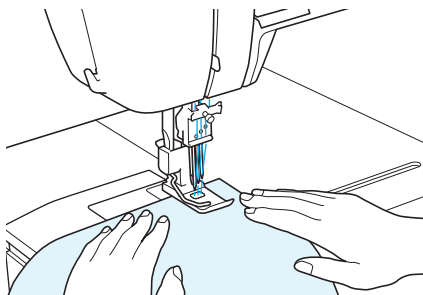
# CAPÍTULO 6 COSER

## ⚠️ PRECAUCIÓN

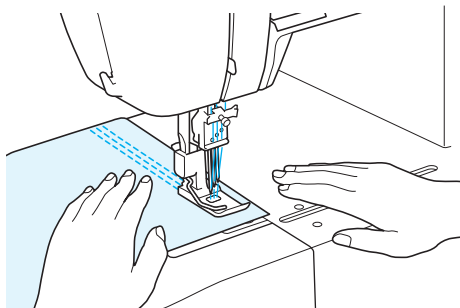
Cuando la máquina esté en funcionamiento, preste especial atención a la posición de la aguja. Además, deberá mantener las manos alejadas de todas las piezas en movimiento, como la aguja y la ruedecilla, ya que podría sufrir lesiones.

### Coser un tejido liso (por ejemplo, una costura de prueba)

1. Levante el prensatelas y coloque la tela en la posición de entrada de la aguja.

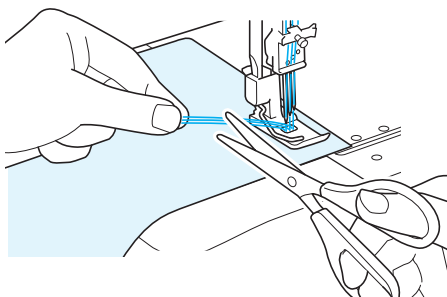


2. Baje el prensatelas, gire manualmente la ruedecilla hacia usted unas cuantas veces y luego pise ligeramente el pedal para empezar a coser.



#### NOTA:

Cuando empiece a coser o después de cambiar el hilo, para que el hilo de la aguja quede encima del prensatelas, cosa con éste situado debajo del prensatelas cuando empiece a coser. Si fuera necesario, gire manualmente la ruedecilla hacia usted unas cuantas veces y luego corte el hilo de la forma mostrada en la imagen.

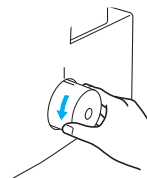


#### NOTA:

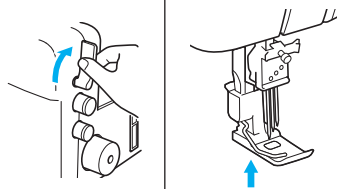
Cuando cosa telas elásticas, ajuste la alimentación con diferencial y compruebe que se consigue el acabado deseado.

### Retirar la tela de la máquina (Máquina recubridora)

1. Gire manualmente la ruedecilla hacia usted hasta que la aguja se encuentre en su posición más elevada.



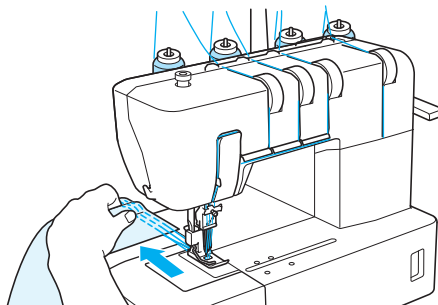
2. Levante el prensatelas.



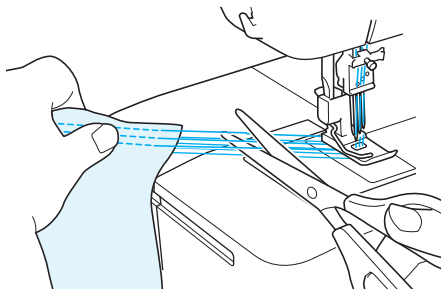
3. Tire lentamente de la tela en la dirección de la flecha.

#### NOTA:

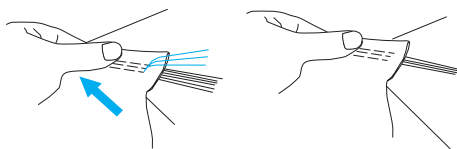
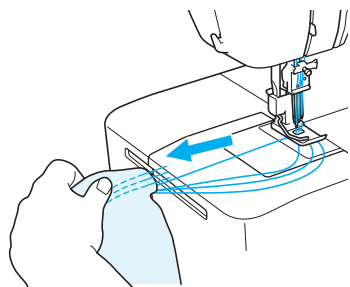
Tire siempre de la tela hacia la parte posterior.



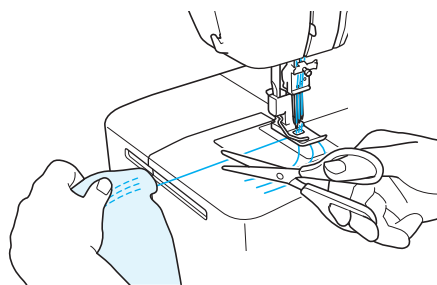
4. Corte los hilos de la aguja que salen de la superficie de la tela.



5. Tire lentamente de la tela en la dirección de la flecha de forma que los extremos de los hilos de la aguja queden estirados hacia la parte posterior de la tela.



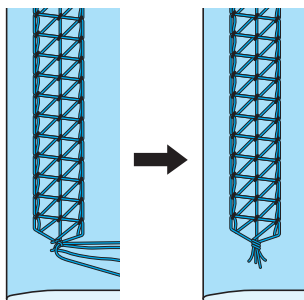
6. Corte el hilo del Looper.



**NOTA:**

*Recomendamos que utilice unas tijeras para cortar el hilo del Looper. También puede utilizar unas tijeras para cortar los hilos de la máquina.*

7. Tire de todos los hilos en la parte posterior de la tela.  
Ate todos los hilos y córtelos.

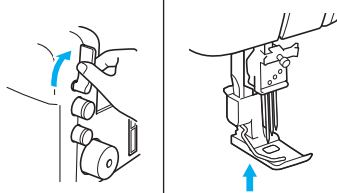


## Retirar la tela de la máquina (Máquina recubridora superior)

1. Gire manualmente la ruedecilla hacia usted hasta que la aguja se encuentre en su posición más elevada.



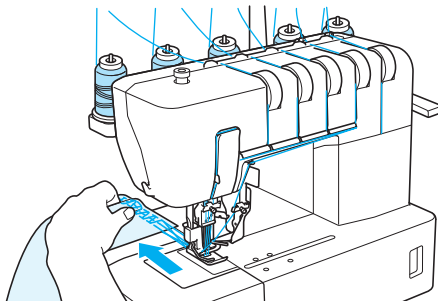
2. Levante el prensatelas.



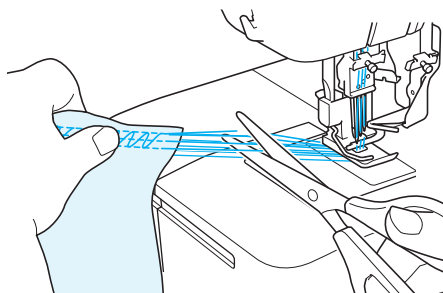
3. Tire lentamente de la tela en la dirección de la flecha.

**NOTA:**

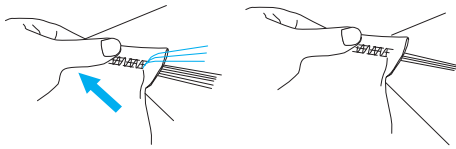
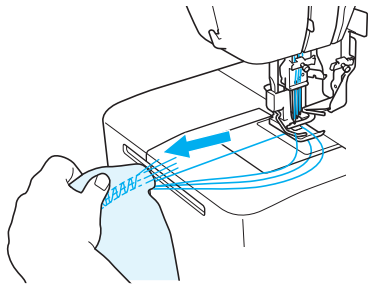
*Tire siempre de la tela hacia la parte posterior.*



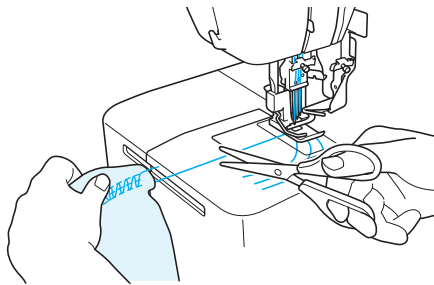
4. Corte los hilos de la aguja que salen de la superficie de la tela.



5. Tire lentamente de la tela en la dirección de la flecha de forma que los extremos de los hilos de la aguja queden estirados hacia la parte posterior de la tela.



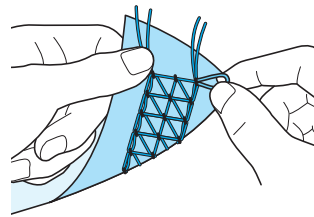
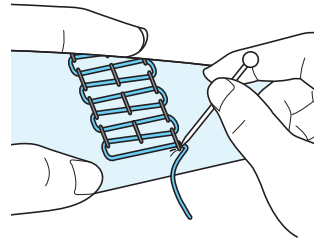
6. Corte el hilo del Looper.



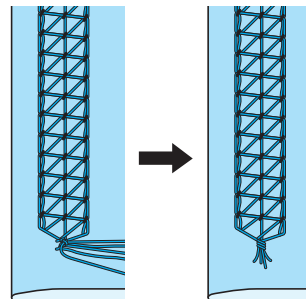
**NOTA:**

*Recomendamos que utilice unas tijeras para cortar el hilo del Looper. También puede utilizar unas tijeras para cortar los hilos de la máquina.*

7. Utilice un objeto puntiagudo, como por ejemplo una aguja, para insertar el hilo de la cubierta desde la superficie de la tela, y luego tire del hilo en la parte posterior de la tela.

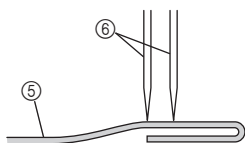
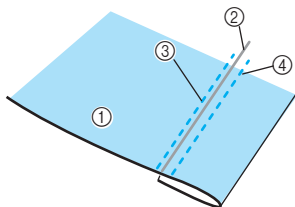


8. Tire de todos los hilos en la parte posterior de la tela.  
Ate todos los hilos y córtelos.



## Coser una puntada de recubrimiento

1. Decida la cantidad de tela que se plegará.
2. Pliegue la cantidad de tela deseada y luego pláncela para fijar su posición.
3. Utilice una regla para medir y luego marque con tiza la parte de la tela donde deberá coserse, en el borde de la tela plegada.
4. Coloque la parte inferior del prensatelas sobre la parte superior de la tela y compruebe que la marca dibujada queda justo a la derecha de la aguja izquierda.
5. Cosa exactamente en la marca.
6. Una vez finalizada la costura, consulte “Retirar la tela de la máquina (Máquina recubridora)” en la página 24 si desea más información acerca del cuidado de los hilos.

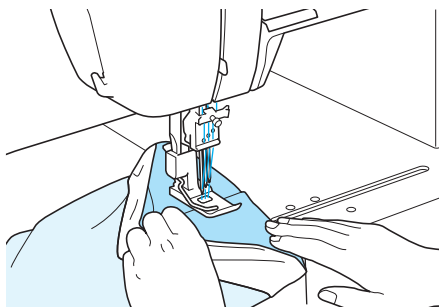


- ① Tela (superficie)
- ② Marca dibujada con la tiza
- ③ Aguja izquierda (justo al lado izquierdo de la marca)
- ④ Aguja derecha
- ⑤ Tela
- ⑥ Aguja

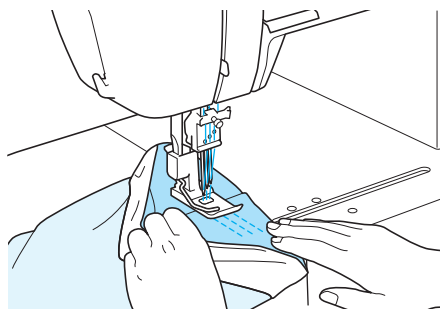
## Coser prendas con forma de tubo (por ejemplo, puños)

### ■ Sin costura de brazo libre

1. Levante el prensatelas, inserte la tela de la forma mostrada en la imagen, baje el prensatelas y empiece a coser.



2. Finalice la costura solapando unos 4 cm (1-1/2 de pulgada) al principio y al final de la puntada.



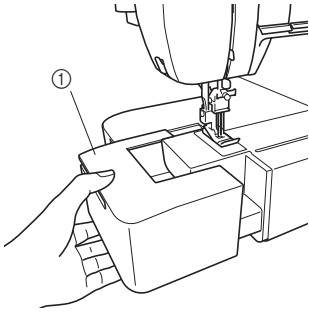
### NOTA:

*Cuando cosa prendas con forma de tubo, solapar el principio y el final de la costura unos 4 cm (1-1/2 de pulgada) impedirá que ésta se rasgue.*

3. Retire la tela de la forma indicada en las secciones “Retirar la tela de la máquina (Máquina recubridora)” y “Retirar la tela de la máquina (Máquina recubridora superior)” en las páginas 24 y 25.

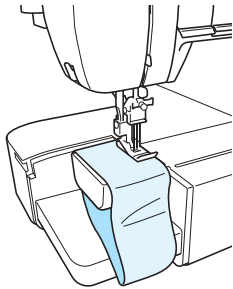
## ■ Con costura de brazo libre

1. Retire el suplemento para la mesa.



① Suplemento para la mesa

2. Coloque la tela y comience a coser.  
(Véase el CAPÍTULO 5.)



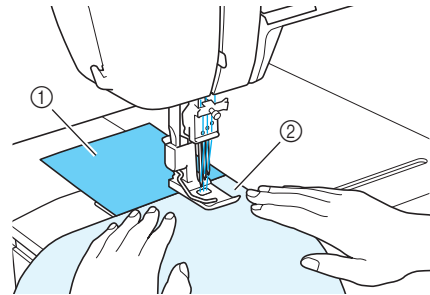
- (1) Levante el prensatelas, inserte la tela de la forma mostrada en la imagen, baje el prensatelas y empiece a coser.
- (2) Finalice la costura solapando unos 4 cm (1-1/2 de pulgada) al principio y al final de la puntada.

## Estabilizar el principio y el final de la costura

Para coser con el principio y el final de la costura estabilizados, finalice el principio y el final de la costura con un retal de 4 cm cuadrados, de la forma indicada a continuación.

### ■ Inicio de la costura

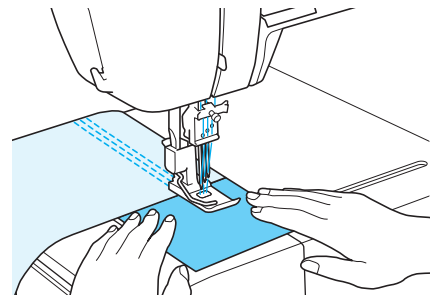
1. Levante el prensatelas e inserte el retal. Baje el prensatelas, gire manualmente la ruedecilla hacia usted unas cuantas veces y luego pise ligeramente el pedal para empezar a coser.
2. Cuando se acerque al final de la costura del retal, detenga la máquina. Inserte la tela de la forma mostrada en la imagen siguiente, y luego pise ligeramente el pedal para empezar a coser.



① Retal  
② Tela

### ■ Final de la costura

1. Cuando se acerque al final de la costura de la tela, deje de coser. Inserte el retal de la forma mostrada en la imagen siguiente, y luego termine de coser.
2. Cosa en el retal, detenga la máquina y utilice unas tijeras para cortar los hilos situados entre las telas y los retales.



# CAPÍTULO 7

## SOLUCIÓN DE PROBLEMAS

Esta máquina de coser está diseñada para que funcione sin problemas. No obstante, en la siguiente tabla se indican una serie de problemas que pueden producirse si no se definen correctamente los ajustes básicos.

Problema	Causa	Solución
1. No avanza	Poca presión en el prensatelas	Gire el tornillo de ajuste de la presión hacia la derecha para aumentar la presión del prensatelas. (Véase página 11.)
2. Las agujas se rompen	1. Agujas dobladas o despuntadas	Utilice una aguja nueva. (Véase página 12.)
	2. Agujas mal instaladas	Instale las agujas correctamente. (Véase página 12.)
	3. Se ha tirado del material con demasiada fuerza	No presione ni tire del material con demasiada fuerza durante la costura.
3. Los hilos se rompen	1. Enhebrado incorrecto	Enhebre correctamente. (Véanse páginas 15-18, 20.)
	2. Hilo enredado	Compruebe el portabobinas, los soportes del hilo, etc., y retire el hilo enredado.
	3. Hilo demasiado tenso	Ajuste la tensión del hilo. (Véanse páginas 11.)
	4. Agujas mal instaladas	Instale las agujas correctamente. (Véase página 12.)
	5. Se está usando una aguja incorrecta	Utilice una aguja correcta. 130/705H recomendada (Véase página 12.)
4. Se saltan puntadas	1. Aguja doblada o despuntada	Utilice una aguja nueva. (Véase página 12.)
	2. Aguja mal instalada	Instale la aguja correctamente. (Véase página 12.)
	3. Se está usando una aguja incorrecta	Utilice una aguja correcta. 130/705H recomendada (Véase página 12.)
	4. Enhebrado incorrecto	Enhebre correctamente. (Véanse páginas 15-18, 20.)
	5. Poca presión en el prensatelas	Gire el tornillo de ajuste de la presión hacia la derecha para aumentar la presión del prensatelas. (Véase página 11.)
5. Las puntadas no son uniformes	Las tensiones de los hilos no están ajustadas correctamente	Ajuste la tensión del hilo. (Véanse páginas 11.)
6. Arrugas en la tela	1. Hilo demasiado tenso	Disminuya la tensión del hilo cuando cose materiales ligeros o finos. (Véanse páginas 11.)
	2. Enhebrado incorrecto o hilo enganchado	Enhebre correctamente. (Véanse páginas 15-18, 20.)

# CAPÍTULO 8 MANTENIMIENTO

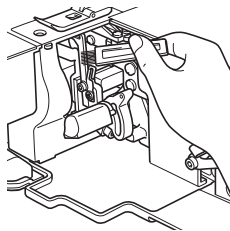
## Limpieza

### **⚠ PRECAUCIÓN**

Apague la máquina antes de limpiarla.

Gire la ruedecilla y mueva las agujas hacia abajo.

Limpie regularmente el polvo y los restos de tela e hilo con el cepillo limpiador incluido.





# ESPECIFICACIONES

## ■ Máquina recubridora

Uso	Materiales finos y gruesos
Velocidad de costura	1.000 puntadas por minuto como máximo
Anchura de las puntadas	6 mm / 3 mm
Longitud de las puntadas (paso)	De 2 mm a 4 mm (de 5/64 a 5/32 de pulgada)
Movimiento de la varilla	29 mm (1 1/8 pulgadas)
Prensateles	Tipo de prensateles libre
Elevación del prensateles	De 5 mm a 6 mm (de 3/16 a 15/64 de pulgada)
Aguja	SCHMETZ 130/705H (90/#14)
Número de agujas e hilos	Conmutable entre dos/tres/cuatro hilos Conmutable entre una/dos/tres agujas
Puntadas	Punto de cadeneta doble con una aguja y dos hilos Puntada ancha de recubrimiento con dos agujas y tres hilos (Ancha) (6 mm (15/64 de pulgada)) Puntada estrecha de recubrimiento con dos agujas y tres hilos (Estrecha) (3 mm (1/8 de pulgada)) Puntada triple de recubrimiento con tres agujas y cuatro hilos (6 mm (15/64 de pulgada))
Peso neto de la máquina	7,6 kg
Dimensiones de la máquina	396 mm (An) × 297 mm (Pr.) × 358 mm (Al) (Aprox. 16 (An) × 12 (Pr.) × 14 (Al) pulgadas)
Juego de agujas 130/705H	

## ■ Máquina recubridora superior

Uso	Materiales finos y gruesos
Velocidad de costura	1.000 puntadas por minuto como máximo
Anchura de las puntadas	6 mm / 3 mm
Longitud de las puntadas (paso)	De 2 mm a 4 mm (de 5/64 a 5/32 de pulgada)
Movimiento de la varilla	29 mm (1 1/8 pulgadas)
Prensateles	Tipo de prensateles libre
Elevación del prensateles	De 5 mm a 6 mm (de 3/16 a 15/64 de pulgada)
Aguja	SCHMETZ 130/705H (90/#14)
Número de agujas e hilos	Conmutable entre dos/tres/cuatro/cinco hilos Conmutable entre una/dos/tres agujas
Puntadas	Punto de cadeneta doble con una aguja y dos hilos Puntada ancha de recubrimiento con dos agujas y tres hilos (Ancha) (6 mm (15/64 de pulgada)) Puntada estrecha de recubrimiento con dos agujas y tres hilos (Estrecha) (3 mm (1/8 de pulgada)) Puntada triple de recubrimiento con tres agujas y cuatro hilos (6 mm (15/64 de pulgada)) Puntada ancha de recubrimiento superior con dos agujas y cuatro hilos (Ancha) (6 mm (15/64 de pulgada)) Puntada estrecha de recubrimiento superior con dos agujas y cuatro hilos (Estrecha) (3 mm (1/8 de pulgada)) Puntada triple de recubrimiento superior con tres agujas y cinco hilos (6 mm (15/64 de pulgada))
Peso neto de la máquina	7,6 kg
Dimensiones de la máquina	396 mm (An) × 297 mm (Pr.) × 358 mm (Al) (Aprox. 16 (An) × 12 (Pr.) × 14 (Al) pulgadas)
Juego de agujas 130/705H	





Please visit us at <http://support.brother.com/> where you can get product support and answers to frequently asked questions (FAQs).

Visítenos en <http://support.brother.com/> donde hallará consejos para la solución de problemas así como la lista de preguntas y respuestas más frecuentes.