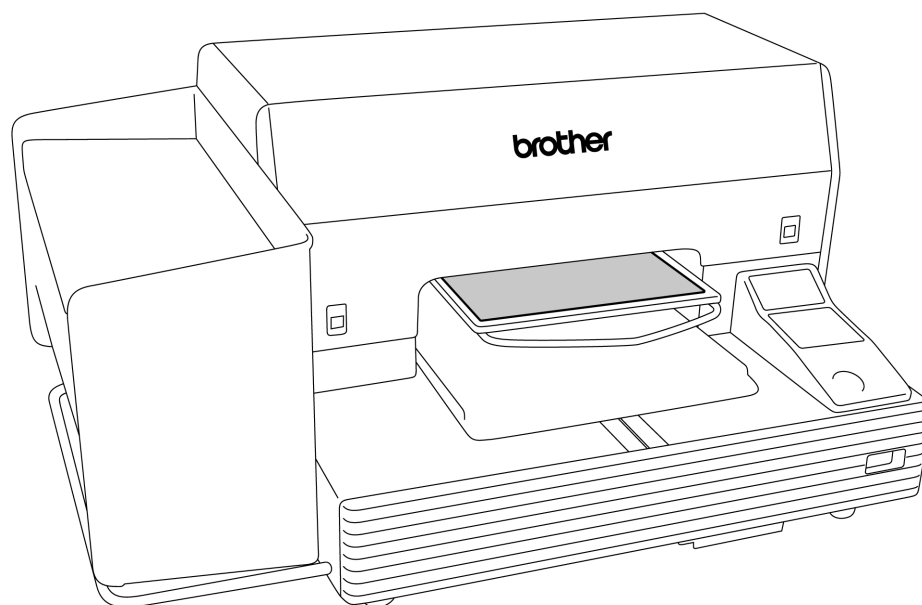


---

### GARMENT PRINTER

Please read this manual before using the printer.  
Please keep this manual within easy reach for quick reference.



---

**brother**<sup>®</sup>

**Note based on California law (USA) on the use and handling of Perchlorate**

This product contains a CR Coin Lithium Battery which contains Perchlorate Material – special handling may apply.

See <http://www.dtsc.ca.gov/hazardouswaste/perchlorate>.




Thank you very much for buying a BROTHER printer. Before using your new printer, please read the safety instructions below and the explanations given in the instruction manual.

## SAFETY INSTRUCTIONS







### [1] Safety indications and their meanings

This instruction manual and the indications and symbols that are used on the printer itself are provided in order to ensure safe operation of this printer and to prevent accidents and injury to yourself or other people. The meanings of these indications and symbols are given below.


#### Indications





 <b>DANGER</b>	The instructions which follow this term indicate situations where failure to follow the instructions will result in death or serious injury.
 <b>WARNING</b>	The instructions which follow this term indicate situations where failure to follow the instructions could result in death or severe injury.
 <b>CAUTION</b>	The instructions which follow this term indicate situations where failure to follow the instructions could cause injury when using the machine or physical damage to equipment and surroundings.

#### Symbols

-  . . . . . This symbol (  ) indicates something that you should be careful of. The picture inside the triangle indicates the nature of the caution that must be taken.  
(For example, the symbol at left means "beware of injury".)
-  . . . . . This symbol (  ) indicates something that you must not do.
-  . . . . . This symbol (  ) indicates something that you must do. The picture inside the circle indicates the nature of the thing that must be done.  
(For example, the symbol at left means "you must make the ground connection".)

### [2] Notes on safety

 <b>DANGER</b>
 Wait at least 5 minutes after turning off the power switch and disconnecting the power cord from the wall outlet before opening the cover of the control unit. Do not touch as high voltage can result in severe injury.

 <b>WARNING</b>	
<b>Basic precautions</b>	
 Do not disassemble or modify the printer, otherwise it may cause fire or electric shocks or problems with correct operation.	 Do not handle the power cord with wet hands, otherwise it may cause electric shocks.
 Ask the place of purchase or a qualified technician to carry out any internal inspections, adjustments or repairs that may be required.  (Any problems with correct operation that occur as a result of the customer attempting to disassemble or modify the printer will not be covered by the warranty.)	

## **WARNING**

### **Installation**



Do not set up the printer in a dusty environment. If dust collects inside the printer, it may cause fire or electric shocks or problems with correct operation.



Do not bend the cords excessively or fasten them too hard with staples or anything similar to secure cords, otherwise there is the danger that fire or electric shocks could occur.



Be sure to connect the ground. If the ground connection is not secure, you run a high risk of receiving a serious electric shock, and problems with correct operation may also occur.

### **Printing**



If a foreign object gets inside the printer, immediately turn off the power switch and disconnect the power cord, and arrange for a service call to resolve.



If you continue to use the printer while there is a foreign object inside, it may result in fire or electric shocks or problems with correct operation.



Do not allow water or oil to get onto the printer, otherwise it may cause fire or electric shocks or problems with correct operation.



If any liquids get onto the printer, immediately turn off the power switch and disconnect the power cord, and arrange for a service call to resolve.



Do not use the printer when smoke or a bad odor coming from the printer, otherwise it may cause fire or electric shocks or problems with correct operation.



Immediately turn off the power switch and disconnect the power cord, and arrange for a service call to resolve.

### **Maintenance**



Do not put your hands in the ink cartridge slot, otherwise the needle inside the slot may cause injury.

## **CAUTION**

### **Environmental requirements**



Use the printer in an area which is free from sources of strong electrical noise such as electrical line noise or static electric noise. Sources of strong electrical noise may cause problems with correct operation.



Any fluctuations in the power supply voltage should be within  $\pm 10\%$  of the rated voltage for the printer. Voltage fluctuations which are greater than this may cause problems with correct operation.



The power supply capacity should be greater than the requirements for the printer's power consumption. Insufficient power supply capacity may cause problems with correct operation.



The ambient temperature should be within the range of 15°C to 30°C during use. Temperatures which are lower or higher than this may cause problems with correct operation.



The relative humidity should be within the range of 20% to 85% during use, and no dew formation should occur in any devices. Excessively dry or humid environments and dew formation may cause problems with correct operation.










Use the printer in a place which is adequately ventilated. A slight odor is generated when the printed articles are being fixed by heat.









In the event of an electrical storm, turn off the power and disconnect the power cord from the wall outlet. Lightning may cause problems with correct operation.

## CAUTION







### Installation

-  Setting up and moving of the printer should only be carried out by a qualified technician.
-  The printer machine weighs approximately 100 kg. Transporting and setting up of the printer should be carried out by four or more people.
-  The machine must be transported using the correct handling points only. Do not use the cartridge housings to move the machine. The machine may fall down and cause injury.
-  The printer must be used on a suitable stable surface, otherwise it may tip over or fall down and cause injury. Furthermore, the table that supports the printer should be at least 100 cm in width and 80 cm in depth, and should be able to bear a weight of 150 kg or more.
-  Do not set up the printer in a place where it will be affected by vibration. It may become unbalanced and fall down, which cause injury or damage to the printer.
-  Do not connect the power cord until setup is complete, otherwise the printer may operate if the power switch is turned on by mistake, which could result in injury.
-  Do not climb onto the printer or place heavy objects on top of it, otherwise it may become unbalanced and tip over or fall down and cause injury.

### Printing

-  This printer should only be used by operators who are appropriately trained in its operation.
-  Ensure there is adequate space left for safe working. The Platen moves forward while operating and it may be injured.
-  Do not handle the platen while printing. If your hand gets caught between the platen or the T-shirt tray and the covers, it may be injured.
-  Do not move the Platen by hand. The Printer may be mechanically and electrically damaged.
-  Do not put your hands inside the covers while the printer's power is turned on, otherwise your hands may touch against moving parts and this may result in injury.
-  When a problem occurs with the operation of the printer, contact the place of purchase or a qualified technician.

### Maintenance

-  Wait at least 1 minute after turning off the power switch before opening the front cover. Do not touch the head heat sink as it may be HOT and may cause a burn.
-  Be careful not to get your fingers caught when closing the front cover, otherwise it may result in injury to your fingers.
-  Do not move the Platen by hand. The Printer may be mechanically and electrically damaged.
-  Do not disassemble the ink cartridge or the waste ink cartridge.
-  Take care not to let the ink, waste liquid or wash liquid come into contact with your eyes or onto your skin, otherwise inflammation can result. In case of contact with eyes, do not rub but immediately rinse the eyes with water. Furthermore, do not drink the ink, waste liquid or wash liquid under any circumstances, as they can cause vomiting and diarrhea. Keep the ink, waste liquid and wash liquid out of the reach of children.
-  Use only the proper replacement parts as specified by Brother.

### [3] Warning labels

The following warning labels appear on the printer.

Please follow the instructions on the labels at all times when using the printer. If the labels have been removed or are difficult to read, please contact your nearest Brother dealer.

**1**

	<b>▲ 危険 ▲ 危険</b> 高電圧部分にふれて、大けがをする ことがある。電源を切り、5分たつて からカバーをはずすこと。 触摸高圧電部分、会导致受伤。 在切断电源5分钟后、 再开启盖罩。
<b>▲ DANGER ▲ GEFAHR ▲ DANGER ▲ PELIGRO</b>	
Hazardous voltage will cause injury. Turn off main switch and wait 5minutes before opening this cover.	Hochspannung verletzungsgefahr! Bitte schalten sie den hauptschalter aus und warten sie 5 minuten, bevor sie diese abdeckung öffnen.
Un voltage non adapte provoque des blessures. Eteindre l'interrupteur et attendre 5 minutes avant d'ouvrir le capot.	Un voltaje inadecuado puede provocar las heridas. Apagar el interruptor principal y esperar 5 minutos antes de abrir esta cubierta.

**2**

Watch your fingers, or you may be injured.

**3**

	<b>▲ 警告 ▲ WARNING ▲ WARNUNG</b> 内部の針でけがをする恐れがある。 カートリッジ口の内部に手を 入れない。 Nadeln im inneren kann Verletzungen verursachen. Führen Sie die Hände nicht in den Tinte Kartuschen Schütz ein.
<b>▲ AVERTISSEMENT ▲ AVISO ▲ AVVERTENZE</b>	
L'aiguille à l'intérieur peut blesser. Ne pas mettre la main dans l'emplacement de cartouche.	La aguja interior puede causar heridas. No ponga las manos en la ranura de cartucho de tinta.
	La presenza di aghi può causare infortuni. Non infilare le mani nella fessura delle cartucce.

**4**

High temperature warning display

**5**

	<b>▲ 注意</b> プラテンやTシャツトレイと各カバーとの間に手をはさみ、けがをする。 印刷中はプラテンから手を離すこと。 <b>▲ CAUTION</b> Moving platen, T-shirt tray and covers can cause bodily injury. Keep hands off platen while printing. <b>▲ ACHTUNG</b> Druckplatte, T-Shirt-Ablage und Abdeckungen können körperliche Verletzungen verursachen. Halten Sie die Hände von der Auflage während des Druckvorganges fern. <b>▲ ATTENTION</b> Déplacement du plateau, chargeur T-shirt et couvercle peut blesser le corps. Garder les mains éloignées lors de l'impression. <b>▲ ATENCION</b> Moviendo la placa, la bandeja de camiseta y las cubiertas pueden causar una herida personal. Retire las manos de la placa durante la impresión. <b>▲ ATTENZIONE</b> Tavoletta mobile, il ripiano per la T-shirt ed il carter potrebbero causare infortuni. Tenere le mani lontane dalla tavoletta durante la stampa.
--	-------------------------------------------------------------------------------------------------------------------------------------------------------------------------------------------------------------------------------------------------------------------------------------------------------------------------------------------------------------------------------------------------------------------------------------------------------------------------------------------------------------------------------------------------------------------------------------------------------------------------------------------------------------------------------------------------------------------------------------------------------------------------------------------------------------------------------------------------------------------------------------------------------------------

**6**

<b>▲ 注意</b> 炎症を起こす可能性がある。廃液が目や皮膚に付かないようにすること。 下痢・おう吐する可能性がある。廃液を飲まないこと。 子供の手の届かないところに置くこと。
<b>▲ CAUTION</b> Waste liquid can cause inflammation. Avoid contact with eyes and skin. Waste liquid can cause vomiting and diarrhea. Do not drink. Keep waste ink cartridge out of reach of children.
<b>▲ ACHTUNG</b> Rest Flüssigkeit kann Entzündung verursachen. Vermeiden Sie Kontakt mit Augen und Haut. Rest Flüssigkeit kann das Erbrechen und Diarrhöe verursachen. Trinken Sie diese nicht. Halten Sie den Rest Tinte Behälter aus Reichweite Ihrer Kinder.
<b>▲ ATTENTION</b> Liquide déchet peut causer une inflammation. Eviter contact avec les yeux et la peau. Liquide déchet peut provoquer vomissement et diarrhée. Ne pas boire. Garder cartouche déchet d'encre hors de portée des enfants.
<b>▲ ATENCION</b> El líquido de desecho puede causar inflamación. Evitar el contacto con los ojos y la piel. El líquido de desecho puede causar vómito y diarrea. No ingerir. Guarde el cartucho de tinta gastada fuera del alcance de niños.
<b>▲ ATTENZIONE</b> Il liquido di scarto può causare infiammazioni. Evitare il contatto con gli occhi e con la pelle. Il liquido di scarto può causare vomito e diarrea. Non bere. Tenere la cartuccia dell'inchiostro di scarto lontano dalla portata dei bambini.

**7**

<b>▲ 注意</b> 炎症を起こす可能性がある。廃液が目や皮膚に付かないようにすること。 下痢・おう吐する可能性がある。廃液を飲まないこと。 子供の手の届かないところに置くこと。	<b>▲ CAUTION</b> Ink can cause inflammation. Avoid contact with eyes and skin. Ink can cause vomiting and diarrhea. Do not drink. Keep ink cartridge out of reach of children.	<b>▲ ACHTUNG</b> Die Tinte kann Entzündungen verursachen. Vermeiden Sie Kontakt mit Augen und Haut. Tinte kann das Erbrechen und Diarrhöe verursachen. Trinken Sie diese nicht. Halten Sie die Tintenpatrone aus der Reichweite Ihrer Kinder.
<b>▲ ATTENTION</b> L'encre peut provoquer inflammation. Eviter le contact avec les yeux et la peau. L'encre peut provoquer vomissement et diarrhée. Ne pas boire. Garder les cartouches d'encre éloignées des enfants.	<b>▲ ATENCION</b> La tinta puede causar inflamaciones. Evite el contacto con los ojos y la piel. Puede causar diarrea y vómito. No ingerir. Mantenga los cartuchos de tinta fuera del alcance de los niños.	<b>▲ ATTENZIONE</b> L'inchiostro può causare infiammazioni. Evitare il contatto con occhi e pelle. L'inchiostro può causare vomito e diarrea. Non bere. Tenere le cartucce di inchiostro lontano dalla portata dei bambini.

**8**

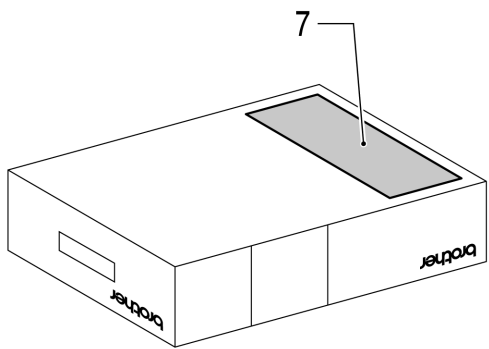
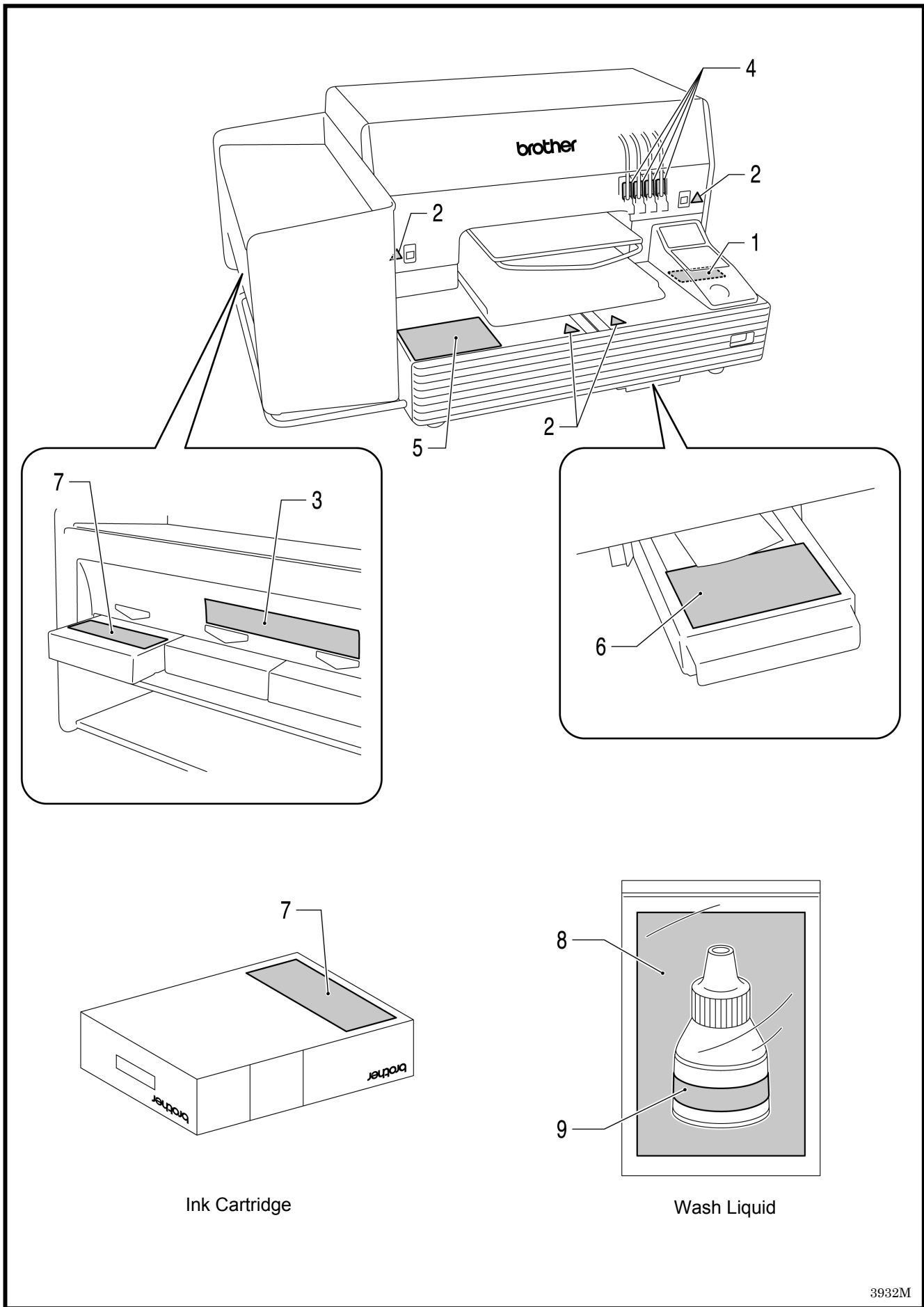
**brother** 5cc

ウォッシュ液 / Wash Liquid  
Reinigungsflüssig / Liquide nettoyage  
Líquido de lavar / Liquido detergente

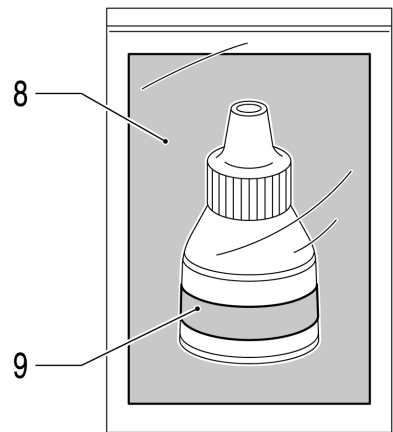
<b>▲ 注意</b> 下痢・おう吐する可能性がある。廃液を飲んではいけません。 目に入った場合は、擦らずに、直ちに水で洗い流すこと。
<b>▲ CAUTION</b> Wash liquid can cause vomiting and diarrhea. Do not drink. In case of contact with eyes, do not rub but immediately rinse the eyes with water.
<b>▲ ACHTUNG</b> Reinigungsflüssigkeit kann das Erbrechen und Diarrhöe verursachen. Trinken Sie diese nicht. Sollte es zum Kontakt mit Augen kommen, reiben Sie diese nicht, spülen Sie aber sofort die Augen mit Wasser aus.
<b>▲ ATTENTION</b> Liquide de nettoyage peut provoquer vomissement et diarrhée. Ne pas boire. En cas de contact avec les yeux, ne pas frotter mais rincer abondamment les yeux à l'eau.
<b>▲ ATENCION</b> El líquido de lavar puede causar vómito y diarrea. No ingerir. En caso del contacto con los ojos, láveselos inmediatamente con agua abundante sin frotar.
<b>▲ ATTENZIONE</b> Il liquido detergente può causare vomito e diarrea. Non bere. In caso di contatto con gli occhi, non strofinarli ma lavare immediatamente gli occhi con acqua.

**9**

	飲んではいけません。 / Do not drink. Trinken Sie nicht. / Ne pas boire.	<b>brother</b>
	No ingerir. / Non bere.	



Ink Cartridge



Wash Liquid

## Table of Contents

1. Read This First.....	1
1-1. Precautions .....	1
1-2. Unpacking Your Printer.....	3
1-3. Required Condition.....	4
1-3-1. Environment .....	4
1-3-2. Electrical Requirements.....	4
1-3-3. Software Information.....	4
1-3-4. Other Requirements .....	5
1-3-5. Consumable Requirements .....	5
2. Identifying Your Printer's Parts.....	6
2-1. Front.....	6
2-2. Left .....	7
2-3. Right.....	7
2-4. Rear .....	8
2-5. Inside of the Front Cover.....	9
2-6. Under the Platen.....	10
2-7. Control Panel .....	11
2-7-1. Indication Lamps .....	12
2-7-2. Display .....	13
3. Getting Started.....	14
3-1. Placing Your Printer .....	15
3-2. Turning On/Off Your Printer.....	16
3-2-1. Turning On Your Printer .....	16
3-2-2. Turning Off Your Printer .....	16
3-3. Preparing Your PC.....	17
3-3-1. PC preparation: For Windows XP / 2000 (32 bit).....	17
3-3-2. Connection with USB 2.0 Cable: for Windows XP.....	18
3-3-3. Connection with USB 2.0 Cable: for Windows 2000.....	21
3-3-4. Opening the installed manuals.....	22
3-3-5. Installing Useful Tools.....	23
3-3-6. Installation of PC for Windows Vista / Windows 7 (32 bit / 64 bit).....	23
3-4. Setting Up Your Printer .....	26
3-4-1. Adjusting the Display Contrast .....	26
3-4-2. Adjusting the Speaker Volume .....	26
3-4-3. Language.....	27
3-4-4. Temperature .....	27
4. Printing Directly from Applications .....	28
4-1. Basic Printing Procedure.....	29
5. Maintenance .....	30
5-1. Replacing Consumables.....	31
5-1-1. Replacing the Ink Cartridge .....	31
5-1-2. Replacing the Wiper Cleaner .....	32
5-1-3. Replacing the Waste Ink Cartridge .....	37
5-1-4. Replacing the Platen Sheet.....	39



# 1. Read This First

## 1-1. Precautions

Please observe the following precautions before using your printer.

- Please advise the following to customers.  
Printed colors may transfer when a printed surface rubs on a white or light-colored synthetic leather made of PVC (polyvinyl chloride). In that case, clean the stains with a soft cloth or toothbrush with a household cleaner or alcohol.
- The machine is designed to be used within the temperature and humidity levels below. Less humidity may cause ink clogging in Print Head nozzles.

	Temperature	Humidity
Keeping your printer	32 °F to 104 °F (0 °C to 40 °C)	20 % to 85 % (no condensation)
Operating your printer	50 °F to 95 °F (10 °C to 35 °C)	
For the best print result	59 °F to 86 °F (15 °C to 30 °C)	35 % to 85 % (no condensation)

- Do not pull out Ink Cartridge(s) during the operation; it may result in poor print quality or cause damage to your printer.
- Do not turn off your printer, or open the Front Cover during the operation; otherwise the printer may be damaged or spoil the print job.
- Be careful in handling a printed T-shirt that has not yet fixed by heat. Ink is difficult to wash from stained clothes.
- When you replace Yellow Ink Cartridge, replace Wiper Cleaner and clean the Head Caps and Wiper Blade at the same time. This regular treatment helps you to keep your printer in good condition. If not, it may cause poor print quality or your printer may be damaged.
- Never use alcohol when you clean Head Caps and Wiper Blade; it will cause damage to the Print Heads. Use Wash Liquid.
- Install the Ink Cartridges in the correct positions as shown. Confirm both the colors of labels on your printer and the Ink Cartridges.
- When the ink cartridge is used your printer will show "empty" status. At this point you will need to replace with a new Ink Cartridge. A small amount of ink remains to avoid damage to your printer.
- New consumables should be stored away from direct sunlight until they are required. Use up within six months by the date written on the cartridge.

## 1. Read This First

- Never refill ink, never reconstruct ink cartridges; ink may cohere inside the cartridge bag, tube or even Print Head and may cause serious damage to your printer. We assume no responsibility for any problem caused by using them. Only genuine new ink cartridges should be used.
- The ink cartridges should always be installed; otherwise the needles may stop up with ink and your printer may be damaged.
- If the printer is unused for a period of time there is a possibility that Print Heads may become blocked as ink dries. To avoid this, we recommend that the printer should be turned on at least once a week and press the Head Cleaning Button to clean the Print Head. If you are planning not to use your printer for more than two weeks, follow "6-1-5. Required Maintenance for the Long Storage" to prevent ink clogging.

*<Note> Only for the use in the United States*

*This device complies with Part 15 of the FCC Rules. Operation is subject to the following two conditions: (1) this device may not cause harmful interference, and (2) this device must accept any interference received, including interference that may cause undesired operation.*

*<Note>*

*Product names used in this manual are, in general, trademarks or registered trademarks of their respective developer or manufacturer. However, in this manual, the © marks or <sup>TM</sup> marks are not used. Microsoft and Windows are either registered trademarks of Microsoft Corporation in the United States and/or other countries.*

*Corel, CorelDRAW and Paint Shop Pro are registered trademarks of Corel Corporation.*

*Adobe, Adobe Photoshop, Adobe Illustrator and Adobe Photoshop Elements are either registered trademarks of Adobe Systems Incorporated in the United States and/or other countries.*

*CompactFlash is a trademark of SanDisk Corporation.*

*Beefy-T is a trademark of Hanes Corporation.*

*Other product and company names mentioned herein may be the trademarks or registered trademarks of their respective owners.*

*Screen shots used in this document are in accordance with the guidelines of Microsoft Corporation.*

## 1-2. Unpacking Your Printer

<Note>

*Your printer must be unpacked by a Brother representative or a Brother authorized shipping company.*

After unpacking, check that the following parts are included.

Contact Brother Customer Service Hot Line if any of these is missing.

- GT-541 Printer
- Rear Cover
- 4 Print Heads
- Install CD
- AC cord, UL/CSA 13A
- Ink Cartridges:  
Ink GC-50K (black), Ink GC-50M (magenta), Ink GC-50C (cyan), and Ink GC-51Y (yellow)
- Nozzle Cleaning Kit
- Basic Operation Manual
- "How to uncrate" Manual

<Note>

*Four Filter Cartridges are installed in the Ink Cartridge Slots. Keep them since they should be used for maintenance & transport operations.*

### 1-3. Required Condition

Please use your printer under the conditions described in this section.

#### 1-3-1. Environment

	Temperature	Humidity
Keeping your printer	32 °F to 104 °F (0 °C to 40 °C)	20 % to 85 % (no condensation)
Operating your printer	50 °F to 95 °F (10 °C to 35 °C)	
For the best print result	59 °F to 86 °F (15 °C to 30 °C)	35 % to 85 % (no condensation)

If your room is dry, we recommend using a humidifier to avoid Print Heads from clogging with dried ink.

#### 1-3-2. Electrical Requirements

**Power:**

120 V, 50/60 Hz (USA)

230 V, 50/60 Hz (Europe)

100 V, 50/60 Hz (Japan)

**Power Consumptions:**

0.8 A (average)

#### 1-3-3. Software Information

**Supported OS:**

Latest Windows 2000 Professional, Windows XP (32 bit), Windows Vista (32 bit / 64 bit),  
Windows 7 (32 bit / 64 bit)

**Supported Interface:**

USB 1.1/ 2.0

**Minimum System Requirements:**

256 MB RAM (512 MB or more is recommended),

128 MB free disk space (256 MB or more is recommended),

1 GHz CPU (2 GHz or more is recommended.)

**Recommended Applications for precise output:**

Adobe Photoshop, Adobe Photoshop Elements, Paint Shop Pro (for BMP editing)

Adobe Illustrator, CorelDRAW (for Vector Data editing)

### 1-3-4. Other Requirements

When purchasing optional tools, choose one that meets the following requirements.

**USB cable:**

USB 2.0-compliant device cable (A/B)

<Note>

*Using other USB 2.0-compliant device cable may result in improper connection.*

**CompactFlash:**

Type I Memory Card, Capacity of 64 MB to 2 GB,

FAT16 formatted,

SanDisk CompactFlash is recommended.

**Heat Press:**

Must be able to handle the Platen 14 x 16, and maintain heat production of 356 °F (180 °C) for 35 seconds.

**T-shirt:**

White or light-colored

Made with 100 % cotton, or 50 % cotton and 50 % polyester

“Hanes Beefy-T” is recommended.

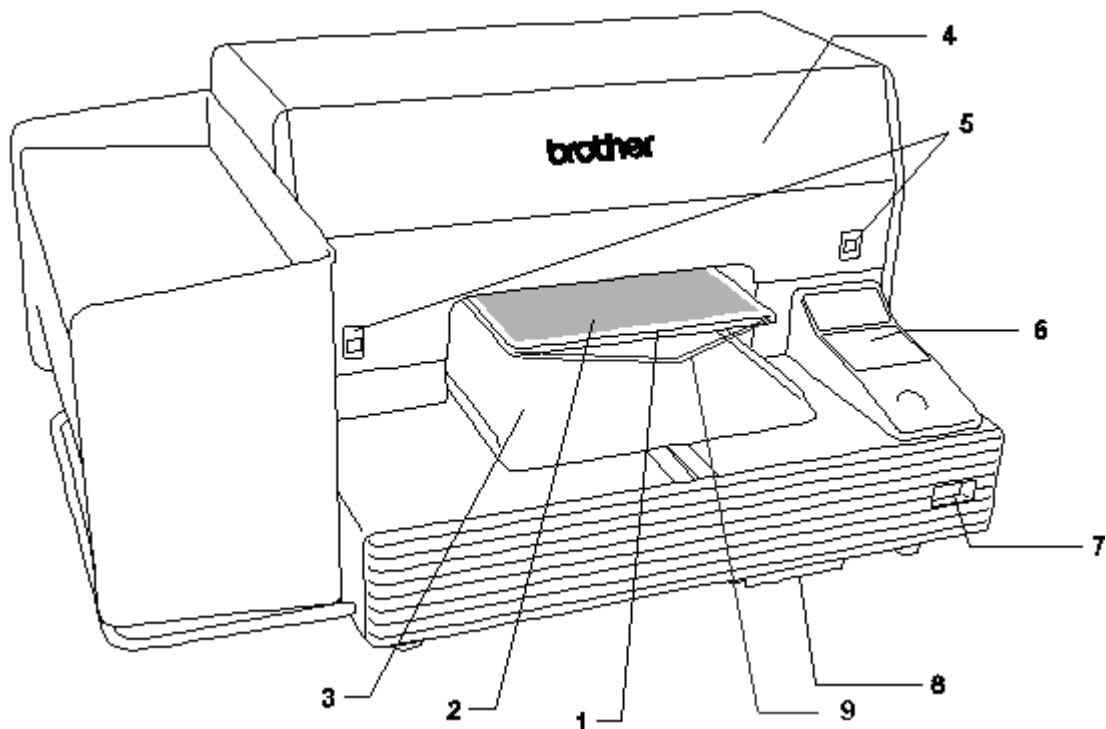
### 1-3-5. Consumable Requirements

For ordering new or replacement items please use the codes below.

Consumable	Item Code
Black Ink Cartridge	GC-50K
Magenta Ink Cartridge	GC-50M
Cyan Ink Cartridge	GC-50C
Yellow Ink Cartridge	GC-51Y
Waste Ink Cartridge	SA5629
Cap Cleaning Kit	SA5774
Nozzle Cleaning Kit	SA5885
Platen Sheet	SA5620
Platen Sheet S	SA6401
Platen Sheet SS	SA8211
Wash Liquid	SA6248

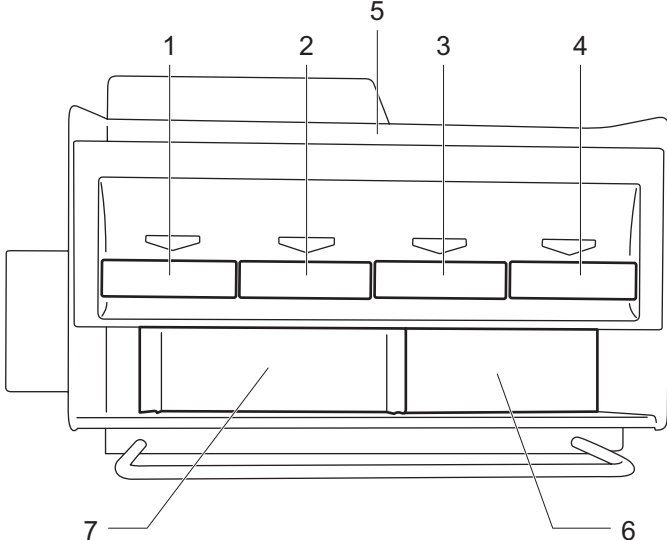
## 2. Identifying Your Printer's Parts

### 2-1. Front



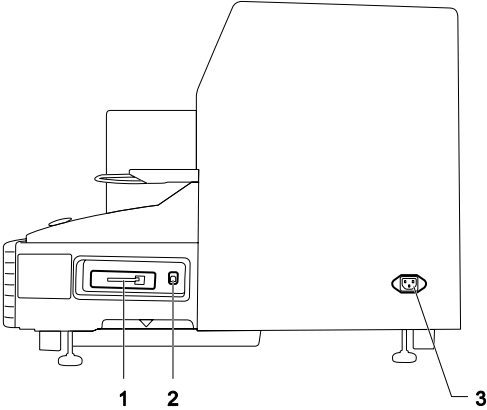
No.	Name	Description
1	Platen	Holds the T-shirt to be printed.
2	Platen Sheet	Prevents a T-shirt from slipping so that an image is printed on your desired position.
3	T-shirt Tray	Keeps parts of T-shirt hanging from the Platen (e.g. sleeves) on this T-shirt Tray.
4	Front Cover	Open this to work on the inside of your printer.
5	Cover Locks	Push this up to open the Front Cover.
6	Control Panel	Use this to operate your printer. See "2-7. Control Panel" for the details.
7	Power Switch	Turns on/off your printer.
8	Waste Cartridge Tray	Contains the Waste Ink Cartridge.
9	Shoulder Bar	Adjusts the T-shirt position.

**2-2. Left**



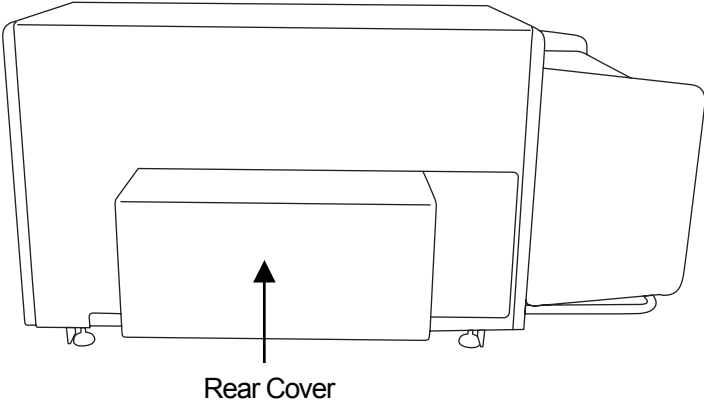
No.	Name	Description
1	Black Ink Cartridge Slot	Load an Ink Cartridge of the appropriate color.
2	Magenta Ink Cartridge Slot	
3	Cyan Ink Cartridge Slot	
4	Yellow Ink Cartridge Slot	
5	Ink Cartridge Storage	Store the new Ink Cartridges.
6	Cleaning Tool Storage	Store the Cleaning Kits.
7	Filter Cartridge Storage	Store the four Filter Cartridges.

**2-3. Right**



- 1. CompactFlash slot
- 2. USB port
- 3. Power cord socket

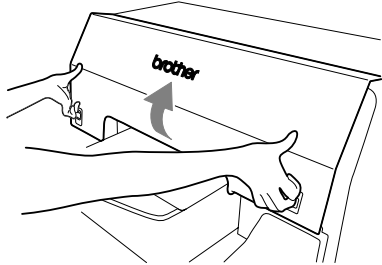
**2-4. Rear**



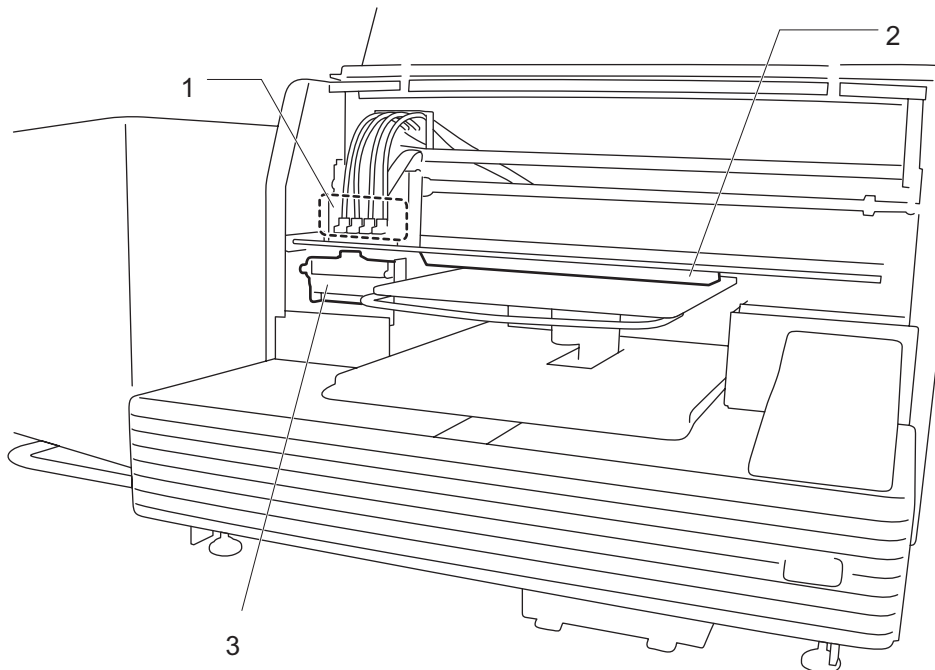


## 2-5. Inside of the Front Cover

Cancel any operation and turn off your printer before opening the Front Cover.  
 Open the Front Cover by pushing up the Cover Locks with both hands.



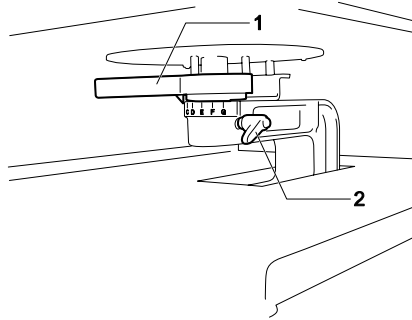
<Note> If you open the Front Cover while operating, the power automatically turns off.



No.	Name	Description
1	Print Heads	Jets the ink to the platen. From the left black, magenta, cyan, and yellow.
2	Obstruction Sensor	Cancels an operation for safety, if it detects obstructions on the Platen.
3	Wiper Cleaner Cassette	Contains the Wiper Cleaner.

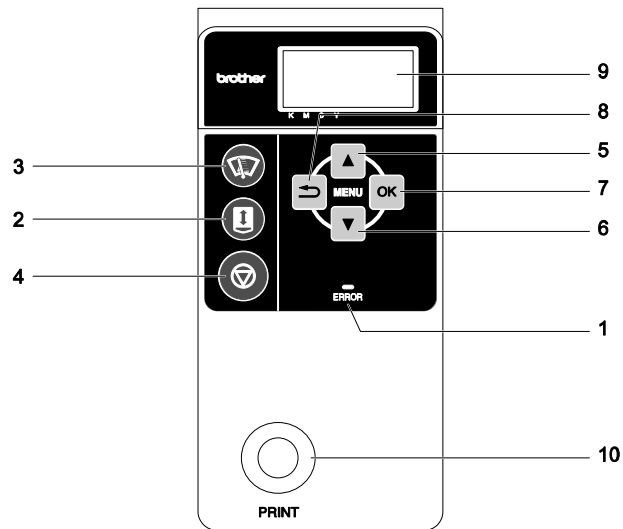
---

## 2-6. Under the Platen



No.	Name	Description
1	Platen Height Adjustment Lever	Adjusts the Platen height. Leftmost "A" is the normal T-shirt position. Check the exact height with Platen Button on Control Panel when you print on thicker material.
2	Platen Fixing Lever	Fixes the Platen. Tighten/Loosen this lever to install/uninstall the Platen and to adjust the Platen height.

## 2-7. Control Panel



No.	Name	Description
1	Error Lamp	Indicates errors or warnings. See "2-7-1. Indication Lamps" for the details.
2	Platen Button	Loads / Ejects the Platen.
3	Head Cleaning Button	Cleans the Print Heads. See "7-2-2. Cleaning the Print Heads" in the Instruction Manual for the details.
4	Stop Button	Cancels printing or Print Head cleaning. Returns to Standby mode.
5	Up Button	Selects the previous (upper) item. Increases a numeric value. Opens the Menu display.
6	Down Button	Selects the next (lower) item. Decreases a numeric value. Opens the Menu display.
7	OK Button	Executes the selected command. Opens the Menu display. Clears the error status.
8	Back Button	Returns to the previous display. Opens the Menu display.
9	Display	Displays the Job Comment of the print data received, the status of the printer, and the menu items for various settings.
10	Print Button	Starts printing operation.

### 2-7-1. Indication Lamps

The lamps on the control panel indicate the status of your printer as shown below.

Lamp	Printer Status
Print Button	Off: No print data has been received.
	Flashing: Receiving a print data.
	On: Printing data has been received.
Error Lamp	Off: No error is detected.
	On: One or more errors have been detected (See "7-4. Error Messages" in the Instruction Manual for the details).

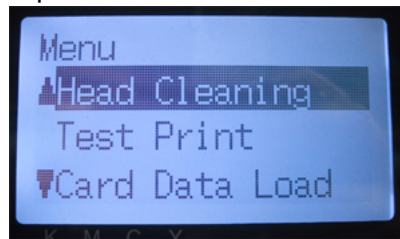
<Note>

*On machine initialization these lamps have a 30 second self check time.*

### 2-7-2. Display

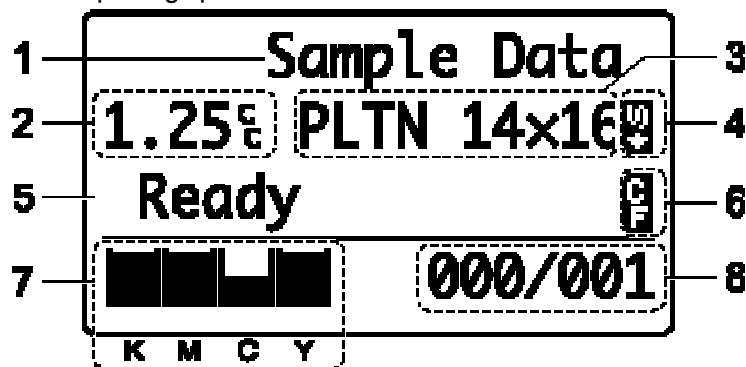
#### Menu Display:

This display is used to select an operation for maintenance or setting up.



#### Job/ Status Display

When your printer has received a print data, it shows the Job/ Status Display: it displays the information needed for printing operations.


















No.	Item Shown	Description
1	Job Comment	Shows the last 17 characters of a received data.
2	Amount of Ink Required	Shows how much ink (cc) is required for making one print of the received data. Shows warning message(s) if necessary.
3	Platen Size	Shows Platen Size set by Printer Driver.
4	Double Print Icon	Appears when "Double Printing" is checked.
5	Printer Status	Shows the printer status.
6	CF Icon	Appears when a CompactFlash card is inserted.
7	Amount of Ink Remained	Shows amount of ink remained in each cartridge (from the left, <K (Black)>/ <M (Magenta)>/ <C (Cyan)>/ <Y (Yellow)>). It flashes when ink is low.
8	Number of Print	Shows "Number of prints completed"/ "Total number of prints set by Printer Driver".

<Note> When one or more errors are detected, error message(s) will be displayed instead.

### 3. Getting Started

Before using your printer, it needs to be correctly setup as described in this chapter.

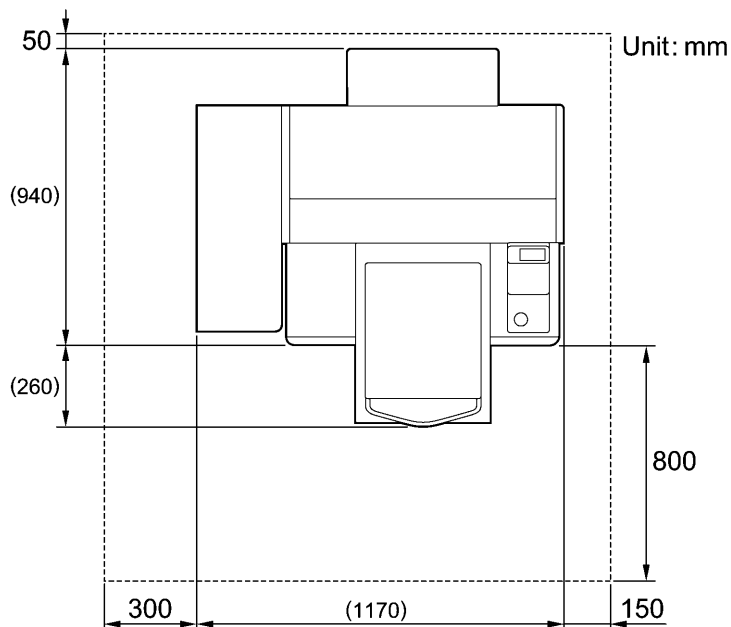
 <b>WARNING</b>	
	Do not handle the power cord with wet hands, otherwise it may cause electric shocks.
 	Do not set up the printer in a dusty environment. If dust collects inside the printer, it may cause fire or electric shocks or problems with correct operation.
	Be sure to connect the ground. If the ground connection is not secure, you run a high risk of receiving a serious electric shock, and problems with correct operation may also occur.
 	Do not bend the cords excessively or fasten them too hard with staples or anything similar to secure cords, otherwise there is the danger that fire or electric shocks could occur.

 <b>CAUTION</b>	
	Setting up and moving of the printer should only be carried out by a qualified technician.
	The printer machine weighs approximately 100 kg. Transporting and setting up of the printer should be carried out by four or more people.
	The machine must be transported using the correct handling points only. Do not use the cartridge housings to move the machine. The machine may tip over or fall down and cause injury.
	The printer must be used on a suitable stable surface, otherwise it may tip over or fall down and cause injury. Furthermore, the table that supports the printer should be at least 100 cm in width and 80 cm in depth, and should be able to bear a weight of 150 kg or more.
	Do not set up the printer in a place where it will be affected by vibration. It may become unbalanced and fall down, which cause injury or damage to the printer.
	Do not connect the power cord until setup is complete, otherwise the printer may operate if the power switch is turned on by mistake, which could result in injury.
	Do not climb onto the printer or place heavy objects on top of it, otherwise it may become unbalanced and tip over or fall down and cause injury.

### 3-1. Placing Your Printer

Locate your printer taking the following into account

- Environmental conditions are suitable.
- Avoid direct sunlight, dust and extremes of humidity.
- Never use an extension cable.
- A working space must be left around the printer.  
Minimum space of 80 cm on the front, 5 cm on the rear, 30 cm on the left side (for ink cartridges) and 15 cm on the right side (for CF card, USB and power code).  
Body size is about 120 cm x 95 cm x 60 cm . See the figure below.
- Put your printer on a stable and flat table, at least 100 cm in width, 80 cm in depth, which should be able to bear a weight of 150 kg or more.



## 3-2. Turning On/Off Your Printer

<Note>

Before you connect the power cord, make sure:

- The Ink Cartridges, Waste Cartridge Tray, and Wiper Cleaner Cassette are installed.
- The Rear Cover is mounted.
- Keep the front space as the Platen slides out approximately 30 cm (12 inches) when operating.

### 3-2-1. Turning On Your Printer

- (1) Connect the power cord (included) to the power cord socket of your printer.
- (2) Connect the power plug to the power outlet.  
Ensure the printer is connected to a suitable earth point
- (3) Press the Power Switch to turn on your printer.  
Your printer turns on, displays "Welcome to GT-541", and lights up the Error Lamp and the Print Button while initializing.  
The initialization requires approx. 40 seconds and will indicate when it is completed.  
When the installation finishes, the machine enters standby mode.

### 3-2-2. Turning Off Your Printer

When you have finished using your printer, follow the instructions below to turn it off.

- (1) Make sure that your printer is "standby" or "ready" mode.
- (2) Select "Platen Reset" in Menu or press Platen Button to store the Platen.
- (3) Press Power Switch to turn off your printer.
- (4) If you are planning not to use your printer for over-two-week periods of time, disconnect the power plug from the power outlet.

<Note>

- Do not turn off your printer when it is operating. It may cause serious damage to your printer. If you turn off your printer accidentally during the operation, immediately restart it, and then turn it off correctly following the steps described in this section.
- If the printer is unused for a long time we recommend turning on your printer once a week and press the Head Cleaning Button to clean the Print Head. This ensures the ink is kept free flowing. If you are planning not to use your printer for more than two weeks, follow "6-1-5. Required Maintenance for the Long Storage" in Instruction Manual (PDF) to prevent ink clogging.



---

### 3-3. Preparing Your PC

This section describes how to install the GT-541 Printer Driver (File Output), manuals (Basic Operation Manual/ Instruction Manual), Brother GT File Viewer, and other tools. Make sure the steps because there are some different dialogs shown by Windows OS.

After those installations are over, install GT-541 Printer Driver (USB) by connecting USB 2.0 cable.

#### 3-3-1. PC preparation: For Windows XP / 2000 (32 bit)

***Do not connect the printer to the PC at this stage.***

*<Note>*

*You must be logged on with Administrator rights on the PC.*

- (1) Turn on your PC.
- (2) Close all open applications
- (3) Insert the Install CD (included) to your PC. Open the CD-ROM drive, move to [ 32 bit\_OS ] and double-click "Setup.exe".
- (4) The installer starts installation. Follow the indications of the dialogs.

*<Note>*

*When you click "Install Driver & Tools" after completing the installation, the message to confirm uninstallation appears. If you click "Yes", uninstallation starts to uninstall the necessary tools but Printer Driver(s) is/are not uninstalled. If uninstallation fails, a dialog box appears "Uninstallation of the former version failed. Do you want to continue installing the new version?". Click [ No ] and quit the installer. Open "Add or Remove Programs" of Control Panel and remove "Brother GT-Tools". Then start the installation from the beginning.*

### 3. Getting Started

- (5) During the installation, the following warning appears. Click "Continue Anyway" and continue.



Windows XP



Windows 2000

- (6) After installation, your PC will need to restart. Remove your Install CD and restart your PC. If you are going to use your printer without connecting it to your PC, this will be the end of PC preparation.

### 3-3-2. Connection with USB 2.0 Cable: for Windows XP

- (1) Connect the USB 2.0 cable to your printer (power OFF).

<Note>

*We do not recommend connection via a USB hub to the printer.*

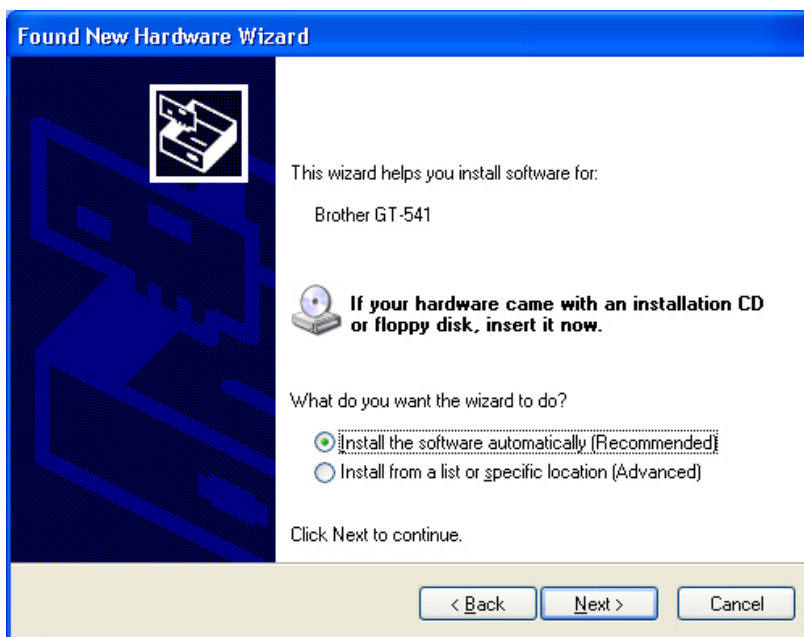
- (2) Connect the other end of the USB 2.0 Cable to your PC.

- (3) Turn on your GT-541 printer. The following window appears.



Select "No, not this time", and then click "Next".

- (4) Insert the Install CD. The following window appears.



- (5) Select "Install the software automatically (Recommended)", and then click "Next". The installation starts. When "Hardware installation" dialog (not passed Windows Logo testing) appears during installation, Click "Continue Anyway". The installation continues.

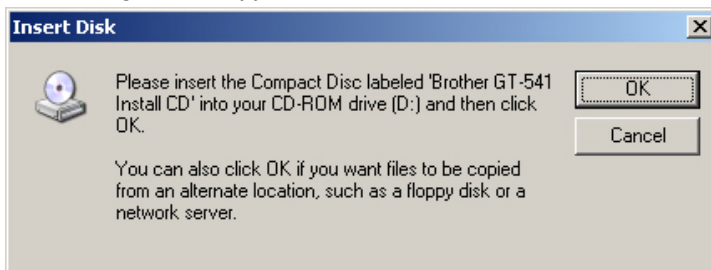
<Note>

If the following window appears, follow the instruction below:

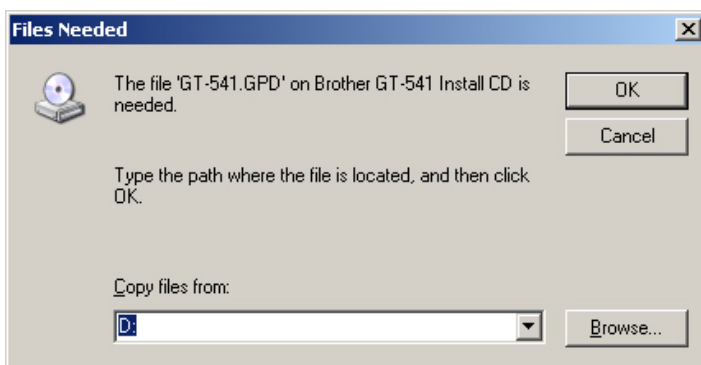
### 3. Getting Started

- (1) Confirm that the Install CD is inserted properly, and then click "OK".

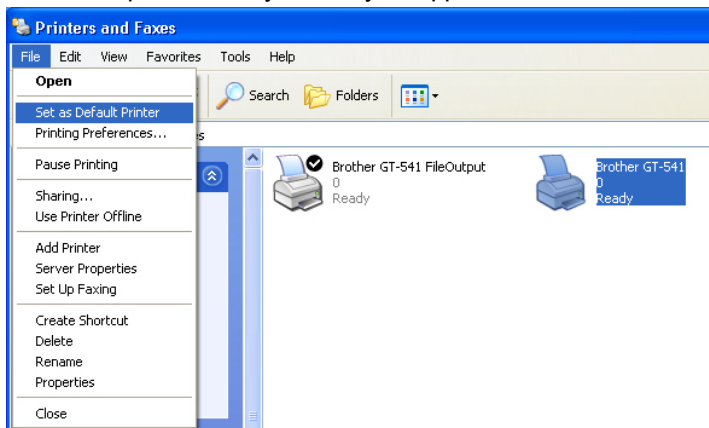
The following window appears.



- (2) If install CD is not in drive [D:], the following window appears. Click "Browse..." to select the CD drive, and then click "OK". The installation continues.



- (6) Click "Finish" when "Completing the Found New Hardware Wizard" dialog.
- (7) Open "Printers and Faxes" in "Control Panel".
- (8) Click either "Brother GT-541" or Brother GT-541 FileOutput icon and select "Set as Default Printer" on "File" menu. "Brother GT-541" icon is checked and Brother GT-541 is set as the default printer. This will help to do the layout with your application software.



The PC setup is now completed.

<Note> for installations of more than one GT-541 printer.

To connect another GT-541 to the PC, repeat the steps of 3-3-2. Connection with USB 2.0 Cable: for Windows XP. From the second GT-541, the printer names automatically become "GT-541(copyX)". You can change the names as "GT-541 xxx" in the "Printer and Faxes" in the "Control Panel" for your workability.

### 3-3-3. Connection with USB 2.0 Cable: for Windows 2000

- (1) Connect the USB 2.0 cable to your printer (power OFF).

<Note>

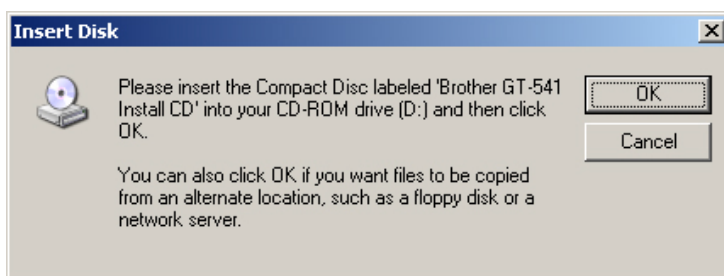
*We do not recommend connection via a USB hub to the printer.*

- (2) Connect the other end of the USB 2.0 Cable to your PC.  
 (3) Turn on your GT-541 printer. Brother GT-541 Printer Driver starts installing automatically.

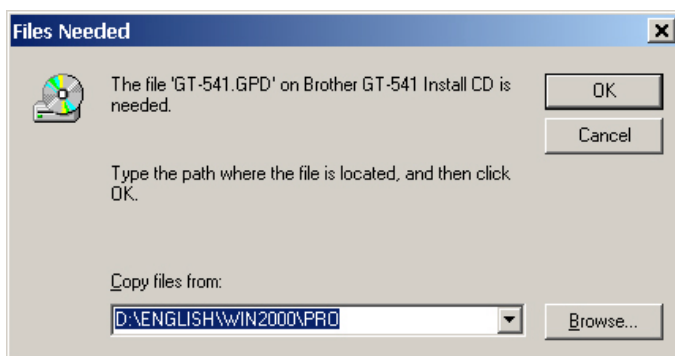
<Note>

*If Brother GT-541 is not installed, the following window appears: follow the instruction below to install it manually:*

- (1) *Insert the Install CD, and then click "OK". The following window appears.*



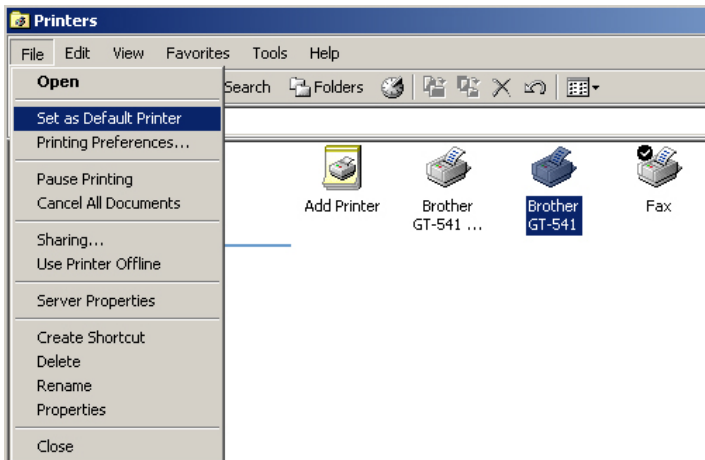
- (2) *If install CD is not in drive [D:], the following window appears. Click "Browse..." to select the CD drive, and then click "OK". Brother GT-541 is installed.*



- (4) Open the "Printers" in the "Control Panel".

### 3. Getting Started

- (5) Click either "Brother GT-541" or Brother GT-541 FileOutput icon and select "Set as Default Printer" on "File" menu. "Brother GT-541" icon is checked and Brother GT-541 is set as the default printer. This helps to do the layout with your application software.



The PC setup is now completed.

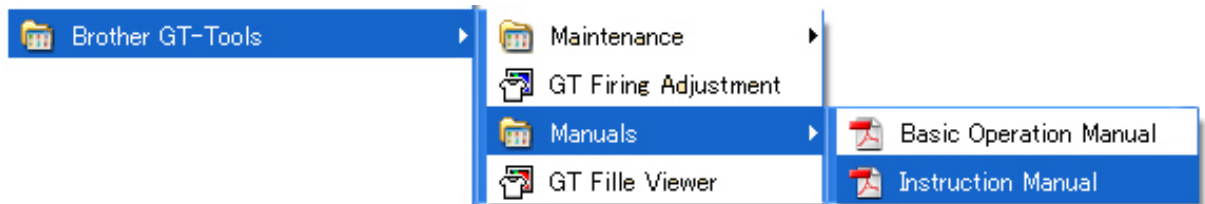
<Note>

To connect another GT-541 to the PC, repeat the steps 3-3-3. Connection with USB 2.0 Cable: for Windows 2000. From the second GT-541, the printer names automatically become "GT-541(copyX)". You can change the names "GT-541 xxx" in the "Printers" in the "Control Panel" for your workability.

Modify same as previous section for multiple printers.

### 3-3-4. Opening the installed manuals

- (1) Click "All Programs" on "Start" menu.
- (2) Select "Brother GT-Tools".



- (3) Click the manual you want to open.

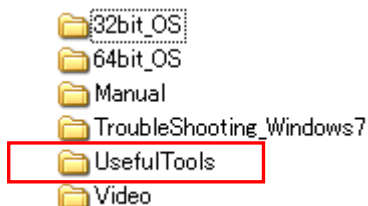
<Note>

Only manuals with selected language are installed to your PC. Others PDF files are in the folder "Manual" on Install CD.

### 3-3-5. Installing Useful Tools

We provide Color Palettes for Adobe Photoshop (GT-541\_Colors.aco) / CorelDRAW (GT-541\_Colors.cpl) to help you with printing. The colors are the same in ColorChart which is available in "Test Print" menu of Printer Driver. Print ColorChart to check the colors that your Printer actually provides as color formula guide. CorelDRAW template files are also available to help you with final layout.

- (1) Turn on your PC.
- (2) Insert the Install CD (included) to your PC.
- (3) Open [ UsefulTools ] folder.



- (4) Select the language (UsefulTools\_XXX.html).

### 3-3-6. Installation of PC for Windows Vista / Windows 7 (32 bit / 64 bit)

Refer to "3-3-2. Connection with USB 2.0 Cable: for Windows XP" first and confirm the procedures and notes. In brief, like for Windows XP and Windows 2000, GT-541 File Output Printer Driver, tools and manuals are installed first from Install CD, and PC must be restarted. Then PC is connected to USB 2.0 cable, the printer turned ON, and USB 2.0 cable connected to the printer.

#### Installation of GT-541 File Output Printer Driver

***Do not connect the printer to the PC at this stage.***

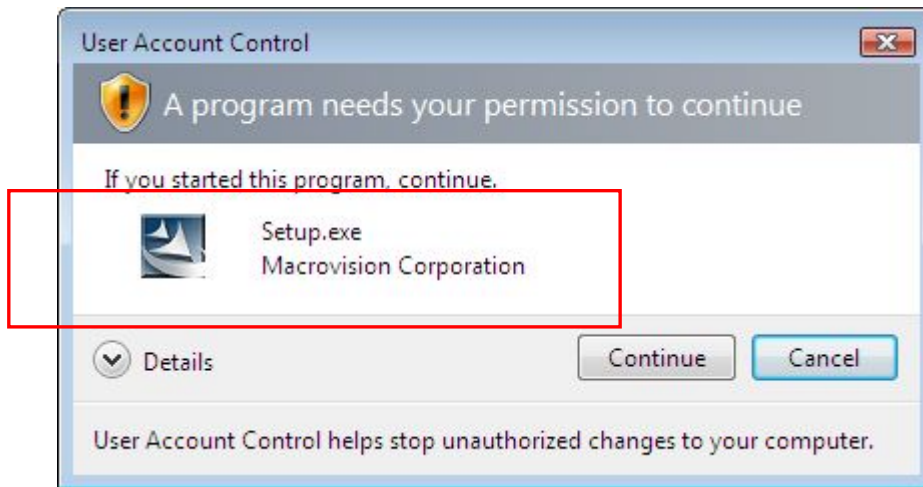
<Note>

*You must be logged on with Administrator rights on the PC.*

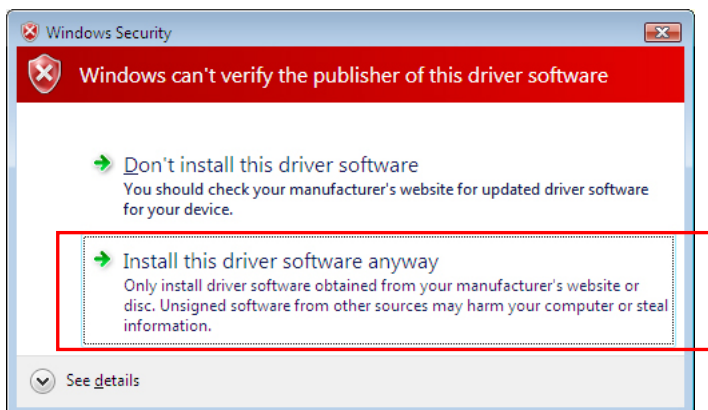
- (1) Turn on your PC.
- (2) Close all open applications.

### 3. Getting Started

- (3) Insert the Install CD (included) to your PC.  
Select either [ 32bit\_OS ] or [ 64bit\_OS ] (depends on your PC) and execute "Setup.exe".
- (4) The monitor turns dark and the following dialog appears when User Account Control is ON. Select "Continue".



- (5) The Installer starts installation. Follow the indications of the dialogs.
- (6) During the installation, the following warning appears. Click "Install this driver software anyway" and continue.



- (7) After installation, your PC will need to restart. Remove your Install CD and restart your PC. If you are going to use your printer without connecting it to your PC, this will be the end of PC preparation.



### **Connection with USB 2.0 Cable**

- (1) Connect the USB 2.0 cable to your printer (power OFF).
- (2) Connect the other end of the USB 2.0 Cable to your PC.
- (3) Turn on your GT-541 printer. Installation starts automatically. The information appears at the right bottom of the PC monitor.
- (4) After installation, open "Printers" in "Control Panel" of PC.
- (5) Click either "Brother GT-541" or Brother GT-541 FileOutput icon and select "Set as Default Printer" on "File" menu. "Brother GT-541" icon is checked and Brother GT-541 is set as the default printer. This will help to do the layout with your application software. The PC setup is now completed.

---

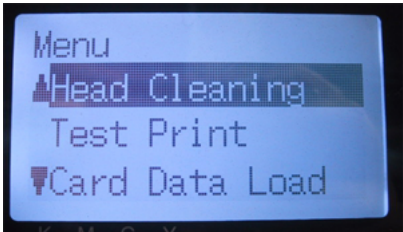
### 3-4. Setting Up Your Printer

Adjust the display contrast and the speaker volume as required.

#### 3-4-1. Adjusting the Display Contrast

- (1) Press the OK Button on your printer's Control Panel.

The following display appears.



- (2) Use the Up/Down Button to highlight "LCD Contrast", and then press the OK Button.

The following display appears.

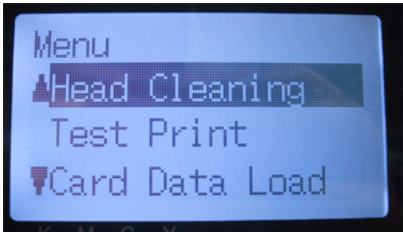


- (3) Use the Up/Down Button to select your desired contrast from 0 to 7, and then press the OK Button.

#### 3-4-2. Adjusting the Speaker Volume

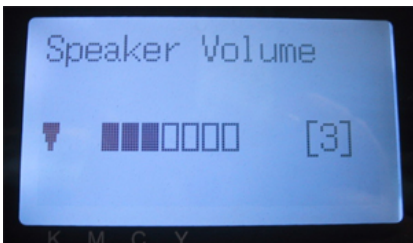
- (1) Press the OK Button on your printer's Control Panel.

The following display appears.



- (2) Use the Up/Down Button to select "Speaker Volume", and then press the OK Button.

The following display appears.



- (3) Use the Up/Down Button to select your desired volume from 0 (silent) to 7, and then press the OK Button.

### **3-4-3. Language**

- (1) Press the OK Button on your printer's Control Panel.
- (2) Use the Up/Down Button to select "Language", and then press the OK Button.
- (3) Use the Up/Down Button to select your desired language from English / Español / Français / Deutsch / Italiano and then press the OK button.

### **3-4-4. Temperature**

- (1) Press the OK Button on your printer's Control Panel.
- (2) Use the Up/Down Button to select "Temperature", and then press the OK Button.
- (3) Use the Up/Down Button to select your desired language from Fahrenheit / Centigrade and then press the OK button.

## 4. Printing Directly from Applications

### **WARNING**



If a foreign object gets inside the printer, immediately turn off the power switch and disconnect the power cord, and arrange for a service call to resolve.



If you continue to use the printer while there is a foreign object inside, it may result in fire or electric shocks or problems with correct operation.



Do not allow water or oil to get onto the printer, otherwise it may cause fire or electric shocks or problems with correct operation.



If any liquids get onto the printer, immediately turn off the power switch and disconnect the power cord, and arrange for a service call to resolve.



Do not use the printer when smoke or a bad odor coming from the printer, otherwise it may cause fire or electric shocks or problems with correct operation. Immediately turn off the power switch and disconnect the power cord, and arrange for a service call to resolve.



### **CAUTION**



This printer should only be used by operators who are appropriately trained in its operation.



Do not move the Platen by hand.  
The Printer may be seriously damaged by this.



When a problem occurs with the operation of the printer, contact the place of purchase or a qualified technician.

## 4-1. Basic Printing Procedure

- (1) Set the proper color settings and print conditions of the application. For precise editing and output, applications such as Adobe Photoshop, Illustrator, CorelDRAW, Paint Shop Pro are recommended. See "4-2. Setting the Applications' Print Condition" in Instruction Manual (PDF) for further details.
- (2) Create the artwork using a suitable graphic application.
- (3) Select [ File ] > [ Print ] menu of your application and set Printer Driver conditions. See "4-3. Setting the Printer Driver Condition" in Instruction Manual (PDF).
- (4) Turn on your printer:  
See "3-2-1. Turning On Your Printer".
- (5) Send data to your Printer. Select Printer Driver: either GT-541 Printer Driver (USB 2.0 Cable) for direct print or GT-541 FileOutput Printer Driver to make print data file (.arp).  
As for sending .arp file to your Printer, see "5. Printing ARP Files" in Instruction Manual (PDF).
- (6) Install the Platen of the size you have selected in step (3):  
See "4-4. Uninstalling / Installing the Platen" in Instruction Manual (PDF).
- (7) Set the T-shirt on the Platen and adjust the Platen height:  
See "4-5. Placing the T-shirt on the Platen" in Instruction Manual (PDF).
- (8) Press the Print Button on the Control Panel to start printing.
- (9) Remove the "printed" T-shirt from the Platen.  
See "4-7. Removing the T-shirt From the Platen" in Instruction Manual (PDF).
- (10) Fix the ink with heat onto the T-shirt.  
Use the Heat Press to fix the ink onto the T-shirt. See "4-8. Fixing the Ink onto the T-shirt" in Instruction Manual (PDF).
- (11) Repeat (7) to (10) until all the prints are finished.
- (12) Turn off your printer if all printing is completed.  
See "3-2-2. Turning Off Your Printer".

## 5. Maintenance

For optimum product performance regular maintenance is required.

### DANGER



Wait at least 5 minutes after turning off the power switch and disconnecting the power cord from the wall outlet before opening the cover of the control unit. Do not touch as high voltage can result in severe injury.

### WARNING



Do not put your hands in the ink cartridge slot, otherwise the needle inside the slot may cause injury.

### CAUTION



Wait at least 1 minute after turning off the power switch before opening the front cover. Do not touch the head heat sink as it may be HOT and may cause a burn.



Be careful not to get your fingers caught when closing the front cover, otherwise it may result in injury to your fingers.



Do not move the Platen by hand.  
The Printer may be seriously damaged by this.



Do not disassemble the ink cartridge or the waste ink cartridge.



Take care not to let the ink, waste liquid or wash liquid come into contact with your eyes or onto your skin, otherwise inflammation can result.

Do not drink the ink, waste liquid or wash liquid under any circumstances, as they can cause vomiting and diarrhea. In case of contact with eyes, do not rub but immediately rinse the eyes with water.

Keep the ink, waste liquid and wash liquid out of the reach of children.



Use only the proper replacement parts as specified by Brother.

---

## 5-1. Replacing Consumables

This section describes how to replace the consumables:

Ink Cartridge,  
Wiper Cleaner,  
Waste Ink Cartridge,  
and Platen Sheet.

### 5-1-1. Replacing the Ink Cartridge

The ink indicator on the Display flashes when the Ink Cartridge is getting low. Prepare the new Ink Cartridge, and replace it when "EMPTY XXXX (color)" is displayed.

<Note>

*Use the Ink Cartridges described in "1-3-5. Consumable Requirements".*

*Be careful not to get ink on your hands or clothing. Wash with soap if stained with ink.*

*Do not replace cartridges while printing or head cleaning; is in operation it may cause damage to your printer.*

*Do not disassemble the Ink Cartridge.*

*Replace the Wiper Cleaner when Black Ink is empty. See 5-1-2. Replacing the Wiper Cleaner".*

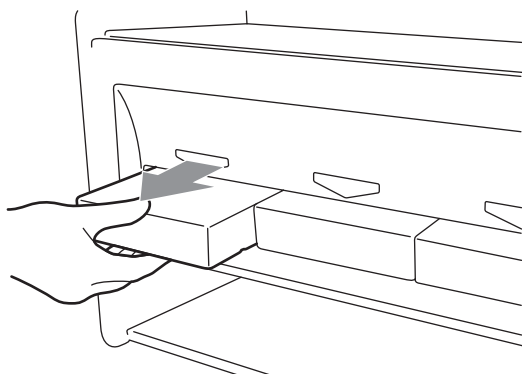
*To keep the best print result, your printer will show empty status for the color cartridge that is empty. To keep print quality, a small amount of ink remains to avoid damage to your printer.*

- (1) Remove the new Ink Cartridge from its packing.
- (2) Carefully remove the used Ink Cartridge from your printer.

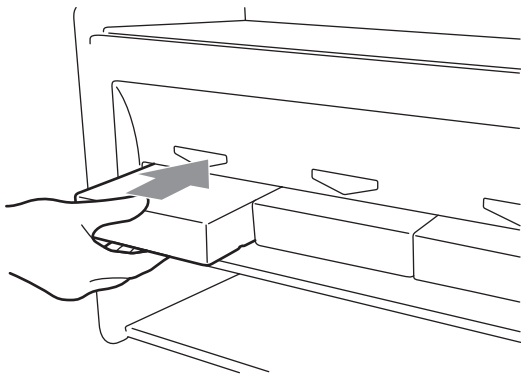
<Note>

*Leave the used Ink Cartridge installed until just before the replacement. Leaving your printer with no Ink Cartridge installed may cause ink leakage.*

*Do not put your finger to the Ink Cartridge Slot; otherwise you may get injured with the needle inside.*



- (3) Insert the new Ink Cartridge securely ( ensure the direction and the color are correct).



<Note>

*Confirm the color of the ink cartridge. Loading a wrong color causes serious damage to print quality, and could damage to the Print Heads. If you have installed a wrong color, immediately contact Brother or your dealer for a service call*

- (4) When you have replaced the Black Ink Cartridge, refer to “5-1-2. Replacing the Wiper Cleaner” and replace the attached Wiper Cleaner and clean the surroundings. This is really important to keep your printer in good condition.

<Note>

- Do not repeat uninstalling / installing the Ink Cartridge.
- Dispose the used Ink Cartridge in compliance with your local regulations.

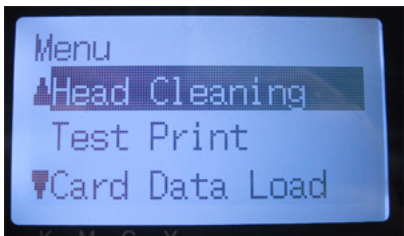
### 5-1-2. Replacing the Wiper Cleaner

The Wiper Cleaner is attached to the Black Ink Cartridge, and it needs to be replaced regularly when the Ink Cartridge is replaced. Keep the Print Head Cap and Wiper Blade clean when replacing the Wiper Cleaner.

<Note>

*Generally Yellow Ink is used most of other colors when you print colorful artwork. But if you use other ink more than Black Ink, e.g. Yellow Ink, the regular cleaning at the timing of Black Ink replacement might be insufficient to keep print quality good. Please get a Cap Cleaning Kit and do this maintenance regularly at the timing of ink replacement that you use most.*

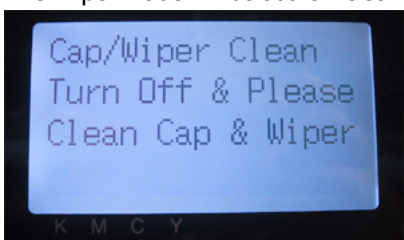
- (1) Press the OK Button to show the Menu Display.



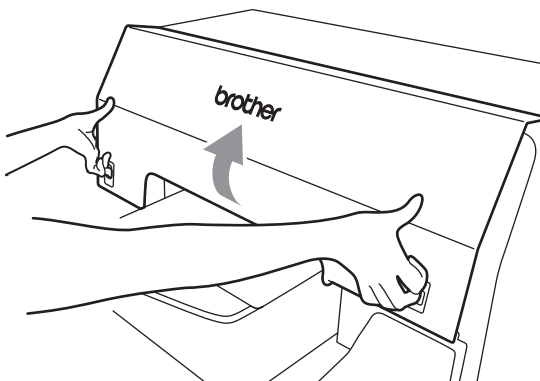
- (2) Press the Up/Down Button to select the “Maintenance”, and then press the OK Button.



- (3) Press the Up/Down Button to select the “Cap/Wiper Clean”, and then press the OK Button.  
The Wiper Blade will be at the cleaning position. Follow the message and turn off the printer.



- (4) Open the Front Cover by unlocking the Cover Locks with both hands.

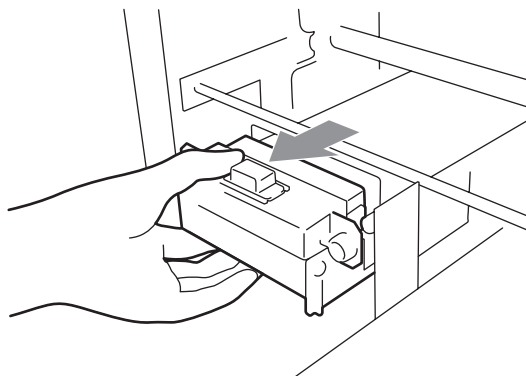


- (5) Pull out the Wiper Cleaner Cassette straight and slowly.

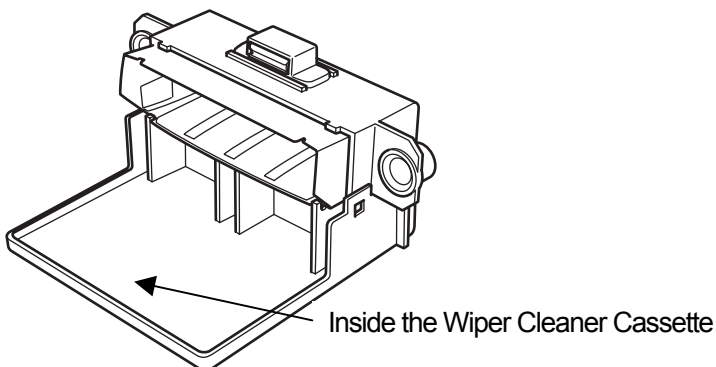
<Note>

*Do not tilt the Wiper Cleaner Cassette; ink may get on your hands or clothing.*

*Do not touch the Clearance Sensor (the bar above the Wiper Cleaner Cassette).*

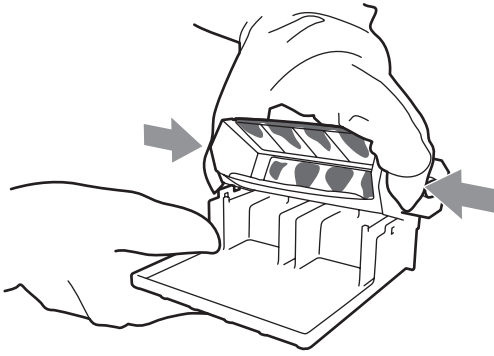


- (6) If the ink inside of the Wiper Cleaner Cassette is soiled with ink:  
Wear gloves and remove the ink with a dry cloth, and then clean with a moist cloth

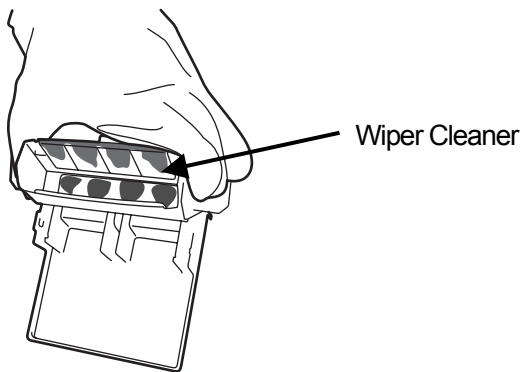


5. Maintenance

- (7) Push both sides of the Wiper Cleaner Cassette to open it.



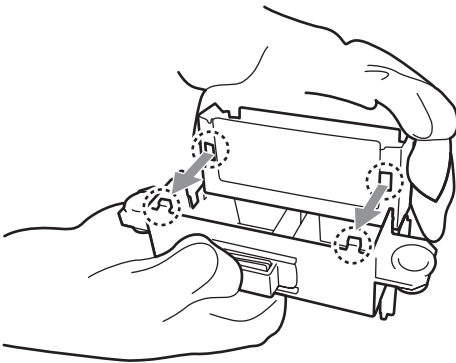
- (8) Carefully drop off the used Wiper Cleaner. And dispose of in accordance with local regulations.



<Note>

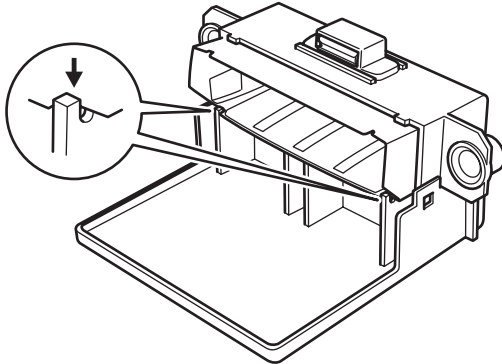
*Dispose the used Wiper Cleaner in compliance with your local regulations.*

- (9) Insert the two projections of the Wiper Cleaner Cassette into the holes on the new Wiper Cleaner.



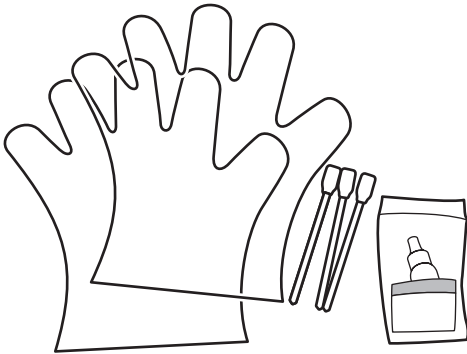
- (10) Close the Wiper Cleaner Cassette.

Make sure that the bottom of the Wiper Cleaner is set within the two projections on the Wiper Cleaner Cassette. Push in the Wiper Cleaner after closing.



- (11) Open the Wiper Cleaning Kit which comes with the new Black Ink Cartridge.

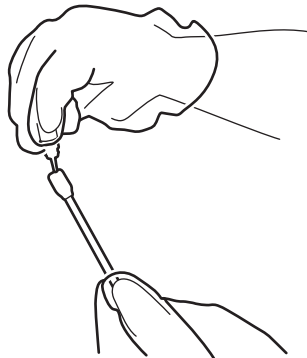
The following items are included.



- (12) Wear the gloves, and wet both sides of a Clean Applicator with the Wash Liquid.

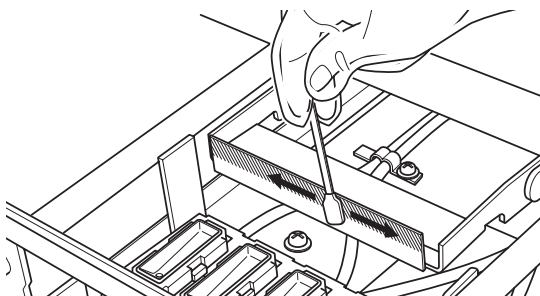
<Note>

*Use only the Wash Liquid included to wet the Clean Applicators; using other liquid will cause damage to the Print Heads.*

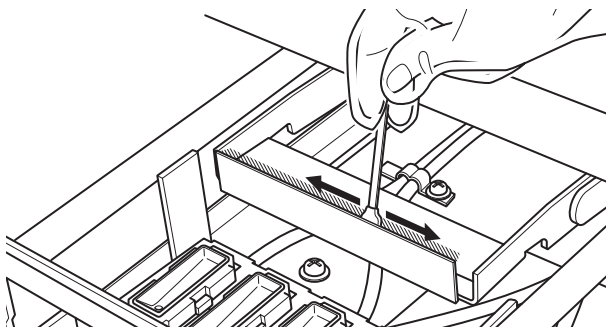


## 5. Maintenance

(13) Use the one side of wet Clean Applicator to clean the front side of the Wiper Blade.



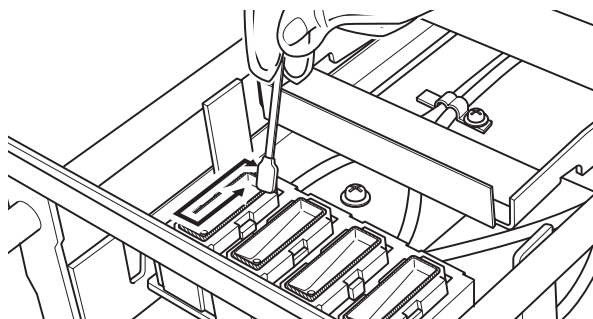
(14) Use the other side of the wet Clean Applicator to clean the rear of the Wiper Blade.



(15) Wet other two Clean Applicators and use them to remove ink or dust from the Print Head Caps. Use one side of the Clean Applicator to clean one Print Head Cap.

<Note>

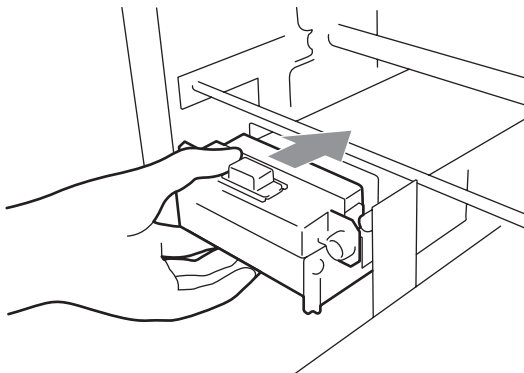
*Do not use dry Clean Applicator; it cannot clean ink or dust. It may damage the Print Head Caps. Wipe off the dirty ink of Clean Applicator with soft cloth if it is too dirty and wet with Wash Liquid.*



(16) Insert the Wiper Cleaner Cassette straight into your printer.

<Note>

*Do not touch the Clearance Sensor (the bar above the Wiper Cleaner Cassette)..*



(17) Check the top edge of the black Flash Plate on the right and the front/back surface of the Obstruction Sensor, if they are dirty with ink and/or dust wipe off the dirt with a soft wet cloth with water.

<Note>

*When ink or dust is mounted high on the top edge of the Flash Plate, it may touch the surface of the print head during printing, this may cause misfiring. When the surface/back of the Obstruction Sensor is dirty, it may damage the printing material when loading.*

(18) Close the Front Cover, and then turn on your printer.

If your printer turns on with no errors, replacement of the Wiper Cleaner has been completed.

If there is problem (abnormal noise or error "WPC removed"), turn off your printer, and check if the Wiper Cleaner and the Wiper Cleaner Cassette are correctly installed.

### 5-1-3. Replacing the Waste Ink Cartridge

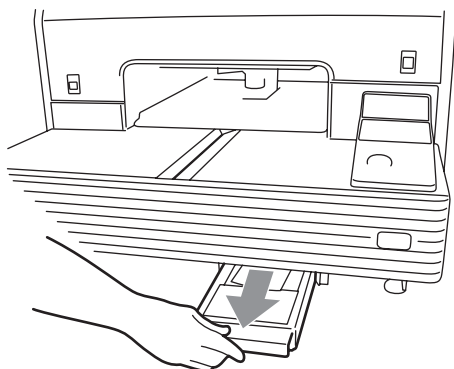
When the message "WARNING WASTE INK FULL" is displayed on the Control Panel, prepare the new Waste Ink Cartridge. Replace it when the message "ERROR WASTE INK FULL" is displayed.

<Note>

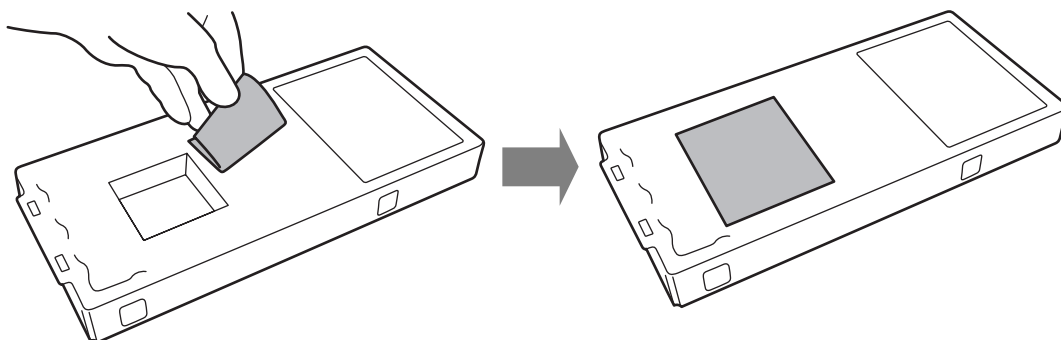
- *Do not replace the Waste Ink Cartridge while printing or head cleaning. It may contaminate the inside of your printer, which may cause damages to your printer.*
- *Be careful not to get ink on your hands or clothing when you handle the Waste Ink Cartridge. Wash with soap if stained with ink.*

5. Maintenance

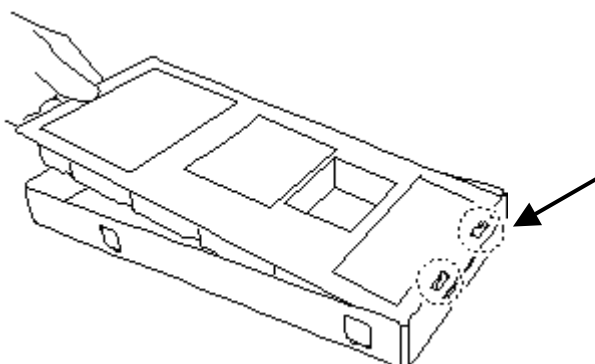
- (1) Pull out the Waste Cartridge Tray.  
The message "ERROR NO WASTE INK TRAY" is displayed.



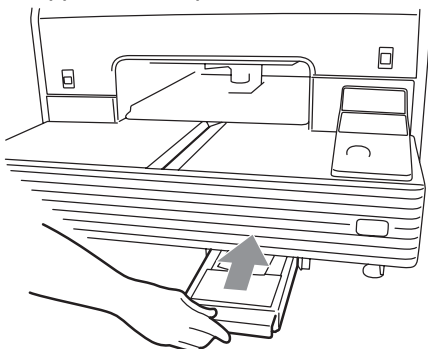
- (2) Remove the sticker on the used Waste Ink Cartridge, and use it to seal the hole on it.



- (3) Remove the new Waste Ink Cartridge from its package.  
<Note>  
*Save the plastic package for storing the used cartridge.*
- (4) Remove the used Waste Ink Cartridge from the Waste Cartridge Tray, and put it in the package, in which the new Waste Ink Cartridge came in.
- (5) Install the new Waste Ink Cartridge into the Waste Cartridge Tray. Make sure that two projections of the Waste Cartridge Tray pierce the two holes of the Waste Ink Cartridge.



- (6) Install the Waste Cartridge Tray. When the error display "ERROR NO WASTE INK TRAY" disappears, the replacement of the Waste Ink Cartridge has been completed.

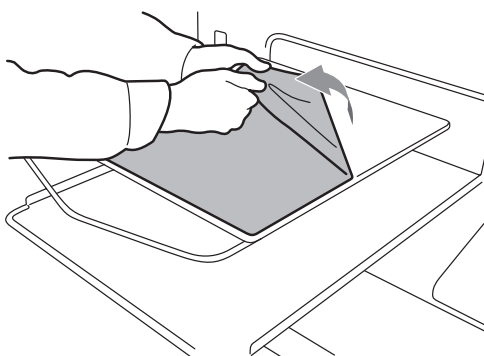


<Note> Dispose the used Waste Ink Cartridge in accordance with your local regulations.

#### 5-1-4. Replacing the Platen Sheet

The Platen Sheet gets dirty in operation. Please replace the Platen Sheet to avoid making smudges on a T-shirt.

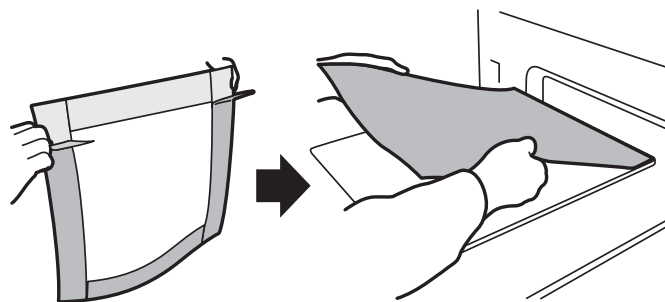
- (1) Press the Platen Button to eject the Platen.
- (2) Remove the Platen Sheet and the adhesive tape from the Platen.



- (3) Clean the surfaces of the Platen using a soft cloth dampened with mild detergent, and then wipe it using a soft and dry cloth.
- (4) Make sure the surface of the Platen is completely dry, and then put the new Platen Sheet on the Platen. It is easier if you peel off the release-coated paper little by little as you put the new Platen Sheet.

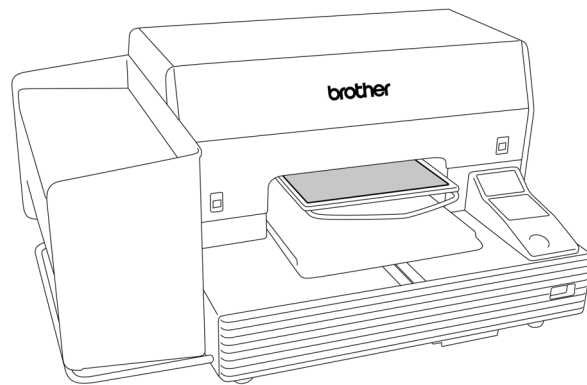
<Note>

*Put the Platen Sheet straight against the Platen without making creases.*



- (5) Press the Platen Button to install the Platen and check it is flat.

**brother**®



## Basic Operation Manual

**BROTHER INDUSTRIES, LTD.** <http://www.brother.com/>

1-5, Kitajizoyama, Noda-cho, Kariya 448-0803, Japan. Phone: 81-566-95-0088

© 2005-2007, 2010 Brother Industries, Ltd. All Rights Reserved.

This is the original instructions.

GT-541  
SA6123-801 E  
2010.01. B (1)