

**brother**®

**P-touch**

**PARTS REFERENCE LIST**

**MODEL: PT-1400/1600/1650**

**MECHANISMS & ELECTRONICS**

## NOTES FOR USING THIS PARTS REFERENCE LIST

1. When ordering parts, inform us of the following items:

- (1) Code
- (2) Q'ty
- (3) Description
- (4) Symbol (PCB No., Revision, and Parts location mounted on the PCB.)

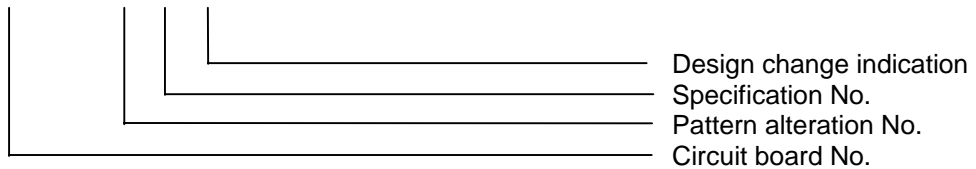
Note : Orders without Parts Code or Tool No. cannot be accepted.

[ Example ]

REF. NO.	SYMBOL	CODE	Q'TY	DESCRIPTION	REMARKS
					R

Revision No. : marked on the printed circuit board.

**B55L162 - 1 01 A**



2. Design-changed parts:

When the parts are design-changed, any one of the following symbols is indicated in the REMARKS column.

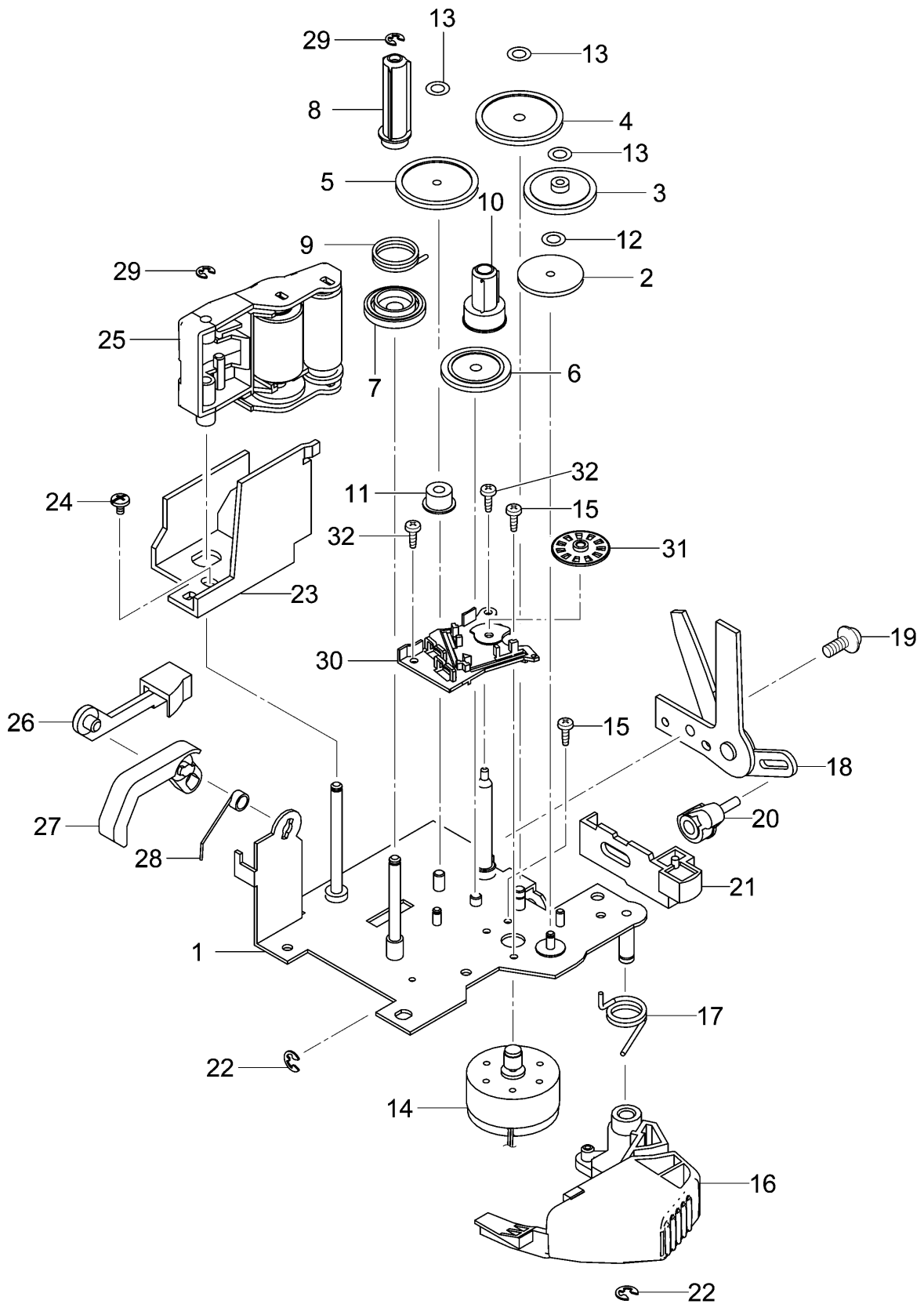
- CHNG#A : compatible between old and new
- CHNG#B : replaceable from old to new
- CHNG#D : incompatible
- ADD : newly added

- 3. Parts marked with an "R" in the REMARKS column are recommended spare parts.
- 4. The original of this list was made based on the information as of September, 2003.
- 5. Parts are subject to change in design without prior notice.

# CONTENTS

1 . PRINT MECHANISM .....	1
2 . COVERS .....	3
3 . MAIN PCB / KEY PCB .....	5
4 . RUBBER KEY .....	7
5 . SENSORS .....	7
6 . LCD UNIT .....	9
7 . ATTACHMENTS .....	9
8 . PRINTED MATTER .....	11
9 . PACKING MATERIALS .....	13

1 . PRINT MECHANISM



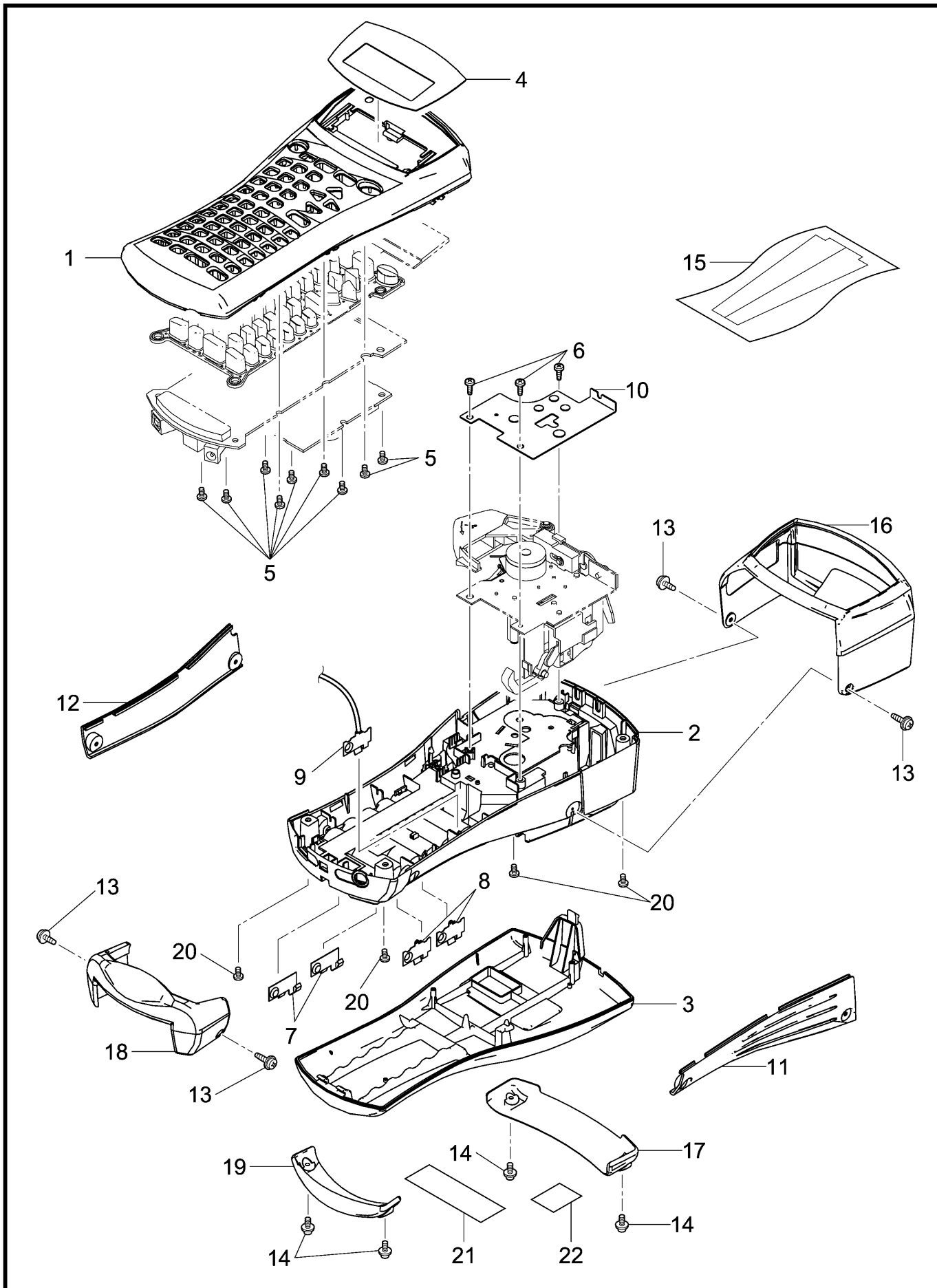
MODEL PT-1400/1600/1650 8V2-531-045

1 . PRINT MECHANISM

REF.NO.	CODE	Q'TY	DESCRIPTION	REMARKS
1	LN1089001	1	CHASSIS SUB ASSY 1400	
2	LA4695000	1	DOUBLE GEAR 1	
3	LA3193001	1	DOUBLE GEAR 2	
4	LA3194001	1	DOUBLE GEAR 3	
5	LA4696000	1	DOUBLE GEAR 4	
6	LA3195001	1	IDLE GEAR	
7	LA4697000	1	RIBBON DRIVE GEAR	
8	LA4698000	1	RIBBON DRIVE CAM	
9	UN3559001	1	RIBBON CLUTCH SPRING	
10	LA5773001	1	TAPE IDLE GEAR	
11	LA3197001	1	P IDLE GEAR	
12	UB3733001	1	WASHER 2.6	
13	LA3325001	3	WASHER 1.7	
14	LN1091001	1	DC MOTOR ASSY G	
15	UN3640001	2	SCREW, PAN 1.7X2.5	
16	LN1092001	1	CUTTER LEVER 1400, GRAY1691	
17	LA4700001	1	CUTTER RETURN SPRING	
18	LN1093001	1	CUTTER ASSY 1400	R
19	087320515	1	TAPTITE, CUP S M3X5	
20	LA4704001	1	CUTTER DRIVE GEAR ASSY	
21	LA4707000	1	CUTTER RACK GEAR	
22	048025346	2	RETAINING RING, E2.5	
23	LA4709001	1	HEAD ASSY KV1801-25B	R
24	060300415	1	SCREW, BIND M3X4	
25	LA4711001	1	ROLLER HOLDER ASSY 240	R
26	LA4721000	1	ROLLER RELEASE ROD	
27	LA6608001	1	ROLLER RELEASE LEVER	
28	LA4723001	1	RELEASE SPRING	
29	048020346	2	RETAINING RING, E2	
30	LN1097001	1	ENCODER HOLDER	
31	LN1098001	1	ENCODER GEAR	
32	LA8420001	2	SCREW, PAN M1.7X3	

MODEL PT-1400/1600/1650 8V2-531-045

2. COVERS



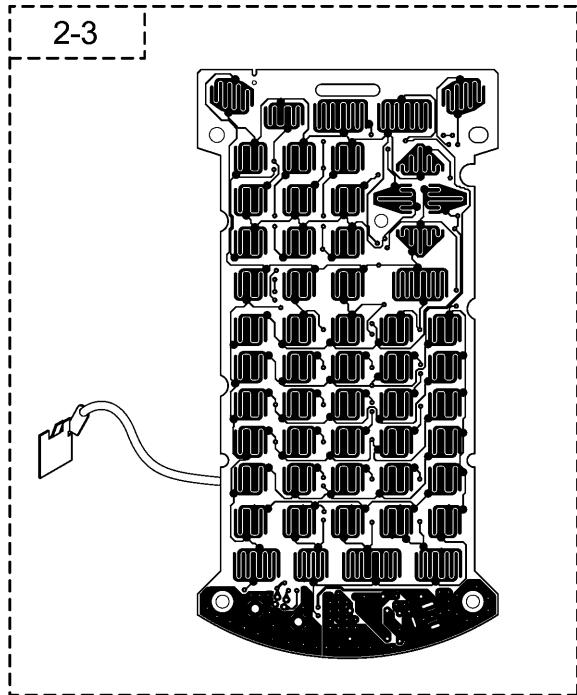
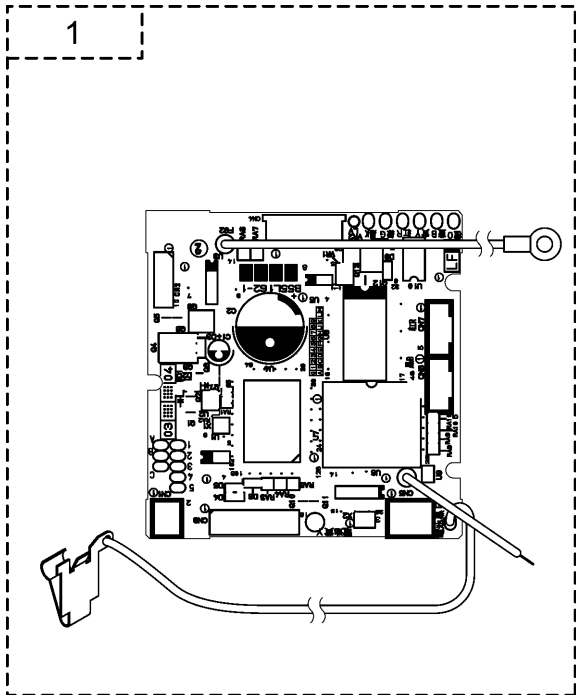
MODEL PT-1400/1600/1650 8V2-531-061

## 2 . COVERS

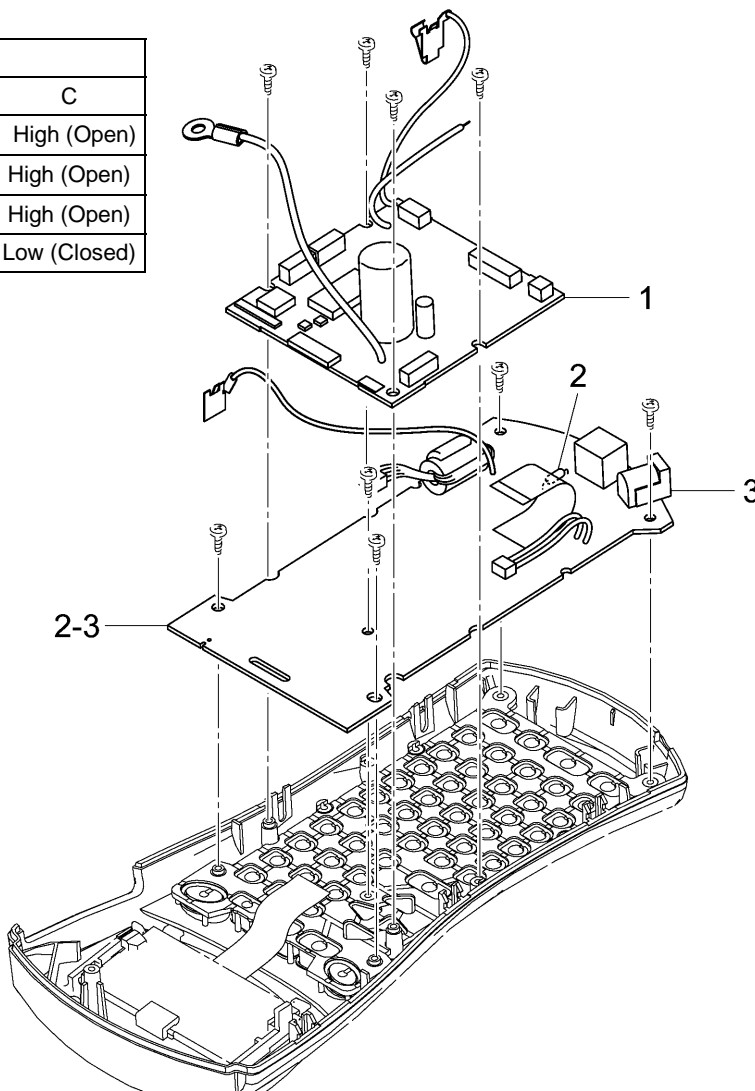
REF.NO.	CODE	Q'TY	DESCRIPTION	REMARKS
1	LN1101001	1	UPPER COVER 1400, BLUE6421 (PT-1400)	
1	LN1153001	1	UPPER COVER 1650, ORANGE3216 (PT-1600)	
1	LN2039001	1	UPPER COVER 1600, ORANGE3215 (PT-1650)	
2	LN1102001	1	BOTTOM COVER 1400, GRAY1681 (PT-1400)	
2	LN1102002	1	BOTTOM COVER 1400, GRAY1682 (PT-1600)	
2	LN1154001	1	BOTTOM COVER 1650, GRAY1682 (PT-1650)	
3	LN1103001	1	CASSETTE COVER 1400, BLUE6421 (PT-1400)	
3	LN1155001	1	CASSETTE COVER 1650, ORANGE3216 (PT-1600/1650)	
4	LN1104001	1	LCD PANEL 1400 (PT-1400)	
4	LN1156001	1	LCD PANEL 1650 (PT-1600/1650)	
5	085270516	9	TAPTITE, BIND B M2.6X5	
6	085270617	3	TAPTITE, BIND B M2.6X6	
7	LN1105001	2	BATTERY TERMINAL M	
8	LN1106001	2	BATTERY TERMINAL P2	
9	LN1114001	1	BATTERY TERMINAL P2 ASSY	
10	LN1116001	1	SHIELD PLATE 1400	
11	LN1117001	1	SIDE GRIP R, GRAY1692	
12	LN1118001	1	SIDE GRIP L, GRAY1692	
13	LN2949001	4	SCREW WASHER B 2X6 (PT-1400)	
13	LN3614001	4	SCREW WASHER B M2X8 (PT-1600/1650)	
14	LN2949001	4	SCREW WASHER B M2X6 (PT-1600/1650)	
15	LN1956001	1	SIDE GRIP TAPE	
16	LN1119001	1	TOP GLIP UPPER, GRAY1692 (PT-1600/1650)	
17	LN1121001	1	BOTTOM GRIP UPPER, GRAY1692 (PT-1600/1650)	
18	LN1120001	1	TOP GRIP LOWER, GRAY1692 (PT-1600/1650)	
19	LN1122001	1	BOTTOM GRIP LOWER, GRAY1692 (PT-1600/1650)	
20	085271017	4	TAPTITE, BIND B M2.6X10	
21	LA7765001	1	FCC LABEL (USA) (PT-1400/1600)	
21	LA5703001	1	FCC LABEL 2300 (USA) (PT-1650)	
21	LA4998001	1	C-TICK MARK (AUS)	
22	LN3269001	1	BACK COVER OPEN STICKER (USA) (PT-1600/1650)	

MODEL PT-1400/1600/1650 8V2-531-061

3 . MAIN PCB / KEY PCB



Head rank	The LCD shows:	Solder points		
		A	B	C
0	Head 0	High (Open)	High (Open)	High (Open)
A	Head A	Low (Closed)	High (Open)	High (Open)
B	Head B	High (Open)	Low (Closed)	High (Open)
C	Head C	High (Open)	High (Open)	Low (Closed)



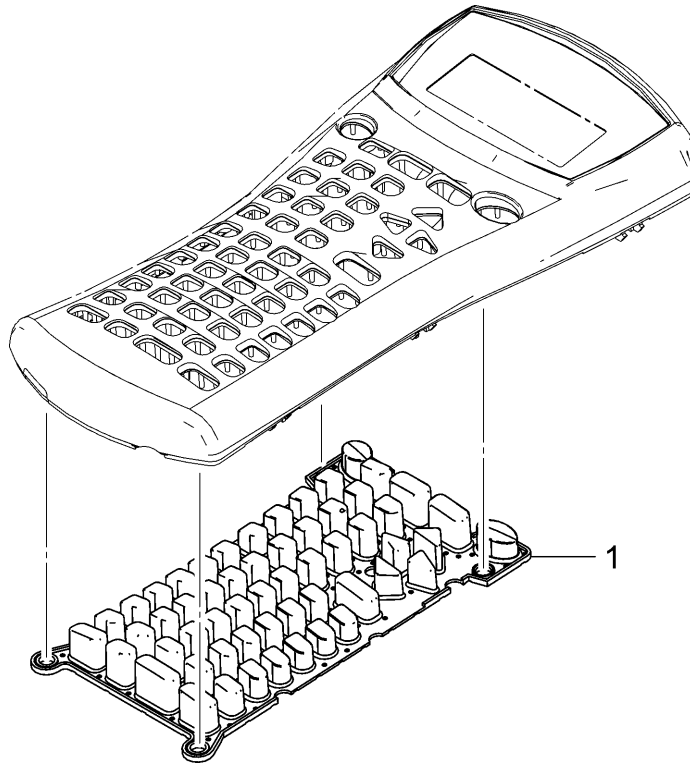


3 . MAIN PCB / KEY PCB

REF.NO.	SYMBOL	CODE	Q'TY	DESCRIPTION	REMARKS
1	B55L162-111B	LN1129001	1	MAIN PCB ASSY 1400F (PT-1400/1600)	R
1	B55L162-112F	LN1157001	1	MAIN PCB ASSY 1400T (PT-1650)	R
2-3	B55L163-221B	LN1135001	1	KEY PCB ASSY 1400F (PT-1400/1600)	R
2-3	B55L163-222B	LN1158001	1	KEY PCB ASSY 1400TM (PT-1650)	R
2	F1	UN0999000	1	FUSE, 125V4A	
3	J1	W00325001	1	JACK, HEC0470	

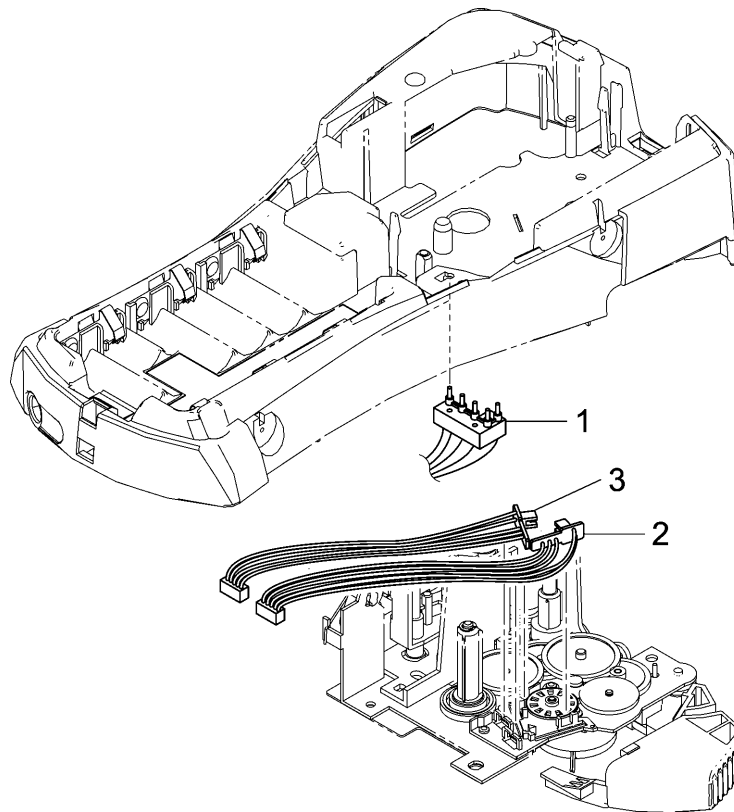
MODEL PT-1400/1600/1650 8V2-531-101/102

#### 4 . RUBBER KEY



MODEL PT-1400/1600/1650 8V2-531-003

#### 5 . SENSORS



MODEL PT-1400/1600/1650 8V2-531-100

4 . RUBBER KEY

REF.NO.	CODE	Q'TY	DESCRIPTION	REMARKS
1	LN1088001	1	RUBBER KEY 56 KEY US (PT-1400)	
1	LN1088002	1	RUBBER KEY 56 KEY US (PT-1600/1650)	

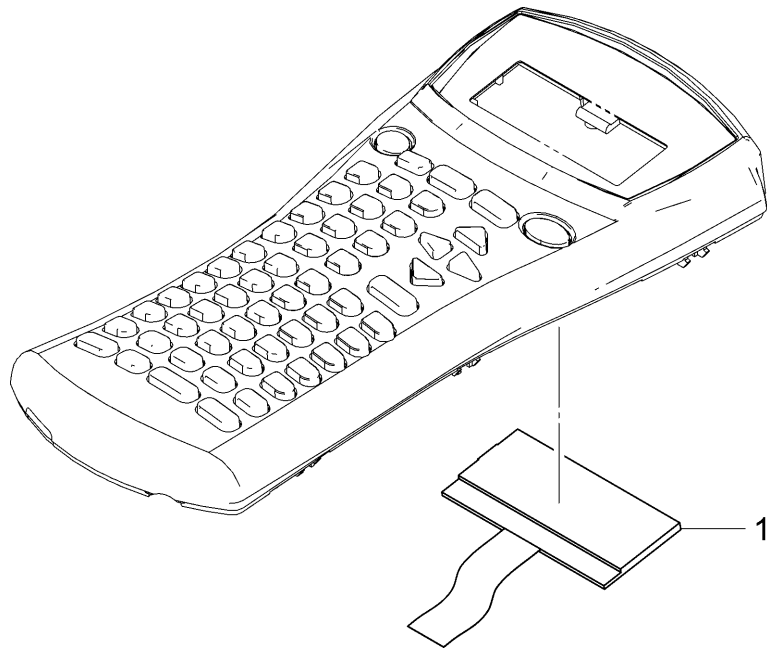
MODEL PT-1400/1600/1650 8V2-531-003

5 . SENSORS

REF.NO.	SYMBOL	CODE	Q'TY	DESCRIPTION	REMARKS
1		LA4728001	1	SWITCH ASSY 240	
2	B55L164-1	LN1139001	1	PHOTO PCB ASSY 1400R	R
3	B55L164-1	LN1143001	1	PHOTO PCB ASSY 1400B	R

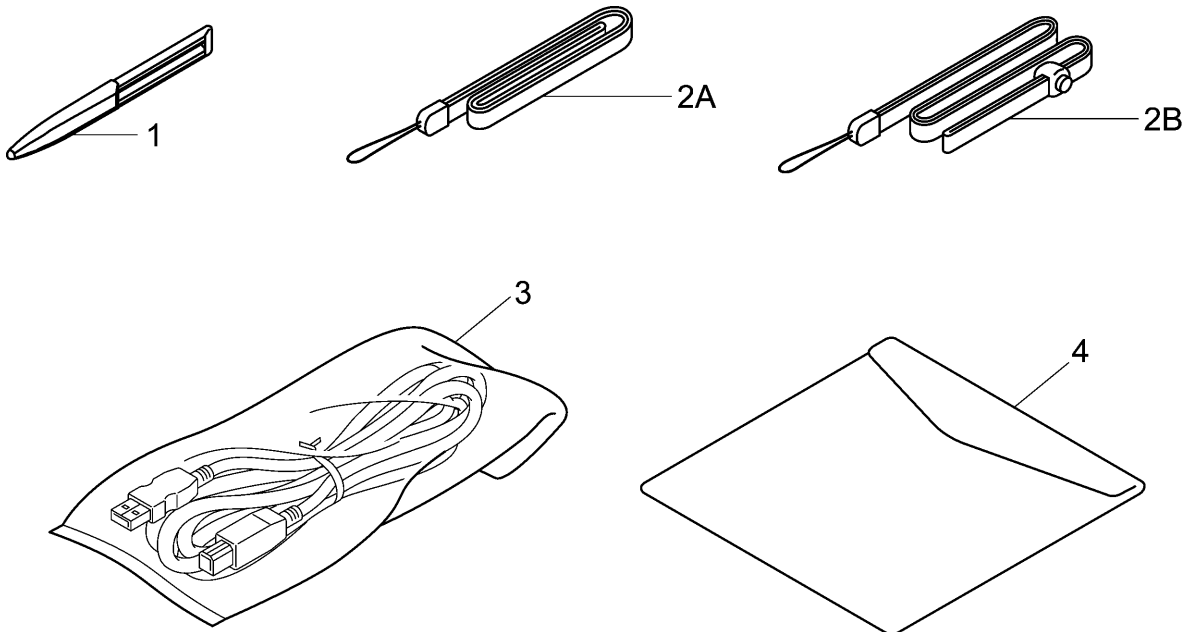
MODEL PT-1400/1600/1650 8V2-531-100

## 6 . LCD UNIT



MODEL PT-1400/1600/1650 8V2-531-108

## 7 . ATTACHMENTS



MODEL PT-1400/1600/1650 8V2-531-910

6 . LCD UNIT

REF.NO.	SYMBOL	CODE	Q'TY	DESCRIPTION	REMARKS
1	DG04809H	LN1145001	1	LCD DG04809H	

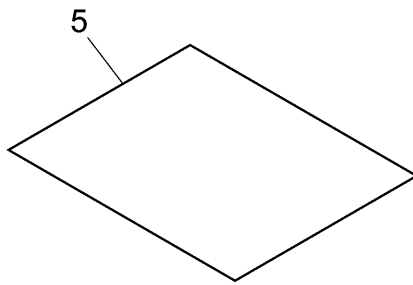
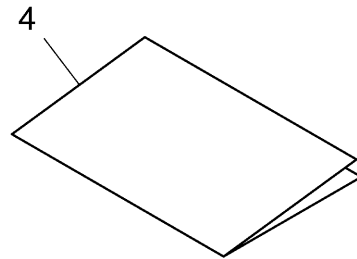
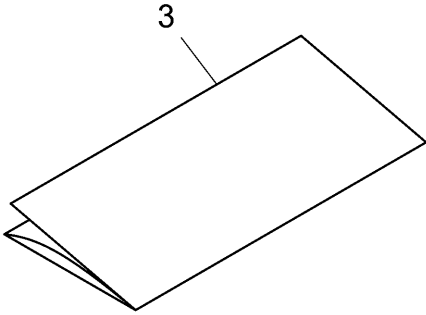
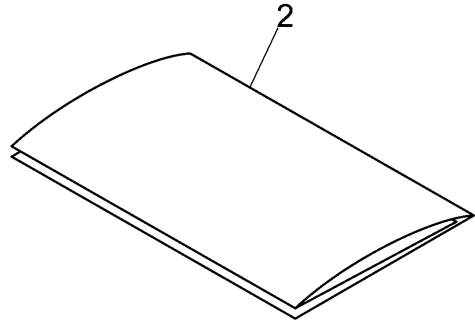
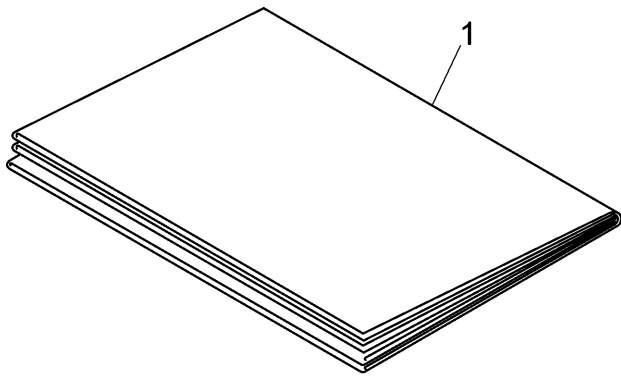
MODEL PT-1400/1600/1650 8V2-531-108

7 . ATTACHMENTS

REF.NO.	SYMBOL	CODE	Q'TY	DESCRIPTION	REMARKS
1		LA4896001	1	PEELER-STICK, GRAY1252	
2A		LN1204001	1	STRAP BELT, BLACK (PT-1400)	
2B		LN1261001	1	STRAP BELT, BLACK (PT-1600/1650)	
3		LA3700001	1	USB I/F CABLE (PT-1650)	
4		LN3014001	1	CD-ROM 1650 ASSY US (PT-1650)	

MODEL PT-1400/1600/1650 8V2-531-910

8 . PRINTED MATTER



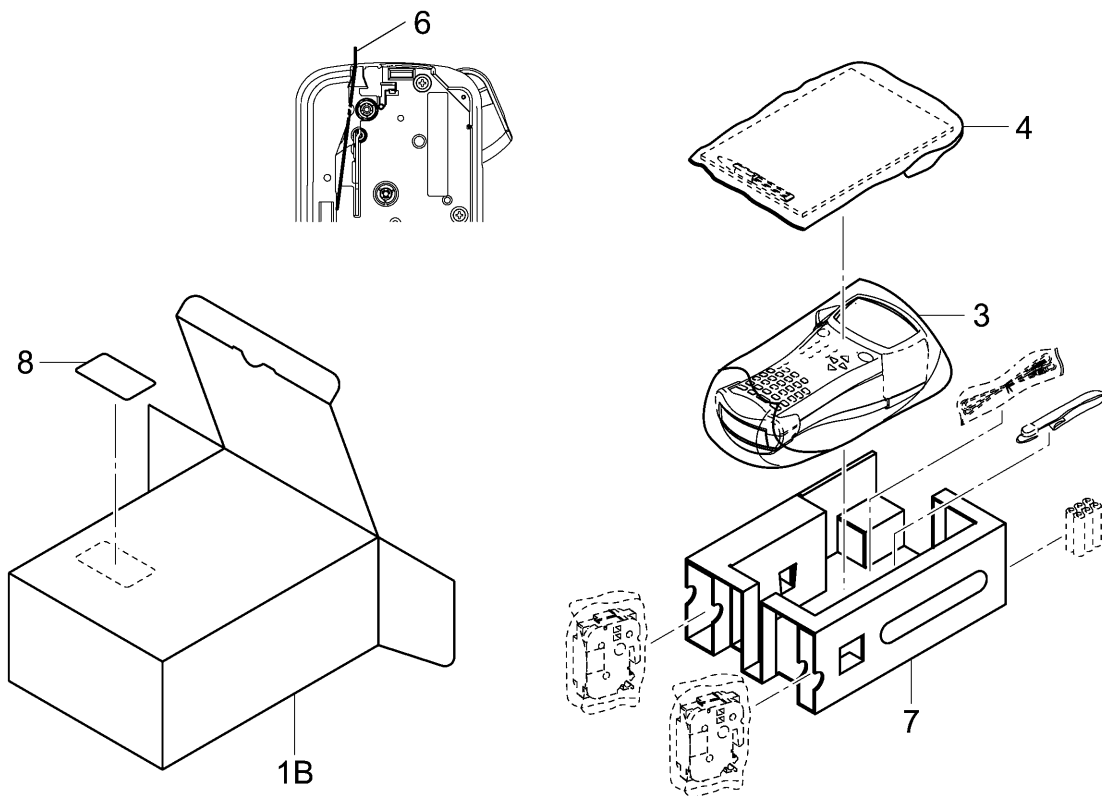
8 . PRINTED MATTER

REF.NO.	SYMBOL	CODE	Q'TY	DESCRIPTION	REMARKS
1		LN3015001	1	USER'S MANUAL 1650, USA.SPANIS (USA) (PT-1600/1650)	
1		LN3016001	1	USER'S MANUAL 1400, USA.SPANIS (USA) (PT-1600/1650)	
1		LN3118001	1	USER'S MANUAL 1650, AUS (AUS) (PT-1650)	
1		LN3116001	1	USER'S MANUAL 1400, AUS (AUS) (PT-1400)	
2	A	LA8624001	1	ACCESSORY ORDER FORM LIST (USA)	
3		LN2976001	1	TAPE CATALOG 9500 US (USA)	
3		LA2895001	1	TZ TAPE CATALOG, AUS CH (AUS)	
4		LA7986001	1	REGISTRATION CARD (USA)	
5		LN3013001	1	UNPACKING INSTRUCTION 1400	

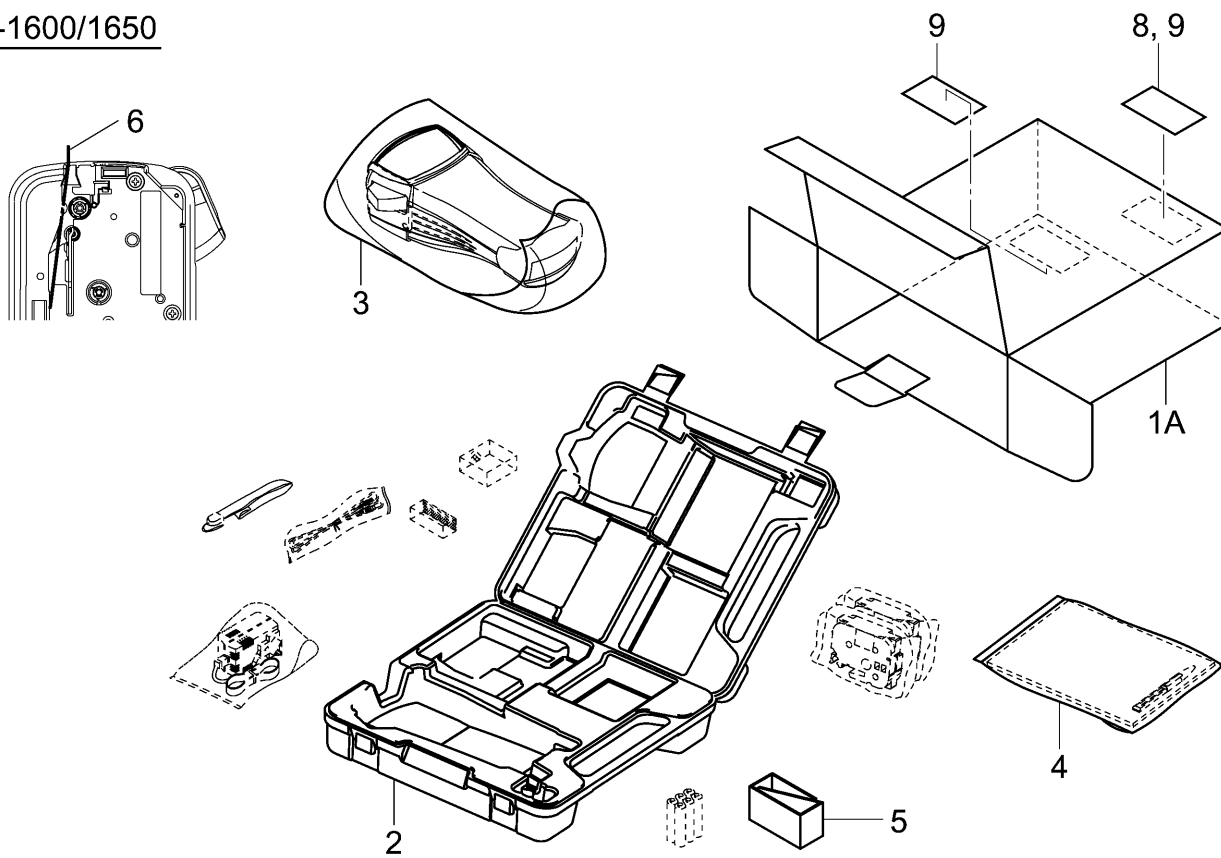
MODEL PT-1400/1600/1650 8V2-531-920

9 . PACKING MATERIALS

PT-1400



PT-1600/1650





9 . PACKING MATERIALS

REF.NO.	SYMBOL	CODE	Q'TY	DESCRIPTION	REMARKS
1A		LN3055001	1	CARTON 1600US (USA) (PT-1600)	R
1A		LN1160001	1	CARTON 1650US (USA) (PT-1650)	R
1A		LN3135001	1	CARTON 1650AUS (AUS) (PT-1650)	R
1B		LN1147001	1	CARTON 1400 US (USA) (PT-1400)	R
1B		LN3134001	1	CARTON 1400 AUS (AUS) (PT-1400)	R
2		LN1161001	1	CARRYING CASE 1650 (PT-1600/1650)	
3		LN2715001	1	BAG,400X320H (BODY)	
4		LA6496001	1	BAG,230X280 (USER'S MANUAL)	
5		LN1165001	1	CASSETTE SPACER 1650 (PT-1600/1650)	
6		LA6629000	1	PLATEN PROTECT PAD 2300	
7		LN1148001	1	PAD 1400 (PT-1400)	
8		UN8891001	1	C-TICK MARK (AUS)	
8		LN3054001	1	50TH ANNIVERSARY LABEL US (USA) (PT-1400)	
9		LN3054001	2	50TH ANNIVERSARY LABEL US (USA) (PT-1600/1650)	

MODEL PT-1400/1600/1650 8V2-531-930

**brother**®

Sep., 2003  
8V2050BE0  
Printed in Japan