



P-touch

PARTS REFERENCE LIST

MODEL: PT-H100

PT-H105

MECHANISMS & ELECTRONICS

NOTES FOR USING THIS PARTS REFERENCE LIST

1. When ordering parts, inform us of the following items:

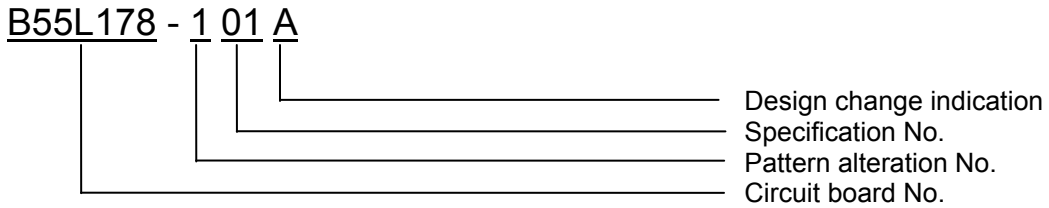
- (1) Code
- (2) Q'ty
- (3) Description
- (4) Symbol (PCB No., Revision, and Parts location mounted on the PCB.)

Note : Orders without Parts Code or Tool No. cannot be accepted.

[Example]

REF. NO.	SYMBOL	CODE	Q'TY	DESCRIPTION	REMARKS
					R

Revision No. : marked on the printed circuit board.



2. Design-changed parts:

When the parts are design-changed, any one of the following symbols is indicated in the REMARKS column.

- CHNG#A: compatible between old and new
- CHNG#B: replaceable from old to new
- CHNG#D: incompatible
- ADD : newly added

3. Parts marked with an "R" in the REMARKS column are recommended spare parts.

4. The original of this list was made based on the information as of Jul., 2012.

5. Parts are subject to change in design without prior notice.

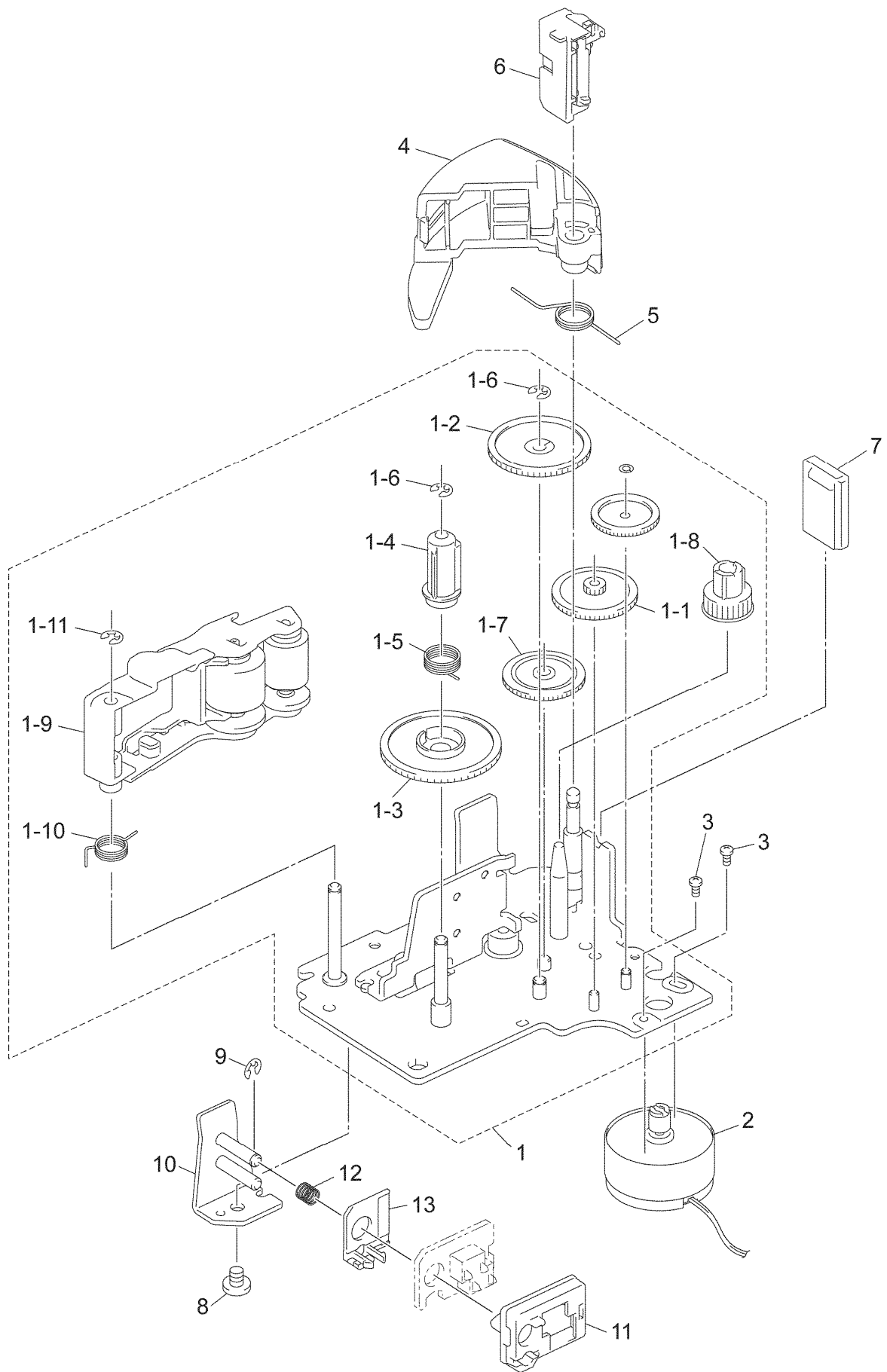
COUNTRIES

- | | | |
|-------------------|--------------------------|-------------------|
| U.S.A. ----- USA | United Kingdom ----- GBR | Denmark ----- DNK |
| Canada ----- CAN | France ----- FRA | Spain ----- ESP |
| Germany ----- DEU | Switzerland ----- CHE | Hungary ----- HUN |

CONTENTS

- 1 . PRINT MECHANISM 1
- 2 . COVERS3
- 3 . MAIN PCB5
- 4 . SENSOR UNIT7
- 5 . LCD UNIT7
- 6 . RUBBER KEY9
- 7 . PRINTED MATTER9
- 8 . PACKING11

1 . PRINT MECHANISM



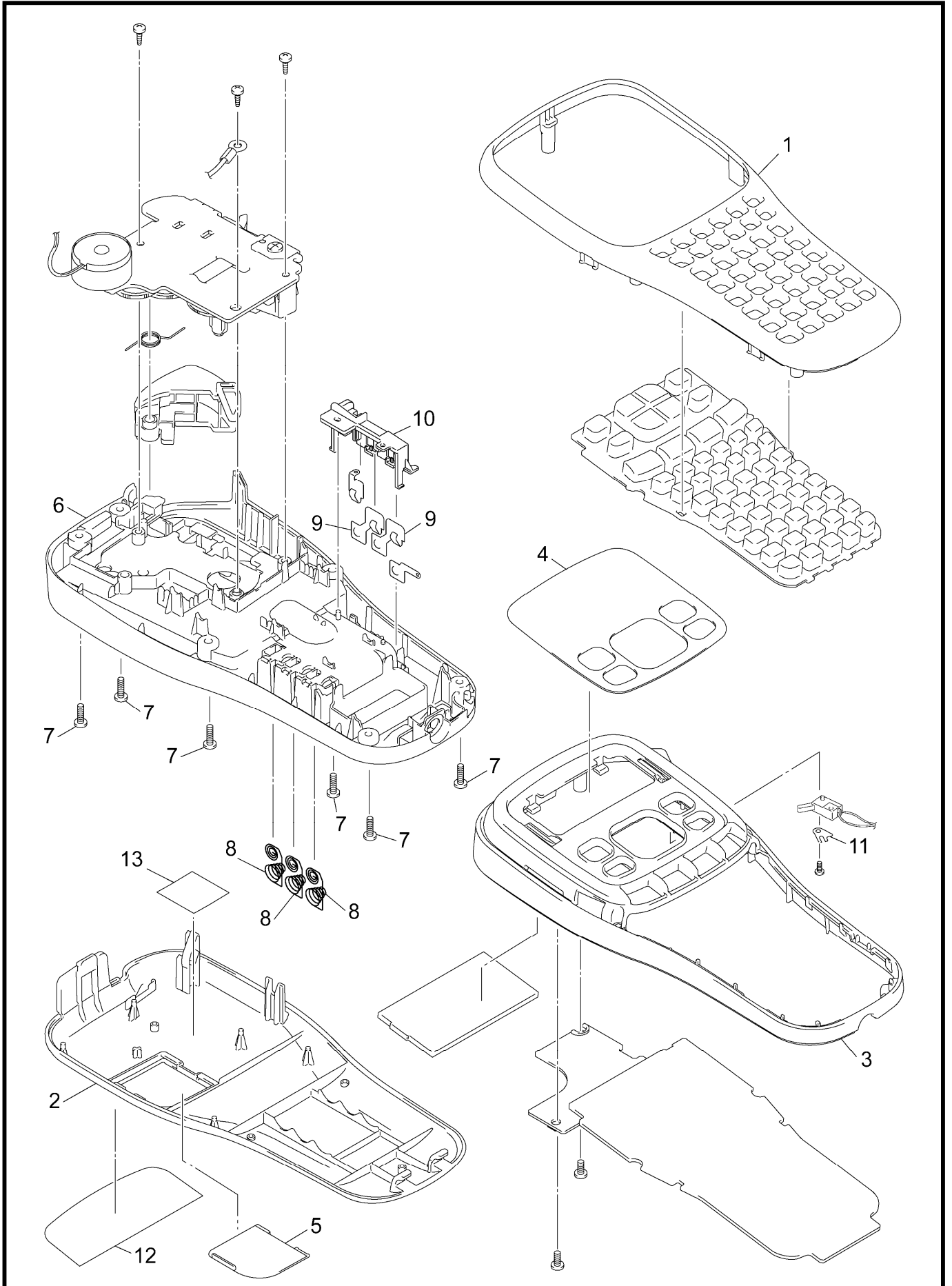
MODEL PT-H100 8VA-131-045

1 . PRINT MECHANISM

REF.NO.	CODE	Q'TY	DESCRIPTION	REMARKS
1	LAB214001	1	FRAME ASSY PT-H100 (SP)	
1-1	LA3193001	1	DOUBLE GEAR 2	
1-2	LA3194001	1	DOUBLE GEAR 3	
1-3	LA3866001	1	RIBBON DRIVE GEAR	
1-4	LA3632001	1	RIBBON DRIVE CAM	
1-5	UN3559001	1	RIBBON CLUTCH SPRING	
1-6	048020346	2	RETAINING RING E2	
1-7	LA3195001	1	IDLE GEAR	
1-8	LA3196001	1	TAPE IDLE GEAR	
1-9	LW4382001	1	ROLLER HOLDER ASSY NTZ12	
1-10	LW4385001	1	ROLLER HOLDER RELEASE SPRING	
1-11	048020346	1	RETAINING RING E2	
2	LW4374001	1	DC MOTOR ASSY TZA12F	
3	LA8420001	2	SCREW PAN M1.7X3	
4	LAA389001	1	CUTTER LEVER H100	
5	LW3788001	1	CUTTER LEVER SPRING 1090	
6	LAA139001	1	CUTTER CASE ASSY TZA	
7	LAA971001	1	BOARD TZA	
8	XC6055021	1	SCREW, BIND M3X3	
9	048020346	1	RETAINING RING E2	
10	LW4386001	1	SENSOR FRAME 12 ASSY	
11	LW4389001	1	SIDE SENSOR HOLDER	
12	LW4346001	1	SIDE SENSOR SPRING	
13	LAA143001	1	SENSOR HOLD PIN TZA12	

MODEL PT-H100 8VA-131-045

2. COVERS



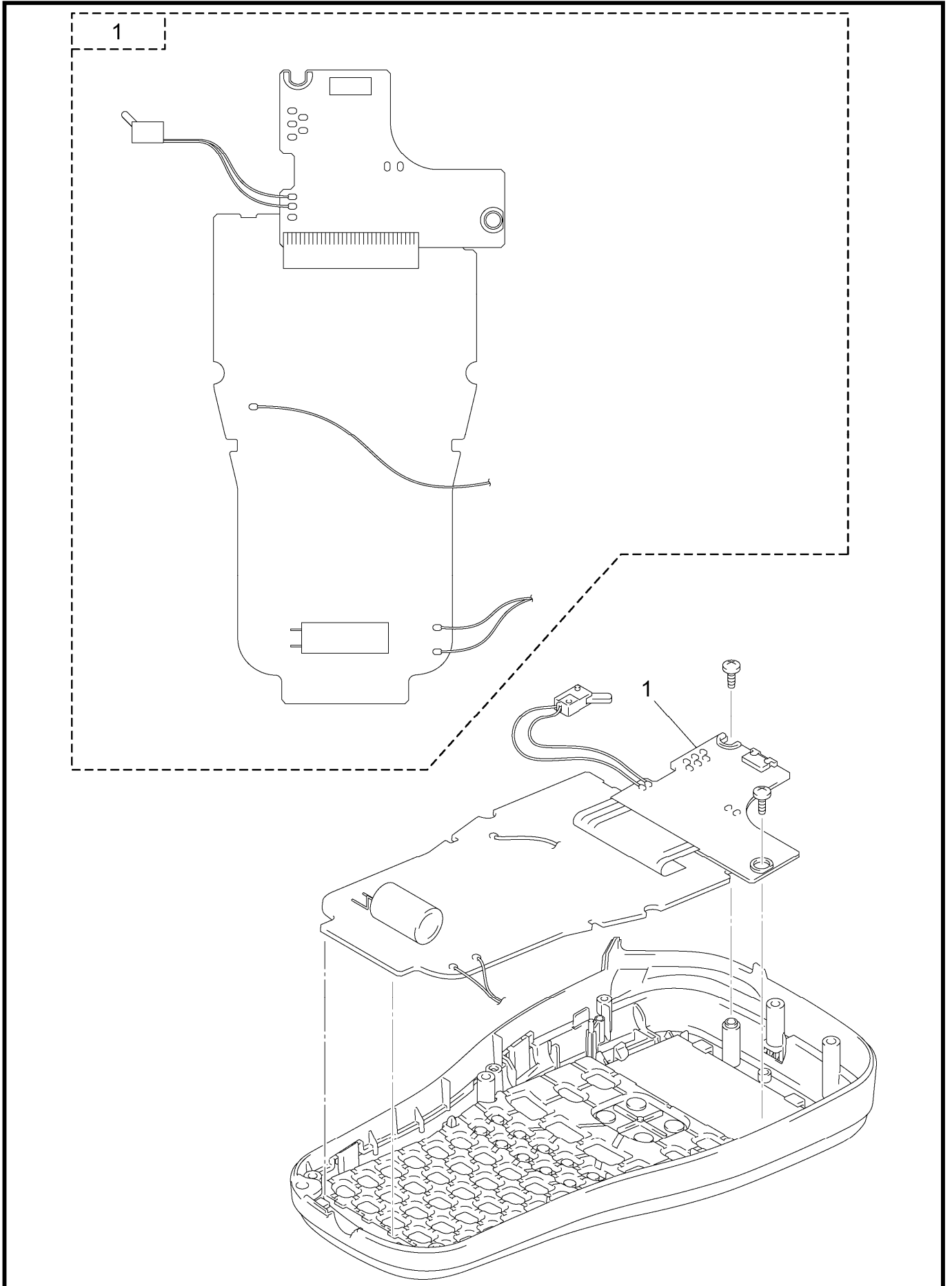
MODEL PT-H100 8VA-131-061

2 . COVERS

REF.NO.	CODE	Q'TY	DESCRIPTION	REMARKS
1	LAA390001	1	UPPER COVER H100	
2	LAA391001	1	CASSETTE COVER H100 (PT-H100)	
2	LAA410001	1	CASSETTE COVER H105 (PT-H105)	
3	LAA392001	1	FLAME COVER H100	
4	LAA393001	1	LCD PANEL H100 US (PT-H100)	
4	LAA456001	1	LCD PANEL H105 EU (PT-H105)	
5	LAA394001	1	CASSETTE PANEL H100	
6	LAA395001	1	BOTTOM COVER H100 (PT-H100)	
6	LAA411001	1	BOTTOM COVER H105 (PT-H105)	
7	085271017	6	TAPTITE BIND B M2.6X10	
8	LAA148001	3	BATTERY SPRING PLUS/MINUS	
9	LA3228000	2	BATTERY TERMINAL B (+ -)	
10	LW1689001	1	TERMINAL PRESS COVER 1010	
11	LAA397001	1	SENSOR HOLD PLATE	
12	LAA398001	1	DECO STICKER H100 US (USA)	
12	LAA412001	1	DECO STICKER H100 EU (OTHER)	
13	LW3670001	1	FCC LABEL S (USA)	
13	LW4062001	1	FCC LABEL S CAN (CAN)	

MODEL PT-H100 8VA-131-061

3 . MAIN PCB



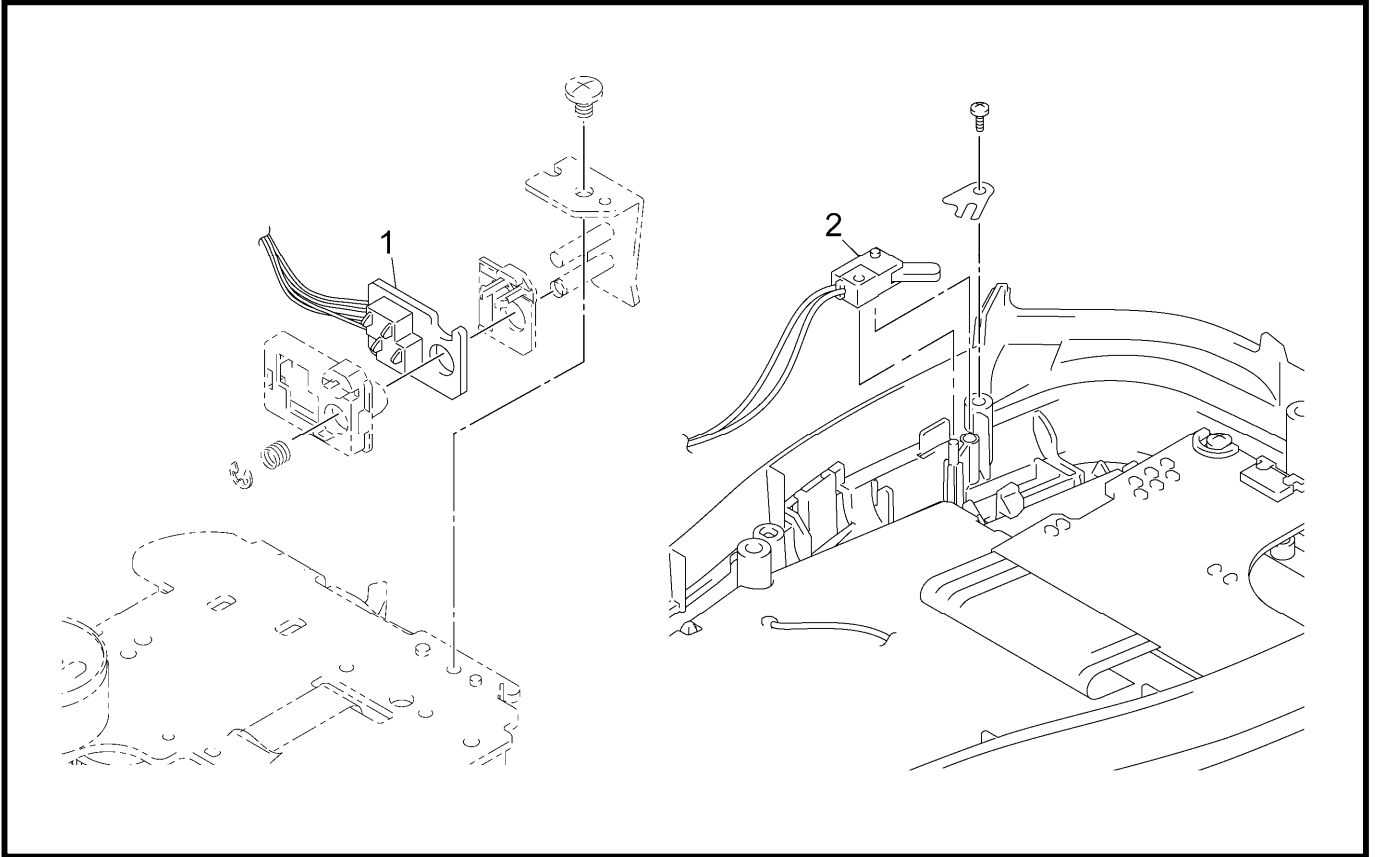
MODEL PT-H100 8VA-131-101

3 . MAIN PCB

REF.NO.	SYMBOL	CODE	Q'TY	DESCRIPTION	REMARKS
1	B55L334-301A	LAA592001	1	MAIN PCB ASSY PT-H100 (PT-H100)	
1	B55L334-302A	LAA592002	1	MAIN PCB ASSY PT-H100 (PT-H105)	

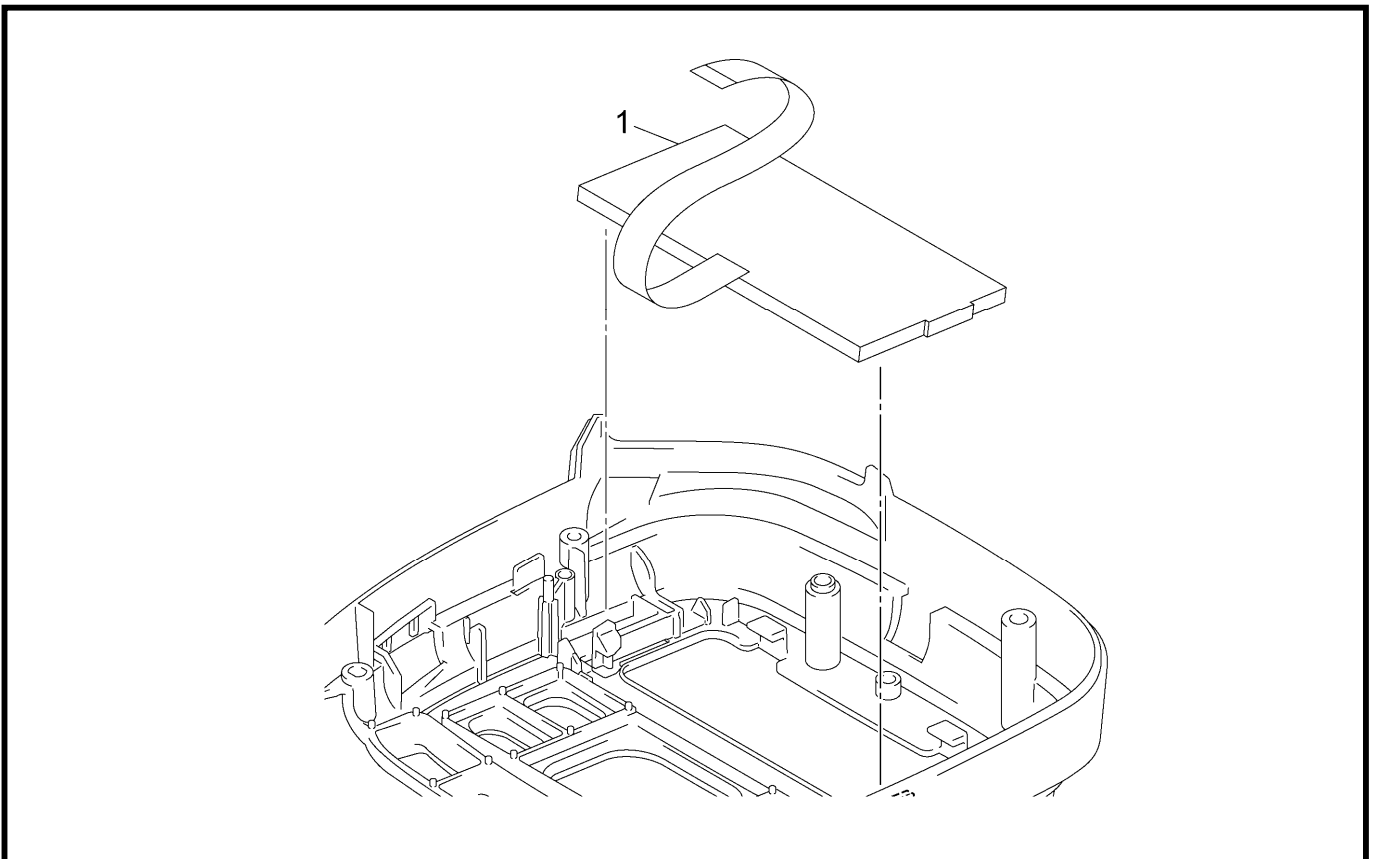
MODEL PT-H100 8VA-131-101

4 . SENSOR UNIT



MODEL PT-H100 8VA-131-100

5 . LCD UNIT



MODEL PT-H100 8VA-131-108

4 . SENSOR UNIT

REF.NO.	CODE	Q'TY	DESCRIPTION	REMARKS
1	LAA117001	1	SIDE SENSOR PCB ASSY D200	
2	LW3846001	1	CUTTER SENSOR ASSY 1090	

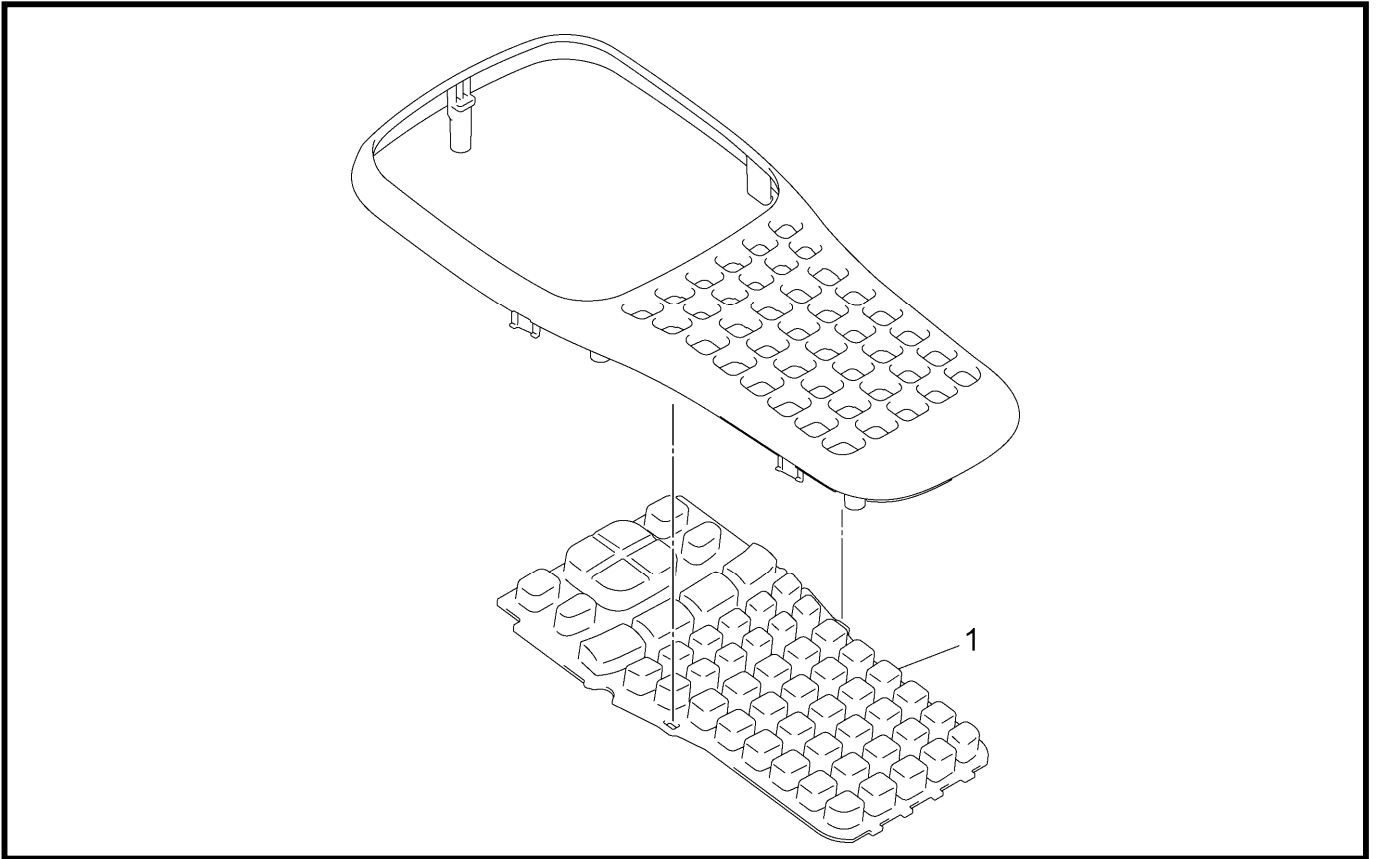
MODEL PT-H100 8VA-131-100

5 . LCD UNIT

REF.NO.	CODE	Q'TY	DESCRIPTION	REMARKS
1	A40248001	1	LCDM:BTC-1201E	

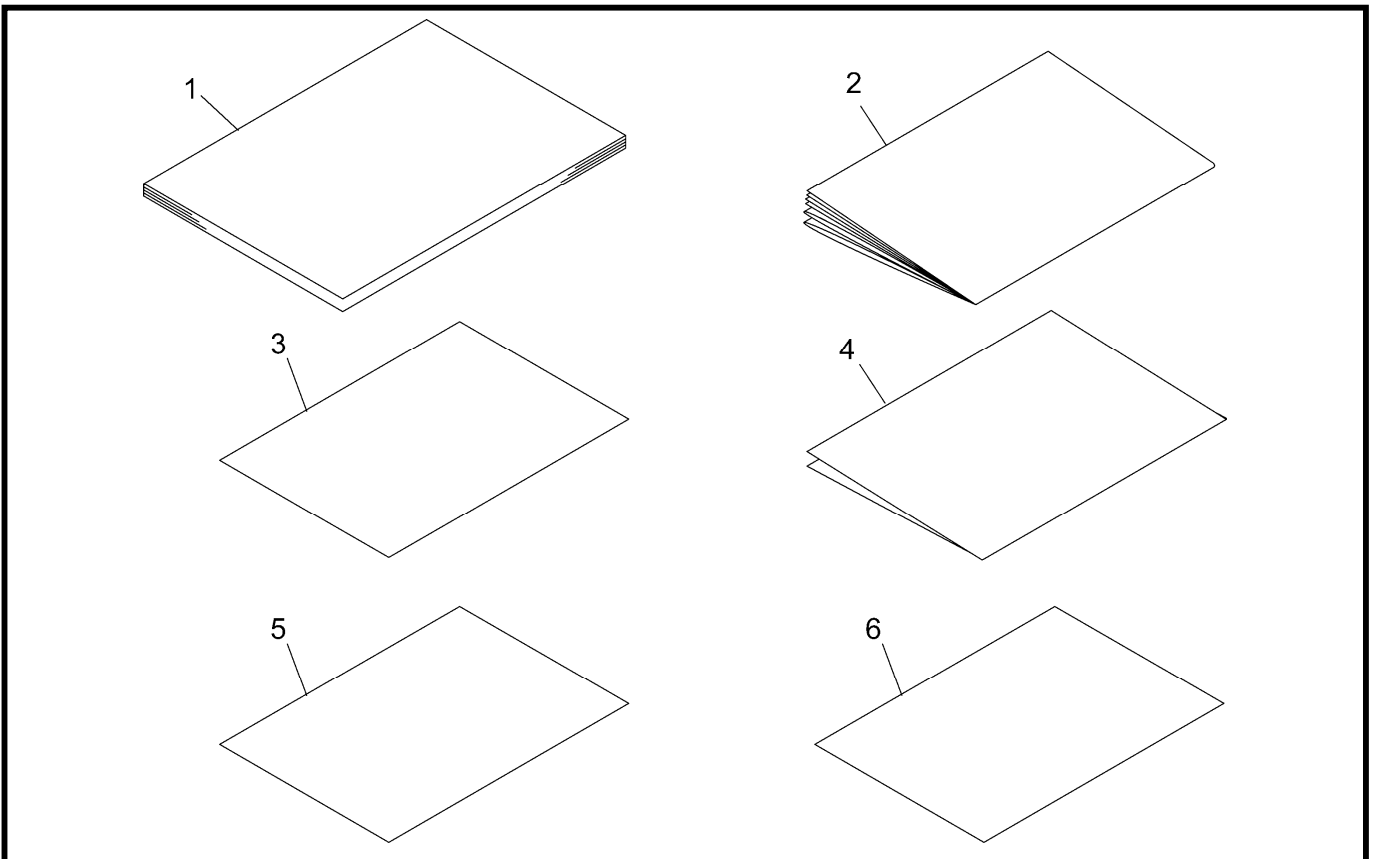
MODEL PT-H100 8VA-131-108

6 . RUBBER KEY



MODEL PT-H100 8VA-131-003

7 . PRINTED MATTER



MODEL PT-H100 8VA-131-920

6 . RUBBER KEY

REF.NO.	CODE	Q'TY	DESCRIPTION	REMARKS
1	LAA388001	1	RUBBER 54 KEY H100 US (USA)	
1	LAA409001	1	RUBBER 54 KEY H100 UK (OTHER)	

MODEL PT-H100 8VA-131-003

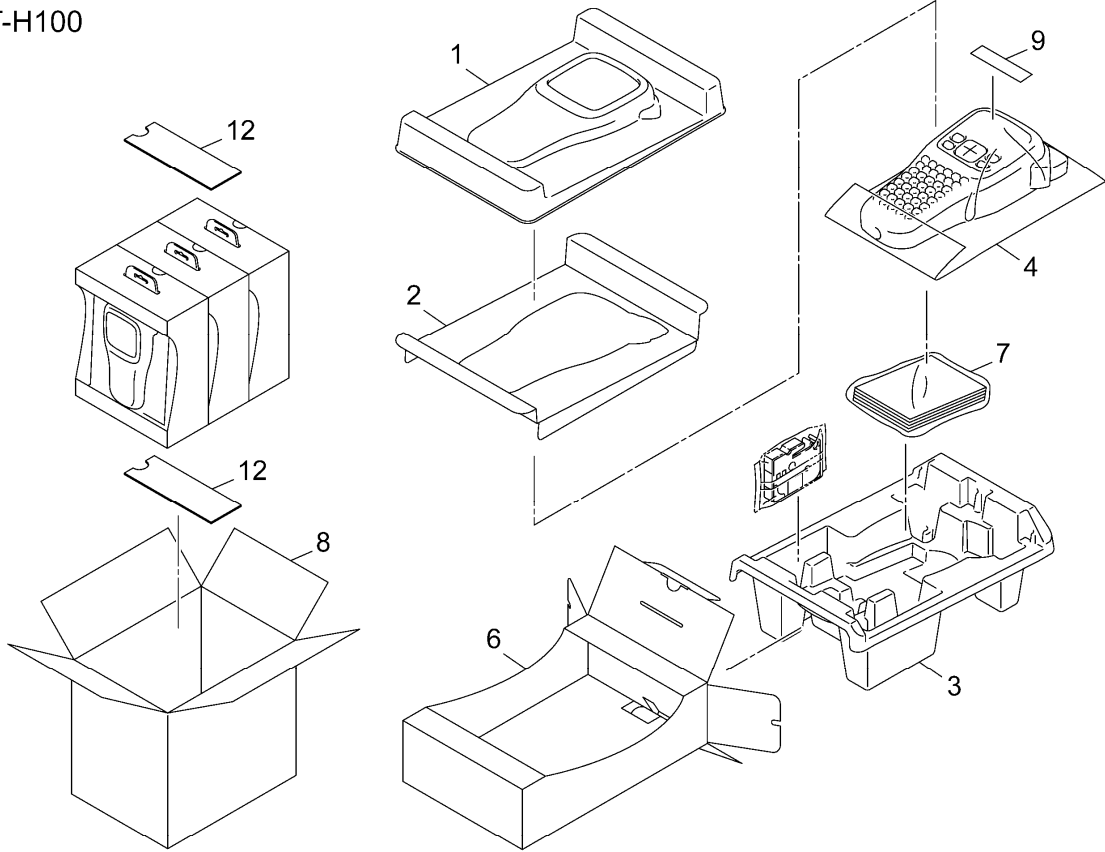
7 . PRINTED MATTER

REF.NO.	CODE	Q'TY	DESCRIPTION	REMARKS
1	LAA204001	1	USER'S MANUAL H100 US (USA)	
1	LAB030001	1	USER'S MANUAL H100 CAN (CAN)	
1	LAB020001	1	USER'S MANUAL H105 GER/ITA (DEU/FRA/CHE)	
1	LAA205001	1	USER'S MANUAL H105 GBR (GBR/HUN)	
1	LAB021001	1	USER'S MANUAL H105 FRE/DUT (FRA/CHE)	
1	LAB022001	1	USER'S MANUAL H105 FIN/SWE (DNK)	
1	LAB023001	1	USER'S MANUAL H105 DAN/NOR (DNK)	
1	LAB024001	1	USER'S MANUAL H105 SPA/POR (ESP)	
1	LAB025001	1	USER'S MANUAL H105 CZE/BUL (HUN)	
1	LAB026001	1	USER'S MANUAL H105 POL/HUN (HUN)	
1	LAB027001	1	USER'S MANUAL H105 SVK/SVN (HUN)	
1	LAB028001	1	USER'S MANUAL H105 CRO/ROM (HUN)	
2	LW8644001	1	TZE TAPE CATALOG USA (USA)	
2	LAA719001	1	TZE TAPE CATALOG CAN (CAN)	
2	LW7733001	1	TAPE CATALOG OFFICE A (DEU/GBR/FRA/CHE/ESP)	
2	LW7734001	1	TAPE CATALOG OFFICE B (DNK)	
2	LW7735001	1	TAPE CATALOG OFFICE C (HUN)	
3	LN9325001	1	WARRANTY CARD USA CH (USA)	
3	LW3356001	1	1YEAR WARRANTY CARD CAN (CAN)	
3	LW6916001	1	WARRANTY CARD EURO (GBR/FRA/CHE/DNK/ESP)	
3	LM4756001	1	WARRANTY CARD IRE (GBR)	
3	LW2157001	1	3YEAR WARRANTY CARD UK (GBR)	
3	LW2661001	1	WARRANTY CARD FRA (FRA)	
3	LJ5400001	1	WARRANTY CARD SPA (ESP)	
3	LM2652001	1	WARRANTY CARD POR (ESP)	
3	LW3135001	1	CEE WARRANTY CARD (HUN)	
4	LN6297001	1	REGISTER INSERTION US CH (USA)	
5	LW7758001	1	WEEE & BATTERY INSERTION EU (DEU/GBR/FRA/CHE/DNK/ESP/HUN)	
6	LAA645001	1	ACCESSORY ORDER FORM LIST (USA)	
6	LAB015001	1	ACCESSORY ORDER FORM LIST CAN (CAN)	

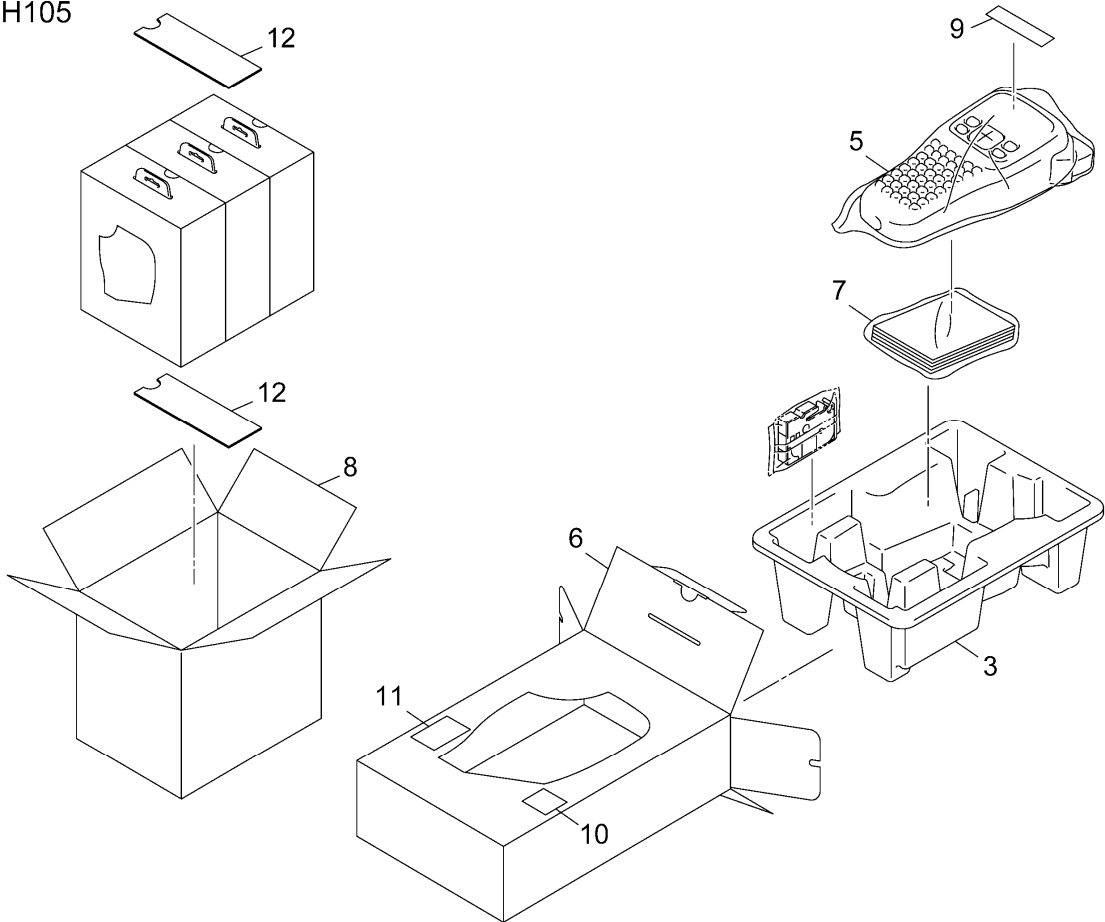
MODEL PT-H100 8VA-131-920

8 . PACKING

PT-H100



PT-H105



MODEL PT-H100 8VA-131-930

8 . PACKING

REF.NO.	SYMBOL	CODE	Q'TY	DESCRIPTION	REMARKS
1		LAA400001	1	BLISTER UPPER H100 (PT-H100)	
2		LAB181001	1	COLOR SHEET H100 US (USA)	
2		LAA401001	1	COLOR SHEET H100 (CAN)	
3		LAA402000	1	PAD LOWER H100 US (PT-H100)	
3		LAA416001	1	PAD LOWER H100 EU (PT-H105)	
4		LAB169001	1	PROTECTION SHEET H100 (PT-H100)	
5		LA6496001	1	BAG 230X280 (PT-H105)	
6		LAA403001	1	CARTON H100 US (USA)	
6		LAB058001	1	CARTON H100 CAN (CAN)	
6		LAA415001	1	CARTON H105 EU (PT-H105)	
7		LW5701001	1	PE BAG 134X170	
8		LAA405001	1	CARTON (X3) H100 US (PT-H100)	
8		LAA418001	1	CARTON (X3) H100 EU (PT-H105)	
9		LAA404001	1	LCD MYLAR LABEL H100 US (CAN)	
9		LAA417001	1	LCD MYLAR LABEL H105 EU (PT-H105)	
10		LW3751001	1	3YR GUARANTEE MYLAR LABEL GER (DEU)	
11		LN6939001	1	AUSTRIA LABEL SMALL (HUN)	
12		LAA704000	2	PAD 71X183	

MODEL PT-H100 8VA-131-930

brother®