

Fig 1.1 : Standard Bore and Optional Bore Dimensions

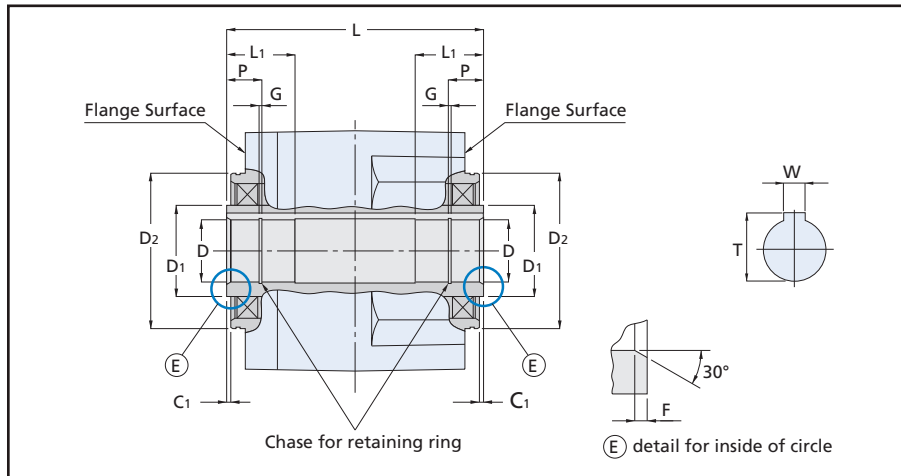


Fig 1.2 : Standard Bore and Optional Bore Dimensions

Frame	Standard or Option	Special Code (Note)	D	W	T	G	D1 in (mm)	D2 in (mm)	L in (mm)	L1 in (mm)	P in (mm)	C1 in (mm)	F in (mm)
F3S20	Standard		0.7500 in +0.0013/+0.0005	0.1875 in	0.838 in	0.039 in	1.1417 (29)	2.0866 in +0.0/-0.0012 (53 h7)	3.78 (96)	0.94 (24)	0.51 (13)	0.08 (2)	0.08 (2)
	Option	F2	20 mm +0.033/+0.012	6 mm	22.8 mm	1.15 mm							
F3S25	Standard		1.0000 in +0.0013/+0.0005	0.2500 in	1.114 in	0.046 in	1.5354 (39)	2.5984 in +0.0/-0.0012 (66 h7)	4.65 (118)	1.06 (27)	0.55 (14)	0.08 (2)	0.08 (2)
	Option	FF	0.7500 in +0.0013/+0.0005	0.1875 in	0.838 in	0.039 in							
	Option	F3	25 mm +0.033/+0.012	8 mm	28.3 mm	1.35 mm							
F3S30	Standard		1.2500 in +0.0013/+0.0005	0.2500 in	1.366 in	0.056 in	1.7323 (44)	2.9528 in +0.0/-0.0012 (75 h7)	4.88 (124)	1.3 (33)	0.67 (17)	0.08 (2)	0.08 (2)
	Option	FG	1.0000 in +0.0013/+0.0005	0.2500 in	1.114 in	0.046 in							
	Option	F4	30 mm +0.033/+0.012	8 mm	33.3 mm	1.35 mm							
F3S35	Standard		1.2500 in +0.0013/+0.0005	0.2500 in	1.366 in	0.056 in	1.9291 (49)	3.3465 in +0.0/-0.0014 (85 h7)	5.59 (142)	1.5 (38)	0.79 (20)	0.08 (2)	0.08 (2)
	Option	FG	1.0000 in +0.0013/+0.0005	0.2500 in	1.114 in	0.046 in							
	Option	FI	1.3750 in +0.0015/+0.0007	0.3125 in	1.520 in	0.056 in							
	Option	FA	1.4375 in +0.0015/+0.0007	0.3750 in	1.606 in	0.056 in							
	Option	F5	35 mm +0.039/+0.019	10 mm	38.3 mm	1.75 mm							
F3S45	Standard		1.3750 in +0.0015/+0.0007	0.3125 in	1.520 in	0.056 in	2.5197 (64)	3.9370 in +0.0/-0.0014 (100 h7)	6.61 (168)	1.97 (50)	1.02 (26)	0.08 (2)	0.08 (2)
	Option	FJ	1.5000 in +0.0015/+0.0007	0.3750 in	1.669 in	0.056 in							
	Option	FB	1.6875 in +0.0015/+0.0007	0.3750 in	1.858 in	0.068 in							
	Option	F7	45 mm +0.039/+0.019	14 mm	48.8 mm	1.95 mm							
F3S50	Standard		1.5000 in +0.0015/+0.0007	0.3750 in	1.669 in	0.056 in	2.9134 (74)	4.3307 in +0.0/-0.0014 (110 h7)	6.77 (172)	2.17 (55)	1.14 (29)	0.08 (2)	0.08 (2)
	Option	FC	1.9375 in +0.0015/+0.0007	0.5000 in	2.161 in	0.068 in							
	Option	F8	50 mm +0.039/+0.019	14 mm	53.8 mm	2.20 mm							
F3S55	Standard		2.0000 in +0.0015/+0.0007	0.5000 in	2.224 in	0.068 in	3.1102 (79)	4.7244 in +0.0/-0.0014 (120 h7)	8.66 (220)	2.4 (61)	1.26 (32)	0.08 (2)	0.08 (2)
	Option	FC	1.9375 in +0.0015/+0.0007	0.5000 in	2.161 in	0.068 in							
	Option	F9	55 mm +0.046/+0.021	16 mm	59.3 mm	2.20 mm							

Fig 1.3 : Metric Tolerances (mm)

Dimension	Bore : H7 (Ref D2)
Over 18-30 mm	+0.000/-0.021
Over 30-50 mm	+0.000/-0.030
Over 50-80 mm	+0.000/-0.035