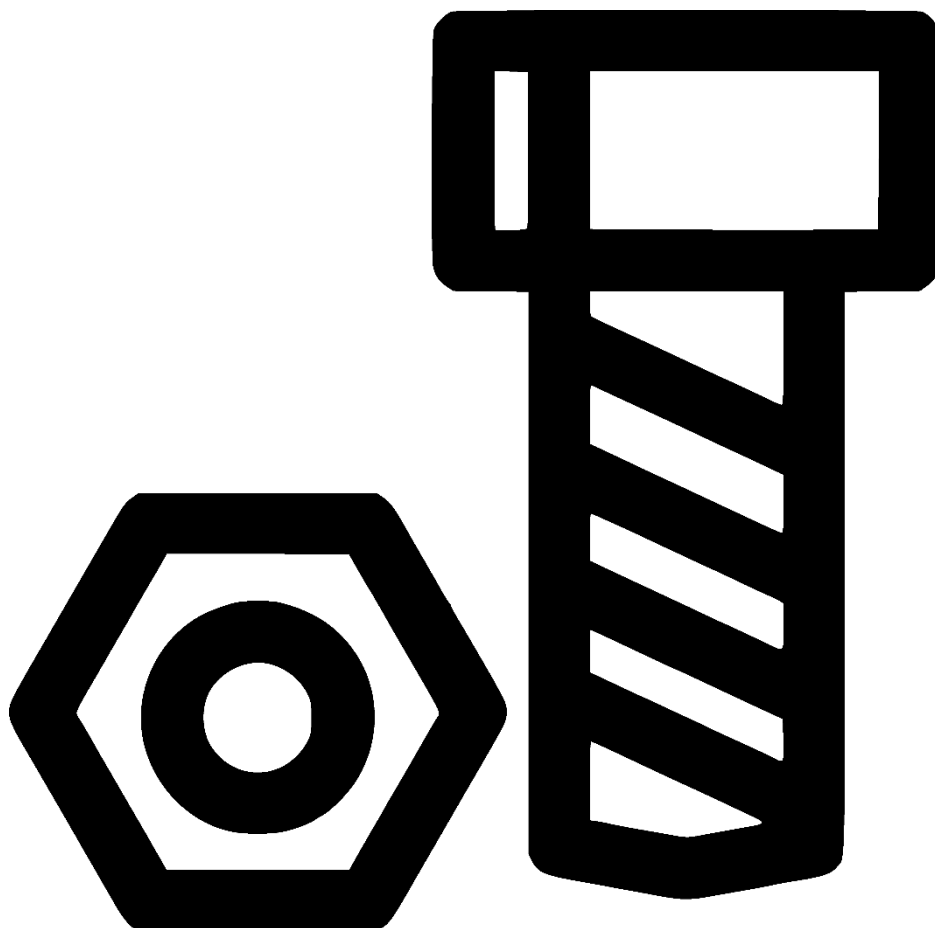


SPARE PARTS BOOK

9280SPV - FEED OF THE ARM

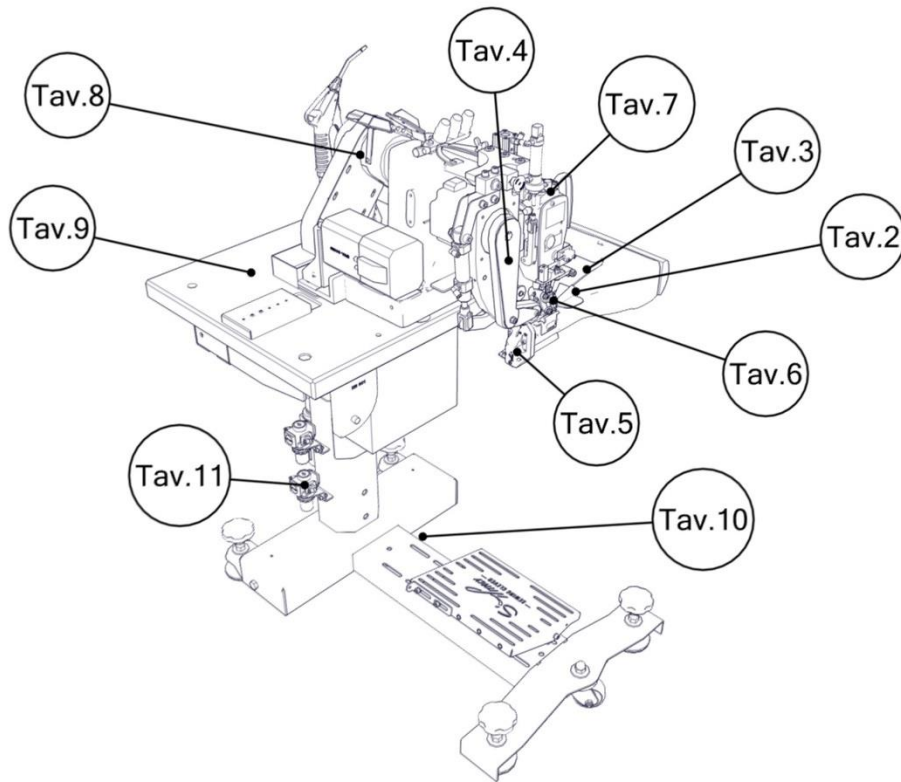


White page.

TAV.1. GENERAL VIEW

Notes for using this parts book

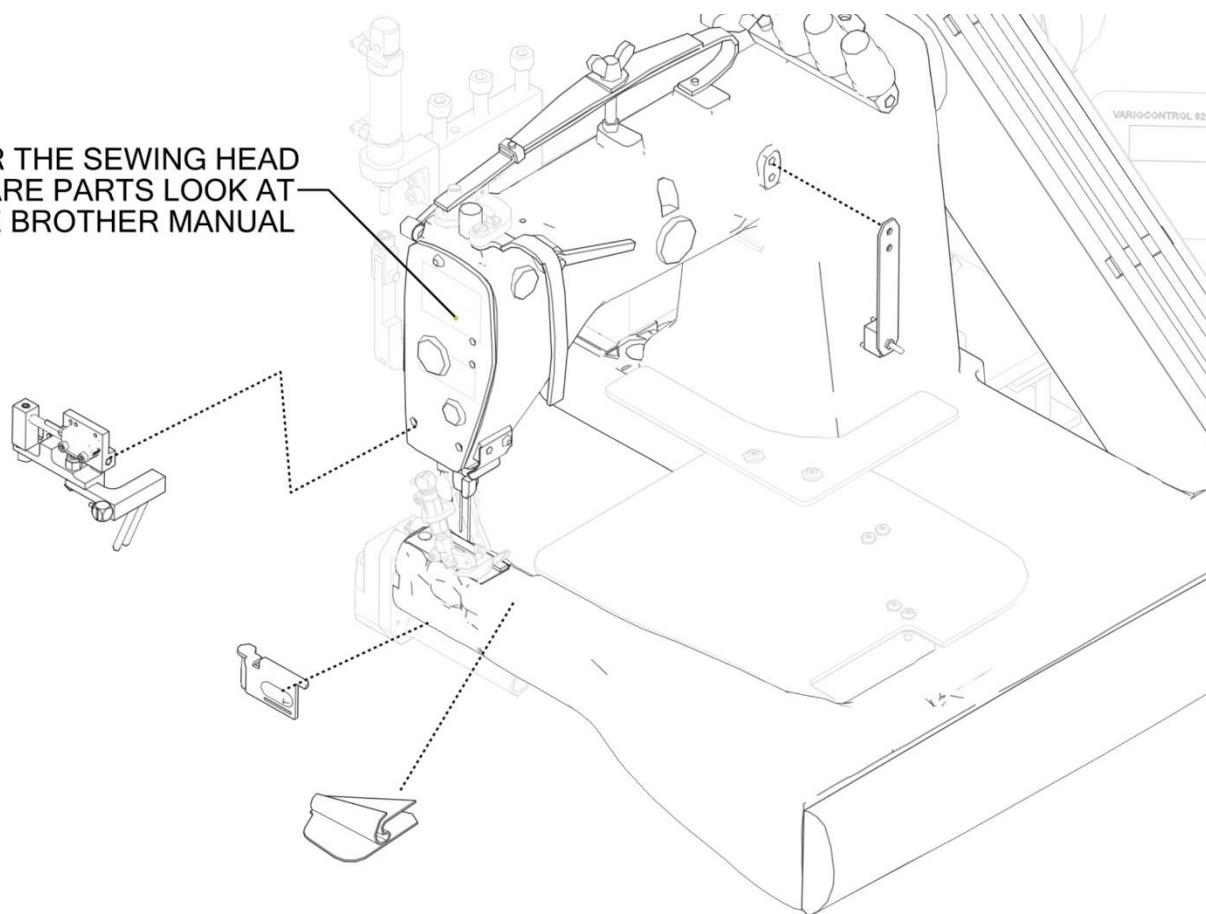
- 1) This book was prepared based on information available in April 2017.
- 2) Parts are subject to changes in design without prior notice.
- 3) Parts supplied as complete assemblies are circled by a dashed line.



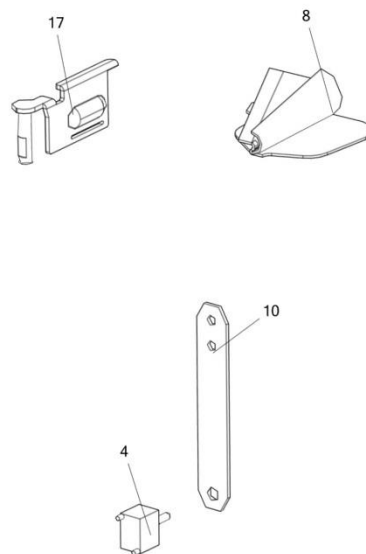
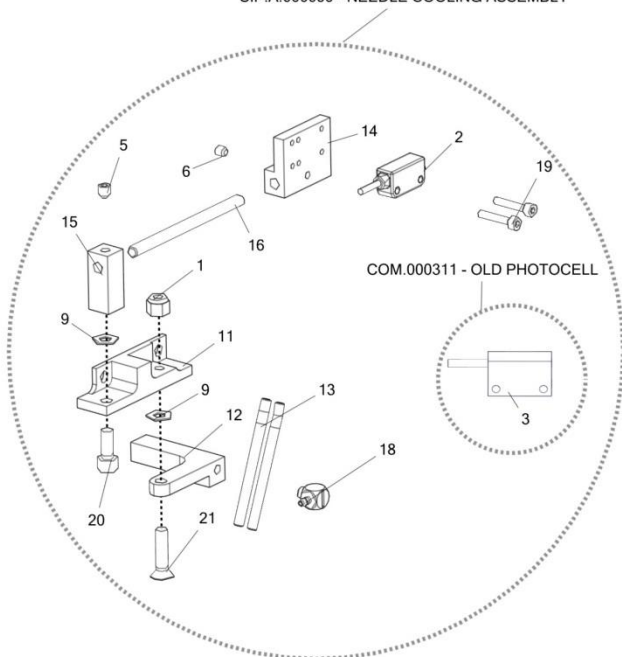
| | | |
|---------|-----------------------------|----|
| TAV.1. | GENERAL VIEW | 2 |
| TAV.2. | HEAD ACCESSORIES | 3 |
| TAV.3. | INTERNAL PLATE | 5 |
| TAV.4. | PULLER ASSEMBLY | 6 |
| TAV.5. | THREAD CUTTER ASSEMBLY..... | 9 |
| TAV.6. | PRESSER FOOT ASSEMBLY | 11 |
| TAV.7. | HIGH PRESSURE DEVICE | 13 |
| TAV.8. | MOTOR ASSEMBLY | 14 |
| TAV.9. | TABLE ACCESSORIES | 18 |
| TAV.10. | STAND ASSEMBLY | 20 |
| TAV.11. | AIR GROUP | 21 |
| TAV.12. | NEEDLE GAUGE OPTION | 23 |

TAV.2. HEAD ACCESSORIES

FOR THE SEWING HEAD
SPARE PARTS LOOK AT
THE BROTHER MANUAL

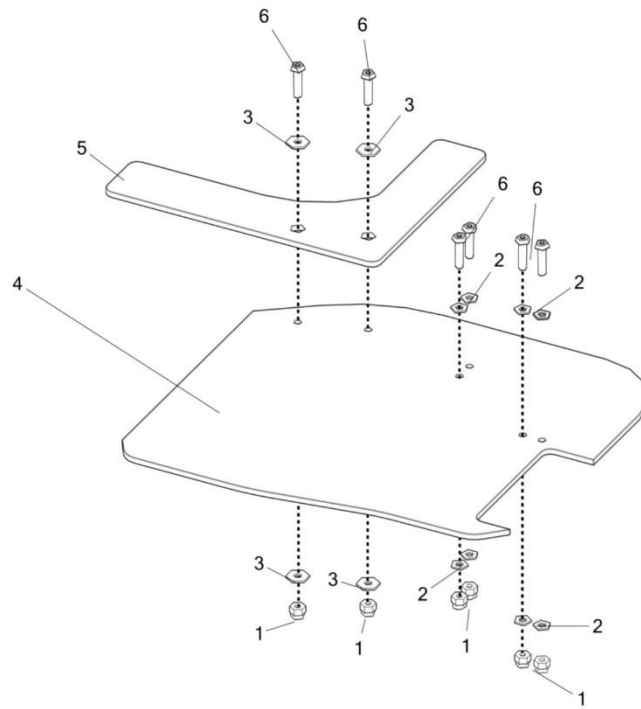
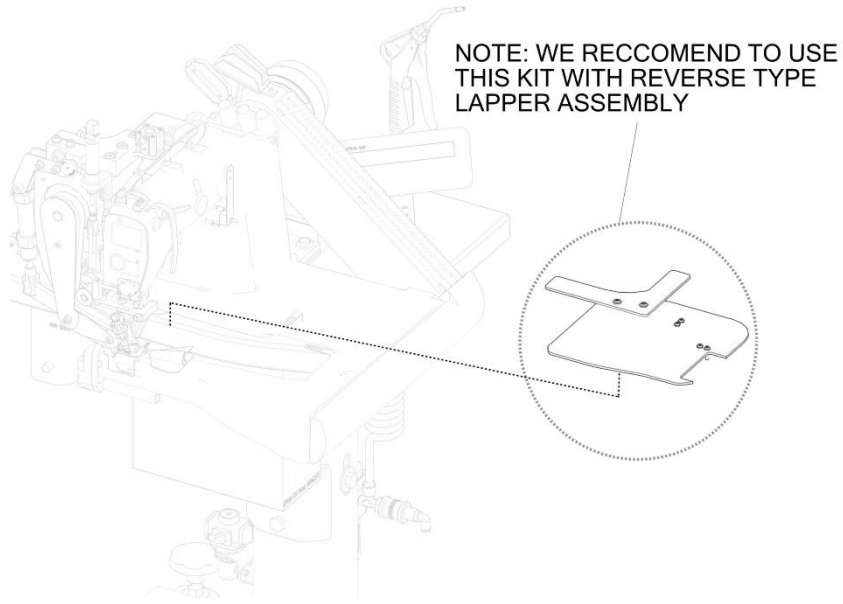


SIP.A.000099 - NEEDLE COOLING ASSEMBLY



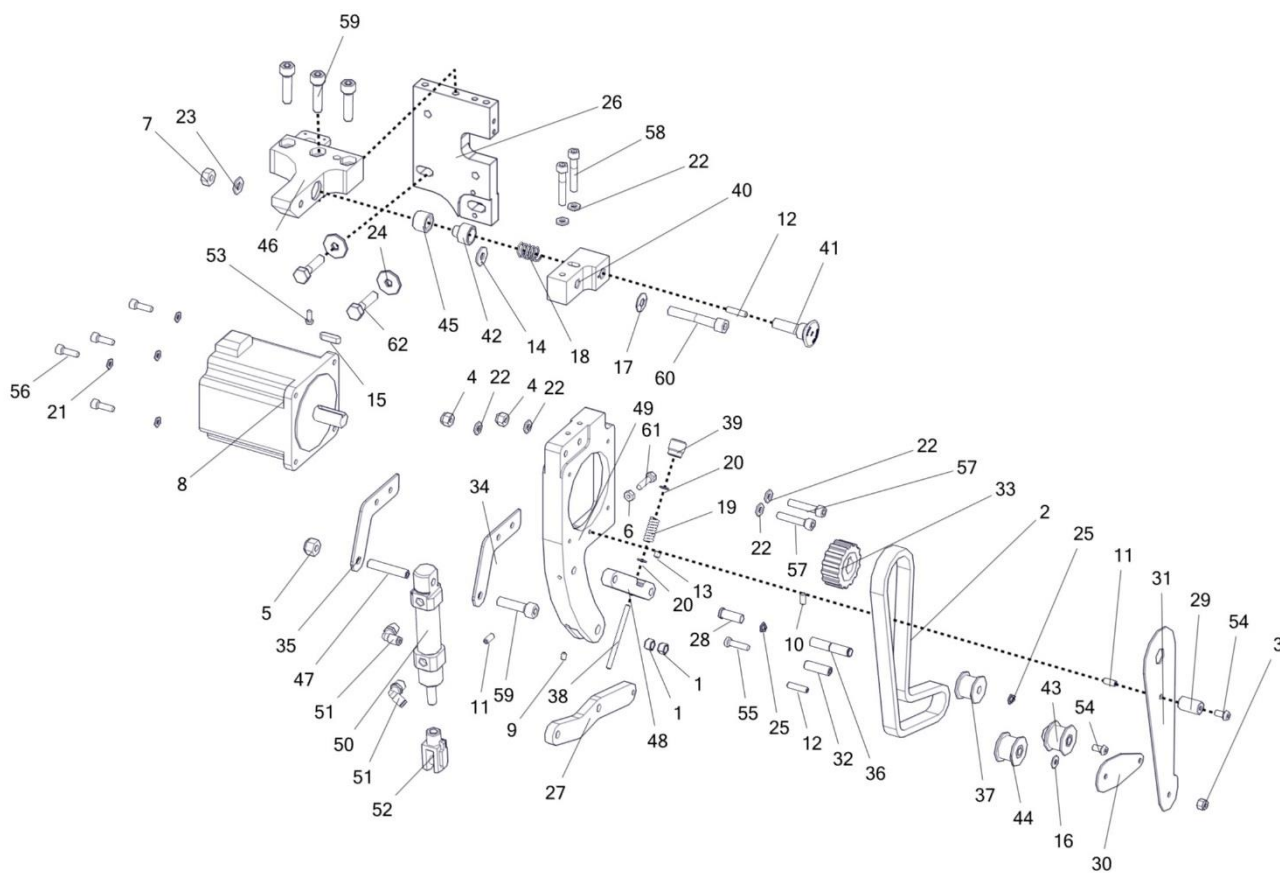
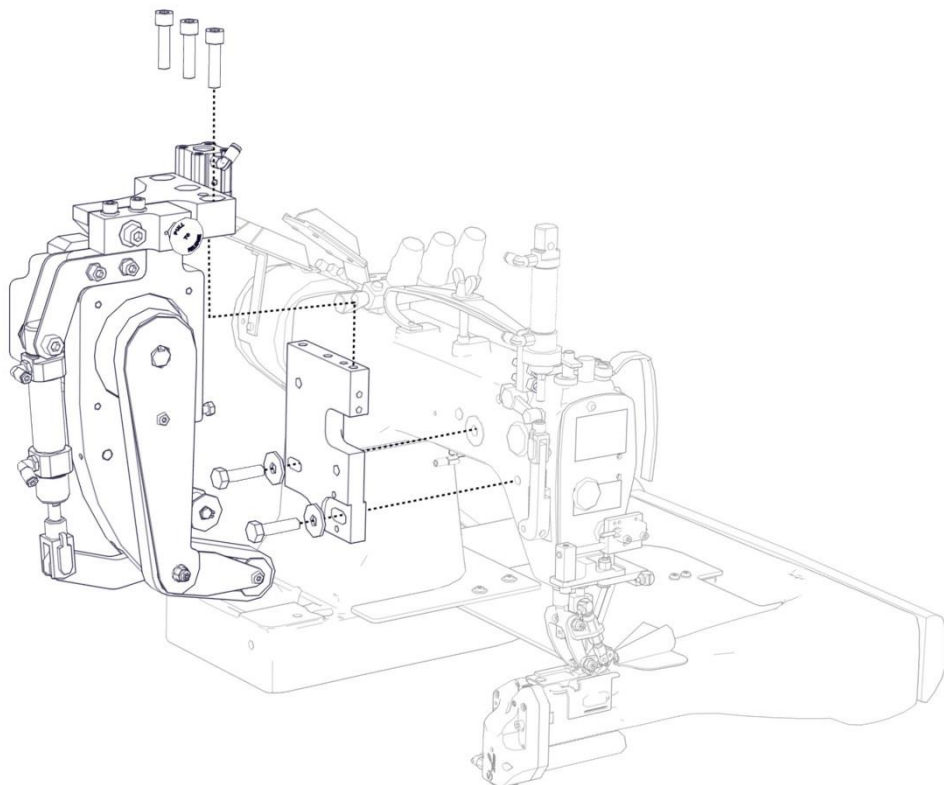
| ID BOM | CODE | DESCRIPTION | Q.TY |
|--------|-------------------|--|------|
| 1 | DEABISO7040M5 | Hexagon Self Locking Nut with Plastic Insert ISO 7040 - M5 | 1 |
| 2 | COM.001317 | BLUE PHOTOCELL SENSOR | 1 |
| 3 | COM.000311 | PHOTOCELL TAKEX GSM2RSN | 1 |
| 4 | COM.000388 | MINI SWITCH | 1 |
| 5 | GEICISO4029M5X5 | Hexagon Socket Set Screw with Cup Point ISO 4029 - M5X5 | 1 |
| 6 | GEIPISO4026M4X4 | Hexagon Socket Set Screw with Flat Point ISO 4026 - M4X4 | 1 |
| 8 | COM.000670 | TABLE 23 | 1 |
| 9 | REOUNI8840B-M5 | Elastic Waved Washer M4 | 2 |
| 10 | SIP.P.000189S | SWITCH PLATE | 1 |
| 11 | SIP.P.000190 | ACCESSORIES SUPPORT PLATE | 1 |
| 12 | SIP.P.000207 | NEEDLE COOLING BODY | 1 |
| 13 | SIP.P.000208 | NEEDLE COOLING NOOZLES | 2 |
| 14 | SIP.P.000209 | PHOTOCELL SUPPORT | 1 |
| 15 | SIP.P.000434 | PHOTOCELL PIVOTING | 1 |
| 16 | SIP.P.000929 | PHOTOCELLS SHAFT L70 | 1 |
| 17 | SIP.P.002444 | LOOPER COVER | 1 |
| 18 | COM.000595 | MINI FITTIING M-5ALU-4 | 1 |
| 19 | VTCEIISO4762M3X16 | Hexagon Socket Head Cap Screw ISO 4762 - M3X16 | 2 |
| 20 | VTCEIISO4762M5X12 | Hexagon Socket Head Cap Screw ISO 4762 - M5X12 | 3 |
| 21 | VTSEIISO4762M5X20 | Hexagon Socket Countersunk Head Screw ISO 10642 - M5X20 | 1 |

TAV.3. INTERNAL PLATE



| ID BOM | CODE | DESCRIPTION | Q.TY |
|--------|-------------------|--|------|
| 1 | DEABISO7040M4 | Hexagon Self Locking Nut with Plastic Insert ISO 7040 - M4 | 6 |
| 2 | RPISO70894 | Plain Washer - 4 | 8 |
| 3 | RPLISO7093-4 | Large Plain Washer - 4 | 4 |
| 4 | SIP.P.001722 | INTERNAL PLATE | 1 |
| 5 | SIP.P.001723 | PLATE FITTING | 1 |
| 6 | VTBEIISO7380M4X16 | Hexagon Socket Pan Head Cap Screw ISO 7380 - M4X16 | 6 |

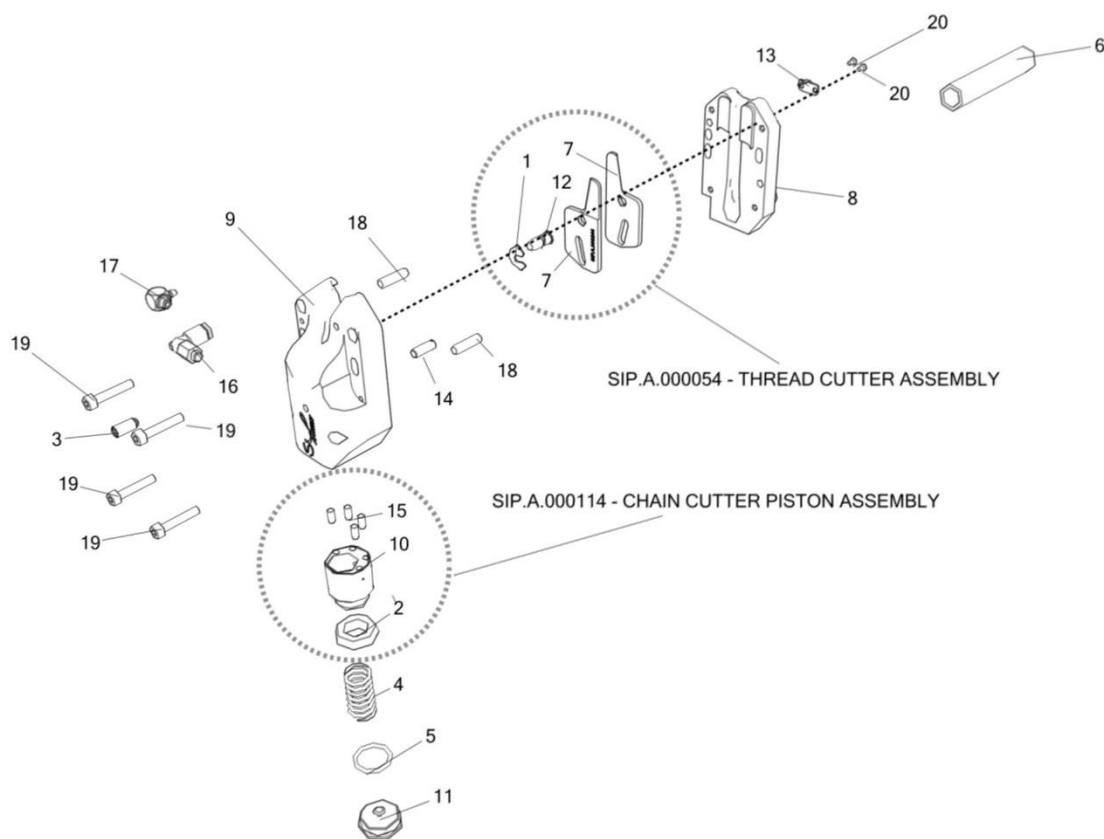
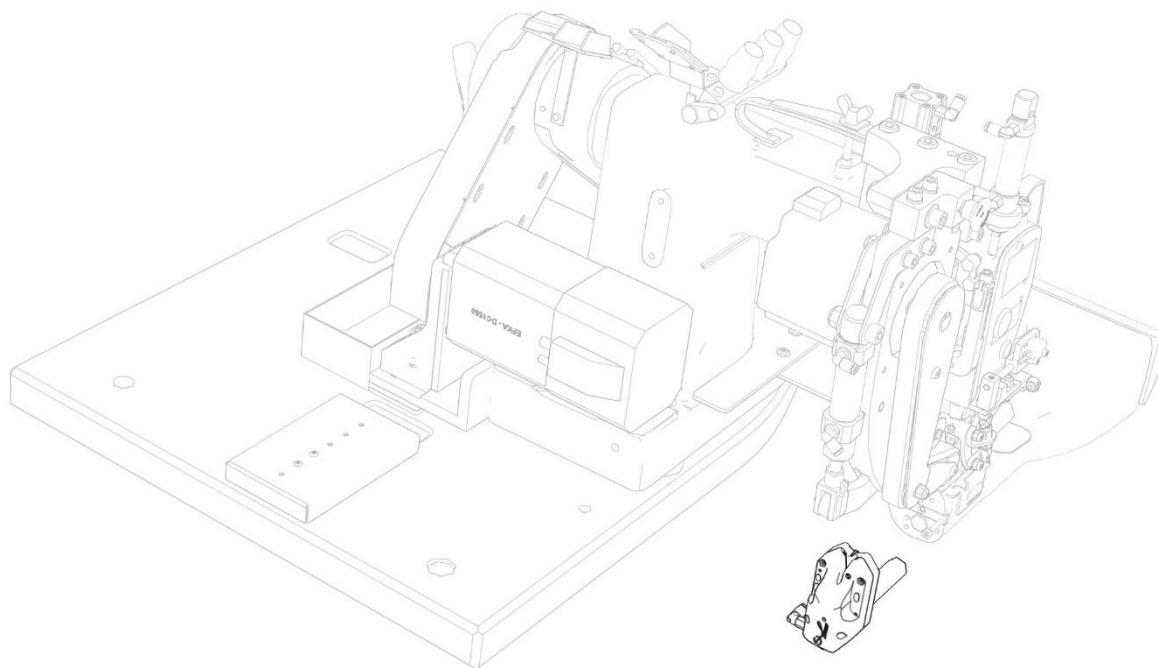
TAV.4. PULLER ASSEMBLY



| ID BOM | CODE | DESCRIPTION | Q.TY |
|--------|------------------|--|------|
| 1 | COM.000314 | BUSHING 10-08-06 | 2 |
| 2 | COM.000933/N | CUSTOM BELT PULLER | 1 |
| 3 | DEABISO7040M5 | Hexagon Self Locking Nut with Plastic Insert ISO 7040 - M5 | 1 |
| 4 | DEABISO7040M6 | Hexagon Self Locking Nut with Plastic Insert ISO 7040 - M6 | 2 |
| 5 | DEABISO7040M8 | Hexagon Self Locking Nut with Plastic Insert ISO 7040 - M8 | 1 |
| 6 | DEISO4032M5 | Hexagon Nut ISO 4032 - M5 | 1 |
| 7 | DEISO4032M8 | Hexagon Nut ISO 4032 - M8 | 1 |
| 8 | COM.000325 | SANYODENKY MOTOR SM2862-5155 | 1 |
| 9 | GEIPISO4026M4X6 | Hexagon Socket Set Screw with Flat Point ISO 4026 - M4X6 | 1 |
| 10 | GEIPISO4026M5X10 | Hexagon Socket Set Screw with Flat Point ISO 4026 - M5X10 | 1 |
| 11 | GEIPISO4026M5X12 | Hexagon Socket Set Screw with Flat Point ISO 4026 - M5X12 | 2 |
| 12 | GEIPISO4026M5X20 | Hexagon Socket Set Screw with Flat Point ISO 4026 - M5X20 | 1 |
| 13 | GEIPISO4026M5X5 | Hexagon Socket Set Screw with Flat Point ISO 4026 - M5X5 | 1 |
| 14 | COM.000980 | IGUS-GTM-0818-015 | 1 |
| 15 | COM.000326 | PARALLEL KEY UNI 6604 A 5x5x20 | 1 |
| 16 | COM.001616 | SPRING WASHER DIN2093 12X5,2X0,8 | 1 |
| 17 | COM.001276 | SPRING WASHER DIN2093 18X8,2X0,8 | 1 |
| 18 | COM.000360 | COMPRESSION SPRING | 1 |
| 19 | COM.000319 | COMPRESSION SPRING | 1 |
| 20 | RPISO70894 | Plain Washer - 4 | 8 |
| 21 | RPISO70895 | Plain Washer - 5 | 4 |
| 22 | RPISO70896 | Plain Washer - 6 | 5 |
| 23 | RPISO70898 | Plain Washer - 8 | 1 |
| 24 | RPLISO7093-8 | Large Plain Washer - 8 | 2 |
| 25 | COM.000318 | SEEGER-UNI7435-D8 | 2 |
| 26 | SIP.P.000191 | INTERFACE PLATE | 1 |
| 27 | SIP.P.000222 | BELT SUPPORT LEVER | 1 |
| 28 | SIP.P.000224 | BLOCKING PIN | 1 |
| 29 | SIP.P.000226 | CARTER SPACER | 1 |
| 30 | SIP.P.000227 | LOWER CARTER | 1 |
| 31 | SIP.P.000228 | MAIN CARTER | 1 |
| 32 | SIP.P.000229 | SHAFT LOWER PULLEY | 1 |
| 33 | SIP.P.000230 | PULLEY Z14 | 1 |
| 34 | SIP.P.000232 | LATCH PISTON PLATE | 1 |
| 35 | SIP.P.000233 | LATCH PISTON PLATE | 1 |
| 36 | SIP.P.000251 | BELT TENSIONER SHAFT | 1 |
| 37 | SIP.P.000252 | BELT TENSIONER BUSH | 1 |
| 38 | SIP.P.000253 | BELT TENSIONER THREADED SHAFT | 1 |
| 39 | SIP.P.000254 | BELT TENSIONER KNOB | 1 |
| 40 | SIP.P.000255 | LATCH SPRING SUPPORT | 1 |
| 41 | SIP.P.000256 | LATCH SPRING KNOB | 1 |
| 42 | SIP.P.000257 | LATCH SPRING PIN | 1 |
| 43 | SIP.P.000259 | LOWER PULLEY | 1 |
| 44 | SIP.P.000260 | CENTRAL PULLEY | 1 |
| 45 | SIP.P.000261 | CONICAL CENTERING BUSHING | 1 |
| 46 | SIP.P.000262 | SUPPORT MOTOR PLATE | 1 |
| 47 | SIP.P.000274 | LINKING SHAFT LOWER ROD | 1 |

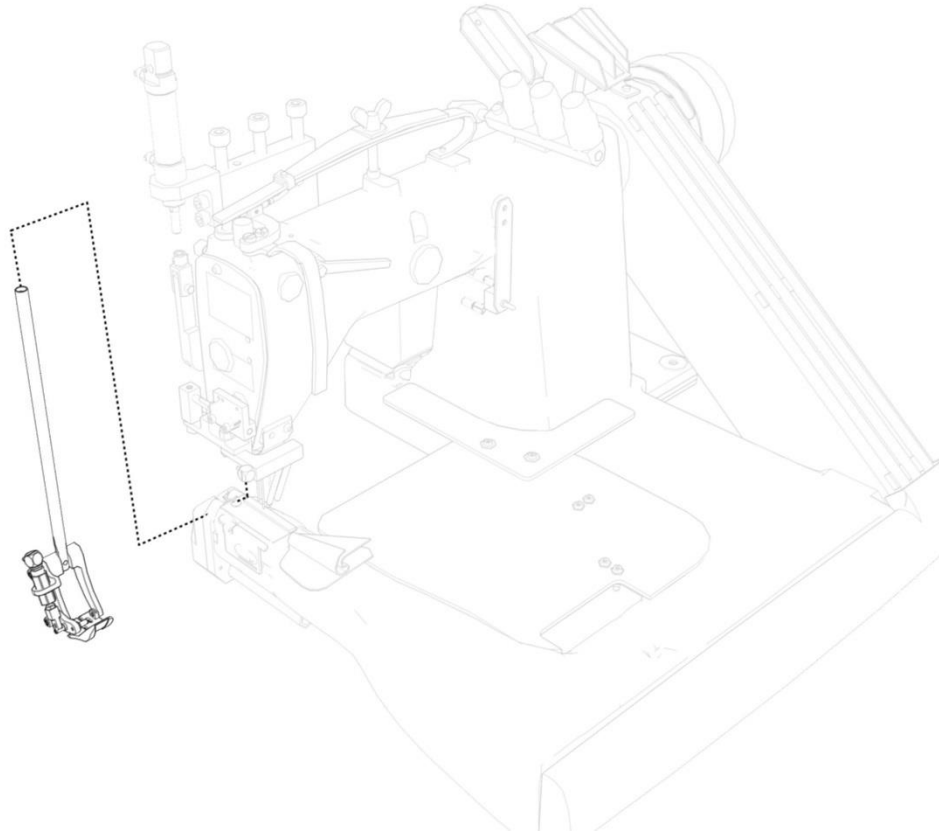
| ID BOM | CODE | DESCRIPTION | Q.TY |
|--------|---------------------|--|------|
| 48 | SIP.P.001678 | BELT TENSIONER SUPPORT | 1 |
| 49 | SIP.P.001679 | STEPPING MOTOR SUPPORT | 1 |
| 50 | COM.000321 | CYLINDER C85N20-20 | 1 |
| 51 | COM.000324 | FITTING KQ2L04-01AS | 2 |
| 52 | COM.000323 | FORC JOINT GKM8-16 | 1 |
| 53 | VTBEISO7380M4X10 | Hexagon Socket Pan Head Cap Screw ISO 7380 - M4X10 | 1 |
| 54 | VTBEISO7380M5X10 | Hexagon Socket Pan Head Cap Screw ISO 7380 - M5X10 | 2 |
| 55 | VTBEISO7380M5X20 | Hexagon Socket Pan Head Cap Screw ISO 7380 - M5X20 | 1 |
| 56 | VTCEISO4762M5X16 | Hexagon Socket Head Cap Screw ISO 4762 - M5X16 | 4 |
| 57 | VTCEISO4762M6X30 | Hexagon Socket Head Cap Screw ISO 4762 - M6X30 | 2 |
| 58 | VTCEISO4762M6X35 | Hexagon Socket Head Cap Screw ISO 4762 - M6X35 | 2 |
| 59 | VTCEISO4762M8X30 | Hexagon Socket Head Cap Screw ISO 4762 - M8X30 | 3 |
| 60 | VTCEISO4762M8X50 | Hexagon Socket Head Cap Screw ISO 4762 - M8X50 | 1 |
| 61 | VTEISO4017M5X20 | Hexagon Screw ISO 4017 - M5X20 | 1 |
| 62 | VTEUNF5/16-24X1-1/4 | Hexagon Screw UNF - 5/16-24X1-1/4 | 2 |

TAV.5. THREAD CUTTER ASSEMBLY

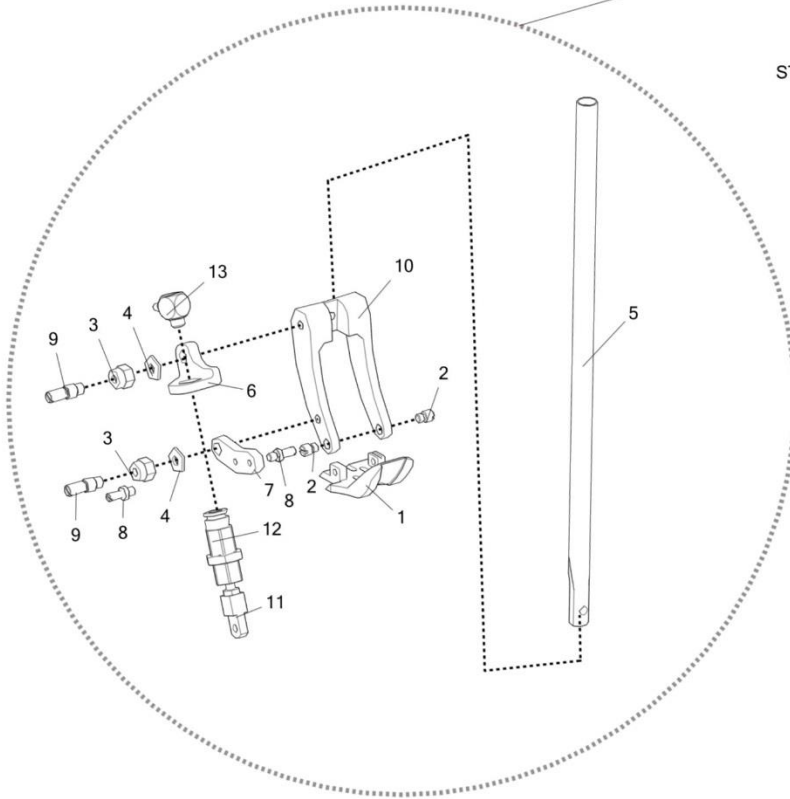


| ID BOM | CODE | DESCRIPTION | Q.TY |
|--------|------------------|---|------|
| 1 | COM.000597 | ELASTIC RING WA-SL 5 | 1 |
| 2 | COM.000598 | PISTON LIP RING ASIMMETRIC DEM 20-12 | 1 |
| 3 | COM.000603 | SPRING PLUNGER WITH BALL AND SLOT M4 | 1 |
| 4 | COM.000303 | COMPRESSION SPRING | 1 |
| 5 | COM.000508 | OR NBR 70Sh 1.78X15.60 2062 | 1 |
| 6 | COM.000351 | AIR HOSE Din=12 Sp=2 | 1 |
| 7 | SIP.P.000214 | THREAD CUTTER BLADE | 2 |
| 8 | SIP.P.000215 | BODY THREAD CUTTER | 1 |
| 9 | SIP.P.000217 | COVER THREAD CUTTER | 1 |
| 10 | SIP.P.000218 | PISTON | 1 |
| 11 | SIP.P.000219 | LOWER CAP | 1 |
| 12 | SIP.P.000461 | CHAIN CUTTER BLADE PIN | 1 |
| 13 | SIP.P.000462 | LIGHT FABRIC SUPPORT | 1 |
| 14 | SIP.P.000463 | CHAIN CUTTER BLADE PIN | 1 |
| 15 | SIP.P.000475 | PISTON RUBBER BUMPER | 4 |
| 16 | COM.000310 | FITTING KQ2L04-M5A | 2 |
| 17 | COM.000595 | MINI FITTIING M-5ALU-4 | 1 |
| 18 | SCISO87344X14 | Parallel Pin ISO 8734 - 4X14 | 2 |
| 19 | VTCEISO4762M3X16 | Hexagon Socket Head Cap Screw ISO 4762 - M3X16 | 2 |
| 20 | VTSICISO7046M2X4 | Cross Recessed Countersunk Head Screw ISO 7046 - M2X4 | 2 |

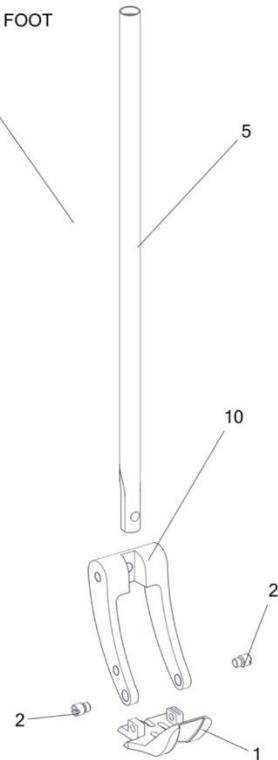
TAV.6. PRESSER FOOT ASSEMBLY



SIP.A.000328 - DYNAMIC PRESSER FOOT

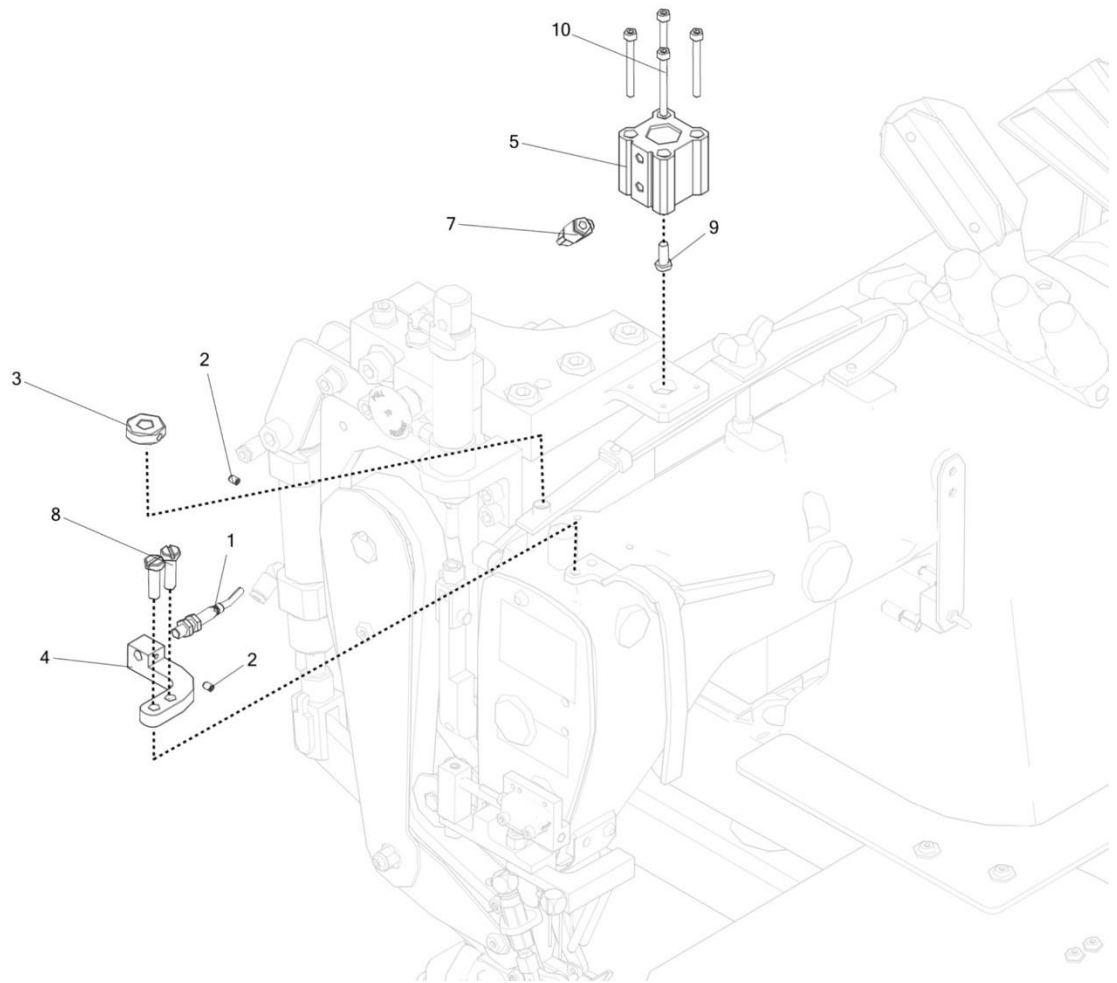


STANDARD PRESSER FOOT



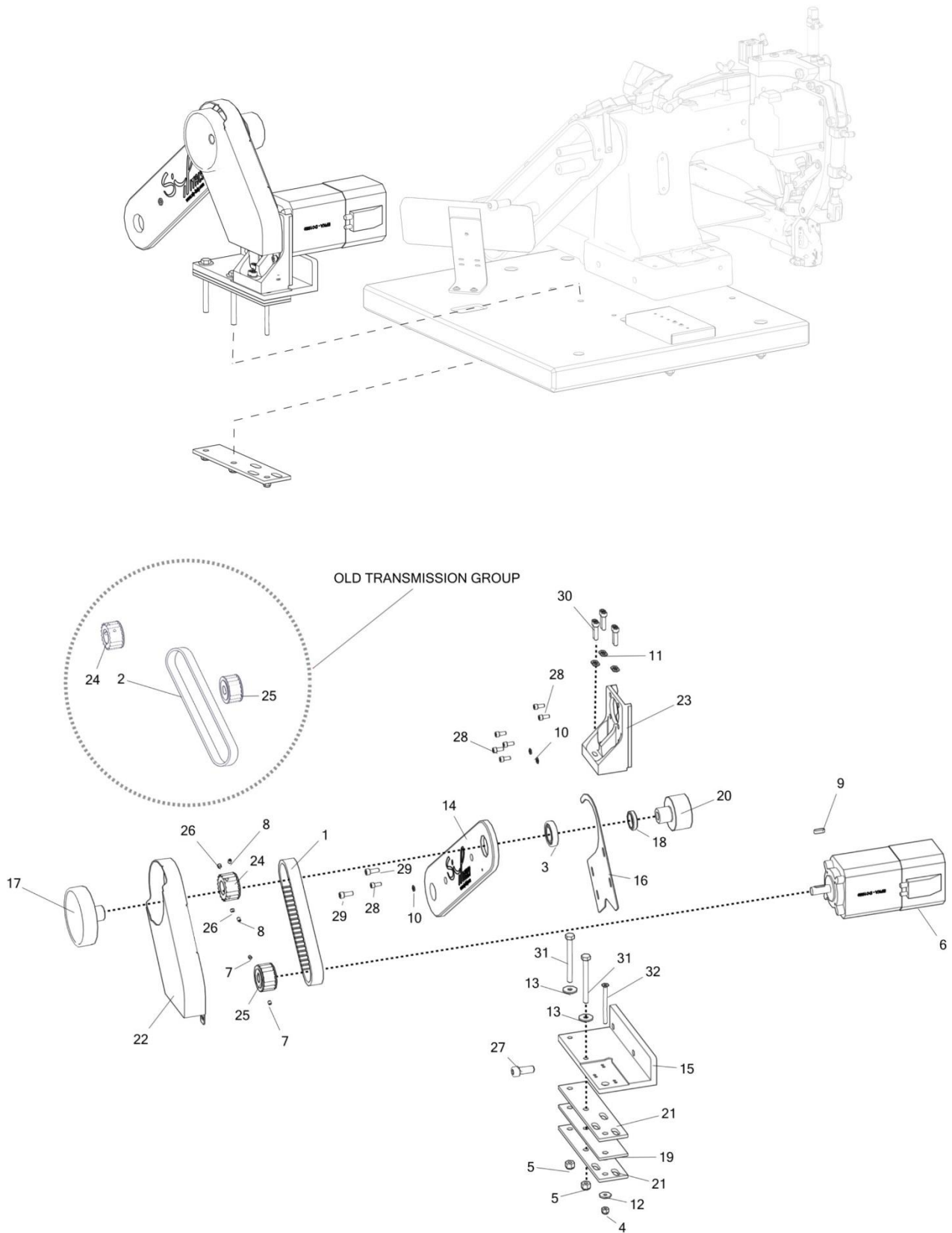
| ID BOM | CODE | DESCRIPTION | Q.TY |
|--------|----------------|--|------|
| 1 | COM.001137 | PRESSER FOOT 1/4" | 1 |
| 2 | COM.001138 | PRESSER FOOT SCREW | 2 |
| 3 | DEABISO7040M4 | Hexagon Self Locking Nut with Plastic Insert ISO 7040 - M4 | 6 |
| 4 | RCNFE25-511-M4 | Contact Washer NF E 25-511 M4 | 2 |
| 5 | S06260001 | NEEDLE BAR | 1 |
| 6 | SIP.P.001325 | CYLINDER SUPPORT | 1 |
| 7 | SIP.P.001326 | PRESSER FOOT LEVERAGE | 1 |
| 8 | SIP.P.001329 | MICROCYLINDER PIVOT | 2 |
| 9 | SIP.P.001422 | M4 PIVOT | 2 |
| 10 | SIP.P.001927 | FOOT PRESSER SUPPORT | 1 |
| 11 | SIP.P.002417 | CYLINDER HEAD | 1 |
| 12 | COM.000608 | MINI CYLINDER CJPB6-10 | 1 |
| 13 | COM.000595 | MINI FITTIING M-5ALU-4 | 1 |

TAV.7. HIGH PRESSURE DEVICE



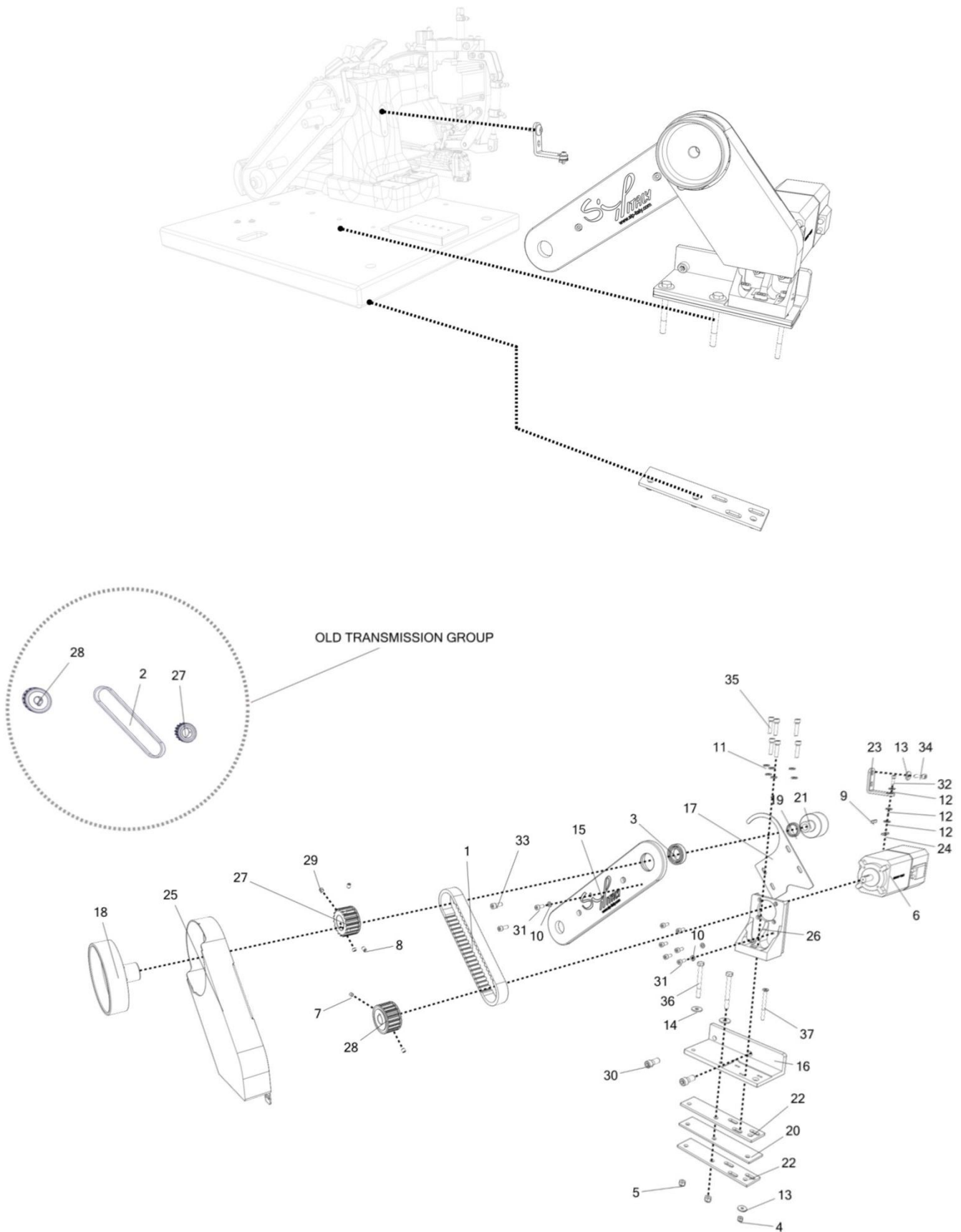
| ID BOM | CODE | DESCRIPTION | Q.TY |
|--------|------------------|--|------|
| 1 | COM.000578 | PROXIMITY SENSOR M5 NPN NO uscita cavo | 1 |
| 2 | GEIPISO4026M3X4 | Hexagon Socket Set Screw with Flat Point ISO 4026 - M3X4 | 2 |
| 3 | SIP.P.000192 | SENSITIVE RING | 1 |
| 4 | SIP.P.000205 | PROXIMITY SUPPORT | 1 |
| 5 | COM.000322 | CYLINDER CQ2B16-10D | 1 |
| 6 | COM.000324 | FITTING KQ2L04-01AS | 2 |
| 7 | COM.000310 | FITTING KQ2L04-M5A | 2 |
| 8 | VS-TCCW3_16X16 | Special Screw W3/16-32X16 | 2 |
| 9 | VTBEISO7380M4X10 | Hexagon Socket Pan Head Cap Screw ISO 7380 - M4X10 | 1 |
| 10 | VTCEISO4762M3X30 | Hexagon Socket Head Cap Screw ISO 4762 - M3X30 | 4 |

TAV.8. MOTOR ASSEMBLY



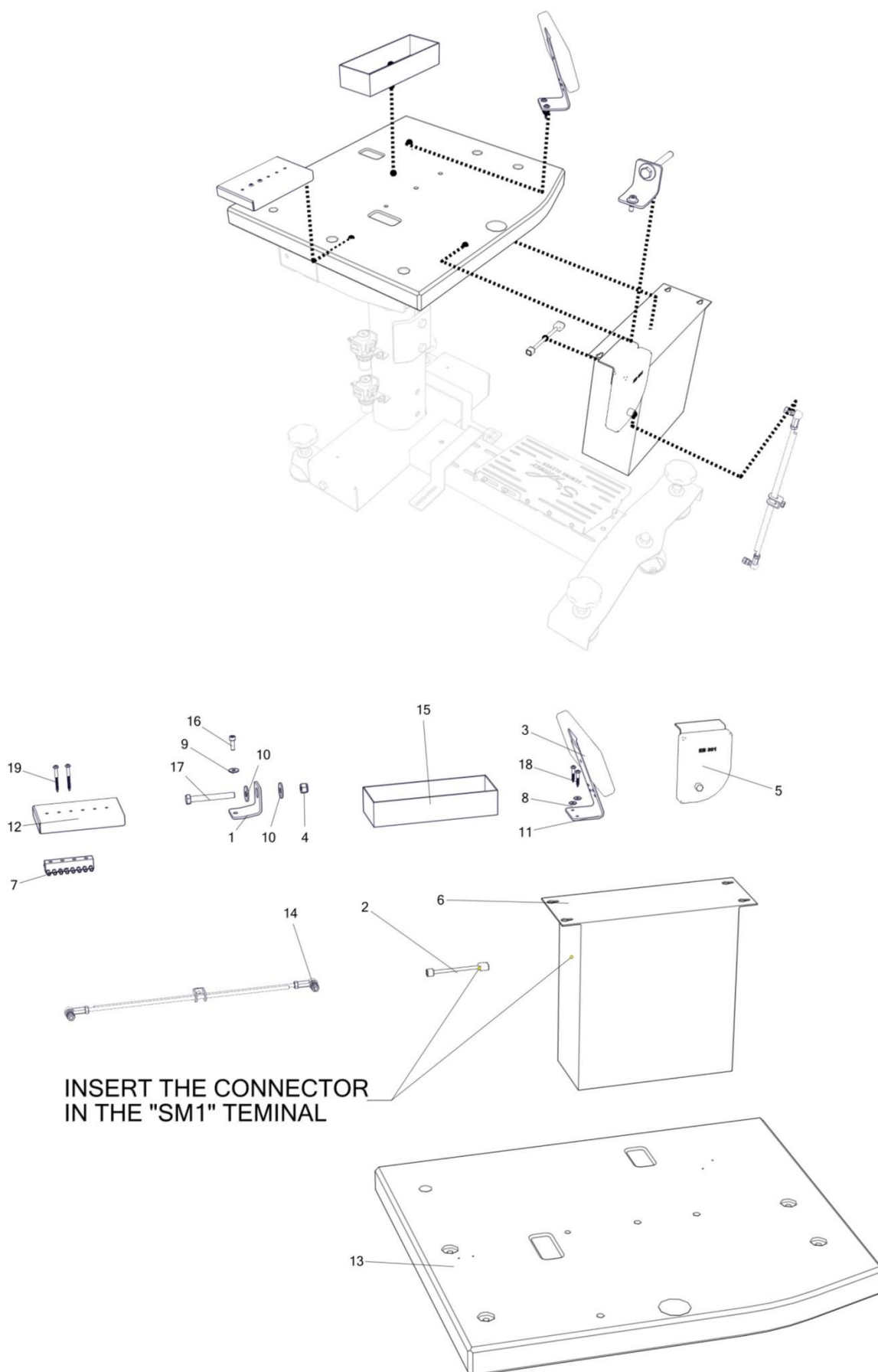
| ID BOM | CODE | DESCRIPTION | Q.TY |
|--------|---------------------|--|------|
| 1 | COM.001301 | BELT OMEGA HTD 480-8M 20 | 1 |
| 2 | COM.000674 | BELT MOTOR 187L 3/8" 075 | 1 |
| 3 | COM.000305 | BEARING 6905 DOUBLE SHIELD | 1 |
| 4 | DEABISO7040M6 | Hexagon Self Locking Nut with Plastic Insert ISO 7040 - M6 | 2 |
| 5 | DEABISO7040M8 | Hexagon Self Locking Nut with Plastic Insert ISO 7040 - M8 | 1 |
| 6 | COM.000309 | EFKA STEPPING MOTOR DC1550 | 1 |
| 7 | GEIPISO4026M5X5 | Hexagon Socket Set Screw with Flat Point ISO 4026 - M5X5 | 1 |
| 8 | GEIPISO4026M5X6 | Hexagon Socket Set Screw with Flat Point ISO 4026 - M5X6 | 2 |
| 9 | COM.000313 | PARALLEL KEY UNI6604 A 5X5X18 | 1 |
| 10 | RPISO70895 | Plain Washer - 5 | 4 |
| 11 | RPISO70896 | Plain Washer - 6 | 5 |
| 12 | RPLISO7093-6 | Large Plain Washer - 6 | 1 |
| 13 | RPLISO7093-8 | Large Plain Washer - 8 | 2 |
| 14 | SIP.P.000165 | BEARING SUPPORT PLATE | 1 |
| 15 | SIP.P.000166 | BASE PLATE MOTOR INTERFACE | 1 |
| 16 | SIP.P.000167 | BACK COVER CARTER | 1 |
| 17 | SIP.P.000186 | MODIFIED ROTOR HEAD SHAFT | 1 |
| 18 | SIP.P.000406 | BEARING SPACER | 1 |
| 19 | SIP.P.000407 | RUBBER PLATE | 1 |
| 20 | SIP.P.000422 | INTERNAL PIGNON | 1 |
| 21 | SIP.P.000474 | HEAD FIXATION ADAPTER | 2 |
| 22 | SIP.P.001002 | CARTER MOTOR | 1 |
| 23 | SIP.P.001018 | FIXING PLATE MOTOR | 1 |
| 24 | SIP.P.001608 | TOOTHED PULLEY HTD Z18 8M | 1 |
| 25 | SIP.P.001609 | TOOTHED PULLEY HTD Z18 8M | 1 |
| 26 | VS-GPPW1_4-40X4.5 | Special Screw W1/4-40 L=4.5 | 2 |
| 27 | VS-TCEIW10.95-16X26 | Special Screw 10.95-16 L=26 | 2 |
| 28 | VTCEIISO4762M5X12 | Hexagon Socket Head Cap Screw ISO 4762 - M5X12 | 3 |
| 29 | VTCEIISO4762M6X16 | Hexagon Socket Head Cap Screw ISO 4762 - M6X16 | 2 |
| 30 | VTCEIISO4762M6X25 | Hexagon Socket Head Cap Screw ISO 4762 - M6X25 | 6 |
| 31 | VTEISO4014M8X80 | Hexagon Bolt ISO 4014 M8X80 | 2 |
| 32 | VTSEIISO4762M6X70 | Hexagon Socket Countersunk Head Screw ISO 10642 - M6X70 | 1 |

MOTOR ASSEMBLY (OLD VERSION)



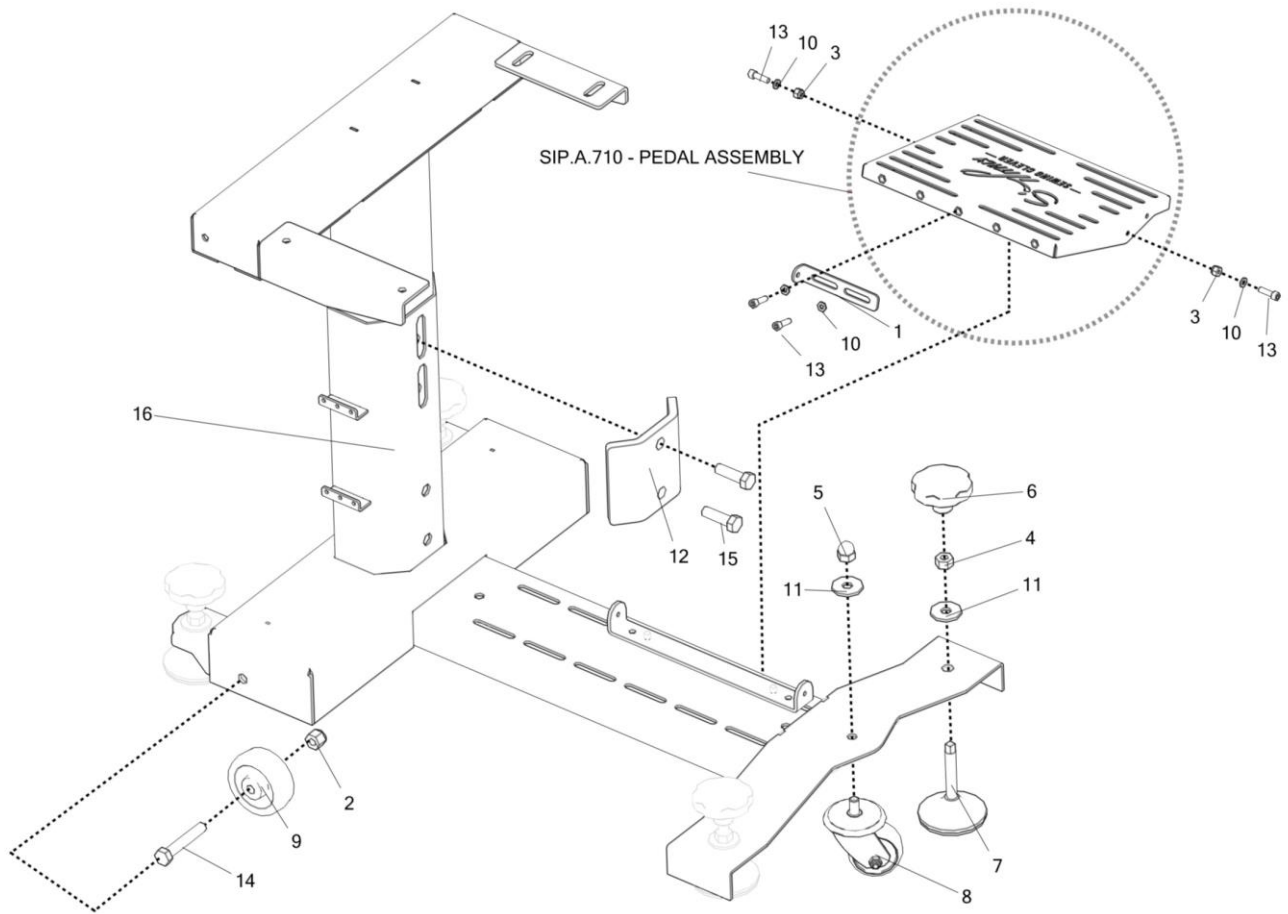
| ID BOM | CODE | DESCRIPTION | Q.TY |
|--------|---------------------|--|------|
| 1 | COM.001301 | BELT OMEGA HTD 480-8M 20 | 1 |
| 2 | COM.000674 | BELT MOTOR 187L 3/8" 075 | 1 |
| 3 | COM.000305 | BEARING 6905 DOUBLE SHIELD | 1 |
| 4 | DEABISO7040M6 | Hexagon Self Locking Nut with Plastic Insert ISO 7040 - M6 | 2 |
| 5 | DEABISO7040M8 | Hexagon Self Locking Nut with Plastic Insert ISO 7040 - M8 | 1 |
| 6 | COM.000309 | EFKA STEPPING MOTOR DC1550 | 1 |
| 7 | GEIPISO4026M5X5 | Hexagon Socket Set Screw with Flat Point ISO 4026 - M5X5 | 1 |
| 8 | GEIPISO4026M5X6 | Hexagon Socket Set Screw with Flat Point ISO 4026 - M5X6 | 2 |
| 9 | COM.000313 | PARALLEL KEY UNI6604 A 5X5X18 | 1 |
| 10 | RPISO70895 | Plain Washer - 5 | 4 |
| 11 | RPISO70896 | Plain Washer - 6 | 6 |
| 12 | RPLISO7093-5 | Large Plain Washer - 5 | 3 |
| 13 | RPLISO7093-6 | Large Plain Washer - 6 | 1 |
| 14 | RPLISO7093-8 | Large Plain Washer - 8 | 8 |
| 15 | SIP.P.000165 | BEARING SUPPORT PLATE | 1 |
| 16 | SIP.P.000166 | BASE PLATE MOTOR INTERFACE | 1 |
| 17 | SIP.P.000167 | BACK COVER CARTER | 1 |
| 18 | SIP.P.000186 | MODIFIED ROTOR HEAD SHAFT | 1 |
| 19 | SIP.P.000406 | BEARING SPACER | 1 |
| 20 | SIP.P.000407 | RUBBER PLATE | 1 |
| 21 | SIP.P.000422 | INTERNAL PIGNON | 1 |
| 22 | SIP.P.000474 | HEAD FIXATION ADAPTER | 2 |
| 23 | SIP.P.000965 | MOTOR BRACKET | 1 |
| 24 | SIP.P.000966 | M5 MOTOR PLUG | 1 |
| 25 | SIP.P.001002 | CARTER MOTOR | 1 |
| 26 | SIP.P.001018 | FIXING PLATE MOTOR | 1 |
| 27 | SIP.P.001608 | TOOTHED PULLEY HTD Z18 8M | 1 |
| 28 | SIP.P.001609 | TOOTHED PULLEY HTD Z18 8M | 1 |
| 29 | VS-GPPW1_4-40X4.5 | Special Screw W1/4-40 L=4.5 | 2 |
| 30 | VS-TCEIW10.95-16X26 | Special Screw 10.95-16 L=26 | 2 |
| 31 | VTCEIISO4762M5X12 | Hexagon Socket Head Cap Screw ISO 4762 - M5X12 | 3 |
| 32 | VTCEIISO4762M5X16 | Hexagon Socket Head Cap Screw ISO 4762 - M5X16 | 1 |
| 33 | VTCEIISO4762M6X16 | Hexagon Socket Head Cap Screw ISO 4762 - M6X16 | 2 |
| 34 | VTCEIISO4762M6X20 | Hexagon Socket Head Cap Screw ISO 4762 - M6X20 | 1 |
| 35 | VTCEIISO4762M6X25 | Hexagon Socket Head Cap Screw ISO 4762 - M6X25 | 6 |
| 36 | VTEISO4014M8X80 | Hexagon Bolt ISO 4014 M8X80 | 2 |
| 37 | VTSEIISO4762M6X70 | Hexagon Socket Countersunk Head Screw ISO 10642 - M6X70 | 1 |

TAV.9. TABLE ACCESSORIES



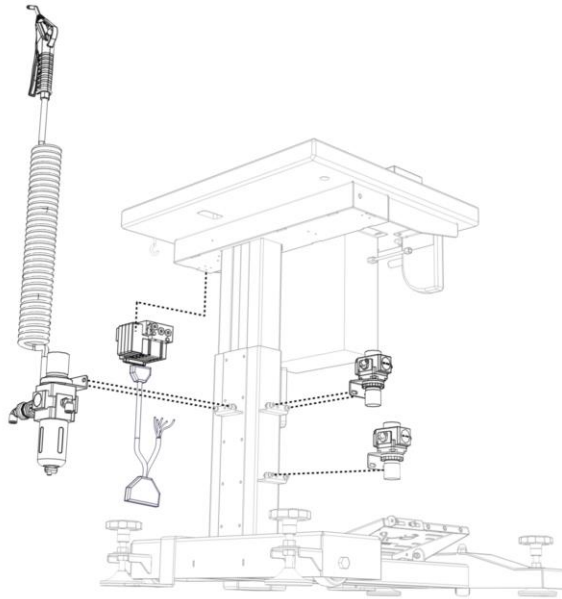
| ID BOM | CODE | DESCRIPTION | Q.TY |
|--------|--------------------|--|------|
| 1 | 105337001 | CUSHION ASSY | 1 |
| 2 | COM.001461 | CABLE STEP MOTOR FoA CV-PP80 | 1 |
| 3 | COM.000543 | DISPLAY VARIOCONTROL V820 | 1 |
| 4 | DEABISO7040M8 | Hexagon Self Locking Nut with Plastic Insert ISO 7040 - M8 | 1 |
| 5 | COM.000544 | MOTOR CONTROL | 1 |
| 6 | COM.000537 | CONTROL UNIT AB425S | 1 |
| 7 | COM.000916 | TERMINAL BLOCK 8pz | 1 |
| 8 | RPLISO7093-4 | Large Plain Washer - 4 | 4 |
| 9 | RPLISO7093-6 | Large Plain Washer - 6 | 1 |
| 10 | RPLISO7093-8 | Large Plain Washer - 8 | 2 |
| 11 | SIP.P.000505 | DISPLAY BRACKET | 1 |
| 12 | SIP.P.000633 | CONNECTOR COVER | 1 |
| 13 | COM.000570 | TABLE BROTHER DA9280 | 1 |
| 14 | COM.000589 | CONNECTING ROD ASSEMBLY | 1 |
| 15 | COM.001468 | BATH 200X70X40 GREEN | 1 |
| 16 | VTCEISO4762M5X16 | Hexagon Socket Head Cap Screw ISO 4762 - M5X16 | 4 |
| 17 | VTEISO4017M8X70 | Hexagon Screw ISO 4017 - M8X70 | 1 |
| 18 | VLST-ZDIN7996-4X25 | Wood Screw DIN7996 4x25 | 2 |
| 19 | VLST-ZDIN7996-4X40 | Wood Screw DIN7996 4x40 | 7 |

TAV.10.STAND ASSEMBLY

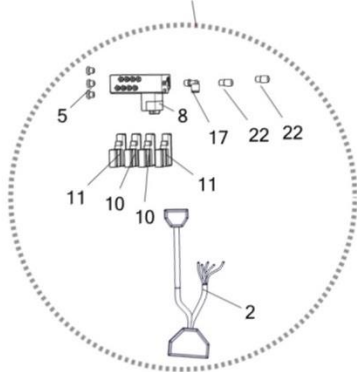


| ID BOM | CODE | DESCRIPTION | Q.TY |
|--------|------------------|---|------|
| 1 | SIP.P.002480 | CONNECTION ROD BRACKET | 1 |
| 2 | DEABISO7040M12 | Hexagon Self Locking Nut with Plastic Insert ISO 7040 - M12 | 2 |
| 3 | DEABISO7040M6 | Hexagon Self Locking Nut with Plastic Insert ISO 7040 - M6 | 2 |
| 4 | DEISO4032M12 | Hexagon Nut ISO 4032 - M12 | 4 |
| 5 | DCS UNI5721 M12 | DOMED CAP NUT | 1 |
| 6 | COM.000584 | SIX LOBE KNOB M12 D70 | 4 |
| 7 | COM.000602 | DUMPENING ELEMENT D80 M12X75 - 28000Z | 4 |
| 8 | COM.000580 | PIVOTING WHEEL D56 WITH PIN M10 | 1 |
| 9 | COM.000579 | NYLON SINGLE WHEEL D80 | 2 |
| 10 | RPISO70896 | Plain Washer - 6 | 4 |
| 11 | RPLISO7093-12 | Large Plain Washer - 12 | 6 |
| 12 | SIP.P.002042 | STAND HOLDING BRACKET | 1 |
| 13 | VTCEISO4762M6X20 | Hexagon Socket Head Cap Screw ISO 4762 - M6X20 | 2 |
| 14 | VTEISO4014M12X70 | Hexagon Bolt ISO 4014 M12X70 | 2 |
| 15 | VTEISO4017M12X40 | Hexagon Screw ISO 4017 - M12X40 | 3 |
| 16 | SIP.A.000576 | STAND SINGLE COLUMN ASSEMBLY | 1 |

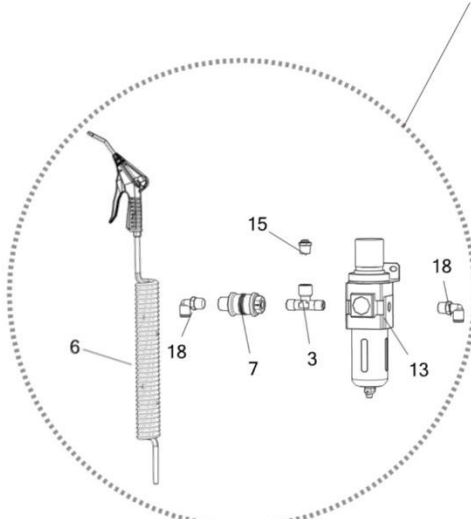
TAV.11.AIR GROUP



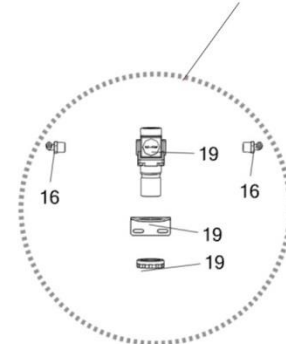
SIP.A.000494 - FOA MANIFOLD ASSY



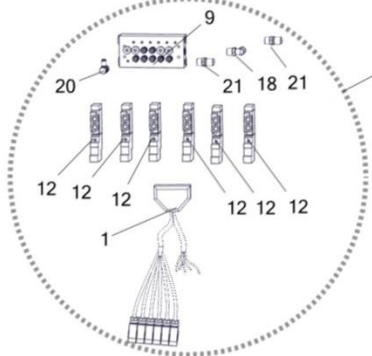
SIP.A.000042 - AIR FILTER ASSEMBLY



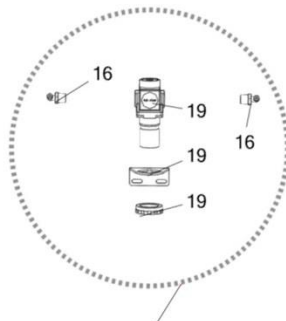
SIP.A.000041 - AIR REGULATOR ASSEMBLY



SIP.A.000043 - OLD VERSION MANIFOLD











SIP.A.000041 - AIR REGULATOR ASSEMBLY



| ID BOM | CODE | DESCRIPTION | Q.TY |
|--------|--------------|-------------------------------------|------|
| 1 | SIP.A.000109 | SOLENOID VALVE CABLING CV-9280 | 1 |
| 2 | COM.001537 | SOLENOID VALVE CABLING CV-9280.2 | 1 |
| 3 | COM.000343 | TEE MFM 1/4 1/4 | 1 |
| 4 | COM.000426 | PN - CAP DIN908 1/4" | 2 |
| 5 | COM.000427 | PN - CAP DIN908 1/8" | 3 |
| 6 | COM.000448 | KIT AIR HOSE D6 WITH AIR GUN | 1 |
| 7 | COM.000430 | PN - SLIDING VALVE 1/4" | 1 |
| 8 | COM.001540 | MANIFOLD SS5Y3-50F1-04B-C4F | 1 |
| 9 | COM.000588 | SMC BASE MANIFOLD SS5Y5-20-06-00F-Q | 1 |
| 10 | COM.001354 | SMC SOLENOID VALVE SY3100-5U1 | 2 |
| 11 | COM.001355 | SMC SOLENOID VALVE SY3A00-5U1 | 2 |
| 12 | COM.000328 | SOLENOID VALVE SY5120-5YO-01F-Q | 6 |
| 13 | COM.000342 | AIR REGULATOR AW30-F02BE-B | 1 |
| 14 | COM.000333 | FITTING KQ2H04-01AS | 7 |
| 15 | COM.000344 | FITTING KQ2H06-02AS | 1 |
| 16 | COM.000336 | FITTING KQ2L04-02AS | 2 |
| 17 | COM.000337 | FITTING KQ2L08-01AS | 1 |
| 18 | COM.000329 | FITTING KQ2L08-02AS | 2 |
| 19 | COM.000735 | AIR REGULATOR AR20K-F02BE-B-X406 | 1 |
| 20 | COM.000383 | FLOW REGULATOR AS2201F-01-04SA | 1 |
| 21 | COM.000419 | MUFFLER 1/4" | 2 |
| 22 | COM.000418 | MUFFLER 1/8" | 2 |

TAV.12.NEEDLE GAUGE OPTION

| | | 5,6mm[7/32] | 6,4mm[1/4] | 6,4mm[1/4] | 8,0mm[5/16] | 9,6mm[3/8] | 4,8mm[3/16] |
|-------------------|---|--|--|--|--|--|--|
| NO. OF NEEDLES | | 2/3 | 2/3 | 2/3 | 2/3 | 2/3 | 2 |
| NEEDLE WITH SCREW |  | 183952-001 | 181716-001 | 181716-001 | 181723-001 | 181722-001 | 183954-001 |
| NEEDLE PLATE |  | S40790-001 | S13042-001 | S13042-001 | S40787-001 | S40783-001 | 159583-001 |
| PRESSER FOOT ASSY |  | S40788-001 | S40386-001 | S40386-001 | S40785-001 | S40781-001 | 159584-201 |
| FEED DOG |  | S13045-101 | S13045-101 | S13045-101 | S40784-001 | S40784-001 | 159588-001 |
| LAPPER ASSY |  | FOLDERFOA7-32H FOLDERFOA7-32M FOLDERFOA7-32L FOLDERFOA7-32H-R FOLDERFOA7-32M-R FOLDERFOA7-32L-R | FOLDERFOA1-4H FOLDERFOA1-4M FOLDERFOA1-4L FOLDERFOA1-4H-R FOLDERFOA1-4M-R FOLDERFOA1-4L-R | FOLDERFOA1-4H FOLDERFOA1-4M FOLDERFOA1-4L FOLDERFOA1-4H-R FOLDERFOA1-4M-R FOLDERFOA1-4L-R | FOLDERFOA5-16H FOLDERFOA5-16M FOLDERFOA5-16L FOLDERFOA5-16H-R FOLDERFOA5-16M-R FOLDERFOA5-16L-R | FOLDERFOA3-8H FOLDERFOA3-8M FOLDERFOA3-8L FOLDERFOA3-8H-R FOLDERFOA3-8M-R FOLDERFOA3-8L-R | FOLDERFOA3-16H FOLDERFOA3-16M FOLDERFOA3-16L FOLDERFOA3-16H-R FOLDERFOA3-16M-R FOLDERFOA3-16L-R |
| LOOPER (S) |  | S40375-001 | S40375-001 | S40375-001 | S40395-001 | S40395-001 | S40375-001 |
| LOOPER (M) |  | S40376-001 | S40376-001 | S40376-001 | S40376-001 | S40376-001 | / |
| LOOPER (L) |  | S40377-001 | S40377-001 | S40377-001 | S40396-001 | S40396-001 | S40377-001 |